

ASTRO FIGHTER

Gremlin[®]/SEGA[®]

MANUAL PART NO. 420-0410
or
420-0411

OWNER'S MANUAL

ASTRO FIGHTER
OPERATING INSTRUCTIONS
AND
SERVICE MANUAL

INTRODUCTION . . .

This is an electronic game that makes extensive use of digital integrated circuitry and television monitor circuitry. This manual assumes the maintenance technician possesses a general knowledge of solid state circuitry microprocessor, TTL digital integrated circuitry and T.V. monitor concepts. Any individual **not** knowledgeable in these areas **should not** attempt repair of the electronic portion of this game. **It should be noted that any attempt to repair the game in the field without the express consent of the factory will immediately void the warranty!!!**

IMPORTANT NOTES . . .

An important service note is posted in this game and is repeated here for emphasis:

If at any time the T.V. screen shows a meaningless display or the game otherwise malfunctions, simply drop a coin into the coin mechanism. This should correct the problem. If not, the game requires service.

The circuitry in this game has been arranged so that the insertion of a quarter through the coin mechanism will reset the restart in the system. This clears up temporary problems caused by power line disturbances, static, etc.

SERVICE TECHNICIAN NOTE:

The system reset circuitry described above requires that the coin counter is attached to the system. If there is a coin counter problem and no replacement is available, the game will function properly if a 10K Ohm resistor is connected across the coin counter input pins to the video logic board.

ALSO . . .

Never replace any components with anything other than exact replacement parts. (See Parts List located on Service Schematics.)

Never remove circuit boards/connections while power is on.

Do Not replace the fuse with anything other than the proper value. A blown fuse indicates an overload condition within the game. Replacing the fuse with a higher value can cause severe damage to internal components if an overload occurs.

Always consult the manual before attempting repairs.

Correspondence regarding this game should be addressed to:

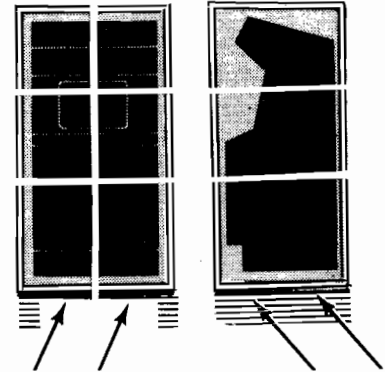
GREMLIN INDUSTRIES, INC.
8401 Aero Drive
San Diego, California 92123
(714) 277-8700

REPACKAGING INSTRUCTIONS . . .

Arcade
25 1/4" W x 67" H x 28" D
64.77cm W x 170.18cm H x 71.12cm D
290 lbs./132 kg.

Arcade Version

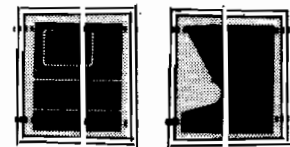
1. Carefully lay game on its side.
2. Attach pallet with **four** 5/16" - 18 x 1-3/4" bolts, as shown.
3. See Final Reccrating Instructions, below.



Mini-Video Version

1. Place game upright inside bottom cover.
2. Slide cover over game. Add protective packing material.
3. Place top cover over side cover.
4. See Final Reccrating Instructions, below.

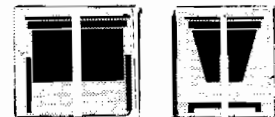
MiniVideo
22" H x 21" W x 20" D
55.88cm H x 53.34cm W x 50.8cm D
80 lbs./36 kg.



Cocktail Version

1. Place game inside carton.
2. Add protective packing material.
3. Place inside protective top cover over unit.
4. Close flaps and secure with shipping tape.
5. See Final Reccrating Instructions, below.

Cocktail
22" W x 34" L x 24 1/4" H
55.88cm W x 93.98cm L x 62.23cm H
80 lb./36 kg.



FINAL RECCRATING INSTRUCTIONS . . .

Place game upright. Tape down game keys. Then, crate the game using appropriate shock-absorbent packing material. Include packing on edges of game. **Secure package with strapping.**

Note . . . If the game is to be shipped to Gremlin Industries for service or repair, attach a tag identifying the distributor and indicate the service or repair to be done. Include the full serial number of the game.

All items must be shipped prepaid.

GAME CONCEPT...

ASTRO FIGHTER is a 1 or 2 player game of space adventure. Two players may take turns, competing for high score. The player's warship faces meteor showers and four lines of enemy defense forces in an effort to reach THE MASTER and destroy it. Besides the challenges to fighting ability, the player's warship has an expendable supply of fuel that must last through the fight with THE MASTER. Two player controls are provided: a joystick enables the player to maneuver his warship from side to side; and a missile firing button.

The play begins with your warship at the bottom of the screen facing a barrage of yellow meteors that will destroy your warship, if hit. All action appears from the top of the screen and descends to the bottom throughout the game.

You are given a full supply of fuel in the beginning of play. This supply will steadily be consumed as you play and you must defeat THE MASTER before you can refuel. You will want to watch this gauge carefully throughout the game; a blue line will show your present fuel condition at all times.

After the initial meteor shower, you will face 11 enemy warships. They will appear in a pyramid formation with the wide row emerging from the top of the screen first. The enemy will move from side to side and is capable of firing not only straight ahead, but to its left and right. As you destroy the enemy ships, the action of the remainder is intensified.

If an enemy warship gets past you and reaches the bottom of the screen, regardless of how many previous warships, or formations, you have destroyed, the original group of defenders will reappear and your warship will be advanced one step closer to the enemy. Essentially, you will begin again, only closer, and you will have used precious fuel in the meantime.

After you have conquered the first formation of enemy warships, you will face a new formation of 12 warships, staggered six across and two deep.

After defeating the second formation, you will face a force of 12 warships that are not in a formation, but are randomly scattered in front of you.

Following the victory of having blasted away the third line of defenses, you will now face 15 enemy warships, five across and three deep, in your efforts to reach THE MASTER and defeat it. The vertical columns of this defense force will be varied in their distance to your warship.

If you succeed in defeating all 15 of the enemy warships, you are now ready to meet, and destroy, THE MASTER.

A pattern will emerge on the screen resembling a corridor that your warship is traveling along. The stars will become brighter and THE MASTER will appear. THE MASTER's body will expand and contract as it moves across the screen, back and forth, while firing vicious missiles at you. THE MASTER's missiles are random and may be fired in any direction.

THE MASTER can only be defeated by a direct hit in the eye. This is the only way you can destroy THE MASTER.

When you have destroyed THE MASTER, a fuel pipe will link-up with your warship and your supply will, again, be full. You are now ready for more combat in your efforts to, once again, seek and destroy THE MASTER. But, beware...the meteor showers and enemy action are now intensified and your challenge is more difficult.

Throughout the play, a watchful eye must be kept on your fuel gauge. If your supply is exhausted at any time before you destroy THE MASTER...your warship will explode!

Player 1 and player 2 scores are displayed at the top of the screen and the high score from past games will be displayed.

The operator may select the number of credits per coin. In addition, the operator may enable the one-player, or two-player switch, located inside the unit.

OPTIONS SELECT AND SOUND CONTROL ADJUSTMENTS

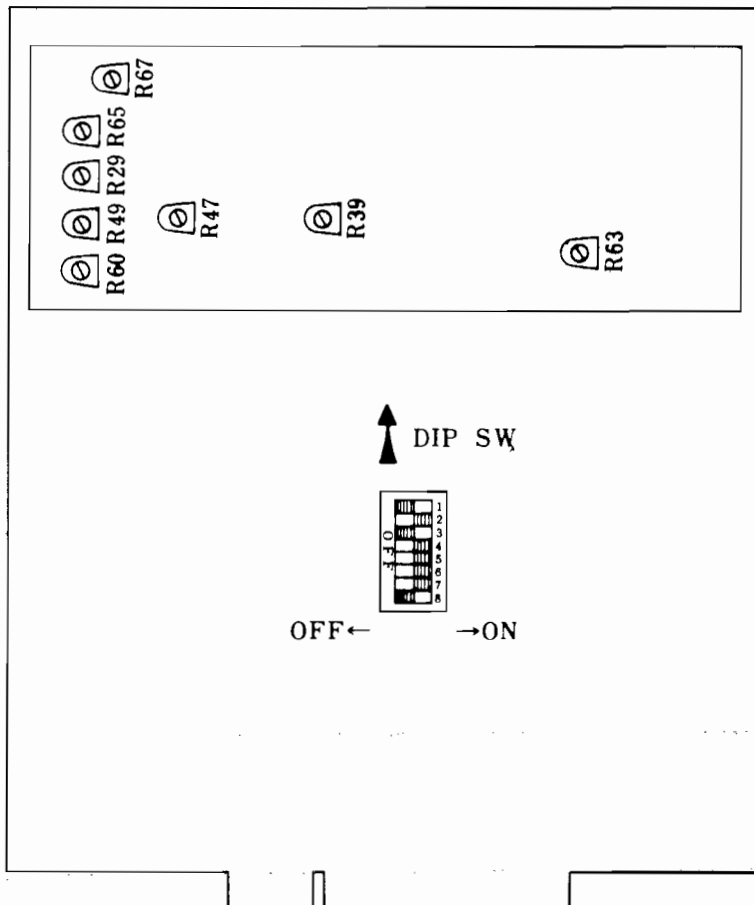
DIP Switch No.

- 1 Not Used
- 2 ON BONUS awarded for each row eliminated
 OFF BONUS awarded after formation eliminated
- 3 ON No Replay
 OFF Replay

4	OFF	ON	OFF	ON
5	OFF	OFF	ON	ON
		1COIN·1PLAY	2COIN·1PLAY	1COIN·2PLAY

6	OFF	OFF	ON	ON
7	OFF	ON	OFF	ON
	9 JUMP	7 JUMP	5 JUMP	3 JUMP

- 8 On Upright or Mini-Video model
 OFF Cocktail or Slimline model



SOUND ADJUSTMENTS

- R29 Explosion Sound
- R39 Firing Sound
- R49 Master's Dying Sound
- R60 Firing Decay
- R63 Music Sound
- R65 High Pitch Tone Control
- R67 Main Volume Control
- R47 Factory Adjusted...Do Not Set

Cremitt Industries, Inc. San Diego, California 92123		PARTS LIST		TITLE ASSY HARNESS MASTER A F		800-3010 DWG NO		SH 1 OF 3		A REV	
		DRAWN MAHONEY		DRAFT		CHECK		APPR			
		CHECK <i>Sh...</i>		REVISION DESCRIPTION		DRAFT J.M.		CHECK <i>SP</i>		APPR <i>SP</i>	
LTR A		DATE 2-6-80		REVISION DESCRIPTION		DRAFT J.M.		CHECK <i>SP</i>		APPR <i>SP</i>	
		RELEASED									

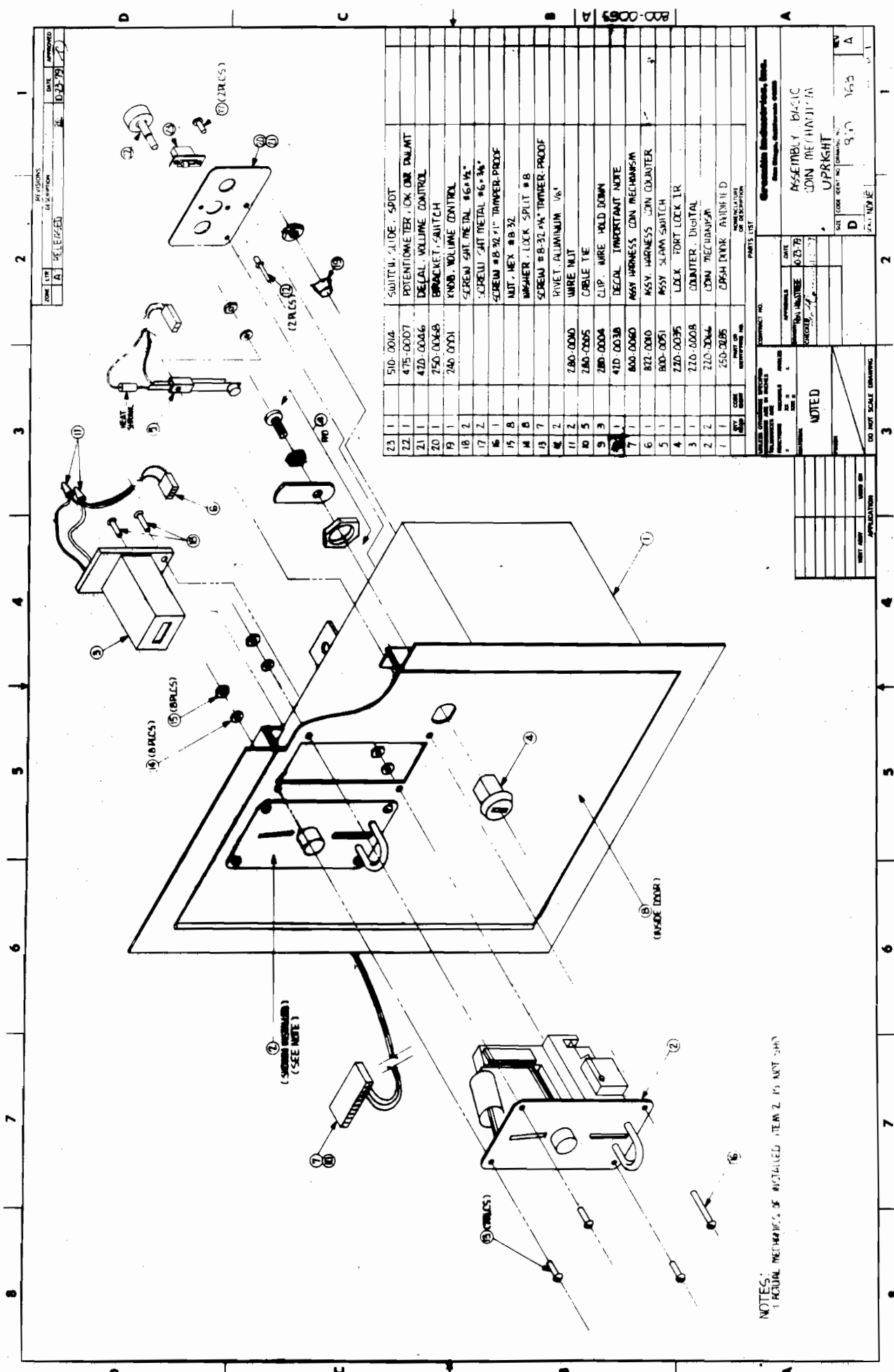
Gremlin Industries, Inc. San Diego, California 92123		PARTS LIST	TITLE TOP ASSEMBLY ASTRO FIGHTER, ENG WG	700-0006 DWG NO	SH 1 OF 2	A REV
USE WITH 700-0005 FOR FINAL ASSEMBLY		DRAWN Ron Krawiec	ENGR			
		CHECK <i>[Signature]</i>	APPR			
LTR A	DATE 2-11-80	REVISION DESCRIPTION 2-8-80 RELEASED	DRAFT KAL	CHECK <i>[Signature]</i>	APPR <i>[Signature]</i>	
		REFER TO HEXAGON CALL-OUTS ON 700-0005 FOR LOCATION OF PARTS LISTED HERE.	<i>[Signature]</i>			

Gremlin Industries, Inc. San Diego, California 92123		PARTS LIST		TITLE ASSY-GAME ASTRO FIGHTER COCKTAIL (ENGLISH)		700-0007		SH 1 OF 5		A REV	
SHT 4, 5 ARE "D" SIZE		DRAWN Wynne 2-12-80		ENGR		DWG NO					
		CHECK [Signature] 2-17-80		APPR							
LTR	DATE	REVISION DESCRIPTION		DRAFT	CHECK	APPR					
A	2-19-80	RELEASED		WJB	[Signature]						

Gremlin Industries, Inc. San Diego, California 92123		PARTS LIST		TITLE ASSY - GAME ASTRO FIGHTER COCKTAIL (ENGLISH)		700-0007		SH 2 OF 5		A REV	
ITEM NO	PART NO	QTY PER ASSY			DESCRIPTION	REF DES					
1	253-0141	2			GRAPHIC CONT PANEL						
2	253-0142	1			GRAPHIC GAME SELECT						
3	280-0075	6			NUT WIRE LG.						
4	420-0370	1			DECAL COIN ENTRY						
5	420-0371	1			DECAL COIN INFO						
6	420-0404	2			TABLE GRAPHIC						
7	420-0411				MANUAL ASTRO FIGHTER	(COCKTAIL)					
8	478-0001	1			THERMISTER						
9	560-0046	1			ISOLATION XFMR						
10	800-0072	1			ASSY POWER SUPPLY						
11	800-3022	1			ASSY MASTER HARNESS						
12	800-3023	1			ASSY POWER HARNESS						
13	800-3024	1			ASSY HARN VOL CONT						
14	800-3026	1			ASSY FUSE BLOCK						
15	800-3027	1			ASSY GROUND STRAP						
16	800-3028	1			ASSY EMI HARN						
17	807-0010	1			ASSY HARNESS SPEAKER						
18	834-0010	1			ASSY SPECIAL DUAL JAPAN						
19	834-5000	1			ASSY GAME ELECTRONICS	(SEGA)					
20	600-0001	1			CORD, LINE, 3 COND						
21		8			SCREW PHL. PN. HD. 6x1/2 SH. MTL.						
22		6			SCREW PHI PN. HD. 8x1/2 SH. MTL.						

ITEM NO	PART NO	QTY PER ASSY	DESCRIPTION	REF DES
1	800-3026	1	ASSY FUSE BLOCK	
2	834-5000	1	ASSY GAME ELECTRONICS	
3	560-0046	1	ISOLATION XFMR	
4	800-3031	1	ASSY VOL CONT BLOCK	
5	250-0048	1	CLIP SWITCH	
6	800-0072	1	ASSY PWR SUPPLY DUAL	
7	478-0001	1	THERMISTOR	
8	253-0150	2	CONTROL PANEL GRAPHIC	
9	834-0013	1	SLIMLINE CABINET (NO ELECT)	
10	253-0151	1	GRAPHIC COIN INFO	
11	420-0421	2	TABLE GRAPHIC	
12	253-0149	1	GRAPHIC GAME SELECT	
13	252-0078	1	SUPPORT BLOCK REAR A/F UPRIGHT	
14	252-0079	1	SUPPORT BLOCK FRONT A/F UPRIGHT	
15	140-0047	1	GAME BASE, SLIMLINE	
16	252-0081	2	MTG. BLOCK	
17	252-0082	2	BLK STNDFF ISOLATION XFMR	
18	252-0083	3	PWR SUPPLY MTG. BLOCK	
19	280-0004	12	CLIP, WIRE HOLD DOWN	
20		4	#6 x 1/2" PAN HD. SHI. MTL. SCREW	
21		6	#8 x 1" FLAT HD. WOOD SCREW	
22		7	#8 x 1" PAN HD. SHI. MTL. SCREW	
23		3	#10 x 1 3/4" FLT. HD. WOOD SCREW	
24		2	#10 x 1/2" PAN HD. SHI. MTL. SCREW	
25		4	#8 FLAT WASHER	

Gremlin Industries, Inc. San Diego, California 92123		PARTS LIST	TITLE TOP ASSY. GAME, ASTRO FIGHTER SLIMLINE	700-0008 DWG NO	SH 1 OF 6	A REV
SHTS. 4-6 ARE "D" SIZE		DRAWN MAHDNEY	ENGR			
		CHECK <i>[Signature]</i>	APPR			
LTR	DATE	REVISION DESCRIPTION		DRAFT	CHECK	APPR
A	3-3-80	RELEASED		J.M.	<i>[Signature]</i>	<i>[Signature]</i>



QTY	CODE	DESCRIPTION	QTY	DESCRIPTION
23	1	510-0004	SWITCH, SLIDE, SPDT	
22	1	475-0007	POTENTIOMETER, LOCK ONE DIAL	
21	1	410-0046	DECAL, VOLUME CONTROL	
20	1	750-0068	BRACKET, SWITCH	
19	1	740-0001	KNOB, VOLUME CONTROL	
18	2		SCREW, SAT METAL #6 x 1/2"	
17	2		SCREW #8-32 1/2" TAMPER-PROOF	
16	1		NUT, HEX #8-32	
15	8		WASHER, LOCK SPLIT #8	
14	8		SCREW #8-32 1/4" TAMPER-PROOF	
13	7		PIVET, ALUMINUM 1/8"	
12	2	280-0000	WIRE NUT	
11	2	280-0005	CABLE TIE	
10	5	280-0004	CLIP, WIRE HOLD DOWN	
9	9	410-0038	DECAL, IMPORTANT NOTE	
8	1	800-0060	ASSY. HARNESS, CON. MECHANISM	
7	1	800-0051	ASSY. HARNESS, CON. COUNTER	
6	1	800-0050	ASSY. SLAM SWITCH	
5	1	220-0036	LOCK, PORT LOCK IR	
4	1	220-0008	COUNTER, DIGITAL	
3	1	220-0064	CON. MECHANISM	
2	2	250-0085	CRASH PINK, ANTIM H D	
1	1		NAME PLATE OF DESCRIPTION	

REVISIONS

DATE	APPROVED
10/23/78	[Signature]

CONTRACT NO. [Blank]
DATE 10/23/78
ISSUED BY [Blank]
REVISED BY [Blank]
REVISIONS

NOTED

DO NOT SCALE DRAWING

ASSEMBLY BASIC
CON. MECHANISM
UPRIGHT

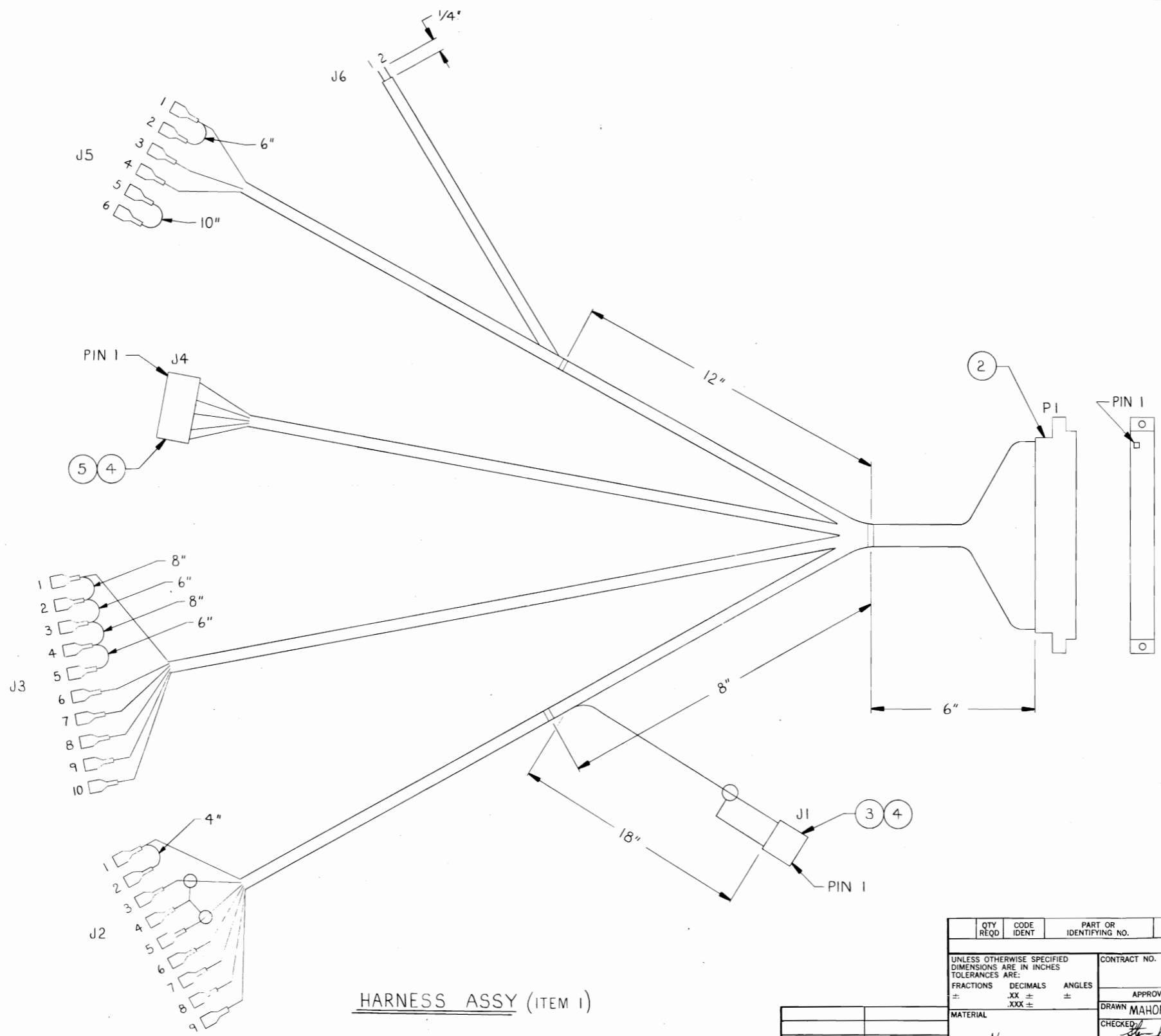
REV 1
DATE 10/23/78
BY [Blank]

NOTES:
 1. MECHANICAL MECHANISMS OF SWITCHED ITEM 2 IS NOT SHOWN

NOTES:

1. SECURE HARNESS USING ITEM 8, APPROX EVERY 6 INCHES.

REVISIONS				
ZONE	LTR	DESCRIPTION	DATE	APPROVED
A		RELEASED	2-8-80	<i>[Signature]</i>



NO.	WIRE FROM	TO	COLOR	INCH
47	J5-5	J5-6	JUMPER	10
46	J2-4	J1-1	SHLD. CA. GND	42
45	J2-5	J1-4	SHLD. CA. WHT	42
44	PI-22			
43	PI-21			
42	PI-20			
41	PI-19			
40	PI-18	J2-9	WHT/VIO	60
39	PI-17			
38	PI-16			
37	PI-15			
36	PI-14			
35	PI-13			
34	PI-12			
33	PI-11			
32	PI-10			
31	PI-9	J2-5	WHT/BLU	60
30	PI-8	J5-3	WHT/GRN	60
29	PI-7	J2-4	SHLD. CA. GND	42
28	PI-6	J4-8	BLK	20
27	PI-5	J4-5	BLU	20
26	PI-4	J4-1	RED	20
25	PI-3			
24	PI-2			
23	PI-1	J2-1,2 J5-4	BLK	60
22	PI-Z	J6-2	WHT/YEL	47
21	PI-Y	J6-1	WHT/ORN	47
20	PI-X			
19	PI-W			
18	PI-V	J2-6	WHT/RED	60
17	PI-U	PI-R	JUMPER	2
16	PI-T	PI-P	JUMPER	2
15	PI-S	PI-N	JUMPER	2
14	PI-R	J3-10	WHT/BRN	65
13	PI-P	J3-9	WHT/BLK	58
12	PI-N	J3-8	GRY	59
11	PI-M	J3-7	VIO	66
10	PI-L	J3-6	YEL	61
9	PI-K	J2-7	ORN	60
8	PI-J	J5-1,2	BRN	60
7	PI-H	J2-3	SHLD. CA. WHT	42
6	PI-F	J4-7	WHT	20
5	PI-E	J4-3	GRN	20
4	PI-D			
3	PI-C			
2	PI-B			
1	PI-A	J3-1,2,3,4,5	BLK	62

WIRE LIST

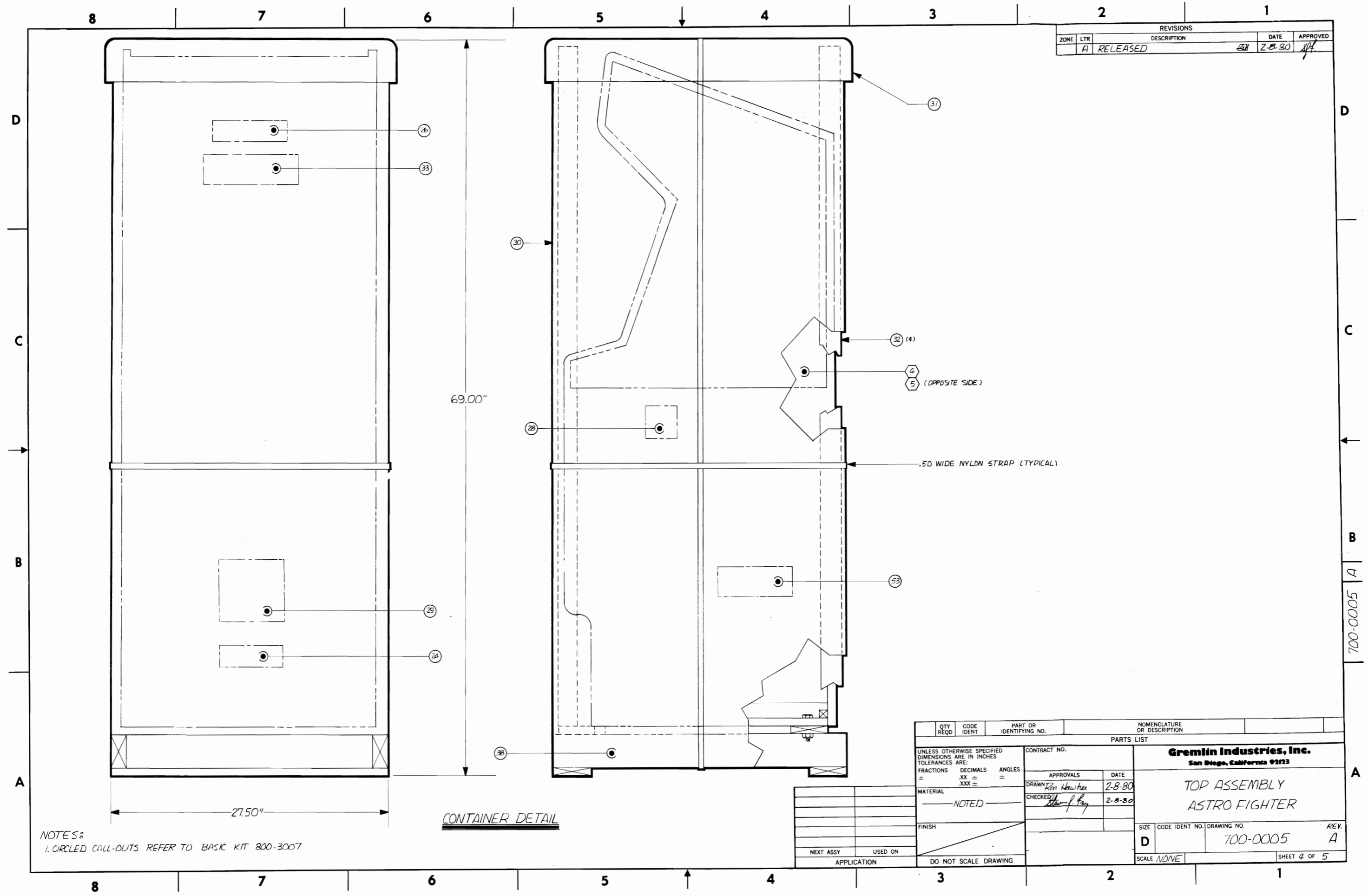
HARNESS ASSY (ITEM 1)

QTY REQD	CODE IDENT	PART OR IDENTIFYING NO.	NOMENCLATURE OR DESCRIPTION

PARTS LIST		CONTRACT NO.		Grenin Industries, Inc. San Diego, California 92123	
UNLESS OTHERWISE SPECIFIED DIMENSIONS ARE IN INCHES TOLERANCES ARE: FRACTIONS .XX ± DECIMALS .XXX ± ANGLES ±		APPROVALS		DATE	
MATERIAL NOTED		DRAWN MAHONEY		2-6-80	
FINISH		CHECKED <i>[Signature]</i>		2-8-80	
NEXT ASSY USED ON		SIZE		CODE IDENT NO. DRAWING NO.	
APPLICATION		D		800-3010	
DO NOT SCALE DRAWING		SCALE NONE		REV. A	
				SHEET 3 OF 3	

800-3010

REVISIONS				
ZONE	LTR	DESCRIPTION	DATE	APPROVED
	A	RELEASED	2-8-80	[Signature]



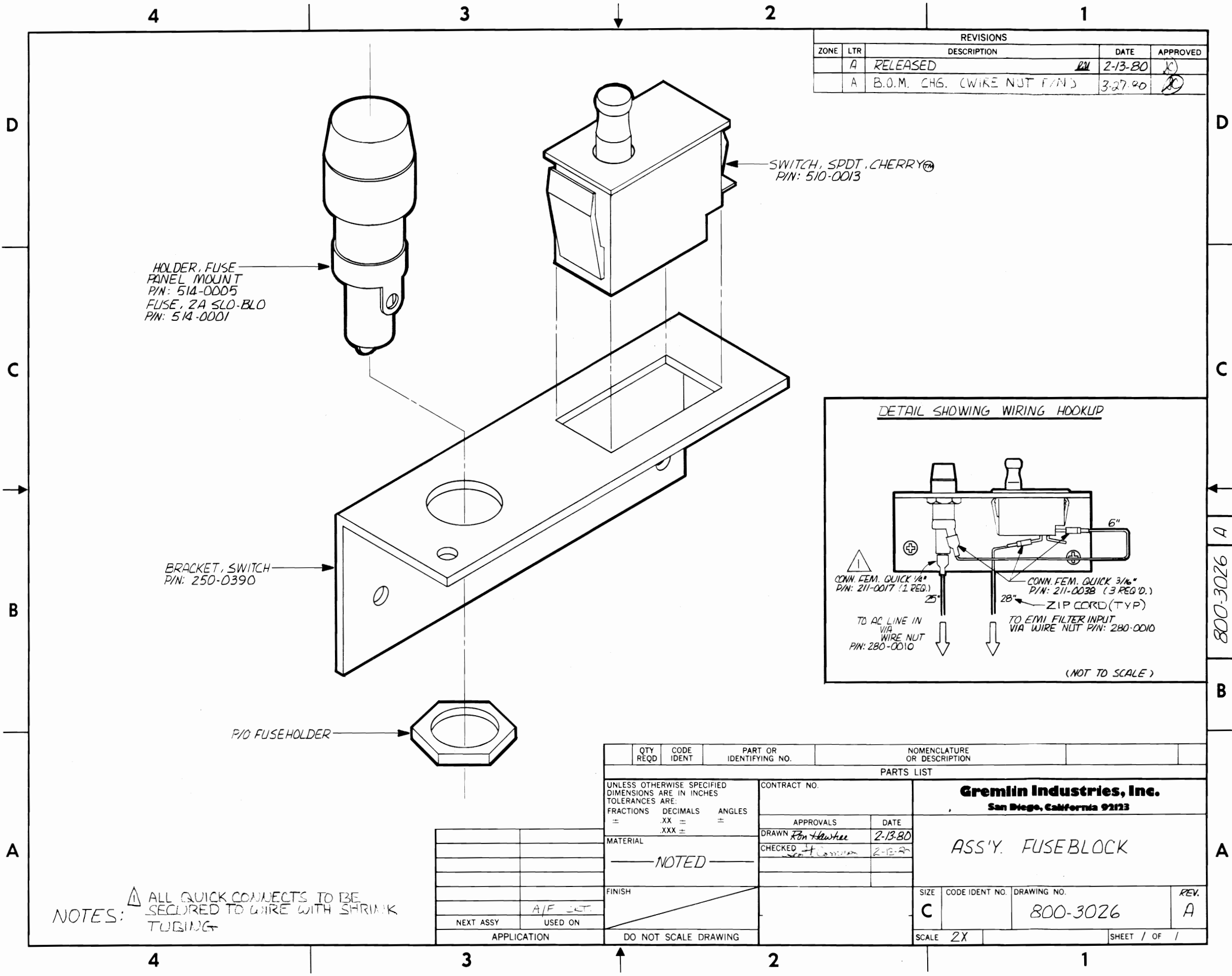
CONTAINER DETAIL

NOTES:
1. CIRCLED CALL-OUTS REFER TO BASIC KIT 800-3007

QTY REQD	CODE IDENT	PART OR IDENTIFYING NO.	NOMENCLATURE OR DESCRIPTION	
PARTS LIST				
UNLESS OTHERWISE SPECIFIED DIMENSIONS ARE IN INCHES TOLERANCES ARE:			CONTRACT NO. Gremlin Industries, Inc. San Diego, California 92123	
FRACTIONS ±	DECIMALS .XX ±	ANGLES .XXX ±	APPROVALS	DATE
			DRAWN <i>Ron Hawtree</i>	2-8-80
			CHECKED <i>Stan f. Ray</i>	2-8-80
MATERIAL	NOTED		TOP ASSEMBLY ASTRO FIGHTER	
FINISH			SIZE	CODE IDENT NO. DRAWING NO. REV.
			D	700-0005 A
NEXT ASSY	USED ON	APPLICATION	SCALE	SHEET 4 OF 5
			NONE	

700-0005 A

REVISIONS				
ZONE	LTR	DESCRIPTION	DATE	APPROVED
	A	RELEASED	2-13-80	[Signature]
	A	B.O.M. CHG. (WIRE NUT F/N'S)	3-27-90	[Signature]

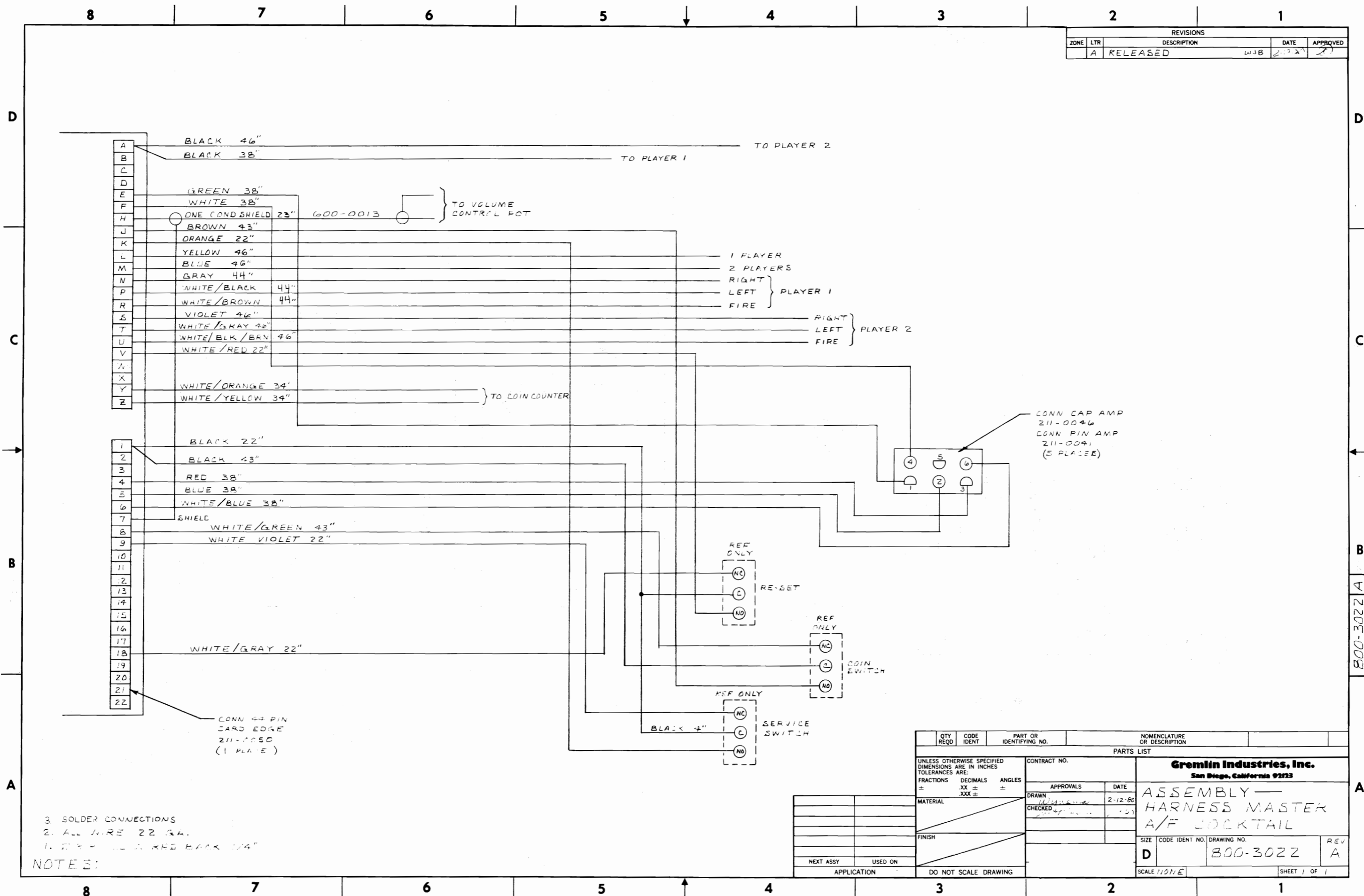


NOTES: ALL QUICK CONNECTS TO BE SECURED TO WIRE WITH SHRINK TUBING

QTY REQD	CODE IDENT	PART OR IDENTIFYING NO.	NOMENCLATURE OR DESCRIPTION	
PARTS LIST				
UNLESS OTHERWISE SPECIFIED DIMENSIONS ARE IN INCHES TOLERANCES ARE:		CONTRACT NO.		
FRACTIONS	DECIMALS	ANGLES	APPROVALS	
=	XX =	=	DATE	
	XXX =		DRAWN <i>Ron Hewitt</i> 2-13-80	
MATERIAL		CHECKED <i>[Signature]</i> 2-13-80		
FINISH		Grenlin Industries, Inc. San Diego, California 92123		
NOTED		ASS'Y. FUSEBLOCK		
NEXT ASSY		SIZE	CODE IDENT NO.	DRAWING NO.
USED ON		C		800-3026
APPLICATION		SCALE		REV. A
DO NOT SCALE DRAWING		2X		SHEET / OF /

800-3026

REVISIONS				
ZONE	LTR	DESCRIPTION	DATE	APPROVED
A		RELEASED	WJB	2-12-80



NOTES:
 3. SOLDER CONNECTIONS
 2. ALL WIRE 22 GA.
 1. STRIP ALL RED BACK 1/4"

QTY REQD	CODE IDENT	PART OR IDENTIFYING NO.	NOMENCLATURE OR DESCRIPTION
PARTS LIST			
UNLESS OTHERWISE SPECIFIED DIMENSIONS ARE IN INCHES TOLERANCES ARE:		CONTRACT NO.	
FRACTIONS	DECIMALS	ANGLES	APPROVALS
±	±	±	DATE
±	±	±	2-12-80
MATERIAL	FINISH	DRAWN	
		CHECKED	
NEXT ASSY		USED ON	
APPLICATION		DO NOT SCALE DRAWING	

Gremlin Industries, Inc.
 San Diego, California 92123

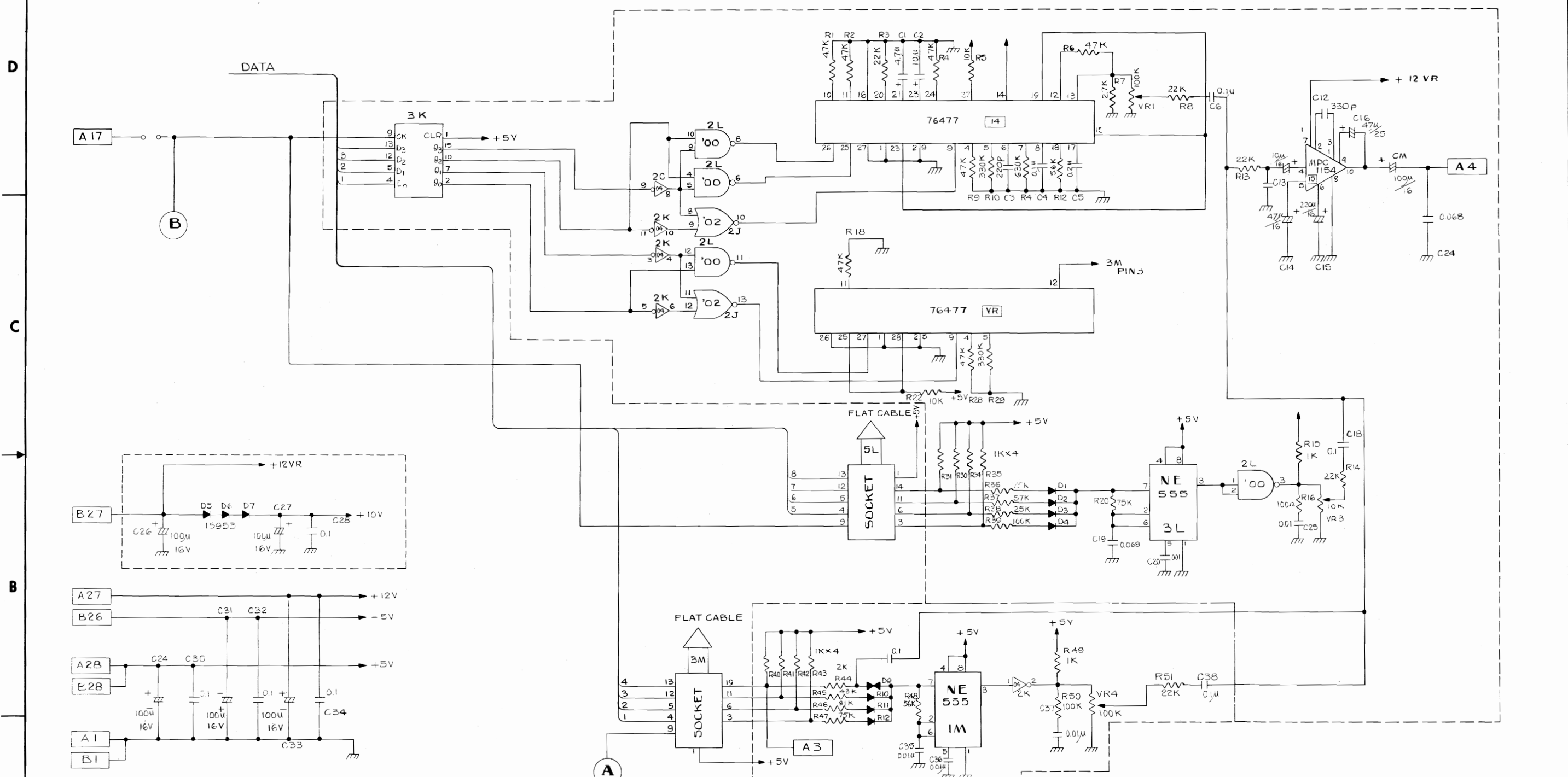
**ASSEMBLY —
 HARNESS MASTER
 A/F JOCKTAIL**

SIZE: D CODE IDENT NO.: 800-3022 DRAWING NO.: A REV: A

SCALE: NONE SHEET 1 OF 1

800-3022 A

REVISIONS				
ZONE	LTR	DESCRIPTION	DATE	APPROVED
A		RELEASED	LH 4-14-80	T.K.



NOTES:
 SECTIONS OF BOARD INDICATED BY DASHED LINES APPLICABLE ONLY TO CERTAIN CONFIGURATIONS OF BOARDS.

QTY REQD	CODE IDENT	PART OR IDENTIFYING NO.	NOMENCLATURE OR DESCRIPTION
PARTS LIST			
UNLESS OTHERWISE SPECIFIED DIMENSIONS ARE IN INCHES TOLERANCES ARE:		CONTRACT NO.	
FRACTIONS ±	DECIMALS .XX ±	ANGLES ±	APPROVALS
±	.XXX ±	±	DATE
MATERIAL		DRAWN LIEN VAN HO 4-8-80	
FINISH		CHECKED <i>[Signature]</i> 4-14-80	
NEXT ASSY USED ON		NOTED	
APPLICATION		DO NOT SCALE DRAWING	

Gremlin Industries, Inc. San Diego, California 92123	
ASSEMBLY ROM BOARD	
SIZE	CODE IDENT NO. DRAWING NO.
D	800_3016
SCALE NONE	REV A
SHEET 2 OF 2	

8

7

6

5

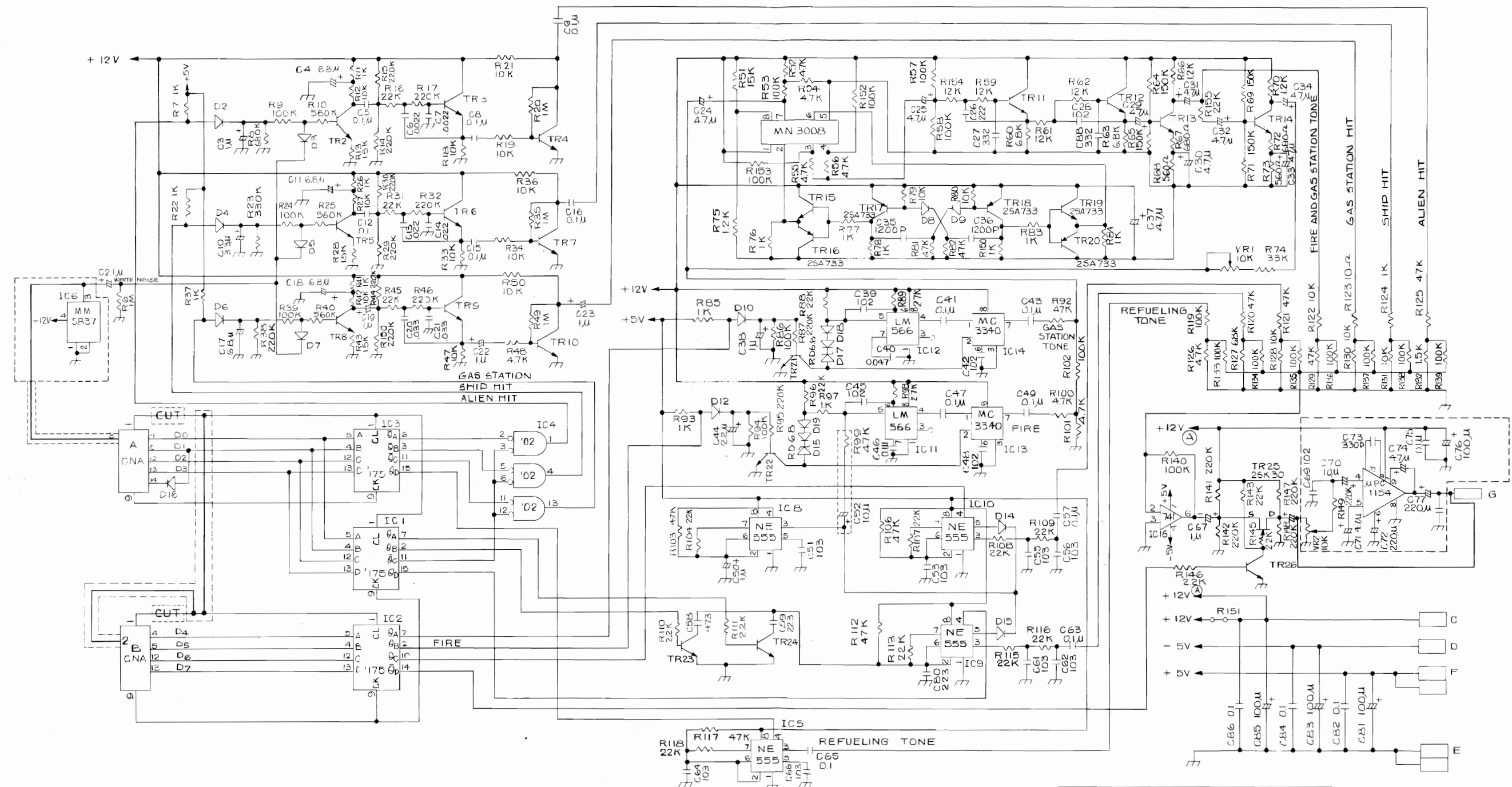
4

3

2

1

REVISIONS				
ZONE	LTR	DESCRIPTION	DATE	APPROVED
A		RELEASED	4-14-80	T.L.



NOTES:
 SECTIONS OF BOARD INDICATED BY
 DASHED LINES APPLICABLE ONLY
 TO CERTAIN CONFIGURATIONS OF
 BOARDS.

QTY REQD	CODE IDENT	PART OR IDENTIFYING NO.	NOMENCLATURE OR DESCRIPTION
PARTS LIST			
UNLESS OTHERWISE SPECIFIED DIMENSIONS ARE IN INCHES TOLERANCES ARE:		CONTRACT NO.	
FRACTIONS	DECIMALS	ANGLES	APPROVALS
±	.xx ±	±	DATE
	.xxx ±		
MATERIAL		DRAWN LIEN VAN HO 3.24.80	
FINISH		CHECKED <i>Isbunah</i> 4-14-80	
NOTED		SIZE CODE IDENT NO. DRAWING NO.	
NEXT ASSY USED ON		D 800-3017	
APPLICATION		SCALE NONE SHEET 1 OF 1	

Gremlin Industries, Inc.
 San Diego, California 92123

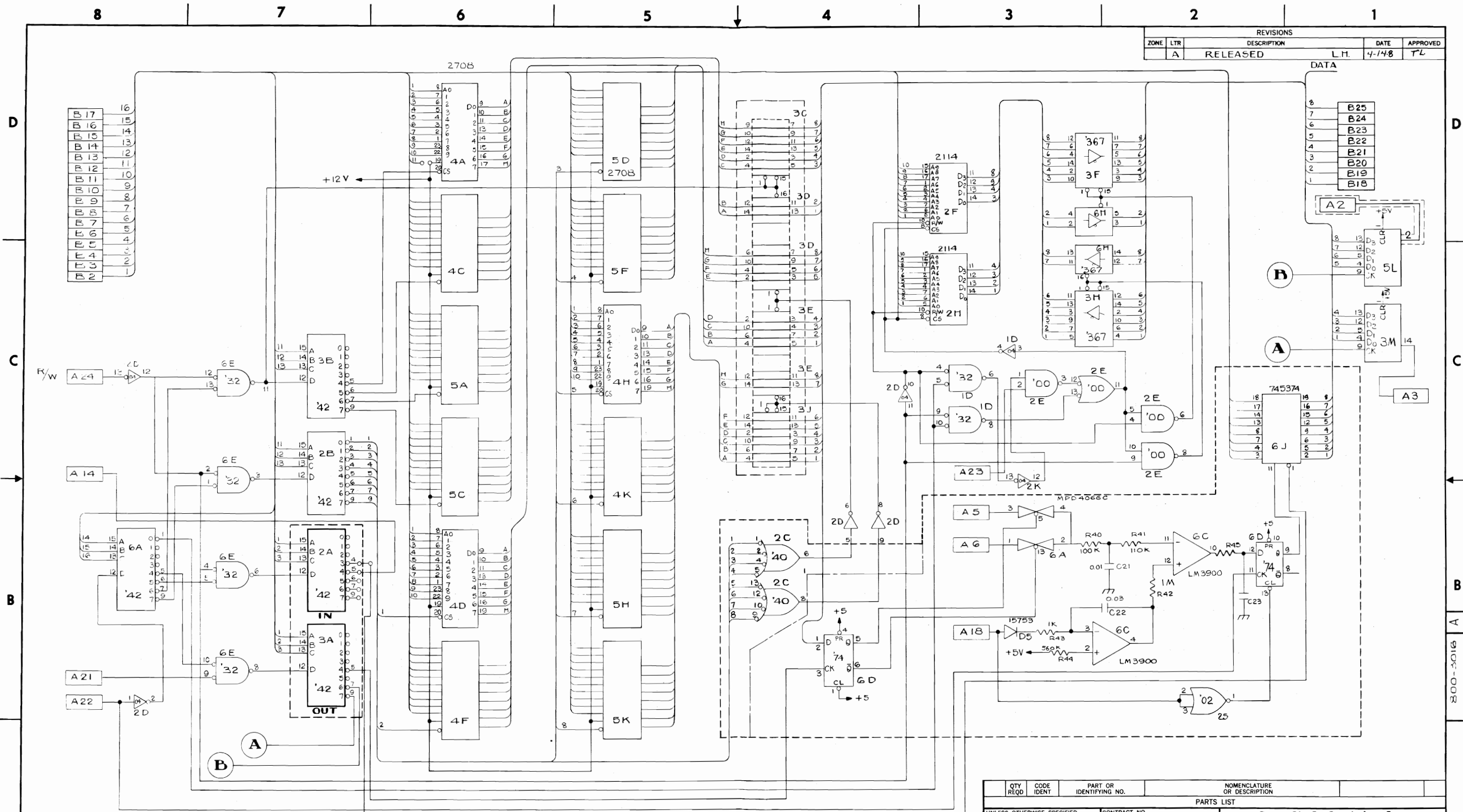
SCHEMATIC AUDIO BOARD

800-3017

REV A

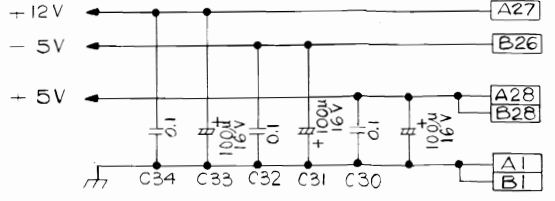
800-3017

REVISIONS				
ZONE	LTR	DESCRIPTION	DATE	APPROVED
A		RELEASED	L.H.	4-14-80



NOTES:

1. SECTIONS OF BOARD INDICATED BY DASHED LINES APPLICABLE ONLY TO CERTAIN CONFIGURATIONS OF BOARDS.
2. 2708 PIN # 21 -5V, # 24 +5V, # 19 +12V, # 12 GND.
3. 2114 # 9 GND, # 18 +5V.
4. 3C, 3D, 3E, 3J, - WILL EITHER BE JUMPED OR USE 74LS367



QTY REQD	CODE IDENT	PART OR IDENTIFYING NO.	NOMENCLATURE OR DESCRIPTION
PARTS LIST			
UNLESS OTHERWISE SPECIFIED DIMENSIONS ARE IN INCHES TOLERANCES ARE:		CONTRACT NO.	
FRACTIONS	DECIMALS	ANGLES	
±	±	±	
MATERIAL		APPROVALS	
FINISH		DATE	
NOTED		DRAWN LIEN VAN MO 4-2-80	
NEXT ASSY USED ON		CHECKED <i>Asakawa</i> 4-14-80	
APPLICATION		DO NOT SCALE DRAWING	

Gremlin Industries, Inc. San Diego, California 92123	
ASSEMBLY ROM BOARD	
SIZE	CODE IDENT NO. DRAWING NO.
D	800-3016
SCALE NONE	SHEET 1 OF 2

800-3016 A

ASSY GND CABLE 800-3027

REVISIONS				
ZONE	LTR	DESCRIPTION	DATE	APPROVED
A		RELEASED	WJB 2-7-80	

ASSY GAME ELECTRONICS
834-5000

A B C D E F H J K L M N P R S T U V W X Y Z 1 2 3 4 5 6 7 8 9 10 11 12 13 14 15 16 17 18 19 20 21 22

1 GND
2 GND
3 -5
4
5 +12
6 +12
7 +5
8 +5
9
10

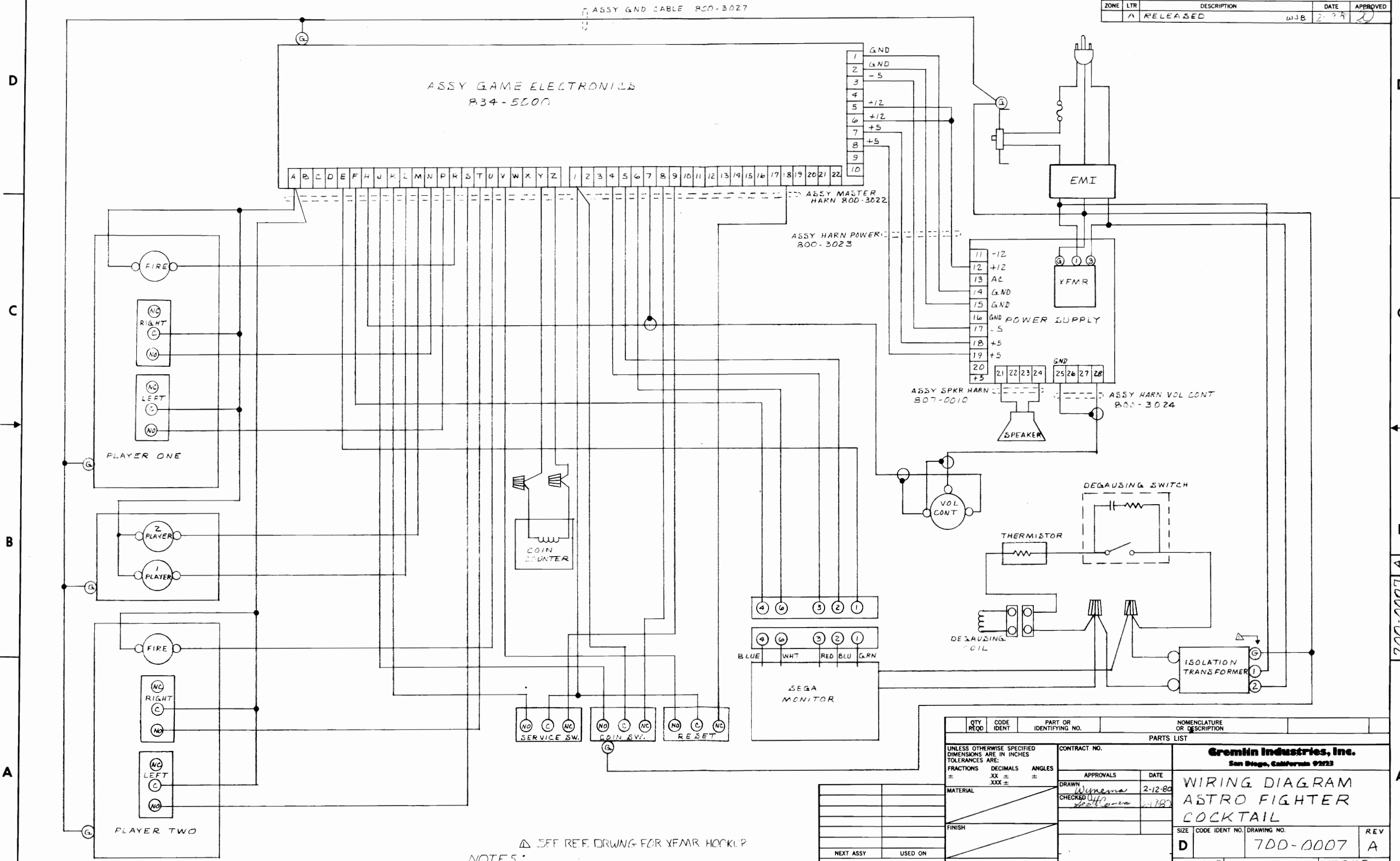
ASSY MASTER HARN 800-3022

ASSY HARN POWER 800-3023

11 -12
12 +12
13 AC
14 GND
15 GND
16 GND POWER SUPPLY
17 -5
18 +5
19 +5
20 +5

ASSY SPKR HARN 807-0010

ASSY HARN VOL CONT 800-3024



NOTES: Δ SEE REF. DRWG FOR YFMR HOOKUP

QTY REQD	CODE IDENT	PART OR IDENTIFYING NO.	NOMENCLATURE OR DESCRIPTION
PARTS LIST			
UNLESS OTHERWISE SPECIFIED DIMENSIONS ARE IN INCHES TOLERANCES ARE:		CONTRACT NO.	
FRACTIONS	DECIMALS	ANGLES	APPROVALS
\pm	.XX \pm	XXX \pm	DATE
MATERIAL	FINISH	DO NOT SCALE DRAWING	<p>Gremlin Industries, Inc. San Diego, California 92123</p> <p>WIRING DIAGRAM ASTRO FIGHTER COCKTAIL</p>
NEXT ASSY	USED ON	APPLICATION	<p>SIZE D CODE IDENT NO. 700-0007</p> <p>SCALE NONE SHEET 5 OF 5</p>

700-0007 A

8

7

6

5

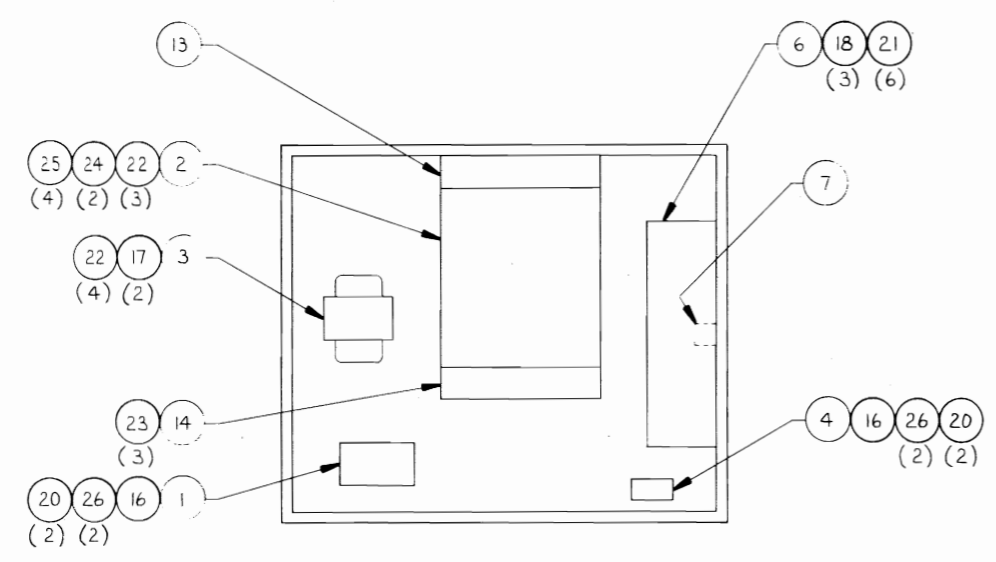
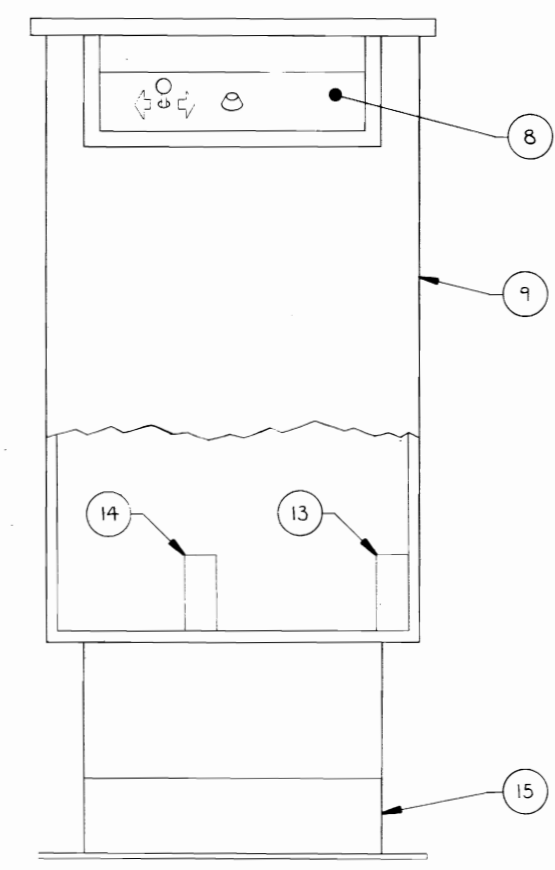
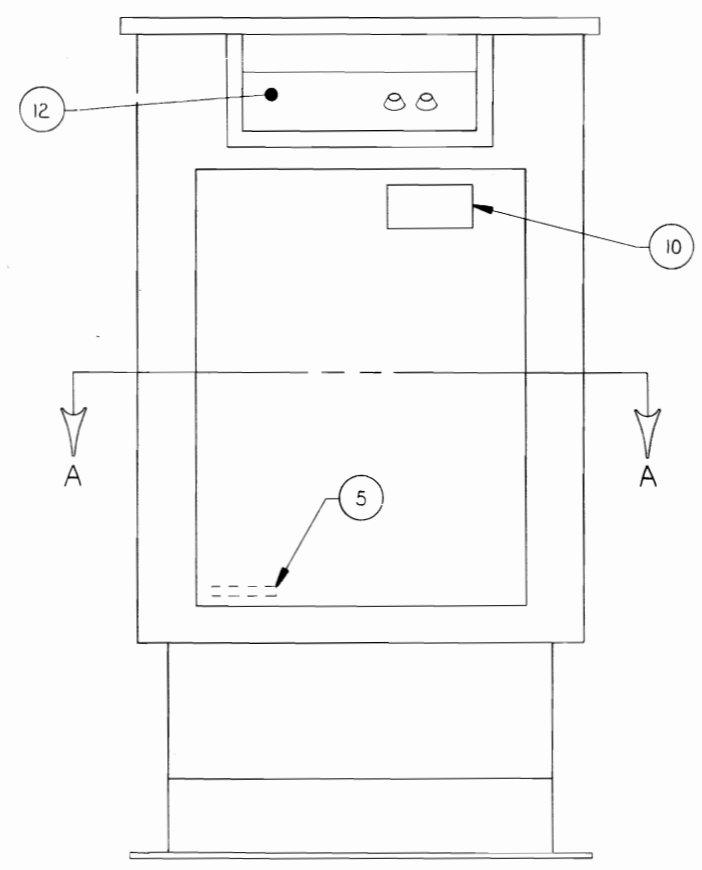
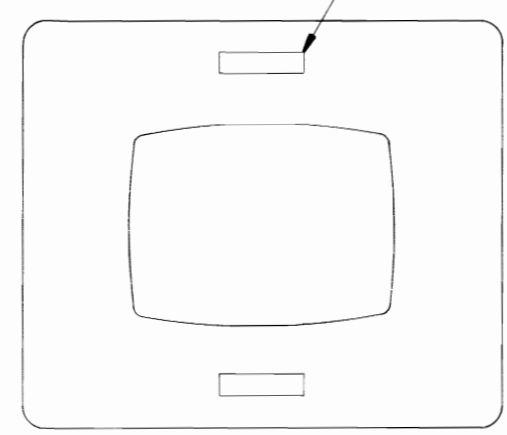
4

3

2

1

REVISIONS				
ZONE	LTR	DESCRIPTION	DATE	APPROVED
A		RELEASED	3-3-80	



VIEW A-A

700-0008

QTY REQD	CODE IDENT	PART OR IDENTIFYING NO.	NOMENCLATURE OR DESCRIPTION
PARTS LIST			
UNLESS OTHERWISE SPECIFIED DIMENSIONS ARE IN INCHES TOLERANCES ARE:		CONTRACT NO.	
FRACTIONS ±	DECIMALS .XX ±	ANGLES ±	
	.XXX ±		
MATERIAL		APPROVALS	DATE
FINISH		DRAWN MAHONEY	2-29-80
NEXT ASSY		CHECKED	3-3-80
USED ON		Gremlin Industries, Inc. San Diego, California 92123	
APPLICATION		ASSY, TOP GAME, SLIMLINE ASTRO FIGHTER	
DO NOT SCALE DRAWING		SIZE D	CODE IDENT NO. 700-0008
		SCALE 1/4	DRAWING NO. 700-0008
		REV A	
		SHEET 4 OF 6	

8

7

6

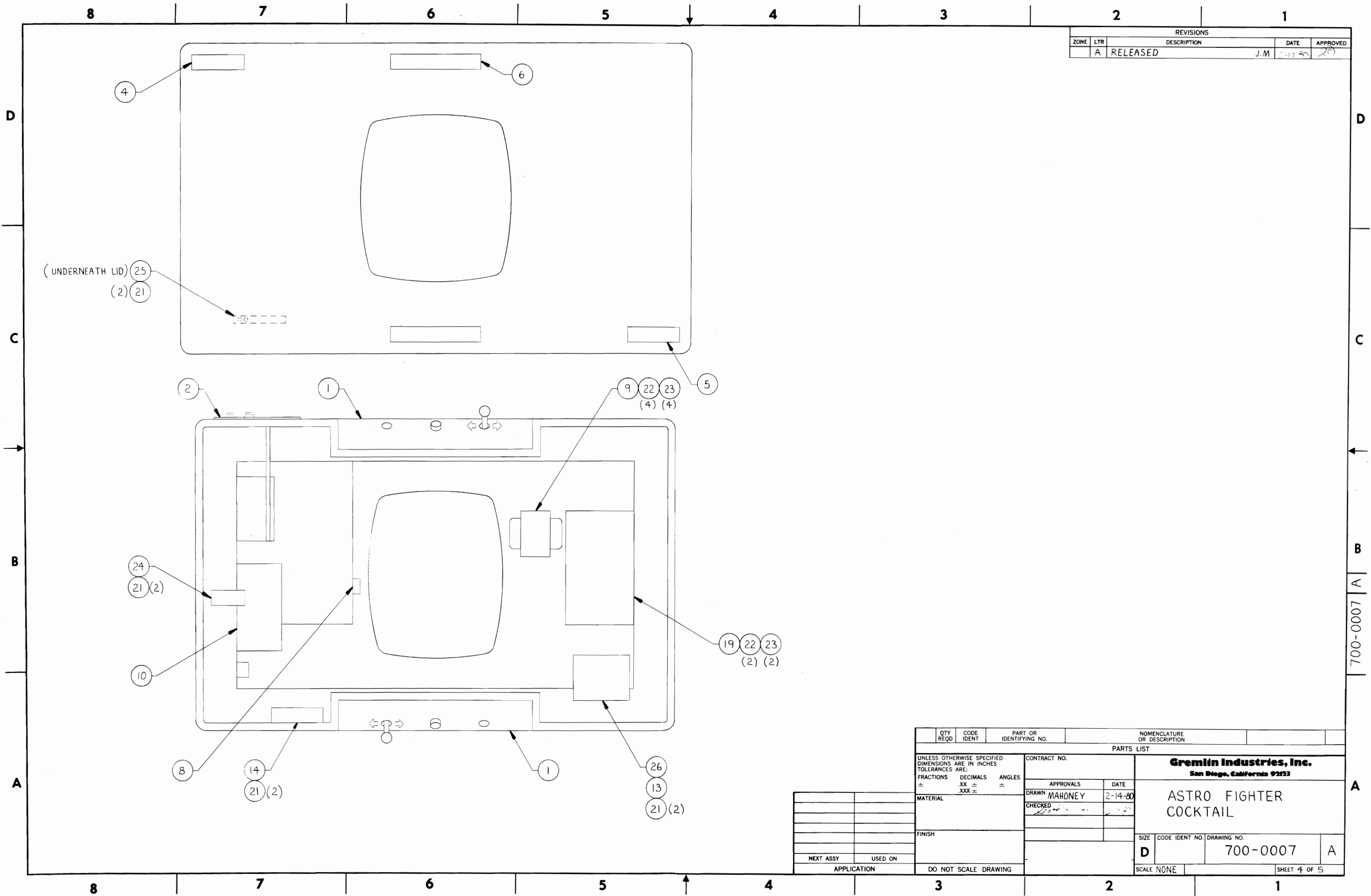
5

4

3

2

1

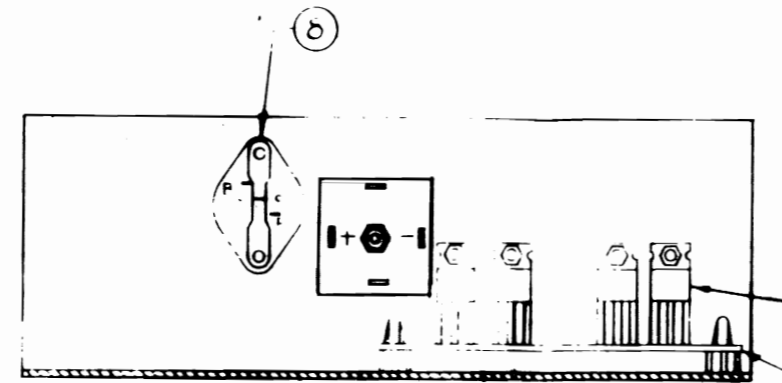


REVISIONS				
ZONE	LTR	DESCRIPTION	DATE	APPROVED
A		RELEASED	J.M. 2-17-80	201

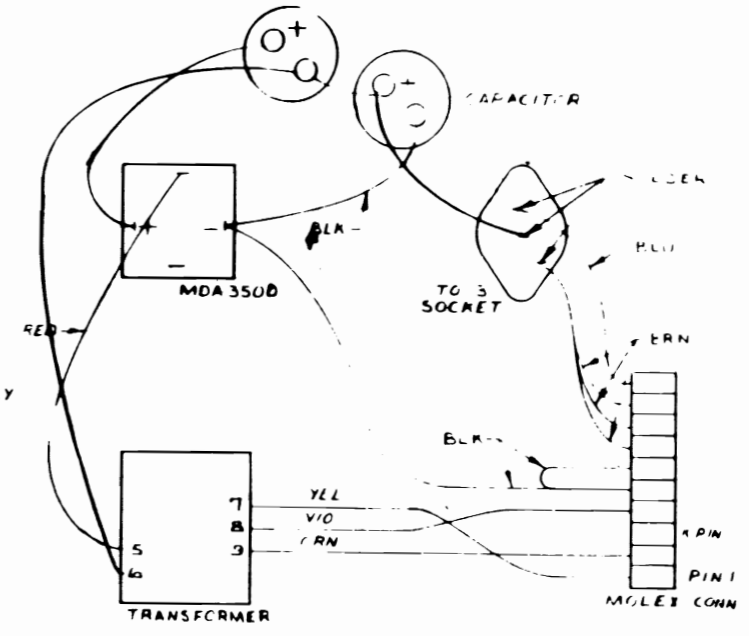
QTY REQD	CODE IDENT	PART OR IDENTIFYING NO.	NOMENCLATURE OR DESCRIPTION	
PARTS LIST				
UNLESS OTHERWISE SPECIFIED DIMENSIONS ARE IN INCHES TOLERANCES ARE:			Gremlin Industries, Inc. San Diego, California 92123	
FRACTIONS		DECIMALS	ANGLES	CONTRACT NO.
±	.XX ±	±	±	
MATERIAL		APPROVALS		DATE
		DRAWN MAHONEY		2-14-80
FINISH		CHECKED		
NEXT ASSY		USED ON		SIZE
APPLICATION		DO NOT SCALE DRAWING		D
			CODE IDENT NO.	DRAWING NO.
				700-0007
			SCALE	SHEET 4 OF 5
			NONE	A

700-0007 A B

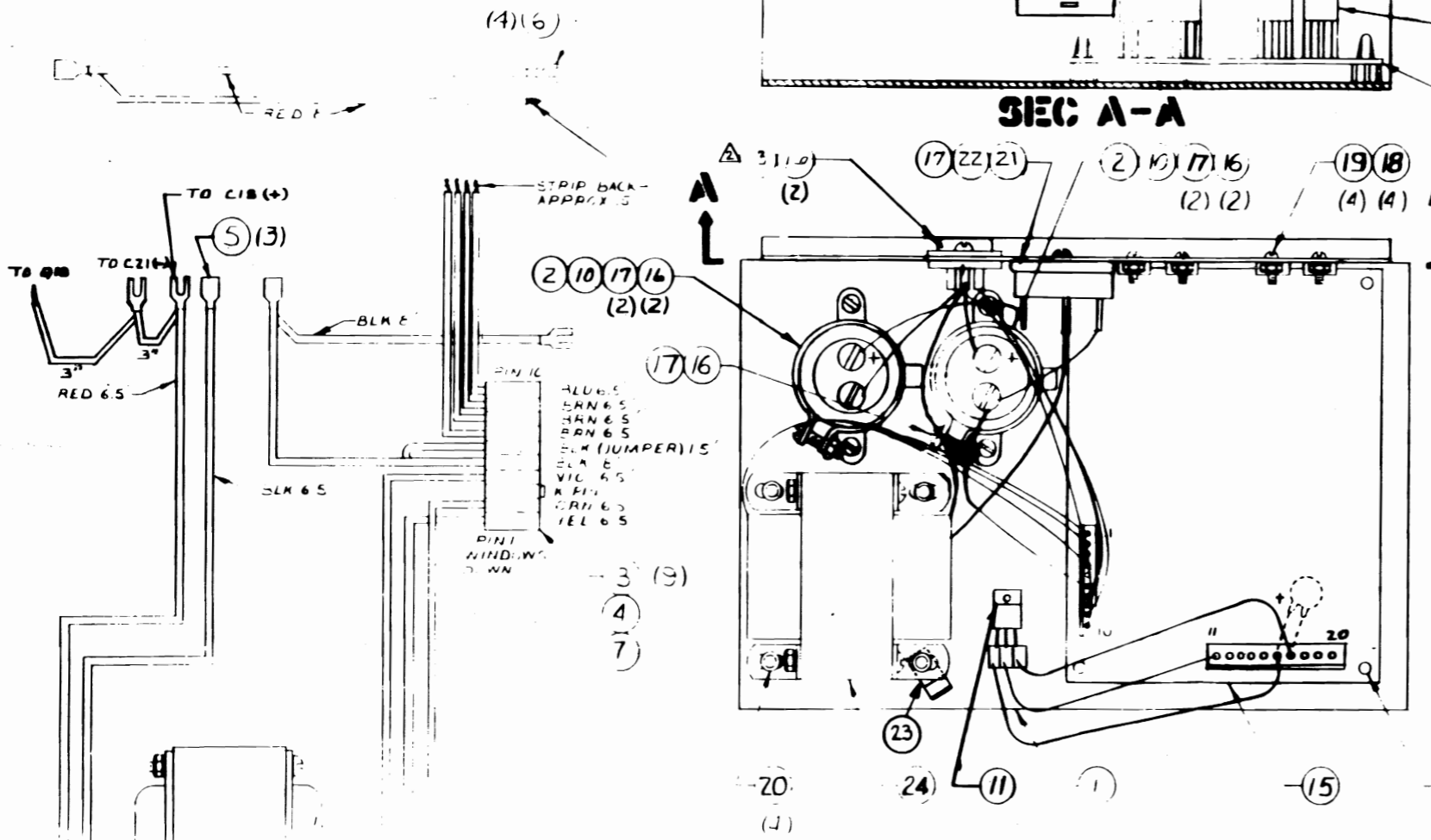
REVISIONS				
ZONE	LTR	DESCRIPTION	DATE	APPROVED
A	RELEASED		12-3-79	
B	REVISION		1-1-80	



SEC A-A



WIRING DIAGRAM



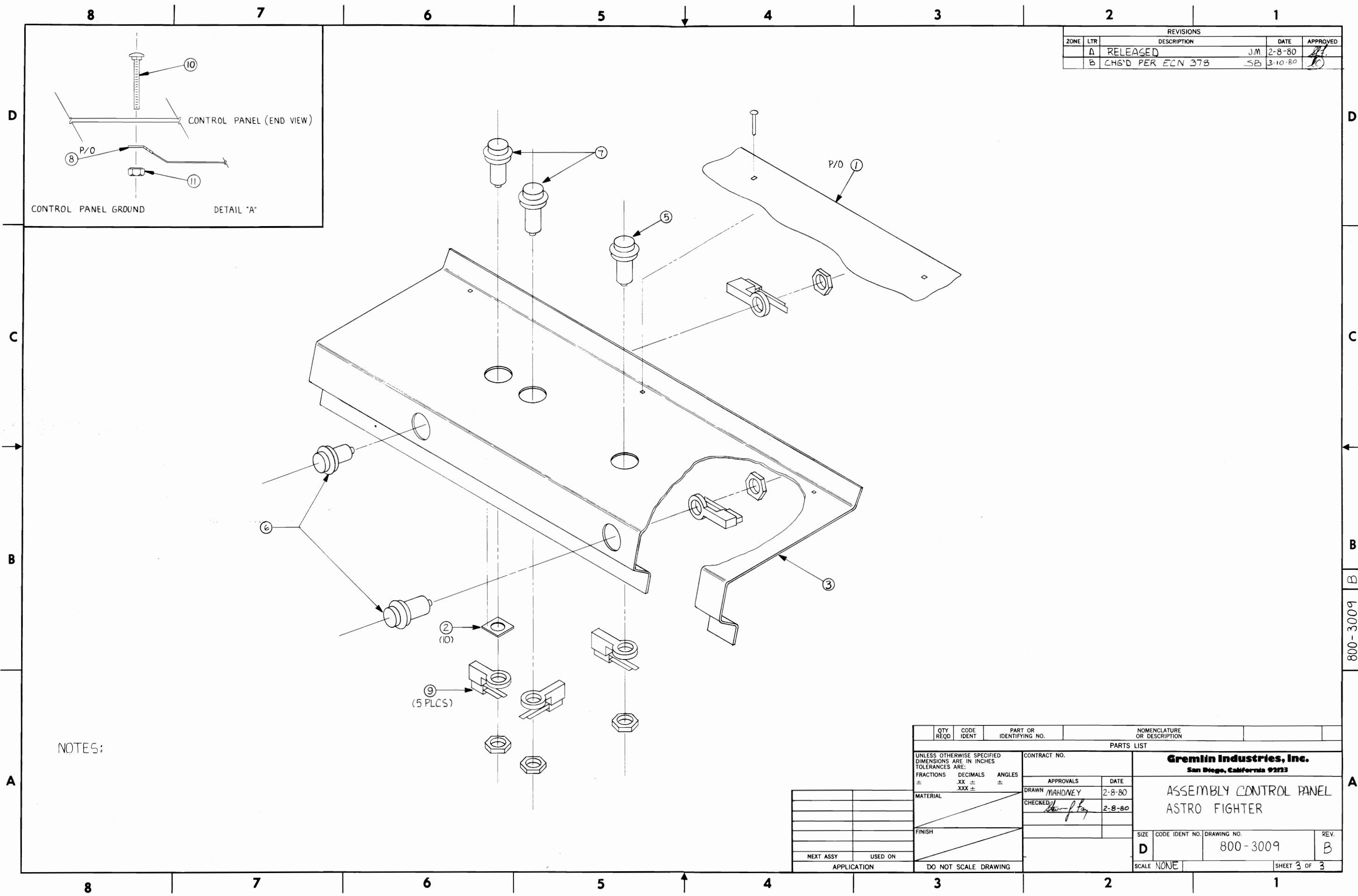
SEE DETACHED PARTS LIST

QTY REQD	CODE IDENT	PART OR IDENTIFYING NO	NOMEN CLATURE OR UNS
PARTS LIST			
UNLESS OTHERWISE SPECIFIED DIMENSIONS ARE IN INCHES TOLERANCES ARE FRACTIONS DECIMALS ANGLES		CONTRACT NO	
FRACTIONS 1/16 1/8 1/4 3/8 1/2 3/4 1		APPROVALS DATE	
DECIMALS .005 .010 .015 .020 .030 .040 .050 .060 .070 .080 .090 .100 .125 .150 .175 .200 .250 .300 .375 .500 .625 .750 .875 1.000		DATE 11-28-79	
ANGLES 15 30 45 60 75 90 105 120 135 150 165 180		DATE 12-3-79	
APPROVALS		DATE	
DESIGNER		DATE	
CHECKER		DATE	
DRAWN		DATE	
MATERIAL		DATE	
FINISH		DATE	
TEST		DATE	
APPLICATION		DATE	
DO NOT SCALE DRAWING		DATE	
SIZE	CODE IDENT NO	DRAWING NO	REV
D		810-0077	B
SCALE			SHEET 3 OF

ALL COMPONENTS TO BE MOUNTED WITH INSULATING PASTE & INSULATING HARDWARE UNLESS OTHERWISE SPECIFIED

18100-005

REVISIONS				
ZONE	LTR	DESCRIPTION	DATE	APPROVED
A		RELEASED	J.M. 2-8-80	<i>[Signature]</i>
B		CHG'D PER ECN 378	SB 3-10-80	<i>[Signature]</i>

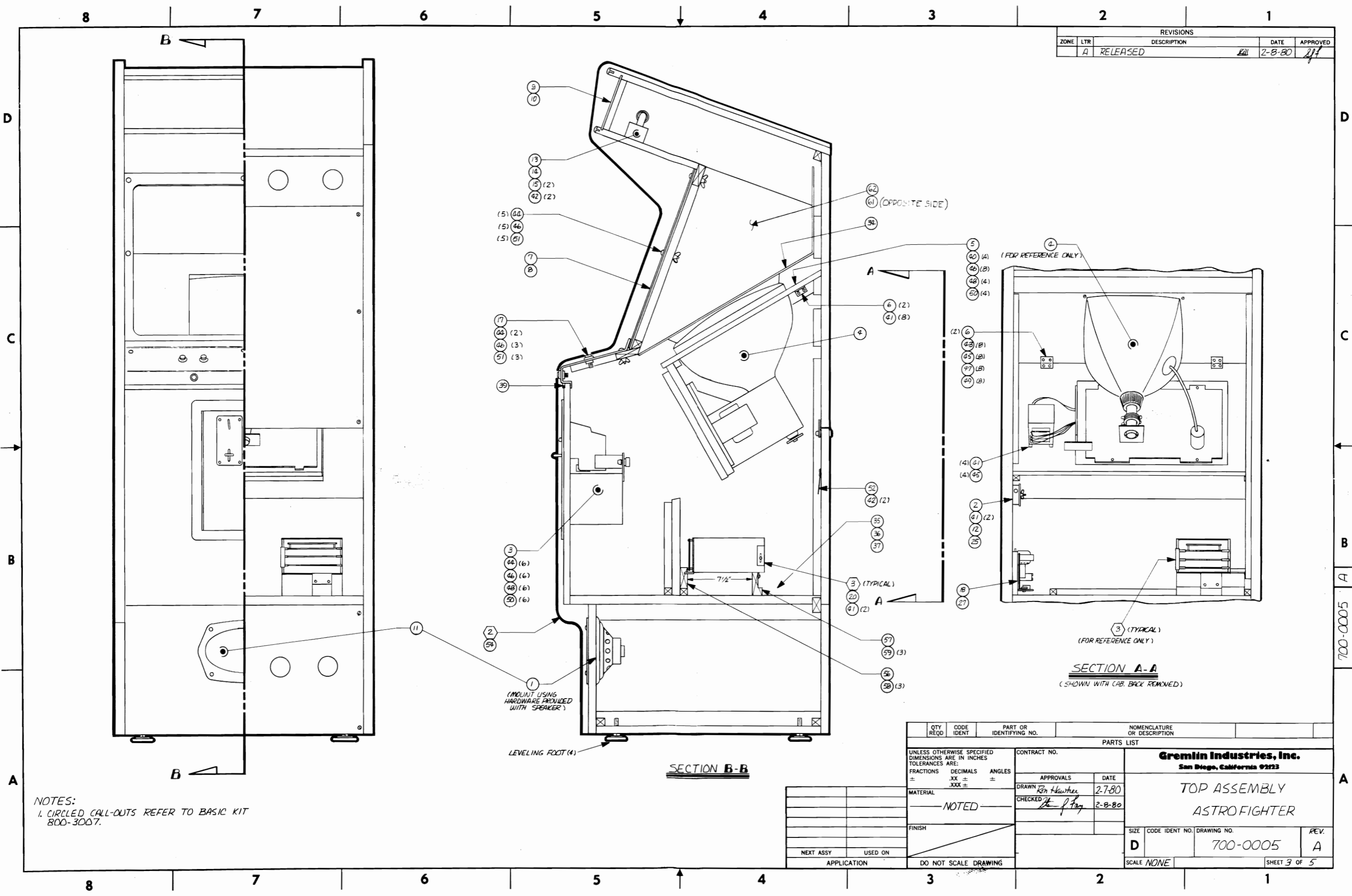


NOTES:

QTY REQD	CODE IDENT	PART OR IDENTIFYING NO.	NOMENCLATURE OR DESCRIPTION	
PARTS LIST				
UNLESS OTHERWISE SPECIFIED DIMENSIONS ARE IN INCHES TOLERANCES ARE:			Gremlin Industries, Inc. San Diego, California 92123 ASSEMBLY CONTROL PANEL ASTRO FIGHTER	
FRACTIONS	DECIMALS	ANGLES		
±	.XX ±	±	CONTRACT NO. _____ APPROVALS _____ DATE 2-8-80 DRAWN MAHONEY CHECKED <i>[Signature]</i> 2-8-80	
MATERIAL	FINISH		SIZE D CODE IDENT NO. 800-3009 DRAWING NO. B SCALE NONE SHEET 3 OF 3	
NEXT ASSY	USED ON	APPLICATION	DO NOT SCALE DRAWING	

800-3009 B

REVISIONS				
ZONE	LTR	DESCRIPTION	DATE	APPROVED
A	RELEASED		2-8-80	[Signature]



NOTES:
1. CIRCLED CALL-OUTS REFER TO BASIC KIT 800-3007.

QTY REQD	CODE IDENT	PART OR IDENTIFYING NO.	NOMENCLATURE OR DESCRIPTION
PARTS LIST			
UNLESS OTHERWISE SPECIFIED DIMENSIONS ARE IN INCHES TOLERANCES ARE:		CONTRACT NO.	
FRACTIONS ±	DECIMALS .XX ±	ANGLES ±	
MATERIAL		APPROVALS	DATE
NOTED		DRAWN <i>Ken Hawtree</i>	2-7-80
FINISH		CHECKED <i>De-fay</i>	2-8-80
NEXT ASSY		USED ON	
APPLICATION		DO NOT SCALE DRAWING	
		Gremlin Industries, Inc. San Diego, California 92123 TOP ASSEMBLY ASTROFIGHTER	
SIZE	CODE IDENT NO.	DRAWING NO.	REV.
D		700-0005	A
SCALE	NONE		SHEET 3 OF 5

700-0005