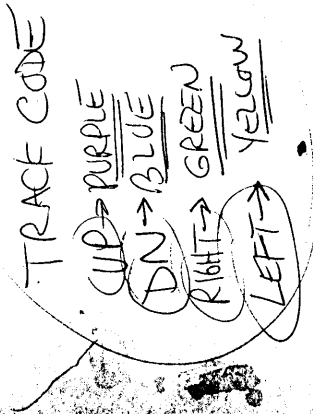
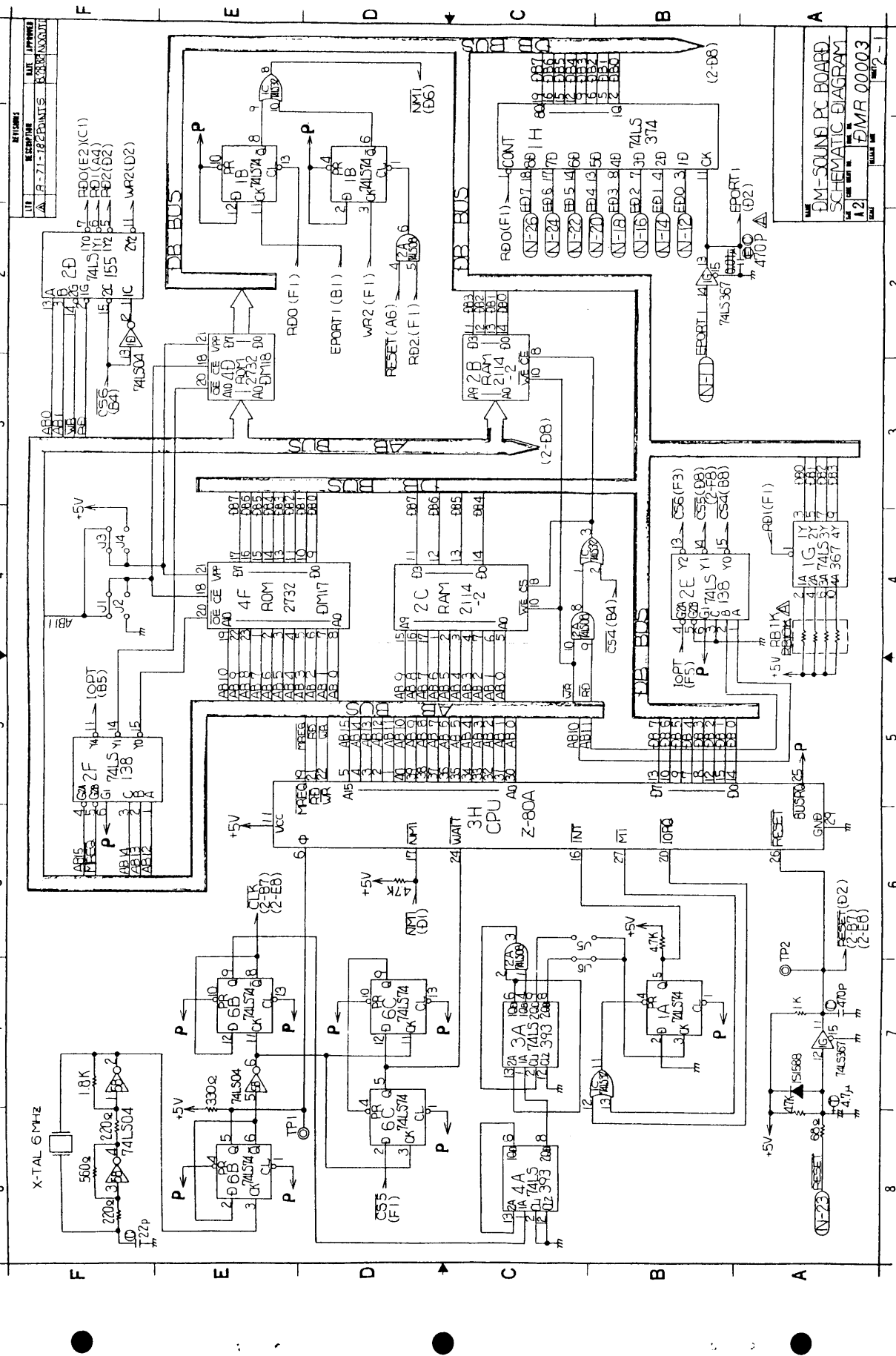


BIRDIE-KING II

Schematics and Wiring Diagrams



Distributed by:
MONROE Distributing Inc.
2899 Payne Avenue
Cleveland, Ohio 44114
Licensed by Corn-It Co.



REVISIONS

REV	DESCRIPTION	DATE	APPROVED
1	A - Z-1 - 182 POINTS	8/23/80	WAS
2	RDO(E2)(C1)		
3	RDI(A4)		
4	RDI(A4)		
5	RDI(A4)		
6	RDI(A4)		
7	RDI(A4)		
8	RDI(A4)		
9	RDI(A4)		
10	RDI(A4)		
11	RDI(A4)		
12	RDI(A4)		
13	RDI(A4)		
14	RDI(A4)		
15	RDI(A4)		
16	RDI(A4)		
17	RDI(A4)		
18	RDI(A4)		
19	RDI(A4)		
20	RDI(A4)		
21	RDI(A4)		
22	RDI(A4)		
23	RDI(A4)		
24	RDI(A4)		
25	RDI(A4)		
26	RDI(A4)		
27	RDI(A4)		
28	RDI(A4)		
29	RDI(A4)		
30	RDI(A4)		
31	RDI(A4)		
32	RDI(A4)		
33	RDI(A4)		
34	RDI(A4)		
35	RDI(A4)		
36	RDI(A4)		
37	RDI(A4)		
38	RDI(A4)		
39	RDI(A4)		
40	RDI(A4)		
41	RDI(A4)		
42	RDI(A4)		
43	RDI(A4)		
44	RDI(A4)		
45	RDI(A4)		
46	RDI(A4)		
47	RDI(A4)		
48	RDI(A4)		
49	RDI(A4)		
50	RDI(A4)		
51	RDI(A4)		
52	RDI(A4)		
53	RDI(A4)		
54	RDI(A4)		
55	RDI(A4)		
56	RDI(A4)		
57	RDI(A4)		
58	RDI(A4)		
59	RDI(A4)		
60	RDI(A4)		
61	RDI(A4)		
62	RDI(A4)		
63	RDI(A4)		
64	RDI(A4)		
65	RDI(A4)		
66	RDI(A4)		
67	RDI(A4)		
68	RDI(A4)		
69	RDI(A4)		
70	RDI(A4)		
71	RDI(A4)		
72	RDI(A4)		
73	RDI(A4)		
74	RDI(A4)		
75	RDI(A4)		
76	RDI(A4)		
77	RDI(A4)		
78	RDI(A4)		
79	RDI(A4)		
80	RDI(A4)		
81	RDI(A4)		
82	RDI(A4)		
83	RDI(A4)		
84	RDI(A4)		
85	RDI(A4)		
86	RDI(A4)		
87	RDI(A4)		
88	RDI(A4)		
89	RDI(A4)		
90	RDI(A4)		
91	RDI(A4)		
92	RDI(A4)		
93	RDI(A4)		
94	RDI(A4)		
95	RDI(A4)		
96	RDI(A4)		
97	RDI(A4)		
98	RDI(A4)		
99	RDI(A4)		
100	RDI(A4)		

DM-SOUND PC BOARD SCHEMATIC DIAGRAM

DATE: 8/23/80

FILE: DMR 00003

REV: 2-1

18 PIN EDGE CONNECTOR

COMPONENT	SOLDER	
GROUND	1	A
	2	B
	3	C
	4	D
	5	E
	6	F
	7	H
	8	J
+12	9	K
	10	L
	11	M
+12	12	N
	13	P
	14	R
	15	S
	16	T
+5	17	U
+5	18	V

NOTE: Some wire colors may vary.

22 PIN EDGE CONNECTOR

COMPONENT	SOLDER	
GROUND	1	A
VIDEO	2	B
VIDEO	3	C
VIDEO SYNC	4	D
(SPEAKER) SOUND	5	E
	6	F
	7	H
COIN SWITCH	8	J
RETURN FROM 12 V. METER	9	K
	10	L
1 PLAYER START	11	M
UP	12	N
DOWN	13	P
RIGHT	14	R
LEFT	15	S
	16	T
	17	U
	18	V
	19	W
	20	X
	21	Y
	22	Z

NOTE: Some wire colors may vary.

Adjustments of DIP Switch
(Before adjusting, turn the power switch off.)

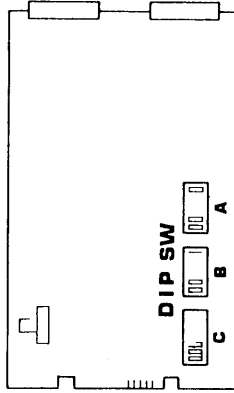


Figure 7

Table 1

Setting	Position								
	1	2	3	4	5	6	7	8	
* Par Play	0 Hole								
* Birdie	1 Hole								
* Eagle	2 Holes	ON							
* Double Eagle	4 Holes								
Par Play	1 Hole								
Birdie	2 Holes								
Eagle	3 Holes								
Double Eagle	4 Holes								
Hole in One	3 Holes	ON							
Hole in One	9 Holes	OFF							
Free Play	Free Play		ON						
	Normal		OFF						
Number of Holes Per Play	9			ON	ON				
	5			ON	OFF				
	4			OFF	ON				
	3			OFF	OFF				
Screen Inversion (Upright Type Machine Only)							ON		
Game Style	Upright						OFF		
	Table							ON	
								OFF	

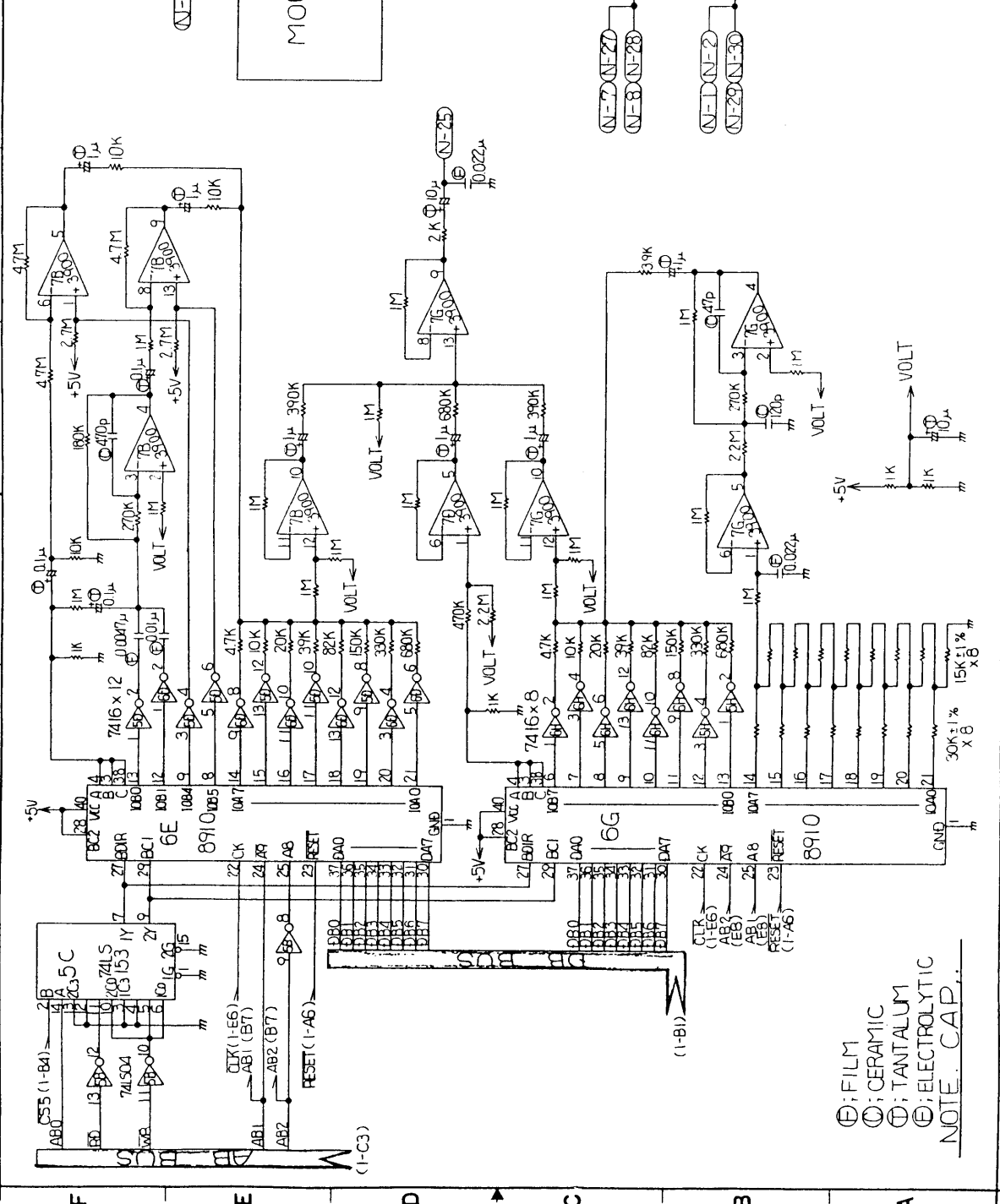
Factory Adjustment: *

Setting	Position		1 WAY (LEFT)				2 WAY (RIGHT)			
	1	2	3	4	5	6	7	8		
* 1 Coin - 1 Play	ON	ON	ON	ON	ON	ON	ON	ON		
1 Coin - 2 Plays	OFF				OFF					
1 Coin - 3 Plays	ON	OFF			ON					
1 Coin - 4 Plays	OFF		OFF							
1 Coin - 5 Plays	ON	ON	OFF	OFF	ON	ON	OFF			
1 Coin - 6 Plays	OFF				OFF					
1 Coin - 7 Plays	ON	OFF			ON					
1 Coin - 8 Plays	OFF		OFF							
2 Coins - 1 Play	ON	ON	ON	OFF	ON	ON	OFF			
3 Coins - 1 Play	OFF				OFF					
4 Coins - 1 Play	ON	OFF			ON					
5 Coins - 1 Play	OFF		OFF							
6 Coins - 1 Play	ON	ON	OFF	OFF	ON	ON	OFF			
7 Coins - 1 Play	OFF				OFF					
8 Coins - 1 Play	ON	OFF			ON					
9 Coins - 1 Play	OFF		OFF							

Setting		Position		1	2	3	4	5	6	7	8	
Appearance of Crow *	Without			ON			OFF					
	With			OFF								
The hole from which a crow appears and flies with drawing a circle or a 8-shape in the air. *	Circle 1,7,11,15,18 8-shape 3,5,9,13,17			OFF	ON	ON		OFF				
	Circle 4,7,13,18 8-shape 1,10,16,17				ON	OFF						
	Circle 1,10,16,18 8-shape 4,7,13,17				OFF	ON						
	Circle 3,5,9,13,18 8-shape 1,7,11,15,17				OFF	OFF						
Coin Display *	No Display							ON				
	Display							OFF				
Year Display *	No Display									ON		
	Display									OFF		
Check *	Check									ON		
	Normal									OFF		
Coin System *	1 Way									ON		
	2 Way									OFF		

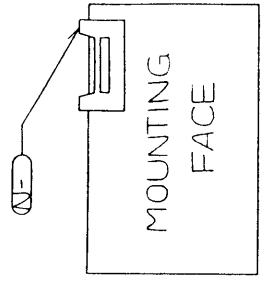
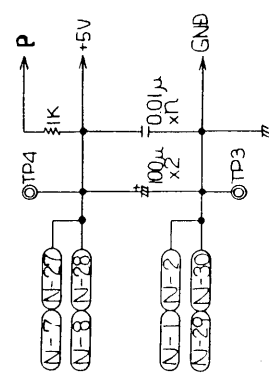
. Factory Adjustment: *

REV	DESCRIPTION	DATE	APPROVED

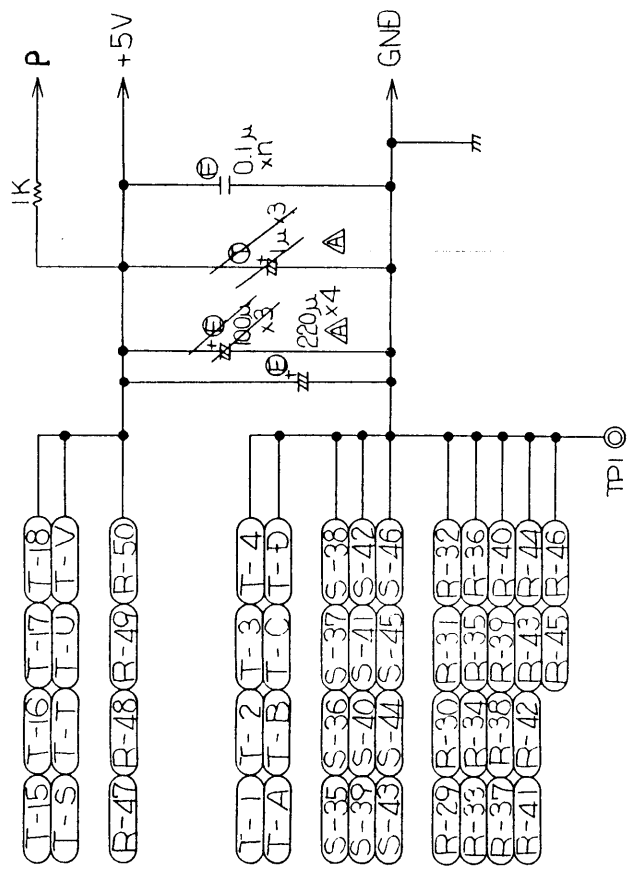


⊕; FILM
 ⊙; CERAMIC
 ⊖; TANTALUM
 ⊗; ELECTROLYTIC
 NOTE: CAP.

DM-SOUND PC BOARD
 SCHEMATIC DIAGRAM
 12
 DMR 00003
 REV 2-2



REVISIONS		
CTR	DESCRIPTION	DATE APPROVED
A	2 POINT S-71-15	17-8882
		MOGUCHI

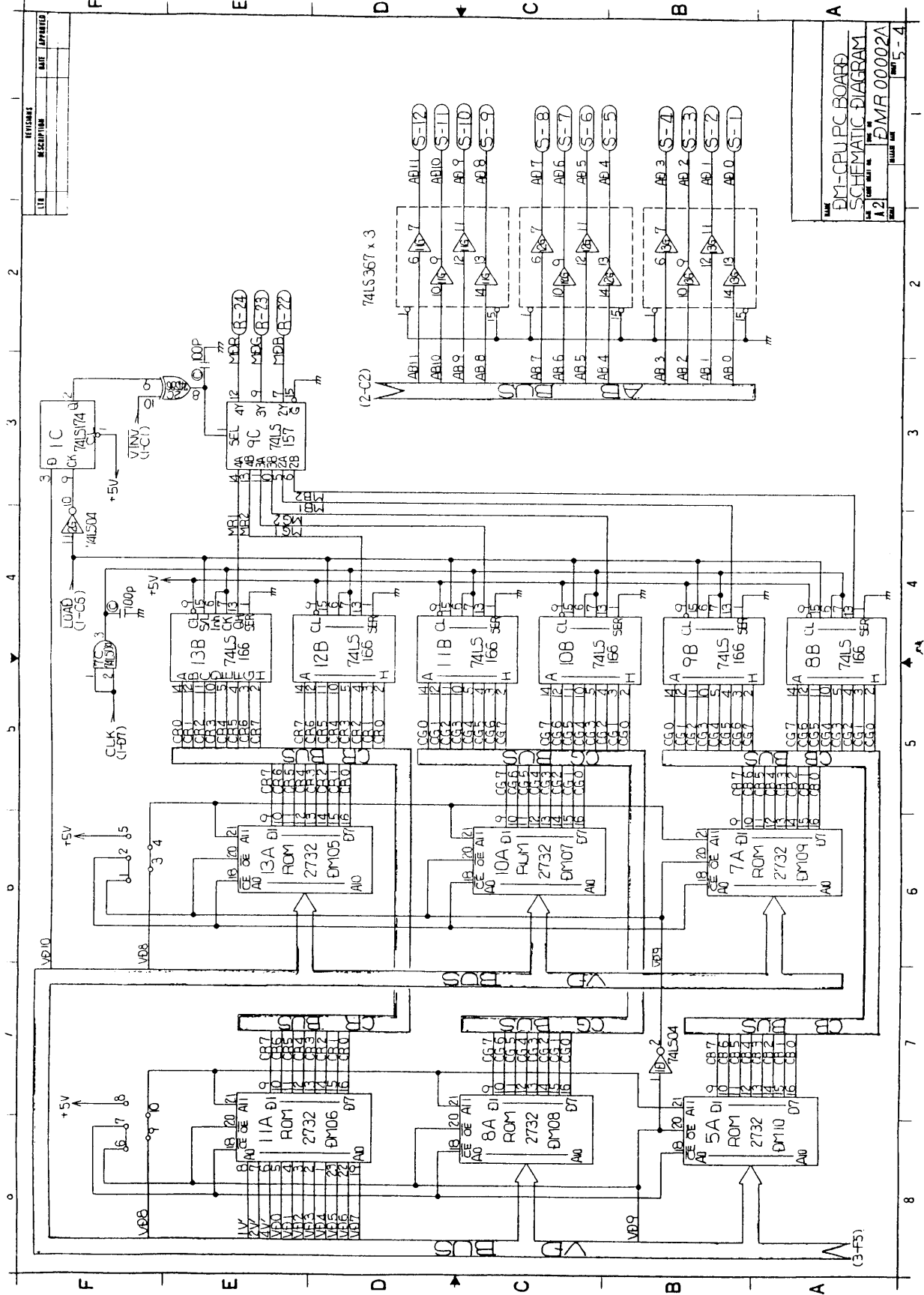


- ⓔ ; ELECTROLYTIC
- Ⓣ ; TANTALUM
- ⓕ ; FILM
- ⓐ ; CERAMIC

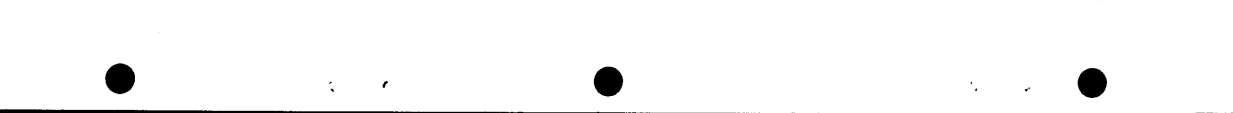
NOTE. CAP.

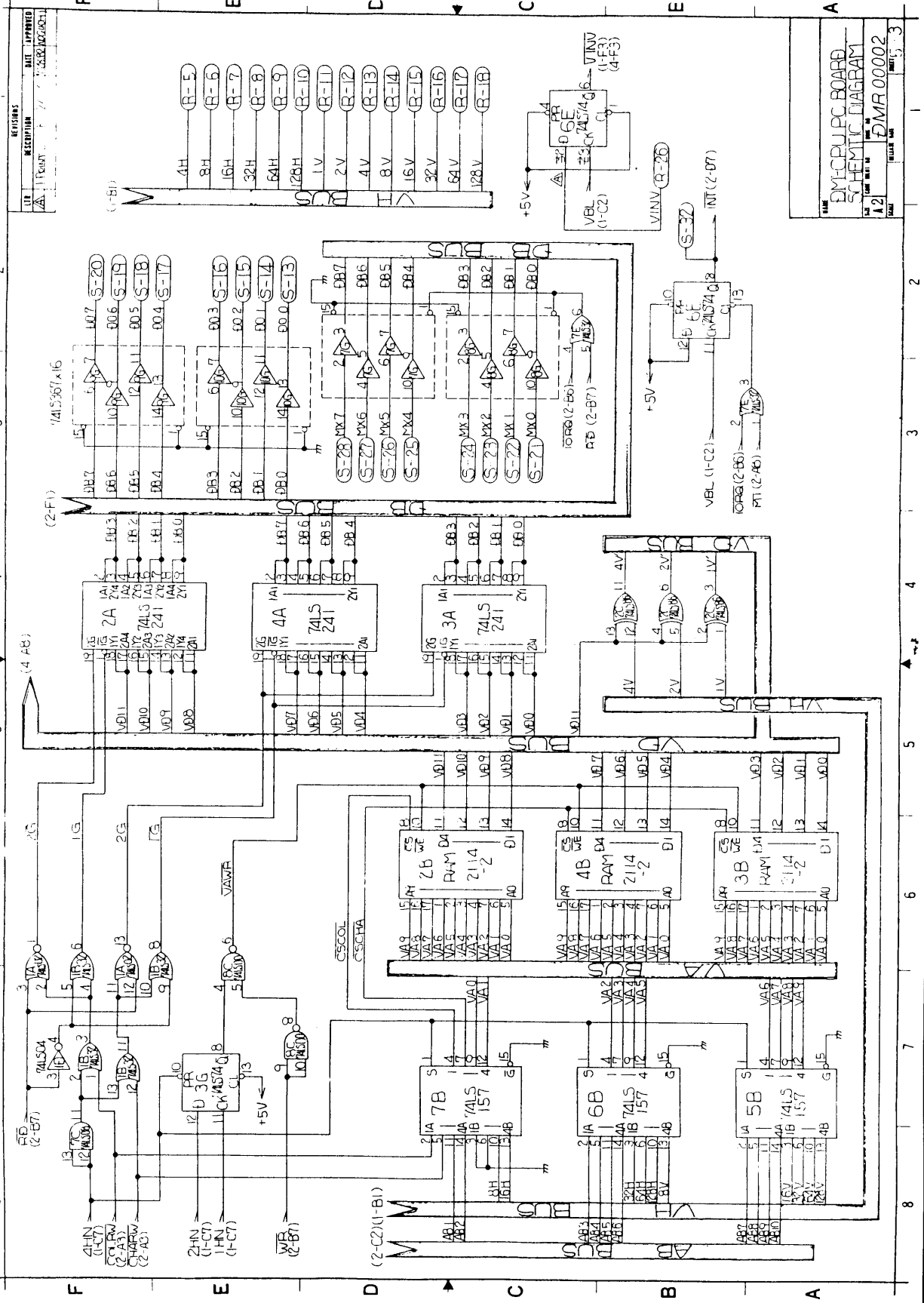
NAME	EM-CPU PC BOARD		
SIZE	FORM TREAT NO.	DOC. NO.	REV. NO.
A 3		EMR 00002	5-5
SCALE	RELEASE DATE		

REV	DESCRIPTION	DATE APPROVED



EM-CPU PC BOARD
SCHEMATIC DIAGRAM
EMR 00002A
REV 5-4

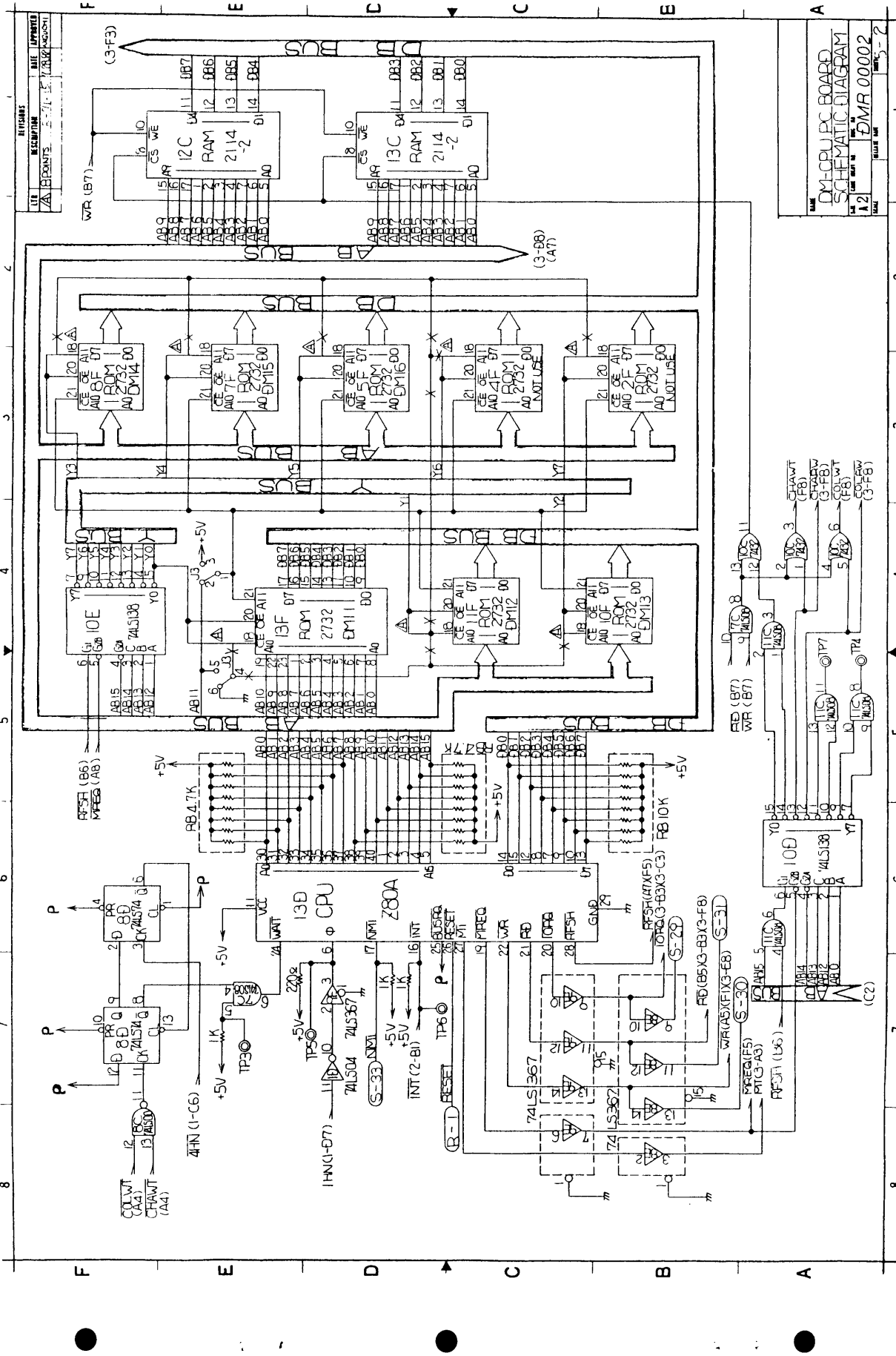




REV	DESCRIPTION	DATE	APPROVED
1	INITIAL	7/77	3382/0000011

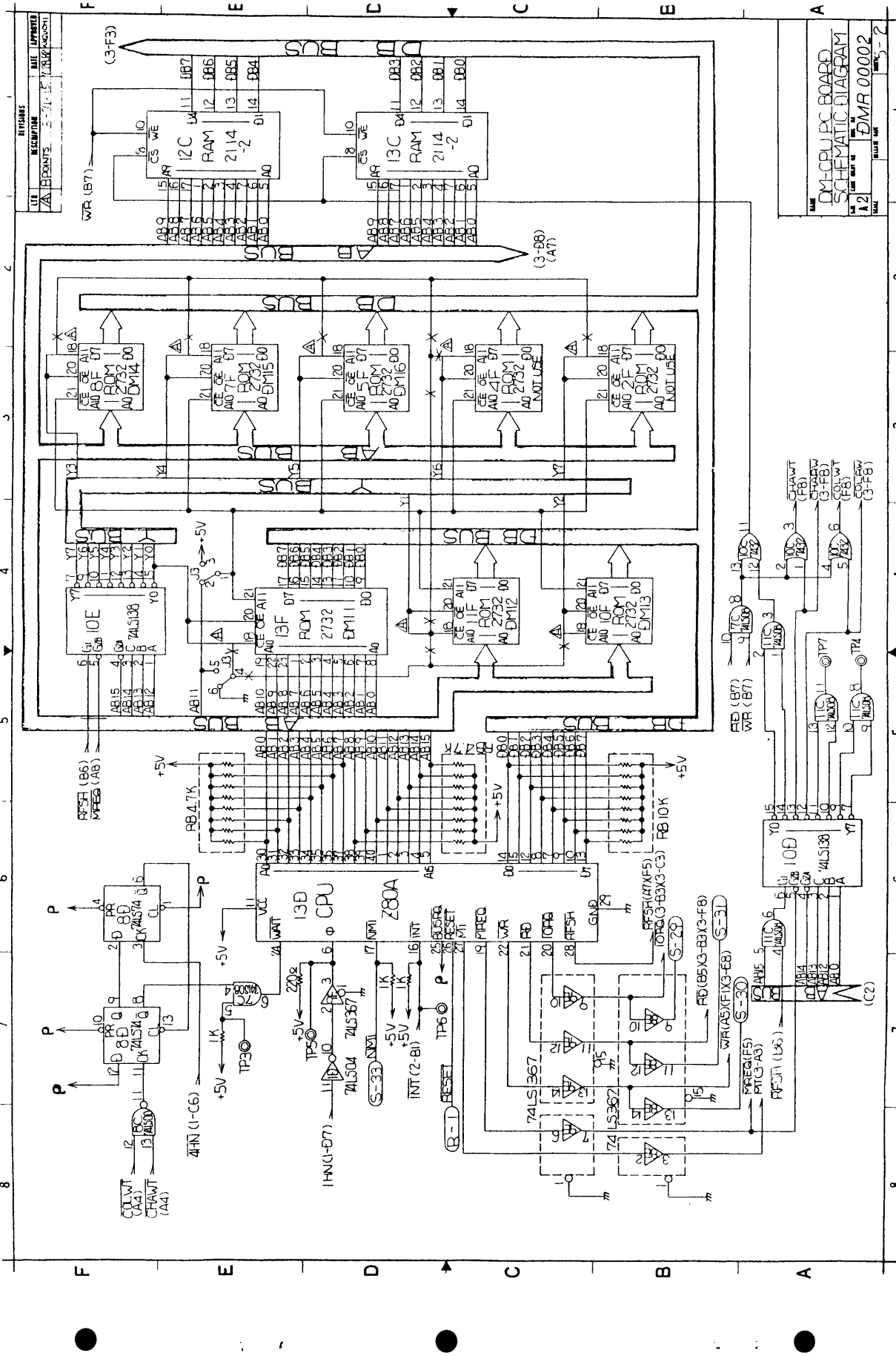
DM-CPU-PC BOARD
SCHEMATIC DIAGRAM
REV. 1.2
DMR 00002

SECTION	COMPONENT	VALUE	REF.
A	IC 1	7805	REG
A	C1	100µF	100
A	C2	100µF	100
A	F1	5A	FUSE
B	IC 2, 3, 4	2114	RAM
C	IC 5, 6, 7	74LS157	LOGIC
C	IC 8, 9, 10	74LS241	LOGIC
D	IC 11	74LS157	LOGIC
D	IC 12	74LS241	LOGIC
E	IC 13	74LS157	LOGIC
E	IC 14	74LS241	LOGIC
F	DB1-DB18	CONNECTORS	DATA
F	DB20-DB27	CONNECTORS	DATA
F	DB28-DB30	CONNECTORS	DATA



REVISIONS
 NO. DESCRIPTION DATE APPROVED
 1.0 ORIGINAL 5-71-71 J. R. H. / S. J. H.

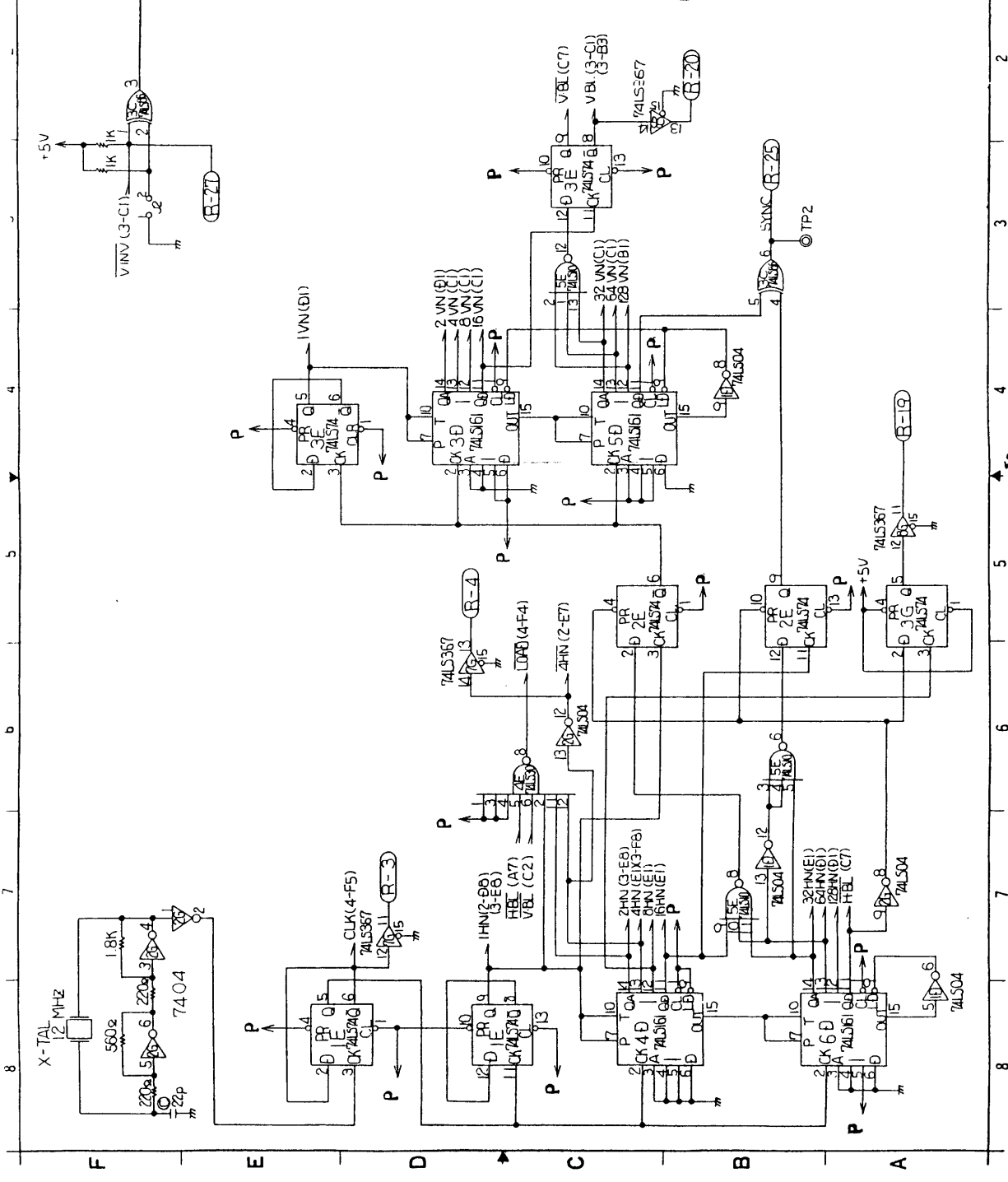
DM-CPU PC BOARD
 SCHEMATIC DIAGRAM
 1.2
 1.2 DMR 00002
 1.2



REVISIONS
 NO. DESCRIPTION DATE APPROVED
 1.0 ORIGINAL 5-71-71 J. R. H. / S. J. H.

DM-CPU PC BOARD
 SCHEMATIC DIAGRAM
 1.2
 1.2 DMR 00002
 1.2

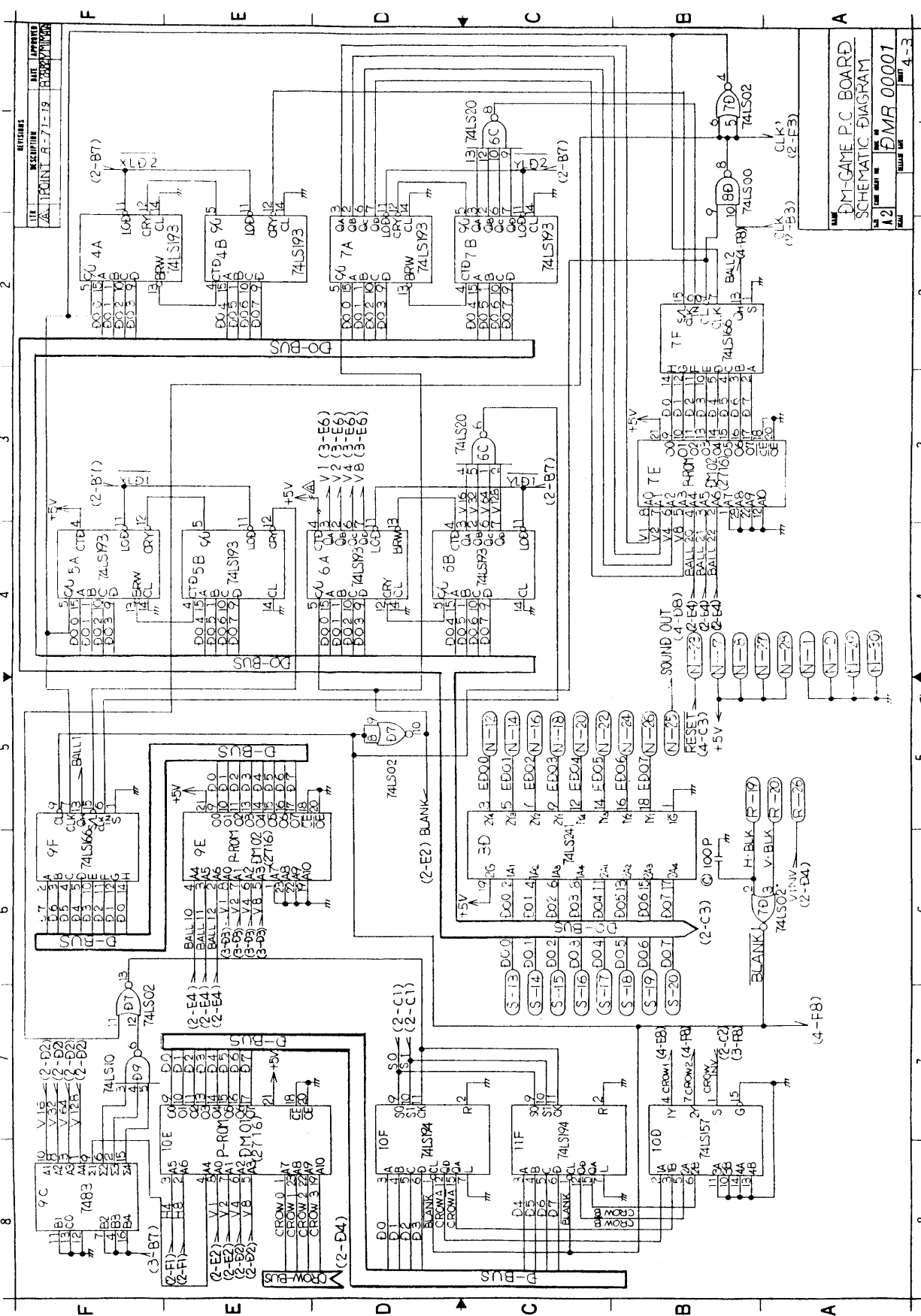
REV	DESCRIPTION	DATE	APPROVED



FM-CPU PCB BOARD
SCHEMATIC DIAGRAM
REV. 1.2
DATE: 1985.05.11
DRAWN BY: FMR 00002A
SHEET NO. 5-1

8 7 6 5 4 3 2 1

F E D C B A



REVISIONS
 NO. 1
 DESCRIPTION
 1. POINT A-7-19
 2. REVISION

DM-GAME P.C. BOARD
 SCHEMATIC DIAGRAM
 1.2
 DMR 00001
 4-3

DO-BUS
 DO 0
 DO 1
 DO 2
 DO 3
 DO 4
 DO 5
 DO 6
 DO 7

DO-BUS
 DO 0
 DO 1
 DO 2
 DO 3
 DO 4
 DO 5
 DO 6
 DO 7

DO-BUS
 DO 0
 DO 1
 DO 2
 DO 3
 DO 4
 DO 5
 DO 6
 DO 7

DO-BUS
 DO 0
 DO 1
 DO 2
 DO 3
 DO 4
 DO 5
 DO 6
 DO 7

DO-BUS
 DO 0
 DO 1
 DO 2
 DO 3
 DO 4
 DO 5
 DO 6
 DO 7

DO-BUS
 DO 0
 DO 1
 DO 2
 DO 3
 DO 4
 DO 5
 DO 6
 DO 7

DO-BUS
 DO 0
 DO 1
 DO 2
 DO 3
 DO 4
 DO 5
 DO 6
 DO 7

DO-BUS
 DO 0
 DO 1
 DO 2
 DO 3
 DO 4
 DO 5
 DO 6
 DO 7

DO-BUS
 DO 0
 DO 1
 DO 2
 DO 3
 DO 4
 DO 5
 DO 6
 DO 7

DO-BUS
 DO 0
 DO 1
 DO 2
 DO 3
 DO 4
 DO 5
 DO 6
 DO 7

DO-BUS
 DO 0
 DO 1
 DO 2
 DO 3
 DO 4
 DO 5
 DO 6
 DO 7

DO-BUS
 DO 0
 DO 1
 DO 2
 DO 3
 DO 4
 DO 5
 DO 6
 DO 7

DO-BUS
 DO 0
 DO 1
 DO 2
 DO 3
 DO 4
 DO 5
 DO 6
 DO 7

DO-BUS
 DO 0
 DO 1
 DO 2
 DO 3
 DO 4
 DO 5
 DO 6
 DO 7

DO-BUS
 DO 0
 DO 1
 DO 2
 DO 3
 DO 4
 DO 5
 DO 6
 DO 7

DO-BUS
 DO 0
 DO 1
 DO 2
 DO 3
 DO 4
 DO 5
 DO 6
 DO 7

DO-BUS
 DO 0
 DO 1
 DO 2
 DO 3
 DO 4
 DO 5
 DO 6
 DO 7

DO-BUS
 DO 0
 DO 1
 DO 2
 DO 3
 DO 4
 DO 5
 DO 6
 DO 7

DO-BUS
 DO 0
 DO 1
 DO 2
 DO 3
 DO 4
 DO 5
 DO 6
 DO 7

DO-BUS
 DO 0
 DO 1
 DO 2
 DO 3
 DO 4
 DO 5
 DO 6
 DO 7

DO-BUS
 DO 0
 DO 1
 DO 2
 DO 3
 DO 4
 DO 5
 DO 6
 DO 7

DO-BUS
 DO 0
 DO 1
 DO 2
 DO 3
 DO 4
 DO 5
 DO 6
 DO 7

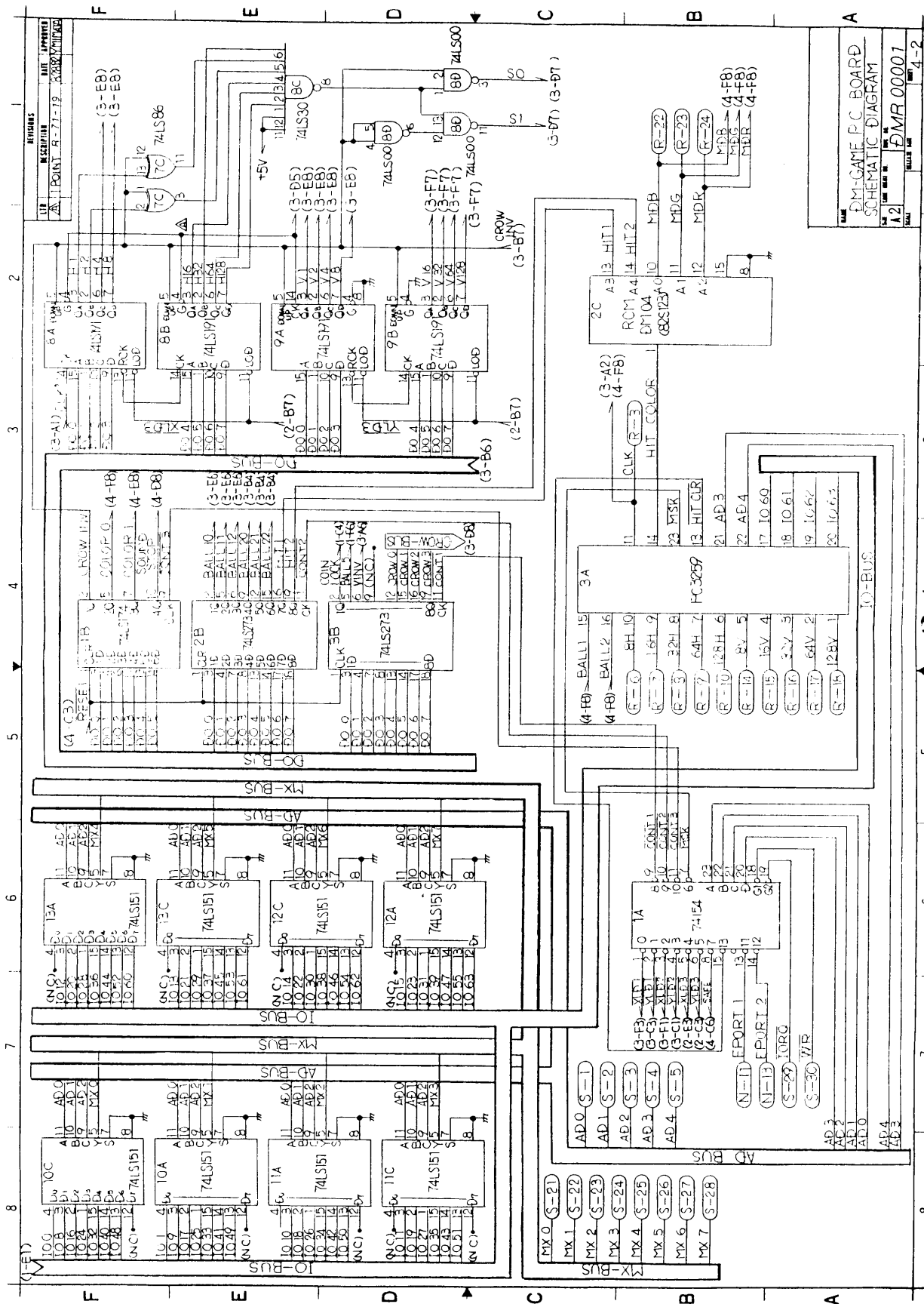
DO-BUS
 DO 0
 DO 1
 DO 2
 DO 3
 DO 4
 DO 5
 DO 6
 DO 7

DO-BUS
 DO 0
 DO 1
 DO 2
 DO 3
 DO 4
 DO 5
 DO 6
 DO 7

DO-BUS
 DO 0
 DO 1
 DO 2
 DO 3
 DO 4
 DO 5
 DO 6
 DO 7

DO-BUS
 DO 0
 DO 1
 DO 2
 DO 3
 DO 4
 DO 5
 DO 6
 DO 7

DO-BUS
 DO 0
 DO 1
 DO 2
 DO 3
 DO 4
 DO 5
 DO 6
 DO 7

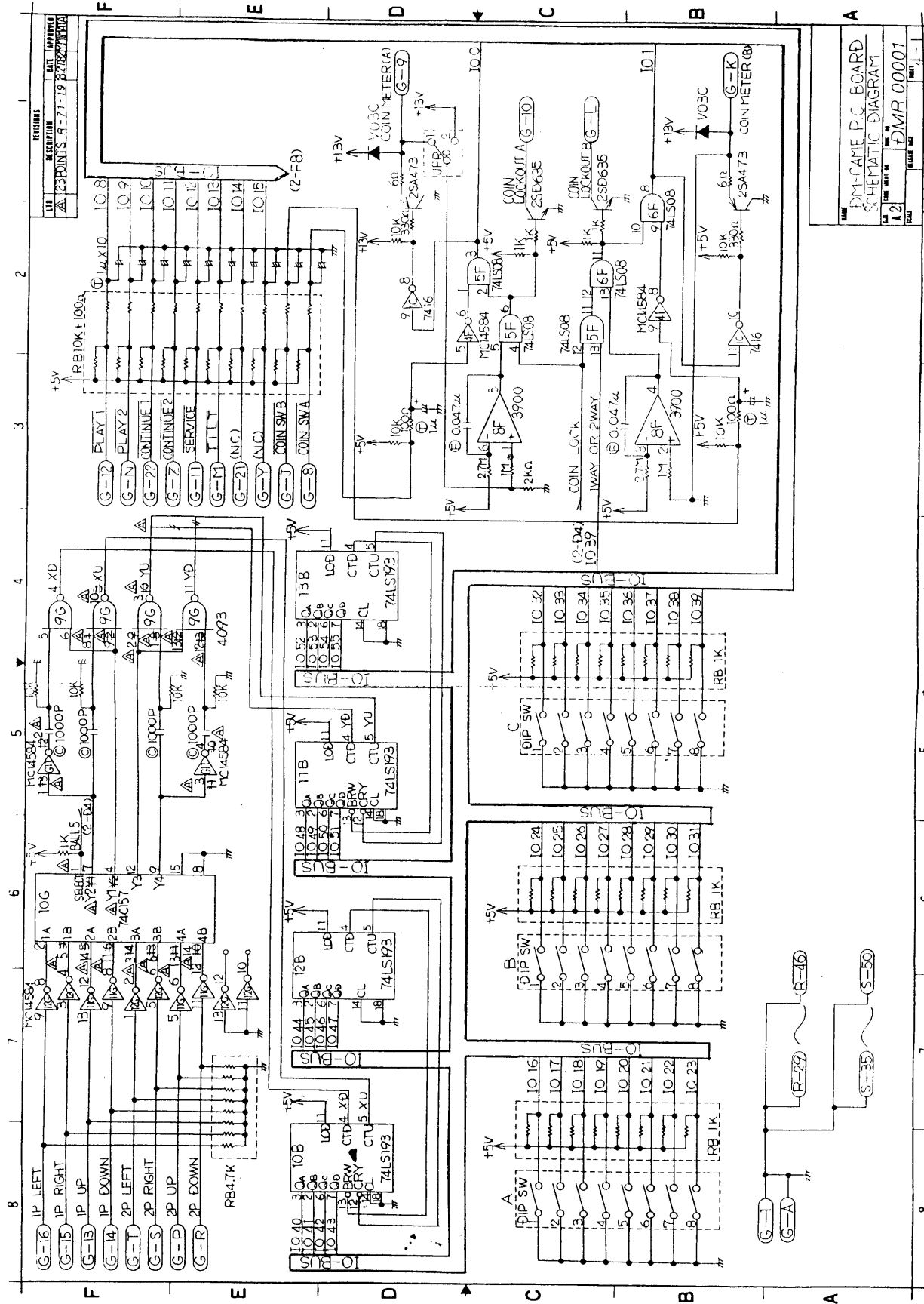


DM-GAME P.C. BOARD
SCHEMATIC DIAGRAM
DMR 00001

1 2 3 4 5 6 7 8

A B C D E F

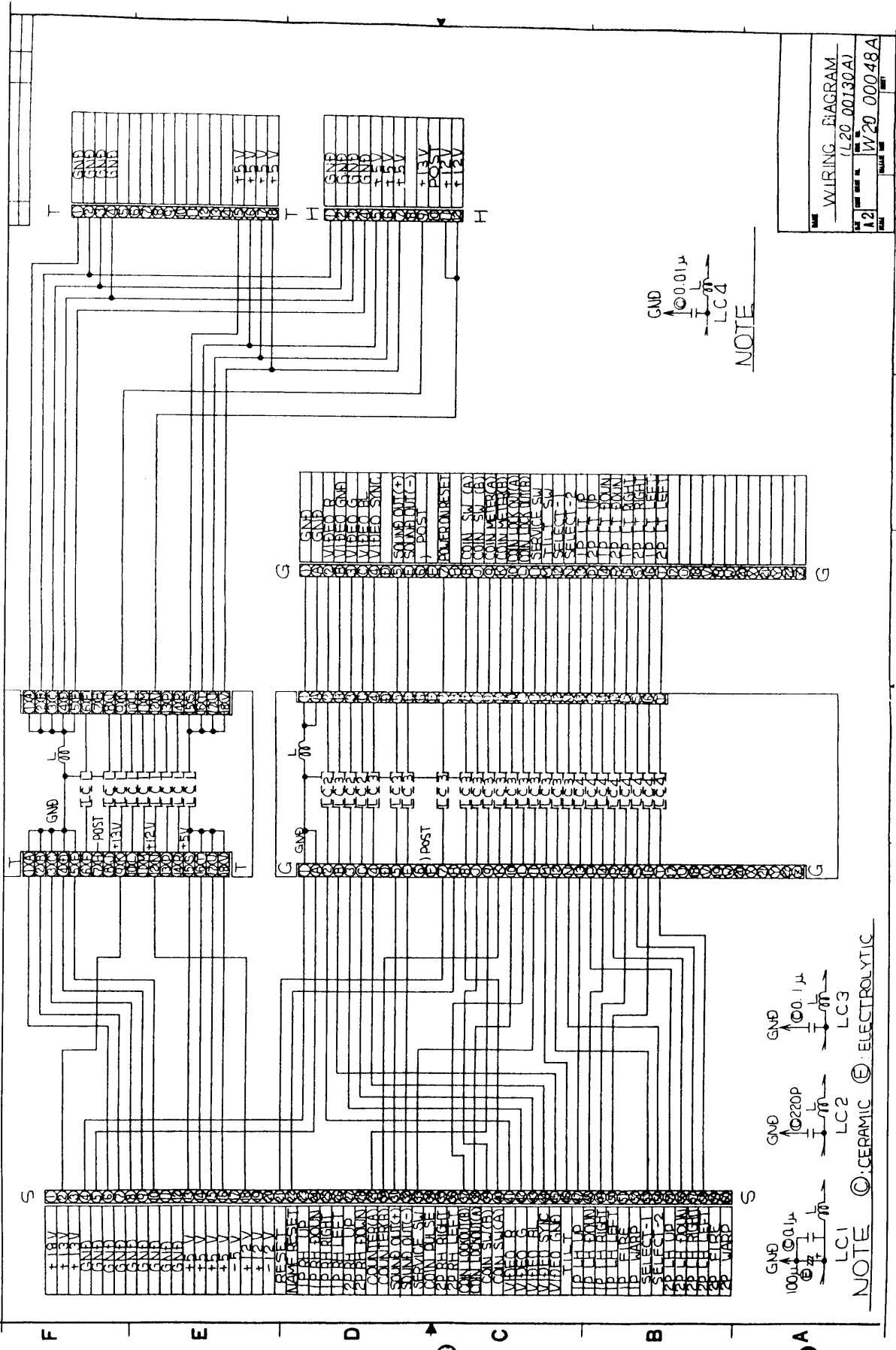
DMR 00001 4-2



DM-CAME PC BOARD
SCHEMATIC DIAGRAM
REV. 1
A 2
DMR 00007

10 16 1P LEFT
10 15 1P RIGHT
10 14 1P UP
10 13 1P DOWN
10 12 2P LEFT
10 11 2P RIGHT
10 10 2P UP
10 9 2P DOWN
10 8 RB4.7K

10 40 10A 10B
10 41 10C 10D
10 42 10E 10F
10 43 10G 10H
10 44 10I 10J
10 45 10K 10L
10 46 10M 10N
10 47 10O 10P
10 48 10Q 10R
10 49 10S 10T
10 50 10U 10V
10 51 10W 10X
10 52 10Y 10Z
10 53 10AA 10AB
10 54 10AC 10AD
10 55 10AE 10AF
10 56 10AG 10AH
10 57 10AI 10AJ
10 58 10AK 10AL
10 59 10AM 10AN
10 60 10AO 10AP
10 61 10AQ 10AR
10 62 10AS 10AT
10 63 10AU 10AV
10 64 10AW 10AX
10 65 10AY 10AZ
10 66 10BA 10BB
10 67 10BC 10BD
10 68 10BE 10BF
10 69 10BG 10BH
10 70 10BI 10BJ
10 71 10BK 10BL
10 72 10BM 10BN
10 73 10BO 10BP
10 74 10BQ 10BR
10 75 10BS 10BT
10 76 10BU 10BV
10 77 10BW 10BX
10 78 10BY 10BZ
10 79 10CA 10CB
10 80 10CC 10CD
10 81 10CE 10CF
10 82 10CG 10CH
10 83 10CI 10CJ
10 84 10CK 10CL
10 85 10CM 10CN
10 86 10CO 10CP
10 87 10CQ 10CR
10 88 10CS 10CT
10 89 10CU 10CV
10 90 10CW 10CX
10 91 10CY 10CZ
10 92 10DA 10DB
10 93 10DC 10DD
10 94 10DE 10DF
10 95 10DG 10DH
10 96 10DI 10DJ
10 97 10DK 10DL
10 98 10DM 10DN
10 99 10DO 10DP
10 100 10DQ 10DR
10 101 10DS 10DT
10 102 10DU 10DV
10 103 10DW 10DX
10 104 10DY 10DZ
10 105 10EA 10EB
10 106 10EC 10ED
10 107 10EE 10EF
10 108 10EG 10EH
10 109 10EI 10EJ
10 110 10EK 10EL
10 111 10EM 10EN
10 112 10EO 10EP
10 113 10EQ 10ER
10 114 10ES 10ET
10 115 10EU 10EV
10 116 10EW 10EX
10 117 10EY 10EZ
10 118 10FA 10FB
10 119 10FC 10FD
10 120 10FE 10FF
10 121 10FG 10FH
10 122 10FI 10FJ
10 123 10FK 10FL
10 124 10FM 10FN
10 125 10FO 10FP
10 126 10FQ 10FR
10 127 10FS 10FT
10 128 10FU 10FV
10 129 10FW 10FX
10 130 10FY 10FZ
10 131 10GA 10GB
10 132 10GC 10GD
10 133 10GE 10GF
10 134 10GG 10GH
10 135 10GI 10GJ
10 136 10GK 10GL
10 137 10GM 10GN
10 138 10GO 10GP
10 139 10GQ 10GR
10 140 10GS 10GT
10 141 10GU 10GV
10 142 10GW 10GX
10 143 10GY 10GZ
10 144 10HA 10HB
10 145 10HC 10HD
10 146 10HE 10HF
10 147 10HG 10HH
10 148 10HI 10HJ
10 149 10HK 10HL
10 150 10HM 10HN
10 151 10HO 10HP
10 152 10HQ 10HR
10 153 10HS 10HT
10 154 10HU 10HV
10 155 10HW 10HX
10 156 10HY 10HZ
10 157 10IA 10IB
10 158 10IC 10ID
10 159 10IE 10IF
10 160 10IG 10IH
10 161 10II 10IJ
10 162 10IK 10IL
10 163 10IM 10IN
10 164 10IO 10IP
10 165 10IQ 10IR
10 166 10IS 10IT
10 167 10IU 10IV
10 168 10IW 10IX
10 169 10IY 10IZ
10 170 10JA 10JB
10 171 10JC 10JD
10 172 10JE 10JF
10 173 10JG 10JH
10 174 10JI 10JJ
10 175 10JK 10JL
10 176 10JM 10JN
10 177 10JO 10JP
10 178 10JQ 10JR
10 179 10JS 10JT
10 180 10JU 10JV
10 181 10JW 10JX
10 182 10JY 10JZ
10 183 10KA 10KB
10 184 10KC 10KD
10 185 10KE 10KF
10 186 10KG 10KH
10 187 10KI 10KJ
10 188 10KK 10KL
10 189 10KM 10KN
10 190 10KO 10KP
10 191 10KQ 10KR
10 192 10KS 10KT
10 193 10KU 10KV
10 194 10KW 10KX
10 195 10KY 10KZ
10 196 10LA 10LB
10 197 10LC 10LD
10 198 10LE 10LF
10 199 10LG 10LH
10 200 10LI 10LJ
10 201 10LK 10LL
10 202 10LM 10LN
10 203 10LO 10LP
10 204 10LQ 10LR
10 205 10LS 10LT
10 206 10LU 10LV
10 207 10LW 10LX
10 208 10LY 10LZ
10 209 10MA 10MB
10 210 10MC 10MD
10 211 10ME 10MF
10 212 10MG 10MH
10 213 10MI 10MJ
10 214 10MK 10ML
10 215 10MM 10MN
10 216 10MO 10MP
10 217 10MQ 10MR
10 218 10MS 10MT
10 219 10MU 10MV
10 220 10MW 10MX
10 221 10MY 10MZ
10 222 10NA 10NB
10 223 10NC 10ND
10 224 10NE 10NF
10 225 10NG 10NH
10 226 10NI 10NJ
10 227 10NK 10NL
10 228 10NM 10NN
10 229 10NO 10NP
10 230 10NQ 10NR
10 231 10NS 10NT
10 232 10NU 10NV
10 233 10NW 10NX
10 234 10NY 10NZ
10 235 10OA 10OB
10 236 10OC 10OD
10 237 10OE 10OF
10 238 10OG 10OH
10 239 10OI 10OJ
10 240 10OK 10OL
10 241 10OM 10ON
10 242 10OO 10OP
10 243 10OQ 10OR
10 244 10OS 10OT
10 245 10OU 10OV
10 246 10OW 10OX
10 247 10OY 10OZ
10 248 10PA 10PB
10 249 10PC 10PD
10 250 10PE 10PF
10 251 10PG 10PH
10 252 10PI 10PJ
10 253 10PK 10PL
10 254 10PM 10PN
10 255 10PO 10PP
10 256 10PQ 10PR
10 257 10PS 10PT
10 258 10PU 10PV
10 259 10PW 10PX
10 260 10PY 10PZ
10 261 10QA 10QB
10 262 10QC 10QD
10 263 10QE 10QF
10 264 10QG 10QH
10 265 10QI 10QJ
10 266 10QK 10QL
10 267 10QM 10QN
10 268 10QO 10QP
10 269 10QQ 10QR
10 270 10QS 10QT
10 271 10QU 10QV
10 272 10QW 10QX
10 273 10QY 10QZ
10 274 10RA 10RB
10 275 10RC 10RD
10 276 10RE 10RF
10 277 10RG 10RH
10 278 10RI 10RJ
10 279 10RK 10RL
10 280 10RM 10RN
10 281 10RO 10RP
10 282 10RQ 10RR
10 283 10RS 10RT
10 284 10RU 10RV
10 285 10RW 10RX
10 286 10RY 10RZ
10 287 10SA 10SB
10 288 10SC 10SD
10 289 10SE 10SF
10 290 10SG 10SH
10 291 10SI 10SJ
10 292 10SK 10SL
10 293 10SM 10SN
10 294 10SO 10SP
10 295 10SQ 10SR
10 296 10SS 10ST
10 297 10SU 10SV
10 298 10SW 10SX
10 299 10SY 10SZ
10 300 10TA 10TB
10 301 10TC 10TD
10 302 10TE 10TF
10 303 10TG 10TH
10 304 10TI 10TJ
10 305 10TK 10TL
10 306 10TM 10TN
10 307 10TO 10TP
10 308 10TQ 10TR
10 309 10TS 10TT
10 310 10TU 10TV
10 311 10TW 10TX
10 312 10TY 10TZ
10 313 10UA 10UB
10 314 10UC 10UD
10 315 10UE 10UF
10 316 10UG 10UH
10 317 10UI 10UJ
10 318 10UK 10UL
10 319 10UM 10UN
10 320 10UO 10UP
10 321 10UQ 10UR
10 322 10US 10UT
10 323 10UU 10UV
10 324 10UW 10UX
10 325 10UY 10UZ
10 326 10VA 10VB
10 327 10VC 10VD
10 328 10VE 10VF
10 329 10VG 10VH
10 330 10VI 10VJ
10 331 10VK 10VL
10 332 10VM 10VN
10 333 10VO 10VP
10 334 10VQ 10VR
10 335 10VS 10VT
10 336 10VU 10VV
10 337 10VW 10VX
10 338 10VY 10VZ
10 339 10WA 10WB
10 340 10WC 10WD
10 341 10WE 10WF
10 342 10WG 10WH
10 343 10WI 10WJ
10 344 10WK 10WL
10 345 10WM 10WN
10 346 10WO 10WP
10 347 10WQ 10WR
10 348 10WS 10WT
10 349 10WU 10WV
10 350 10WW 10WX
10 351 10WY 10WZ
10 352 10XA 10XB
10 353 10XC 10XD
10 354 10XE 10XF
10 355 10XG 10XH
10 356 10XI 10XJ
10 357 10XK 10XL
10 358 10XM 10XN
10 359 10XO 10XP
10 360 10XQ 10XR
10 361 10XS 10XT
10 362 10XU 10XV
10 363 10XW 10XZ
10 364 10YA 10YB
10 365 10YC 10YD
10 366 10YE 10YF
10 367 10YG 10YH
10 368 10YI 10YJ
10 369 10YK 10YL
10 370 10YM 10YN
10 371 10YO 10YP
10 372 10YQ 10YR
10 373 10YS 10YT
10 374 10YU 10YV
10 375 10YW 10YZ
10 376 10ZA 10ZB
10 377 10ZC 10ZD
10 378 10ZE 10ZF
10 379 10ZG 10ZH
10 380 10ZI 10ZJ
10 381 10ZK 10ZL
10 382 10ZM 10ZN
10 383 10ZO 10ZP
10 384 10ZQ 10ZR
10 385 10ZS 10ZT
10 386 10ZU 10ZV
10 387 10ZW 10ZX
10 388 10ZY 10ZZ
10 389 10AA 10AB
10 390 10AC 10AD
10 391 10AE 10AF
10 392 10AG 10AH
10 393 10AI 10AJ
10 394 10AK 10AL
10 395 10AM 10AN
10 396 10AO 10AP
10 397 10AQ 10AR
10 398 10AS 10AT
10 399 10AU 10AV
10 400 10AW 10AX
10 401 10AY 10AZ
10 402 10BA 10BB
10 403 10BC 10BD
10 404 10BE 10BF
10 405 10BG 10BH
10 406 10BI 10BJ
10 407 10BK 10BL
10 408 10BM 10BN
10 409 10BO 10BP
10 410 10BQ 10BR
10 411 10BS 10BT
10 412 10BU 10BV
10 413 10BW 10BX
10 414 10BY 10BZ
10 415 10CA 10CB
10 416 10CC 10CD
10 417 10CE 10CF
10 418 10CG 10CH
10 419 10CI 10CJ
10 420 10CK 10CL
10 421 10CM 10CN
10 422 10CO 10CP
10 423 10CQ 10CR
10 424 10CS 10CT
10 425 10CU 10CV
10 426 10CW 10CX
10 427 10CY 10CZ
10 428 10DA 10DB
10 429 10DC 10DD
10 430 10DE 10DF
10 431 10DG 10DH
10 432 10DI 10DJ
10 433 10DK 10DL
10 434 10DM 10DN
10 435 10DO 10DP
10 436 10DQ 10DR
10 437 10DS 10DT
10 438 10DU 10DV
10 439 10DW 10DX
10 440 10DY 10DZ
10 441 10EA 10EB
10 442 10EC 10ED
10 443 10EE 10EF
10 444 10EG 10EH
10 445 10EI 10EJ
10 446 10EK 10EL
10 447 10EM 10EN
10 448 10EO 10EP
10 449 10EQ 10ER
10 450 10ES 10ET
10 451 10EU 10EV
10 452 10EW 10EX
10 453 10EY 10EZ
10 454 10FA 10FB
10 455 10FC 10FD
10 456 10FE 10FF
10 457 10FG 10FH
10 458 10FI 10FJ
10 459 10FK 10FL
10 460 10FM 10FN
10 461 10FO 10FP
10 462 10FQ 10FR
10 463 10FS 10FT
10 464 10FU 10FV
10 465 10FW 10FX
10 466 10FY 10FZ
10 467 10GA 10GB
10 468 10GC 10GD
10 469 10GE 10GF
10 470 10GG 10GH
10 471 10GI 10GJ
10 472 10GK 10GL
10 473 10GM 10GN
10 474 10GO 10GP
10 475 10GQ 10GR
10 476 10GS 10GT
10 477 10GU 10GV
10 478 10GW 10GX
10 479 10GY 10GZ
10 480 10HA 10HB
10 481 10HC 10HD
10 482 10HE 10HF
10 483 10HG 10HH
10 484 10HI 10HJ
10 485 10HK 10HL
10 486 10HM 10HN
10 487 10HO 10HP
10 488 10HQ 10HR
10 489 10HS 10HT
10 490 10HU 10HV
10 491 10HW 10HX
10 492 10HY 10HZ
10 493 10IA 10IB
10 494 10IC 10ID
10 495 10IE 10IF
10 496 10IG 10IH
10 497 10II 10IJ
10 498 10IK 10IL
10 499 10IM 10IN
10 500 10IO 10IP
10 501 10IQ 10IR
10 502 10IS 10IT
10 503 10IU 10IV
10 504 10IW 10IX
10 505 10IY 10IZ
10 506 10JA 10JB
10 507 10JC 10JD
10 508 10JE 10JF
10 509 10JG 10JH
10 510 10JI 10JJ
10 511 10JK 10JL
10 512 10JM 10JN
10 513 10JO 10JP
10 514 10JQ 10JR
10 515 10JS 10JT
10 516 10JU 10JV
10 517 10JW 10JX
10 518 10JY 10JZ
10 519 10KA 10KB
10 520 10KC 10KD
10 521 10KE 10KF
10 522 10KG 10KH
10 523 10KI 10KJ
10 524 10KM 10KN
10 525 10KO 10KP
10 526 10KQ 10KR
10 527 10KS 10KT
10 528 10KU 10KV
10 529 10KW 10KX
10 530 10KY 10KZ
10 531 10LA 10LB
10 532 10LC 10LD
10 533 10LE 10LF
10 534 10LG 10LH
10 535 10LI 10LJ
10 536 10LK 10LL
10 537 10LM 10LN
10 538 10LO 10LP
10 539 10LQ 10LR
10 540 10LS 10LT
10 541 10LU 10LV
10 542 10LW 10LX
10 543 10LY 10LZ
10 544 10MA 10MB
10 545 10MC 10MD
10 546 10ME 10MF
10 547 10MG 10MH
10 548 10MI 10MJ
10 549 10MK 10ML
10 550 10MM 10MN
10 551 10MO 10MP
10 552 10MQ 10MR
10 553 10MS 10MT
10 554 10MU 10MV
10 555 10MW 10MX
10 556 10MY 10MZ
10 557 10NA 10NB
10 558 10NC 10ND
10 559 10NE 10NF
10 560 10NG 10NH
10 561 10NI 10NJ
10 562 10NK 10NL
10 563 10NM 10NN
10 564 10NO 10NP
10 565 10NQ 10NR
10 566 10NS 10NT
10 567 10NU 10NV
10 568 10NW 10NX
10 569 10NY 10NZ
10 570 10OA 10OB
10 571 10OC 10OD
10 572 10OE 10OF
10 573 10OG 10OH
10 574 10OI 10OJ
10 575 10OK 10OL
10 576 10OM 10ON
10 577 10OO 10OP
10 578 10OQ 10OR
10 579 10OS 10OT
10 580 10OU 10OV
10 581 10OW 10OX
10 582 10OY 10OZ
10 583 10PA 10PB
10 584 10PC 10PD
10 585 10PE 10PF
10 586 10PG 10PH
10 587 10PI 10PJ
10 588 10PK 10PL
10 589 10PM 10PN
10 590 10PO 10PP
10 591 10PQ 10PR
10 592 10PS 10PT
10 593 10PU 10PV
10 594 10PW 10PX
10 595 10PY 10PZ
10 596 10QA 10QB
10 597 10QC 10QD
10 598 10QE 10QF
10 599 10QG 10QH
10 600 10QI 10QJ
10 601 10QK 10QL
10 602 10QM 10QN
10 603 10QO 10QP
10 604 10QQ 10QR
10 605 10QS 10QT
10 606 10QU 10QV
10 607 10QW 10QX
10 608 10QY 10QZ
10 609 10RA 10RB
10 610 10RC 10RD
10 611 10RE 10RF
10 612 10RG 10RH
10 613 10RI 10RJ
10 614 10RK 10RL
10 615 10RM 10RN
10 616 10RO 10RP
10 617 10RQ 10RR
10 618 10RS 10RT
10 619 10RU 10RV
10 620 10RW 10RX
10 621 10RY 10RZ
10 622 10SA 10SB
10 623 10SC 10SD
10 624 10SE 10SF
10 625 10SG 10SH
10 626 10SI 10SJ
10 627 10SK 10SL
10 628 10SM 10SN
10 629 10SO 10SP
10 630 10SQ 10SR
10 631 10SS 10ST
10 632 10SU 10SV
10 633 10SW 10SX
10 634 10SY 10SZ
10 635 10TA 10TB
10 636 10TC 10TD
10 637 10TE 10TF
10 638 10TG 10TH
10 639 10TI 10TJ
10 640 10TK 10TL
10 641 10TM 10TN
10 642 10TO 10TP
10 643 10TQ 10TR
10 644 10TS 10TT
10 645 10TU 10TV
10 646 10TW 10TX
10 647 10TY 10TZ
10 648 10UA 10UB
10 649 10UC 10UD
10 650 10UE 10UF
10 651 10UG 10UH
10 652 10UI 10UJ
10 653 10UK 10UL
10 654 10UM 10UN
10 655 10UO 10UP
10 656 10UQ 10UR
10 657 10US 10UT
10 658 10UU 10UV
10 659 10UW 10UX
10 660 10UY 10UZ
10 661 10VA 10VB
10 662 10VC 10VD
10 663 10VE 10VF
10 664 10VG 10VH
10 665 10VI 10VJ
10 666 10VK 10VL
10 667 10VM 10VN
10 668 10VO 10VP
10 669 10VQ 10VR
10 670 10VS 10VT
10 671 10VU 10VW
10 672 10VX
10 673 10VY
10 674 10VZ
10 675 10WA 10WB
10 676 10WC 10WD
10 677 10WE 10WF
10 678 10WG 10WH
10 679 10WI 10WJ
10 680 10WK 10WL
10 681 10WM 10WN
10 682 10WO 10WP
10 683 10WQ 10WR
10 684 10WS 10WT
10 685 10WU 10WV
10 686 10WZ
10 687 10XA 10XB
10 688 10XC 10XD
10 689 10XE 10XF
10 690 10XG 10XH
10 691 10XI 10XJ
10 692 10XK 10XL
10 693 10XM 10XN
10 694 10XO 10XP
10 695 10XQ 10XR
10 696 10XS 10XT
10 697 10XU 10XV
10 698 10XW 10XZ
10 699 10YA 10YB
10 700 10YC 10YD
10 701 10YE 10YF
10 702 10YG 10YH
10 703 10YI 10YJ
10 704 10YK 10YL
10 705 10YM 10YN
10 706 10YO 10YP
10 707 10YQ 10YR
10 708 10YS 10YT
10 709 10YU 10YV
10 710 10YW 10YX
10 711 10YZ
10 712 10ZA 10ZB
10 713 10ZC 10ZD
10 714 10ZE 10ZF
10 715 10ZG 10ZH
10 716 10ZI 10ZJ
10 717 10ZK 10ZL
10 718 10ZM 10ZN
10 719 10ZO 10ZP
10 720 10ZQ 10ZR
10 721 10ZS 10ZT
10 722 10ZU 10ZV
10 723 10ZW 10ZX
10 724 10ZY 10ZZ
10 725 10AA 10AB
10 726 10AC 10AD
10 727 10AE 10AF
10 728 10AG 10AH
10 729 10AI 10AJ
10 730 10AK 10AL
10 731 10AM 10AN
10 732 10AO 10AP
10 733 10AQ 10AR
10 734 10AS 10AT
10 735 10AU 10AV
10 736 10AW 10AX
10 737 10AY 10AZ
10 738 10BA 10BB
10 739 10BC 10BD
10 740 10BE 10BF
10 741 10BG 10BH
10 742 10BI 10BJ
10 743 10BK 10BL
10 744 10BM 10BN
10 745



WIRING DIAGRAM
 (L20_00130A)
 W20_00048A

NOTE
 GND
 0.01µF
 LC4

NOTE
 100µF CERAMIC
 0.22µF CERAMIC
 0.1µF ELECTROLYTIC