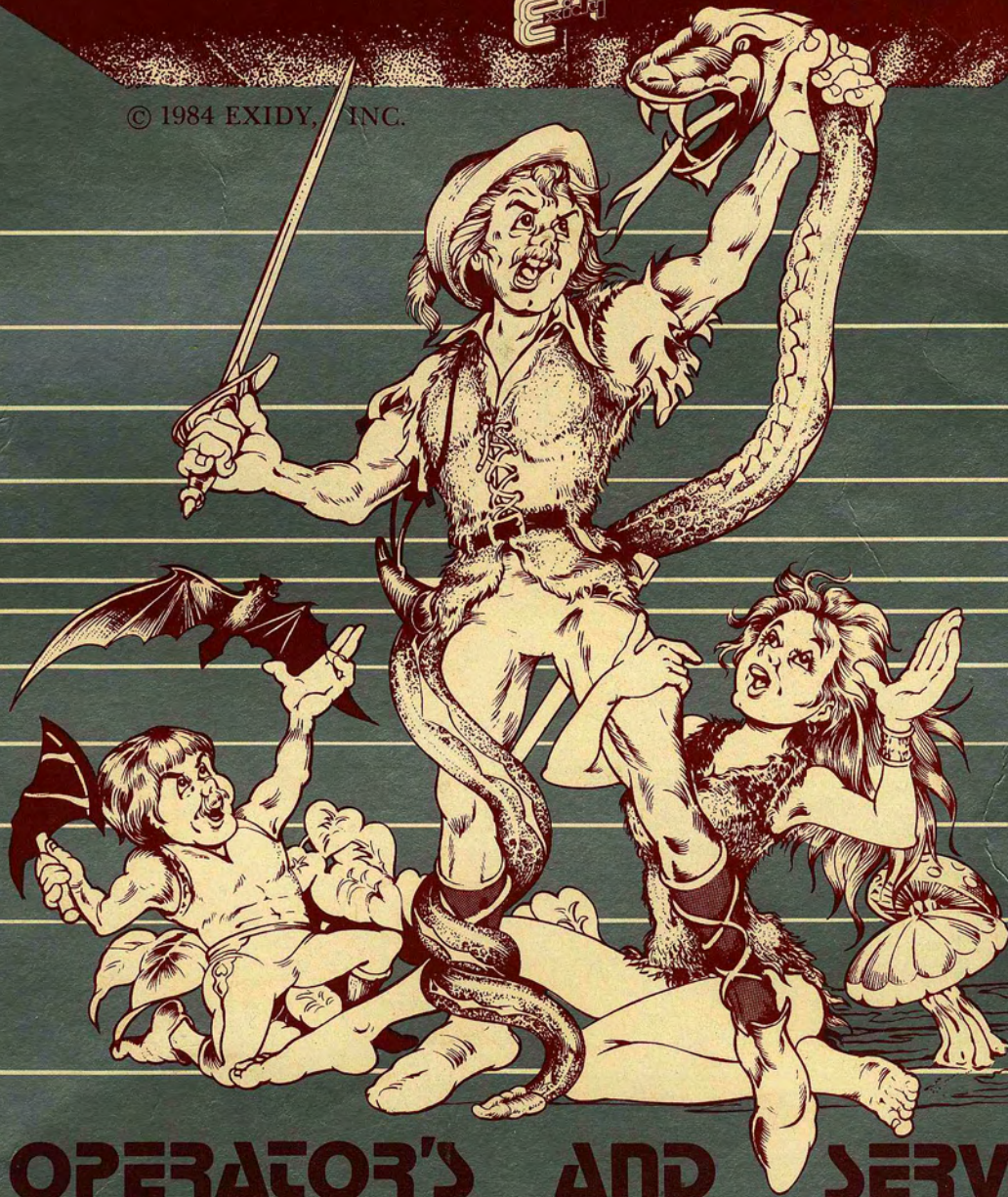




© 1984 EXIDY, INC.



# OPERATOR'S AND SERVICE MANUAL

VERSION-2.0





SECOND EDITION

# OPERATOR'S AND SERVICE MANUAL

©1983 Exidy, Inc.

390 Java Drive, Sunnyvale, California 94089-1271  
Telephone: (408) 734-9410 Toll-free: (800) 538-8402  
Telex: 357-499 (EXIDY MNTV)





## PROPRIETARY NOTICE

The contents of this manual are the property of EXIDY, INC. not to be copied or reproduced in any manner whatsoever, nor disseminated in any form to any person who is not a **Crossbow** user without the permission of EXIDY.



## **COPYRIGHT**

Copyright ©1983 by EXIDY, INC. All rights reserved. No part of this publication may be reproduced, transmitted, transcribed, stored in a retrieval system, or translated into any language in any form, or by any means without the prior written permission of EXIDY, INC. 390 Java Drive, Sunnyvale, California 94089.

## **DISCLAIMER**

EXIDY, INC. makes no representations or warranties with respect to the contents hereof and specifically disclaims any implied warranties of merchantability or fitness for any particular purpose. Further, Exidy, Inc. reserves the right to revise this publication from time to time in the content hereof without obligation of Exidy, Inc. to notify any person of such revision or changes.

## **TRADEMARKS**

**Crossbow™** is a trademark of Exidy, Inc.

## **WARNING**

This equipment generates, uses and can radiate radio frequency energy and if not installed and used in accordance with the instruction manual, may cause interference to radio communications. It has been tested and found to comply with the limits for a Class A computing device pursuant to Subpart J of Part 15 of FCC Rules which are designed to provide reasonable protection against such interference when operated in a commercial environment. Operation of this equipment in a residential area is likely to cause interference in which case the user at his own expense will be required to take whatever measure may be required to correct the interference.

## **QUESTIONS**

EXIDY encourages technicians to use the toll-free customer service hotline for any questions they may have regarding **Crossbow™**.

That number is (800) 538-8402.



## FOREWORD

**PART ONE:**

Contains Preliminary Procedures, describing game inspection, installation, and checkout.

**PART TWO:**

Adjustment procedures are given for Power Supply, Audio Volume, Selectable Options, Gun Sight Alignment and Optical Sensitivity Adjustment.

**PART THREE:**

Modes of Operation, describes the four **CROSSBOW™** modes: Automatic Self-Diagnostic Test Mode, Manual Diagnostic Mode, Attract Mode, and Game Play Mode.

**PART FOUR:**

Contains the Electrical Schematics.

**PART FIVE:**

Contains the Mechanical and the Electronic Part Breakdown.







## TABLE OF CONTENTS

### I. PRELIMINARY PROCEDURE

1. GAME INSPECTION .....	1
2. VISUAL INSPECTION .....	1
3. FILING A CLAIM .....	1
4. INSTALLATION .....	2
5. MAJOR COMPONENTS .....	3
6. GUN STOCK INSTALLATION .....	4
7. PRELIMINARY CHECKOUT PROCEDURE .....	5

### II. ADJUSTMENTS

1. POWER SUPPLY INFORMATION AND ADJUSTMENTS .....	9
2. AUDIO BOARD ADJUSTMENT .....	9
3. OPERATOR SELECTABLE OPTIONS .....	10
a. Coinage .....	10
b. Starting Number of Friends .....	10
c. Game Play Difficulty .....	10
4. OPTICAL SENSITIVITY ADJUSTMENT .....	11
5. GUN SIGHT ALIGNMENT .....	12

### III. MODES OF OPERATION

1. AUTOMATIC SELF-DIAGNOSTIC TEST MODE .....	15
2. MANUAL DIAGNOSTIC MODE .....	15
3. THE ATTRACT MODE .....	16
4. GAME PLAY MODE .....	17

### IV. SCHEMATICS

1. WIRING DIAGRAM .....	21
2. LOGIC PCB .....	22-27
3. AUDIO PCB .....	28-31
4. OPTICAL PCB .....	32
5. POWER SUPPLIES .....	33-34

### V. PARTS LIST

1. MECHANICAL .....	37-39
2. LOGIC PCB .....	40-42
3. AUDIO PCB .....	43
4. POWER SUPPLY .....	45
5. OPTICAL PCB .....	46
6. MISC .....	46

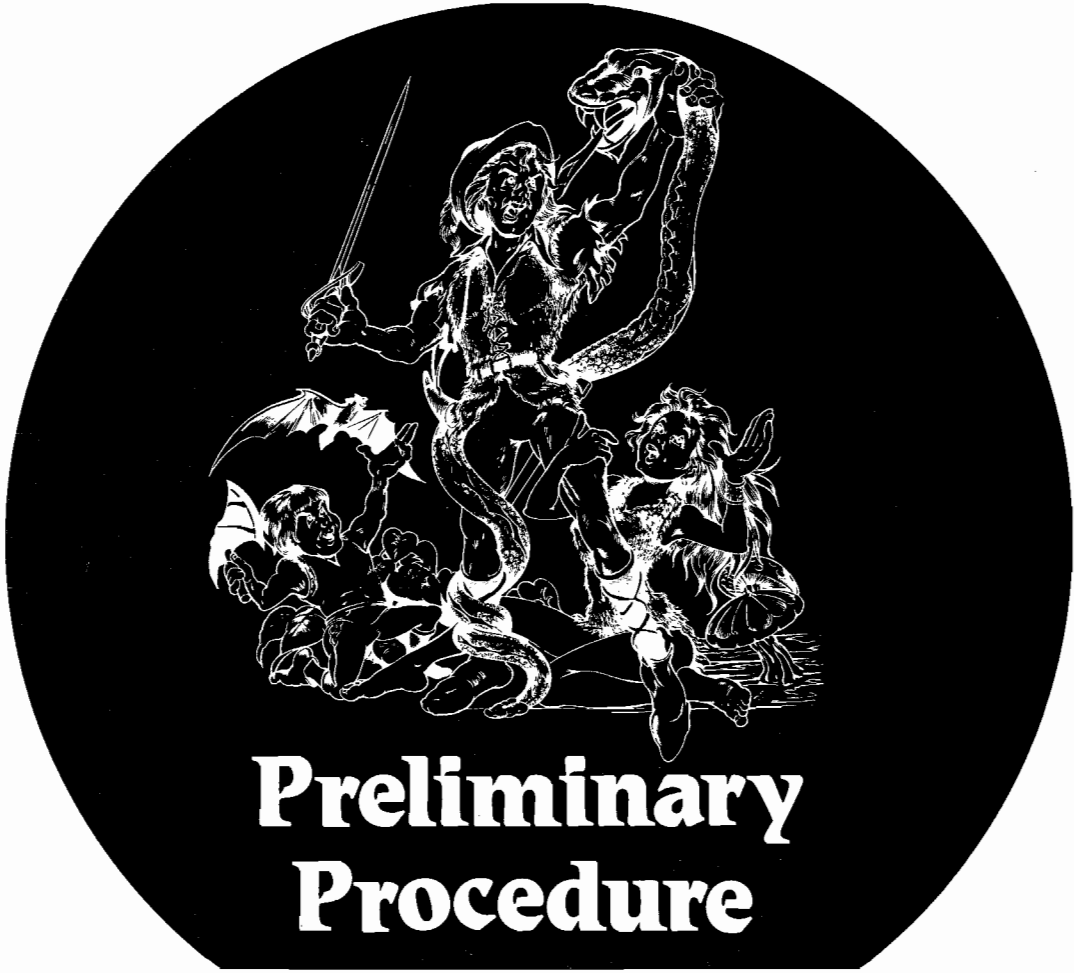






## LIST OF ILLUSTRATIONS

<b>1. Major Component Locations</b> .....	<b>3</b>
a. PCB Assembly Locations .....	3
b. Rear Access Panel .....	3
<b>2. Crossbow™ Stock</b> .....	<b>4&amp;8</b>
<b>3. Gun Sight Alignment</b> .....	<b>5&amp;8</b>
<b>4. Power Supply and Volume Adjustment</b> .....	<b>9</b>
<b>5. Gun Stock</b> .....	<b>9</b>
<b>6. Optical Adjustment</b> .....	<b>11</b>
<b>7. Gun Sight Alignment</b> .....	<b>12</b>
<b>8. EPROM and RAM Error Code Locations</b> .....	<b>17</b>
<b>9. Play Select</b> .....	<b>18</b>
<b>10. Wiring Diagram</b> .....	<b>21</b>
<b>11. Gun Assembly</b> .....	<b>38</b>
<b>12. Logic PCB</b> .....	<b>40</b>
<b>13. Audio PCB</b> .....	<b>43</b>
<b>14. Power Supply</b> .....	<b>45</b>
<b>15. Optical PCB</b> .....	<b>46</b>



**Preliminary  
Procedure**



## PRELIMINARY PROCEDURE

### GAME INSPECTION

All **Exidy** equipment is carefully packaged in well-padded cardboard containers to prevent damage during shipment. Before signing the delivery receipt, you should follow this procedure:

1. Check for obvious damage and make certain that the physical piece count of the shipment matches the piece count on the bill of lading. These two procedures should always be done before signing the delivery receipt.
2. Shortages and/or obvious damage to the packaging on any given shipment should be noted in writing on the delivery receipt before signing for the delivery.
3. If concealed damage is suspected on any shipment, those packages believed to contain the damaged goods should be opened in the presence of the delivery driver. If the goods have sustained concealed damage, a description of said damage should be noted in writing on the delivery receipt before signing for the delivery.
4. Never apply power to any game with noticeable damage.

### VISUAL INSPECTION

1. Remove the rear and front access doors with the appropriate packaged key.
2. Examine each major and electrical component thoroughly for scrapes, dents, broken or missing parts and loosening screws.
3. Check for loose cable connectors.
4. Visually verify that all the integrated circuit devices (IC's) plugged into sockets are properly seated and that no IC pins are bent or misaligned.

If you find any damage during this inspection, file a claim with the carrier. Send a complete report of the damage to **Exidy Inc.**

### FILING A CLAIM

TO FILE A CLAIM, FOLLOW THIS PROCEDURE:

1. Any and all damaged freight, including packaging, should be retained by the consignee until a physical inspection of said freight can be made by a representative of the carrier involved.
2. The Claims Manager for the carrier involved should be notified as soon as possible after the damaged goods are received. Preferably, the carrier's Claims Manager should be notified within forty-eight (48) hours of receipt of the goods by the consignee.

If warranted, a written claim must be filed with the carrier(s) involved. A detailed description of the damage(s) must be provided including copies of delivery receipt and/or bill of lading, inspection report and invoice.

The carrier(s) to which a claim has been filed against is required by law to respond to within thirty (30) days after receiving your claim and must reach a final disposition in the matter within one hundred twenty (120) days.

## QUESTIONS

*Exidy encourages technicians to use the toll-free customer service hotline for any questions they may have regarding **CROSSBOW™**. That number is (800) 538-8402.*



## INSTALLATION

Planning the location of the game should involve both physical and electrical considerations. Such physical considerations concern the placement of the equipment with respect to these clearances:

- HEIGHT: 80.00 inches, 203.2 cm.
- WEIGHT: 25.25 inches, 65.1 cm.
- DEPTH: 35.00 inches, 88.9 cm.

An indoor, relatively dust-free environment is necessary, with proper conditions required of any electrical component. Electrical considerations include availability of an AC outlet with the correct voltage and frequency. You should consider the working space required for technicians and operators including access to the rear of the game.

### NOTE:

*The cabinet must be within five feet of an AC outlet. Be certain that a ground jack or terminal is available at the outlet.*

### CAUTION:

*DO NOT remove the AC ground prong from the plug. Doing so  
**VOIDS YOUR WARRANTY!***

---



## MAJOR COMPONENTS

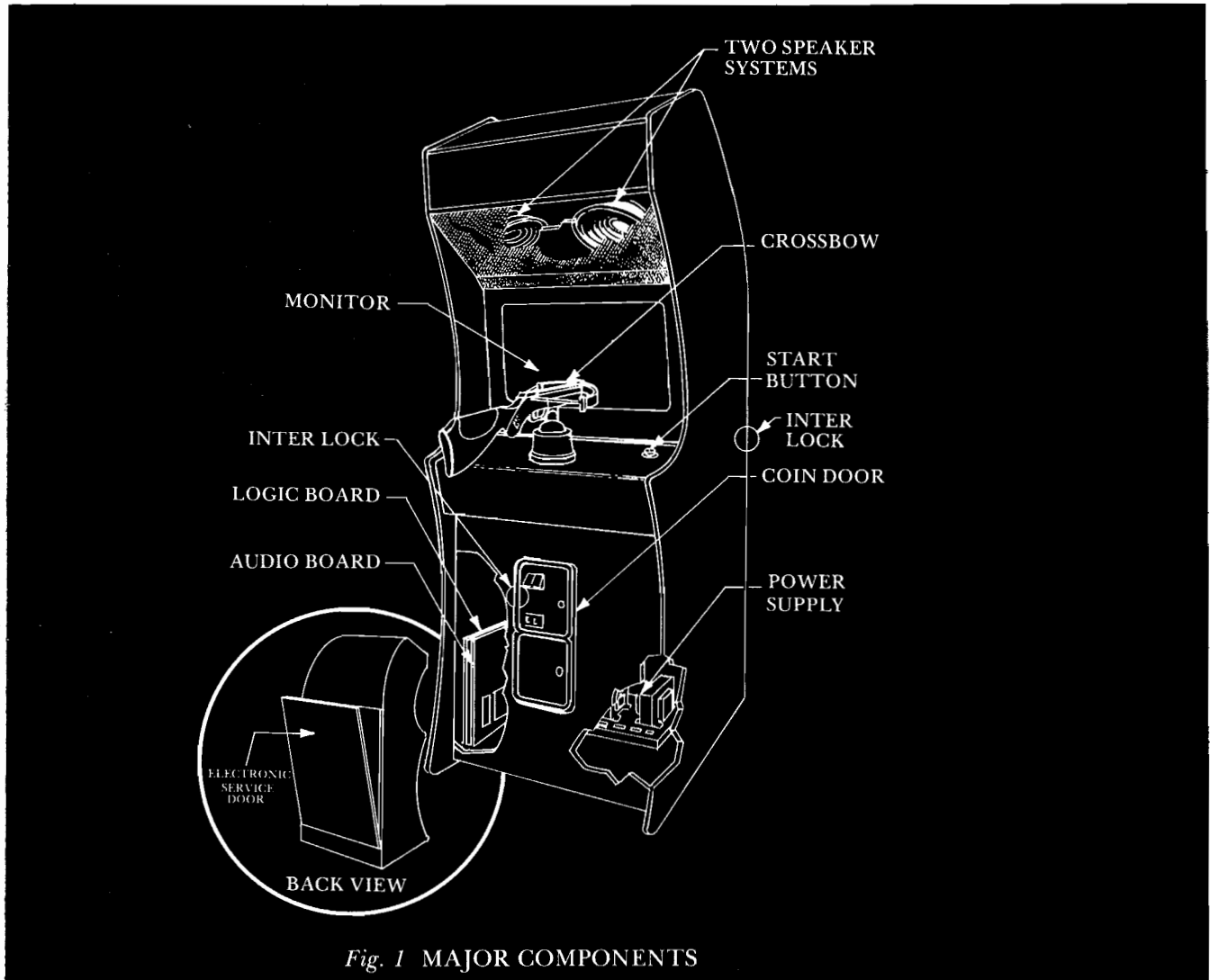
The **Crossbow™** game is a colorfully illustrated upright video game with high resolution graphics. A more detailed game play is located in the Game Description chapter of this manual.

The major components of your Crossbow game are illustrated in (See Fig. 1). These major components are the following:

- Crossbow™ Gun
- Coin Mechanism
- Monitor Chassis
- Power Supply Chassis
- Control Panel
- All PCB Assemblies
- Speakers

The PCB assemblies are listed as follows:

- Game Logic PCB
- Power Supply PCB
- Audio PCB
- Photo Optic PCB



# GUN STOCK INSTALLATION

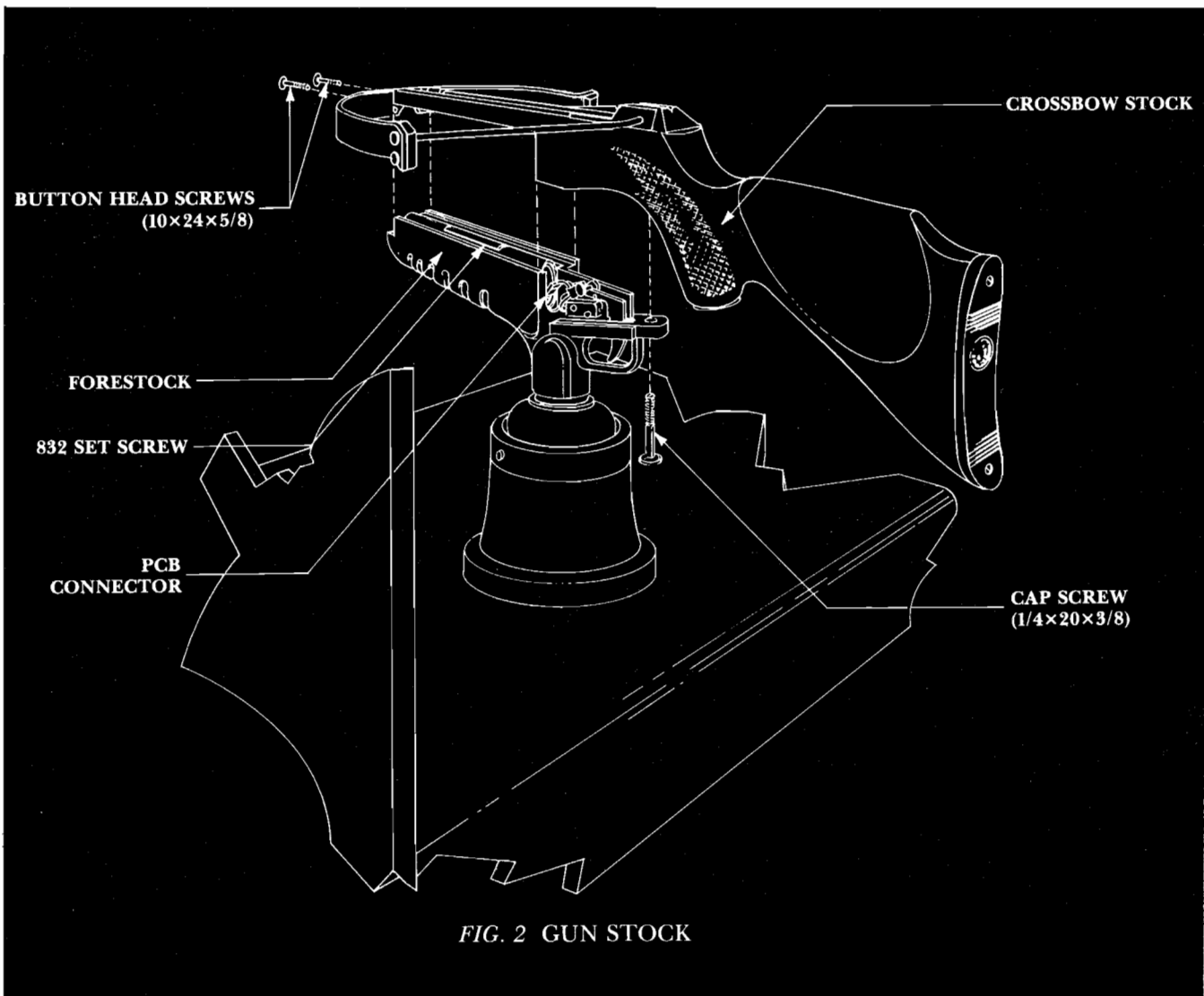
## MECHANICAL

Gun Stock is detached from the forestock for shipping. To install **Crossbow™** gun stock, proceed as follows:

1. Locate the 3 mounting screws, packed inside shipping carton with Crossbow Gun.
2. Loosen the 8/32 set screw in the FORESTOCK that secures down the OPTICAL TUBE ASSEMBLY.
3. Check that the gun optic PCB connector is in place.
4. Gently place gun stock onto forestock mount with the (2) 10×24×1 button head screws, and (1) 1/4×20×3/8 cap screws and secure gun stock to forestock (See Fig. 2).

### NOTE:

*Be sure to tighten down the set screw in FORESTOCK that secures the OPTICAL TUBE ASSEMBLY.*



## PRELIMINARY CHECK PROCEDURE

AFTER PROPERLY INSTALLING THE STOCK PROCEED AS FOLLOWS:

1. Connect the power plug into 110 VAC 60 Hz outlet.
  2. Three seconds after power-up there should be a burst of sound followed by the AUTO SELF DIAGNOSTIC TEST.
  3. Following the AUTO SELF DIAGNOSTIC TEST the game will enter the ATTRACT MODE.
  4. When AUTO SELF TESTS are completed and the gun stock is properly installed proceed with the GUN SIGHT ALIGNMENT.
5. Be sure the index is pointing to GUN SIGHT ALIGNMENT, use the Start Button to index if not.
  6. Pull gun trigger and a crosshair (+) will be displayed, release gun trigger.
  7. Aim the gun sight to center of crosshair, pull gun trigger once and gun sight will be aligned to the last burst.

### GUN SIGHT ALIGNMENT

1. Open the Coin Door to access the AC interlock switch, game will power down.
  2. While holding down the START BUTTON pull
3. Press down the START BUTTON and return to the MANUAL DIAGNOSTIC MENU. With the START BUTTON move the index to EXIT MODE, press the GUN TRIGGER and return to the ATTRACT MODE.

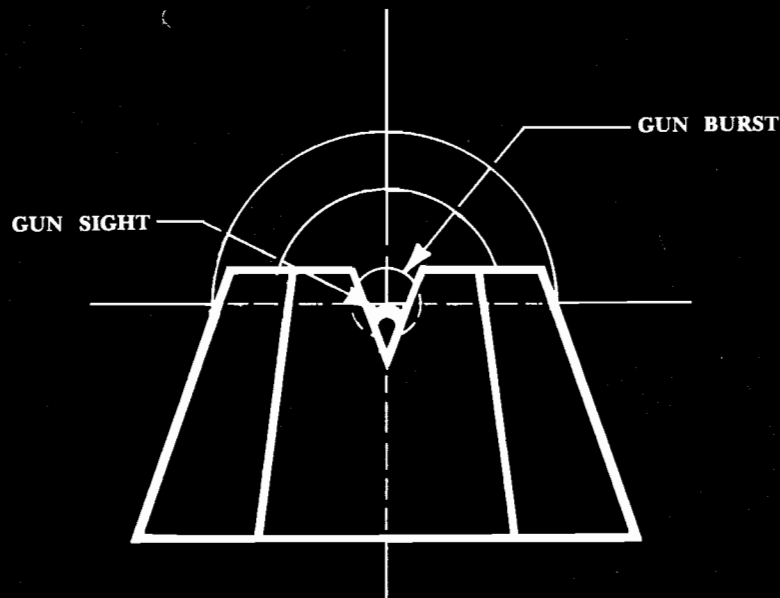


FIG. 3 GUN SIGHT ALIGNMENT











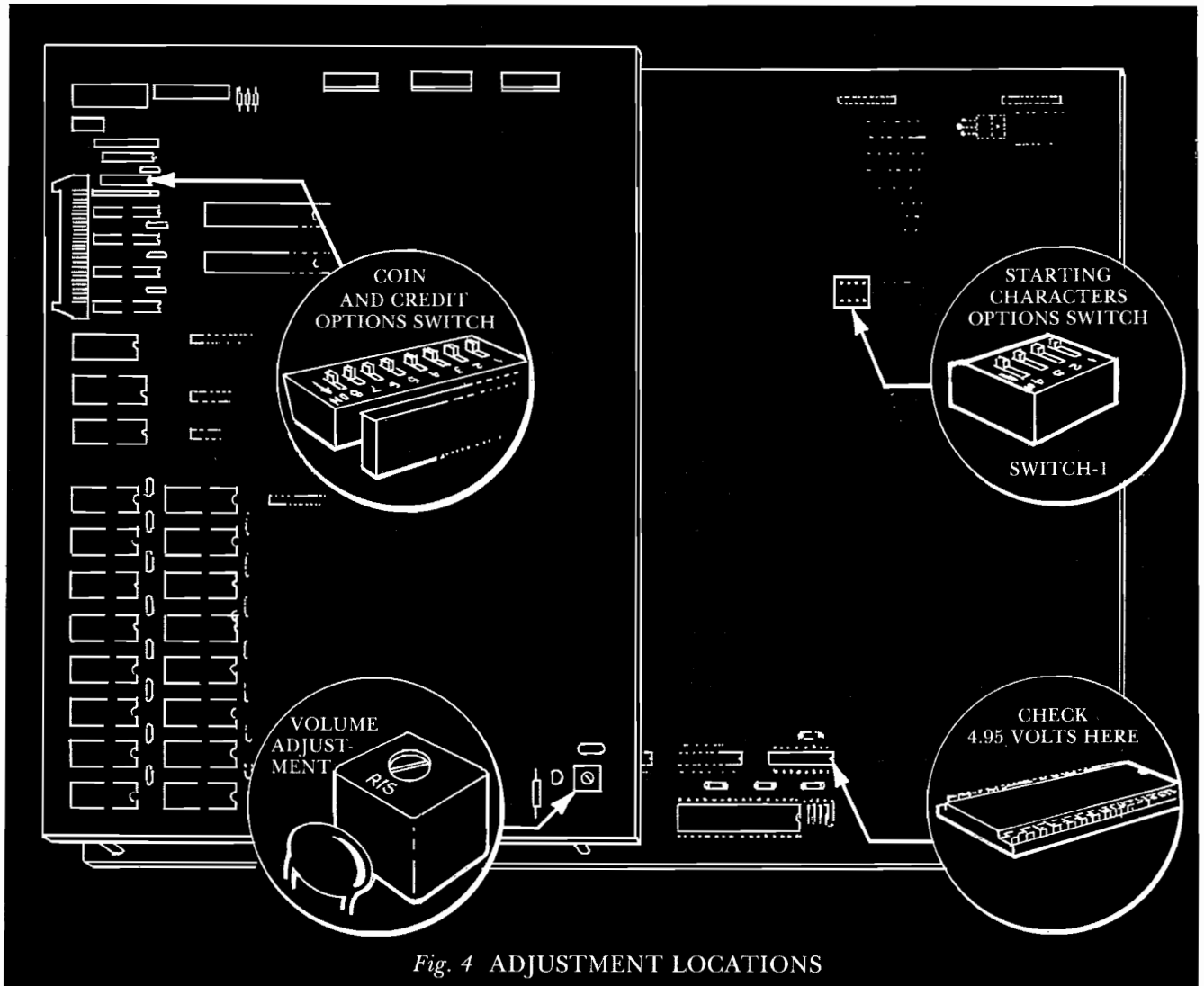
# ADJUSTMENTS

## I. POWER SUPPLY INFORMATION AND ADJUSTMENTS

ALL DC Power required to operate **Crossbow™** is supplied by the Exidy Power Supply Module. These supply outputs are as follows:

- +5V .....@ 9 AMPS
- +18V .....@ 3 AMPS
- -18V .....@ 3 AMPS

*CAUTION: Only certified technicians should make adjustments on all components of **Crossbow™**. Only the +5v DC is adjustable. This must be adjusted to: +4.95 VDC as measured on the PCB near the microprocessor (location J2) (See Fig. 4).*



## II. AUDIO BOARD ADJUSTMENTS

Adjust R15 master audio volume control located at position T2 on the Audio Logic Board (See Fig. 4) and adjust audio level while game is in progress. This audio board rides piggyback on the logic board, mounted inside of the cabinet on the side wall (See Fig. 1).



### III. OPERATOR SELECTABLE OPTIONS

**Crossbow™** has several selectable switch options controlled by an 8 position DIP SWITCH located at B1 of the AUDIO BOARD and a 4 position DIP SWITCH located at J19 of the LOGIC BOARD. Both switches are accessible through the rear door of the game.

SWITCH OPTION SETTINGS 8 POSITION SWITCH LOCATION B1				
@ = FACTORY SETTINGS				
COINAGE	SWITCH 5	SWITCH 6	SWITCH 7	SWITCH 8
1 COIN — 1 CREDIT	OFF	OFF	OFF	OFF
@ 2 COINS — 1 CREDIT	OFF	ON	OFF	OFF
3 COINS — 1 CREDIT	ON	OFF	OFF	OFF
4 COINS — 1 CREDIT	ON	ON	OFF	OFF
1 COIN — 2 CREDITS	OFF	OFF	OFF	ON
2 COINS — 2 CREDITS	OFF	ON	OFF	ON
3 COINS — 2 CREDITS	ON	OFF	OFF	ON
4 COINS — 2 CREDITS	ON	ON	OFF	ON
1 COIN — 3 CREDITS	OFF	OFF	ON	OFF
2 COINS — 3 CREDITS	OFF	ON	ON	OFF
3 COINS — 3 CREDITS	ON	OFF	ON	OFF
4 COINS — 3 CREDITS	ON	ON	ON	OFF
1 COIN — 4 CREDITS	OFF	OFF	ON	ON
2 COINS — 4 CREDITS	OFF	ON	ON	ON
3 COINS — 4 CREDITS	ON	OFF	ON	ON
4 COINS — 4 CREDITS	ON	ON	ON	ON
SWITCH OPTION SETTINGS 4 POSITION SWITCH LOCATION J19				
GAME PLAY DIFFICULTY	SWITCH 1	SWITCH 2	SWITCH 3	SWITCH 4
1 EASY	ON	ON		
@ 2 NORMAL	OFF	OFF		
3 HARD	OFF	ON		
5 MOST DIFFICULT	ON	OFF		
STARTING CHARACTERS				
2 CHARACTERS			OFF	ON
@ 3 CHARACTERS			OFF	OFF
4 CHARACTERS			ON	OFF
5 CHARACTERS			ON	ON



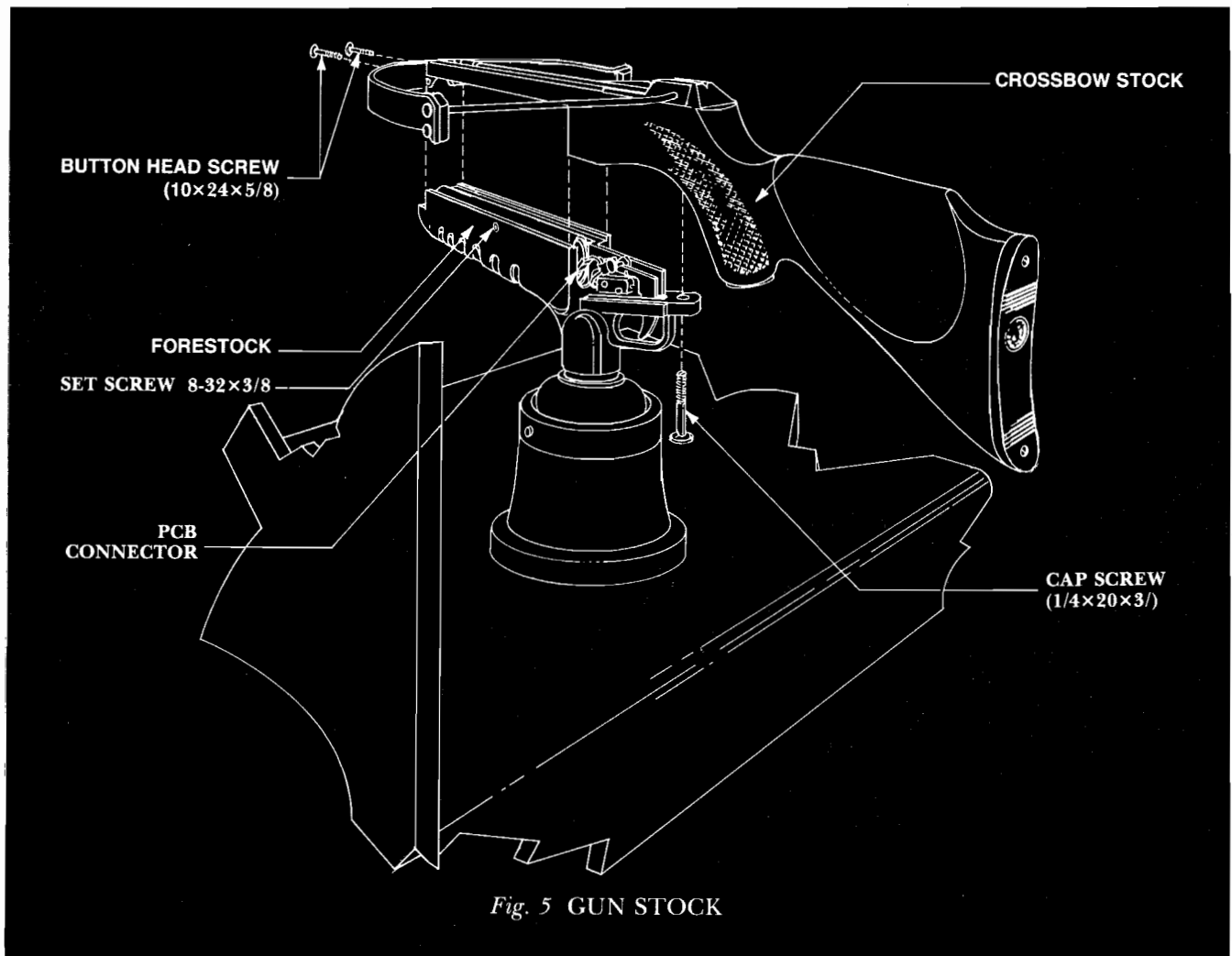
## IV. OPTICAL SENSITIVITY ADJUSTMENT

The **Crossbow** uses an Optical Sensor PCB to monitor the scanning electron beam of the CRT. Gun positioning information from this Optical Sensor PCB is monitored by the Logic PCB. The Optic PCB sensitivity adjustment allows for monitor intensity, distance between gun and monitor and the electronic circuitry tolerance.

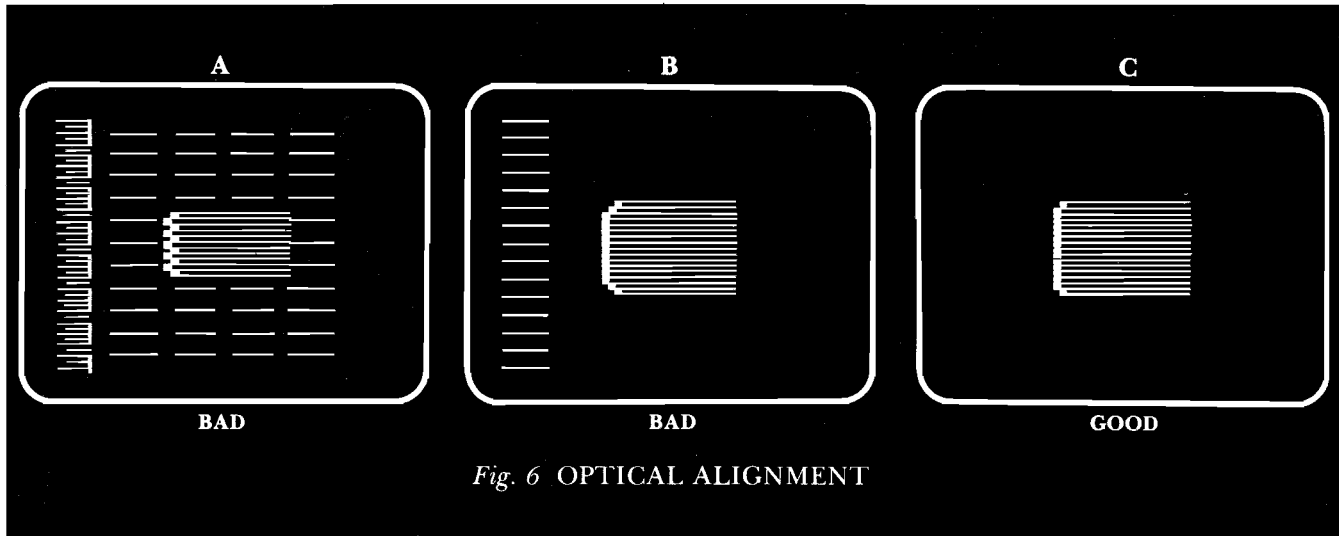
During game play each time the trigger is pulled there will be a white flash and a small dot is displayed wherever the gun is aimed. If for any reason the optic circuitry is not sensing the screen when the trigger is pulled the dot will not be displayed, an audio warning sound will be heard. Whenever this occurs, the optical sensor sensitivity should be readjusted.

1. To access the optical electronics, remove the (2) button head screws and the (1) cap screw and gently lift the Gun Stock from the Forestock (See Fig. 5).
2. Select the MANUAL DIAGNOSTIC MODE. To enter this mode, hold down the Start Button while applying power.
3. Index the pointer to the CHECK INTERRUPTS test, pull gun trigger and execute. When test is complete it will return to the ANUAL DIAGNOSTIC MENU MODE.
4. Index the pointer to the OPTICAL ADJUSTMENT and pull Gun Trigger, a white screen should appear.
5. If the screen should come up with wavering lines, repower the game and return to MANUAL DIAGNOSTIC MENU. Perform the CHECK INTERRUPTS, then index to the OPTICAL ADJUSTMENT.

(continued)

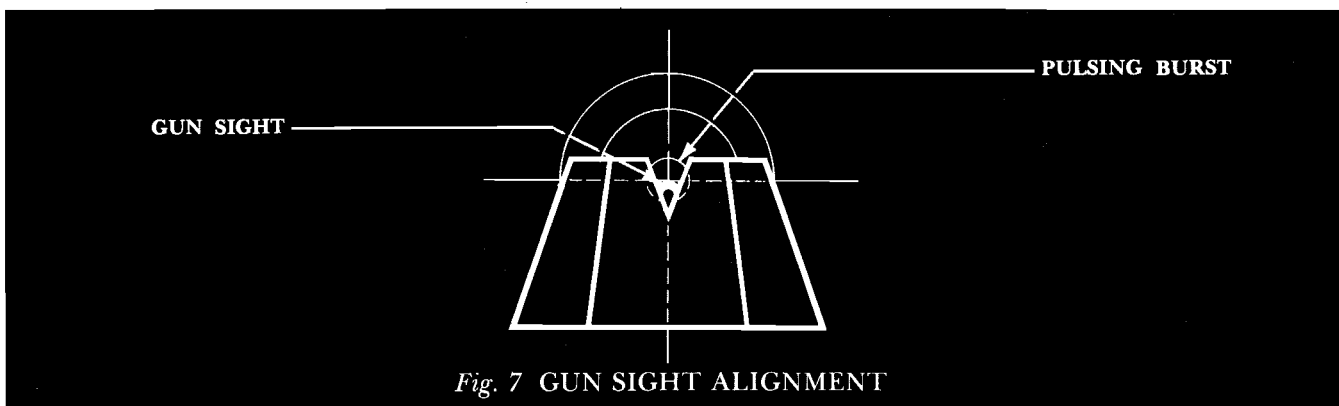


6. Aim the Gun to the center of the screen, an orange rectangular pattern with a brown leading edge should be displayed (See Fig. 6-C).
7. Turn sensitivity control CCW until oscillation and an orange rectangular pattern are displayed (See Fig. 6-A). Now turn sensitivity control CW until oscillation diminishes just beyond this oscillation point (See Fig. 6-B), from this point turn sensitivity control CW approx.  $\frac{1}{4}$  turn more. This should be the optimum setting.
8. The rectangular pattern should appear on the screen wherever you aim the Forestock (Optic), with the exception of approx. 2" to the extreme left of screen.
9. Reinstall the Gun Stock Assembly. Refer to **Crossbow™** Stock Installation procedure (Page 4 Steps 2 & 3). This completes the gun sight and optical check.



## V. GUN SIGHT ALIGNMENT

1. Open the Coin Door to access the AC interlock switch, game will power down (See Fig. 1).
2. While holding down the START BUTTON pull out the interlock switch to restore power. After a burst of sound the screen should display the ANUAL DIAGNOSTIC MENU MODE.
3. Be sure the index is pointing to GUN SIGHT
4. ALIGNMENT, use the Start Button to index if not.
4. Pull Gun Trigger and a crosshair (+) will be displayed, release gun trigger.
5. Aim the Gun Sight to center of crosshair, pull Gun Trigger once and Gun Sight will be aligned to the last burst (See Fig. 7).





**Modes Of  
Operation**







## MODES OF OPERATION

### CROSSBOW™ HAS FOUR MODES OF OPERATION:

- A. AUTO SELF DIAGNOSTIC TEST MODE
- B. MANUAL DIAGNOSTIC MODE
- C. ATTRACT MODE
- D. PLAY MODE

To bypass all diagnostics, press crossbow trigger during the power-up sequence.

### AUTO SELF DIAGNOSTIC TEST MODE

- RAM TEST
- SCREEN RAM TEST
- CRC OF PROGRAM ROMS
- CHECKSUM OF DATA BANK ROMS
- AUDIO TEST
- E<sup>2</sup> PROM

### MANUAL DIAGNOSTIC MENU MODE

To access the manual diagnostic mode, hold down the START BUTTON on power-up. Once this mode is accessed, any of the listed selections may be indexed by the player start button and executed by the GUN TRIGGER.

### GUN ALIGNMENT

Displays a crosshair (+) for gun sight alignment. Aim the GUN SIGHT at center of crosshair and fire gun once. the GUN SIGHT will be aligned to the last burst.

Press START BUTTON and return to the MANUAL DIAGNOSTIC MENU.

### RAM TEST

Tests RAMS on logic board at locations A8 and A9.\*\*

### SCREEN RAM TEST

Tests RAMS on logic board at locations:\*\*

- B14-B21
- C14-C21
- D14-D21
- E14-E21

### CRC CHECK OF PROGRAM ROMS

Tests OMS on logic board at locations A1, A2, A4, and A6.\*\*

### CHECKSUM OF DATA BANK ROMS

Tests ROMS on logic board at locations:\*

- B1, B3, B4
- C1, C3, C4, C6, C8, C10, C11
- D1, D3, D4, D6, D8, D10, D11
- E1, E3, E4, E6, E8, E10, E11

### AUDIO TEST

Tests the communication between logic and audio board.

### NOTES:

\* See Diagnostic Error Code FIG. 8 for suspected location of RAM or ROM.

\*\* The Processor may not run dependent on the extent of chip failure of these locations.



## CHECK INTERRUPTS

Tests for horizontal and vertical frame interrupts.

## GRAY SCALE

Displays a graduated gray scale for monitor check or adjustments.

## CROSSHATCH

Displays horizontal and vertical lines for monitor linearity and convergence checks or adjustments.

## COLOR BARS AND BLOCKS

Displays a color visual test pattern utilizing the background and moving object circuitry. The bars are produced by the background circuitry and the blocks are produced by the moving object circuitry.

## OPTICAL ADJUSTMENTS

Displays a rectangular pattern for adjusting the sensitivity of the Optical Sensing Circuitry.

## RESET TO FACTORY SETTINGS

Sets the high score and also checks the E<sup>2</sup> ROM\*\*\* located at B11 of the logic board. The E<sup>2</sup> PROM contains the high score table and gun alignment information. Running this diagnostic will reset the high score table. It will also require that the accuracy of the gun alignment be rechecked.

## EXIT

Returns game to the ATTRACT MODE.

## FREE PLAY

For those wishing to demonstrate crossbow, a freeplay mode may be achieved by turning on switch # on audio board at location B1.

## ATTRACT MODE

The attract mode appears after power-up auto self diagnostic and after every game. This mode will continue to display the attract mode repeatedly until a coin, and the start button is pressed.

## HIGH SCORE TABLE

## DESERT OR VILLAGE GAME SCENE

## CROSSBOW™ LOGO WITH COIN AND CREDIT INSTRUCTIONS

## CROSSBOW™ GAME PLAY INSTRUCTIONS

### NOTE:

\*\*\* E<sup>2</sup> PROM = *Electrically Erasable Programmable READ ONLY MEMORY.*



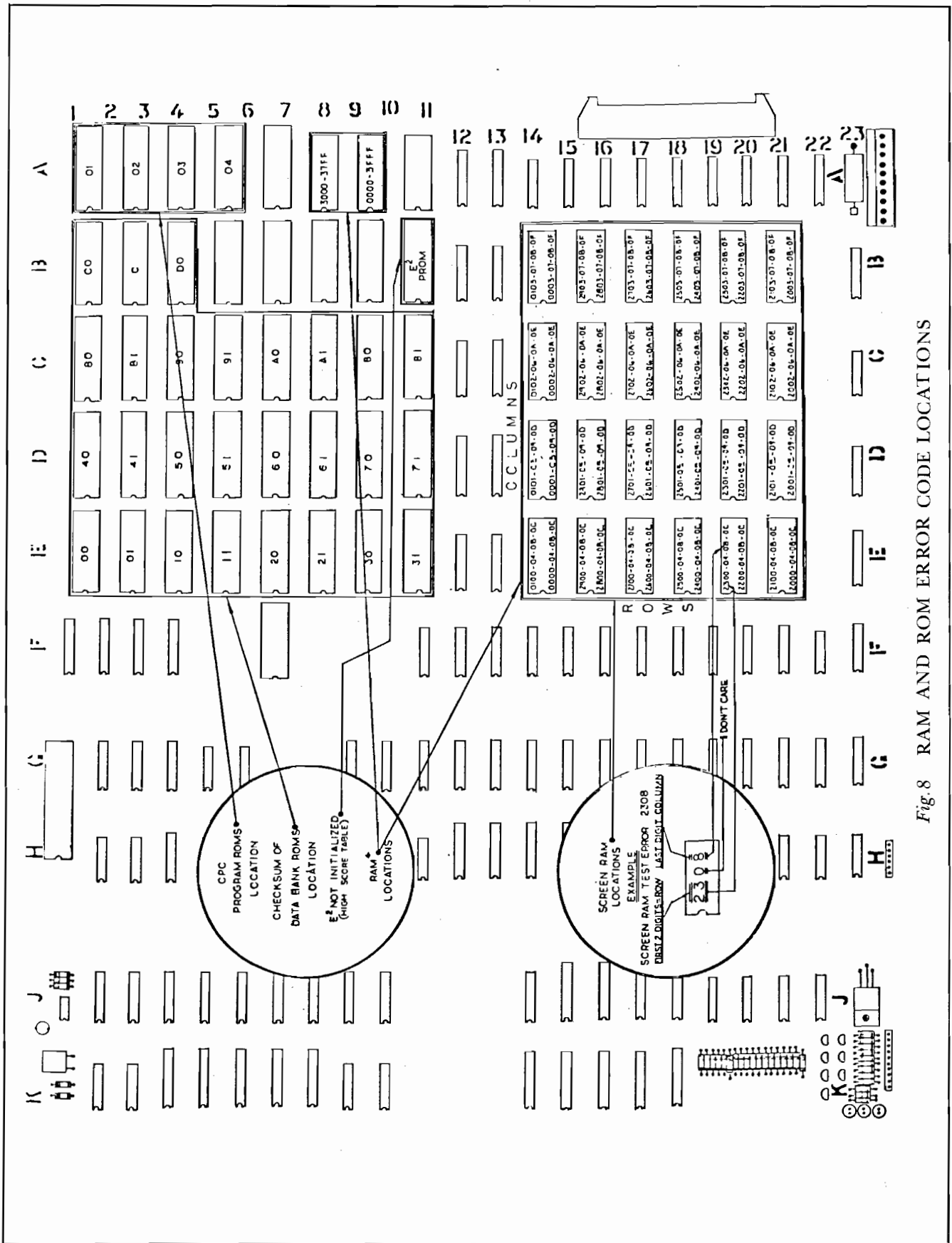


Fig. 8 RAM AND ROM ERROR CODE LOCATIONS

## PLAY MODE

The attract mode will be displayed ready for play. After sufficient credits are awarded, press the Start Button the screen will now display the game play map, and two or three colored boxes: RED, GREEN and BLUE (Fig. 9). The player selects the game scene by firing the crossbow at a colored box and choosing the colored path he wishes to challenge. If your party survives this level, the player can by selecting a colored box, continue until this adventure ends when all party members are killed. The player must remember which colored path leads to each scene's unique element of danger.

Points are awarded for each target shot and are based on its difficulty to be hit. Bonus points are awarded at the end of each level for each surviving party member. Surviving certain very difficult levels also awards the player with bonus members, increas-

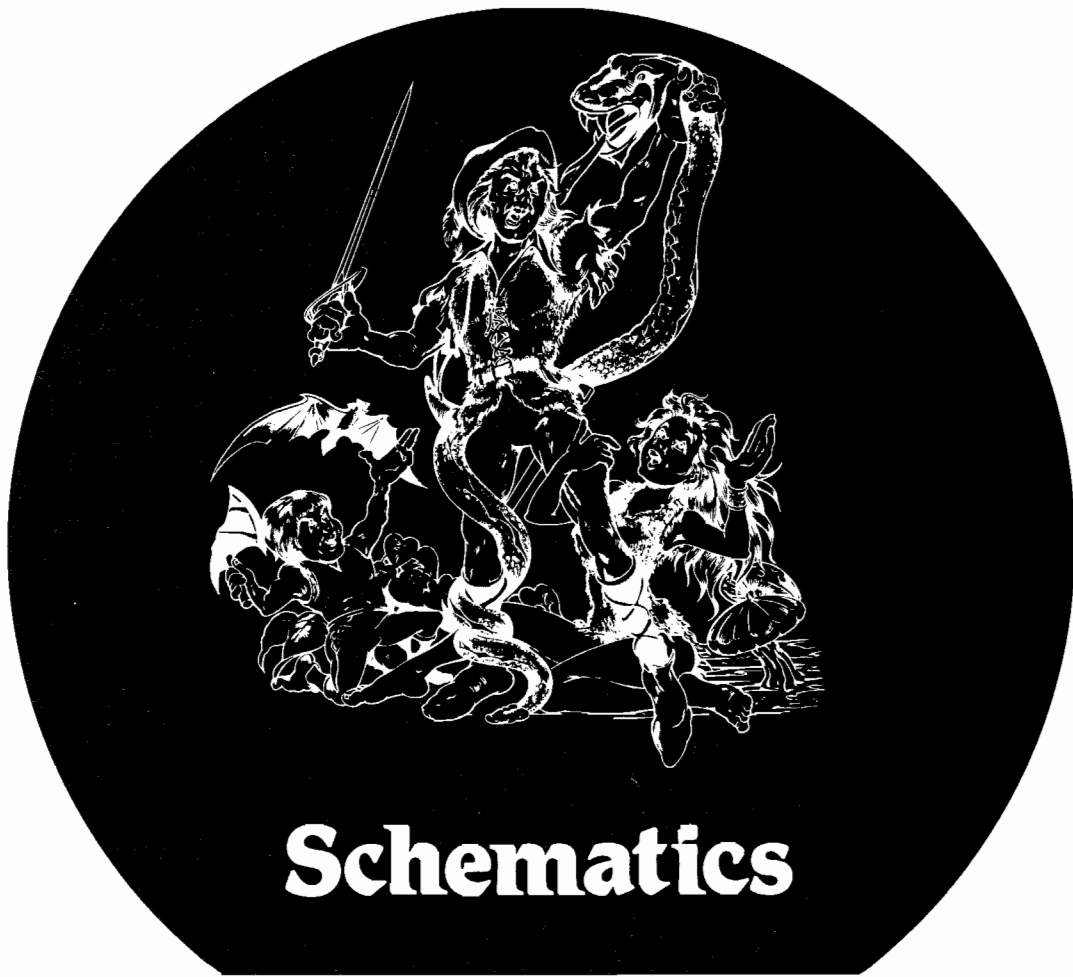
ing the size of his party.

Valuable treasures can be found in some scenes. The final goal is the EVIL MASTER. When you have defeated the EVIL MASTER, you again will be bonus points and the game will continue.



Fig. 9 PLAY SELECT





# Schematics

**IV**



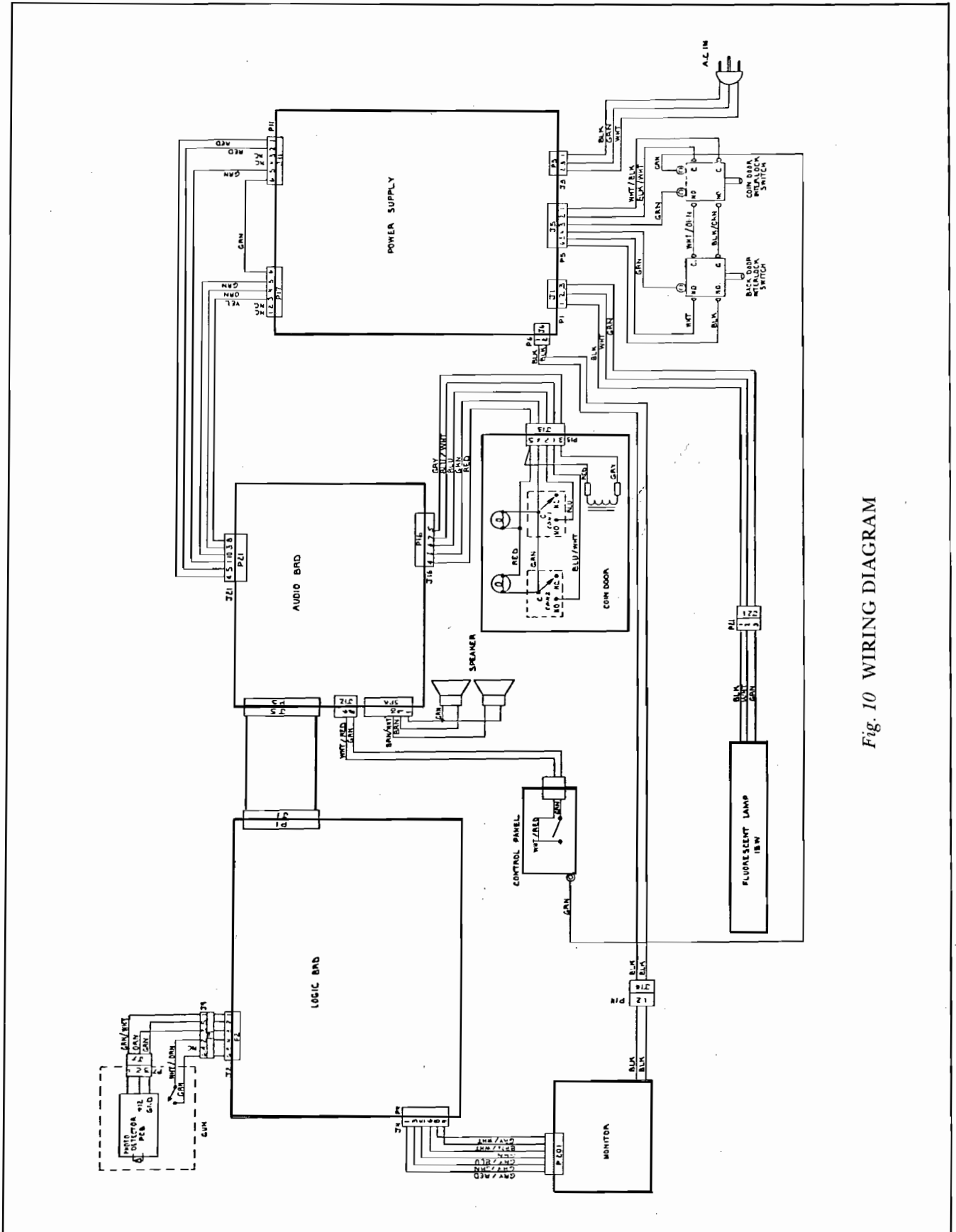


Fig. 10 WIRING DIAGRAM













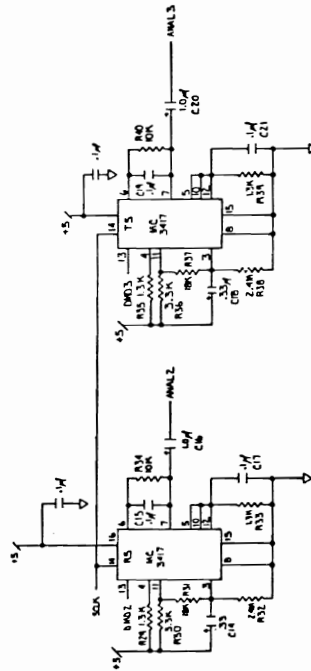
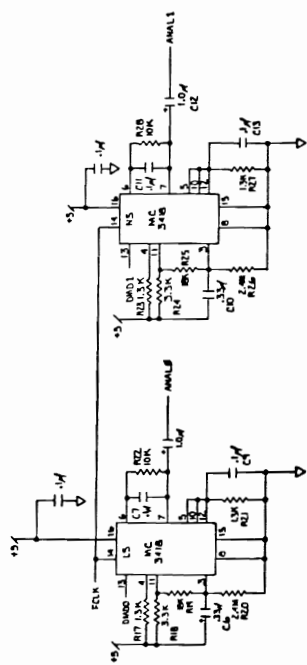
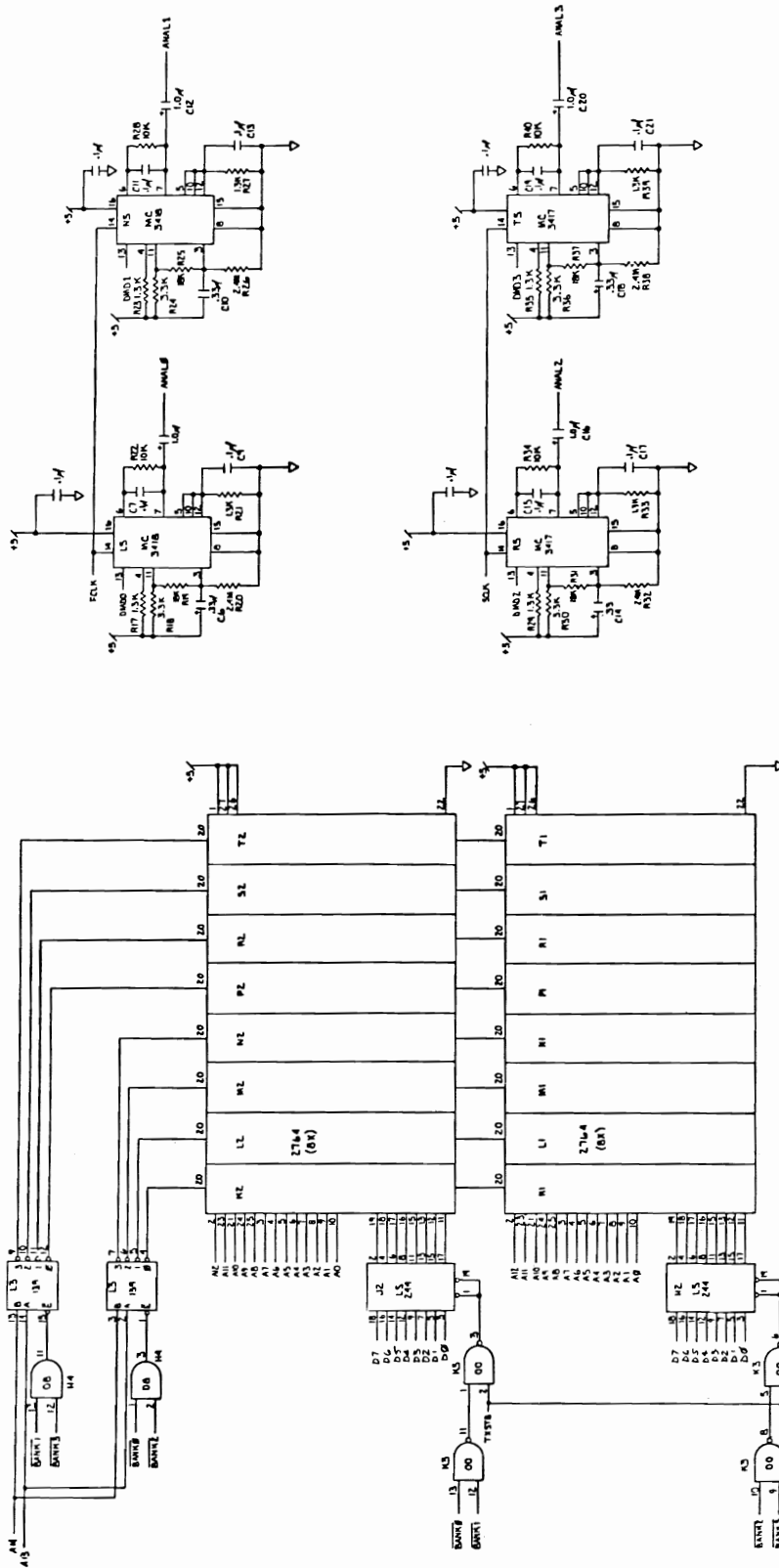






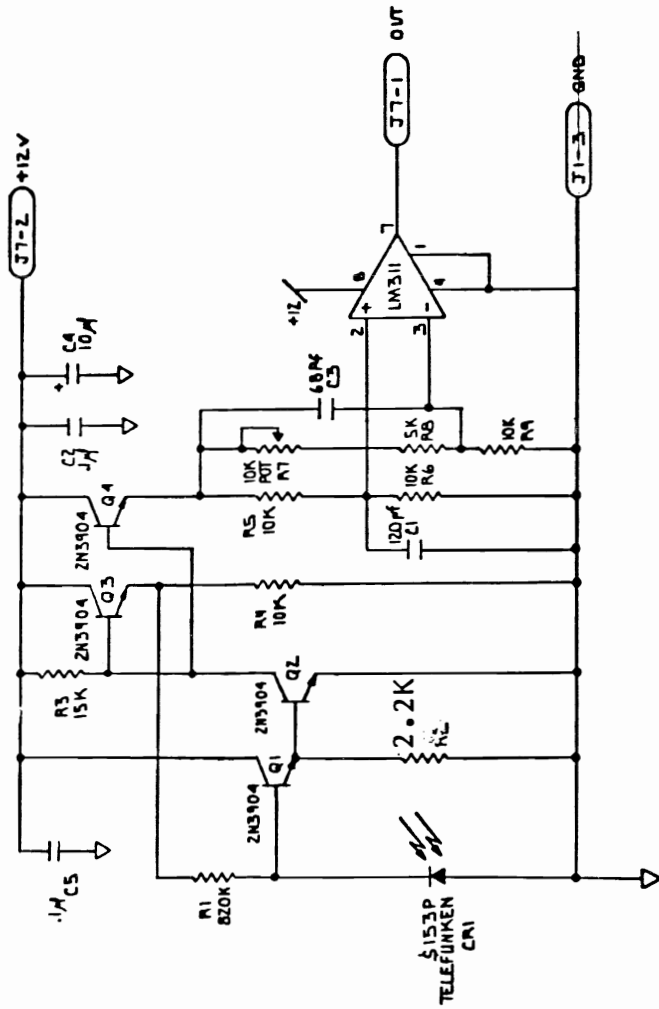






REV	DATE	BY	CHKD	APP'D	DESCRIPTION
1	7-7-00	12643	12643	12643	4 CHANNEL DELTA MOD IO/AUDIO PCB
2					
3					
4					
5					
6					
7					
8					
9					
10					
11					
12					
13					
14					
15					
16					
17					
18					
19					
20					
21					
22					
23					
24					
25					
26					
27					
28					
29					
30					
31					
32					
33					
34					
35					
36					
37					
38					
39					
40					
41					
42					
43					
44					
45					
46					
47					
48					
49					
50					
51					
52					
53					
54					
55					
56					
57					
58					
59					
60					
61					
62					
63					
64					
65					
66					
67					
68					
69					
70					
71					
72					
73					
74					
75					
76					
77					
78					
79					
80					
81					
82					
83					
84					
85					
86					
87					
88					
89					
90					
91					
92					
93					
94					
95					
96					
97					
98					
99					
100					



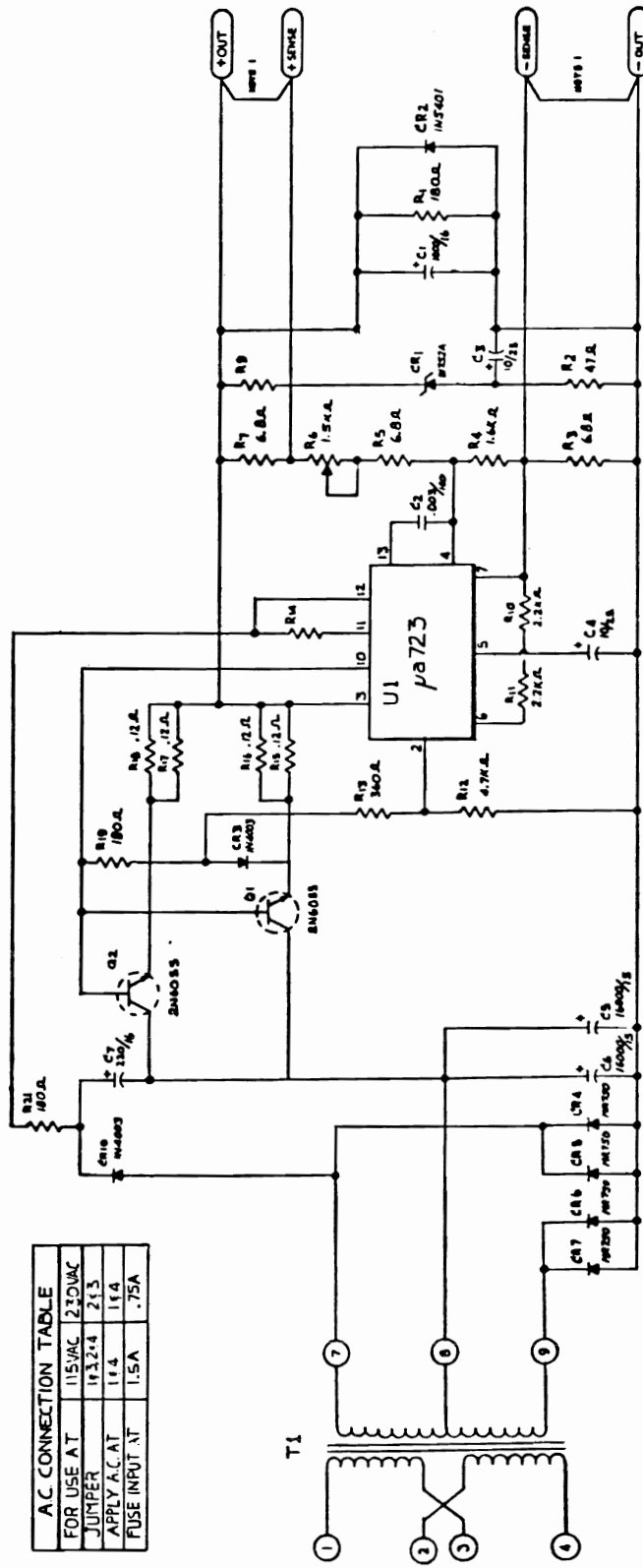


ITEM	PART NUMBER	DESCRIPTION	QTY
1	LM311	LM311	1
2	2N3904	2N3904	5
3	5153P	5153P TELEFUNKEN CMA	1
4	10µF	10µF	5
5	68µF	68µF	1
6	120µF	120µF	1
7	15K	15K	1
8	2.2K	2.2K	1
9	820K	820K	1
10	10K	10K	4
11	20K	20K	1
12	5K	5K	1
13	10K	10K	1

DATE	11/11/5
DESIGNED BY	11/11/5
CHECKED BY	11/11/5
APPROVED BY	11/11/5
SCALE	1:1
TITLE	PHOTO DETECTOR PCB
PROJECT NAME	77-0020-01
DATE	11/11/5
SCALE	1:1

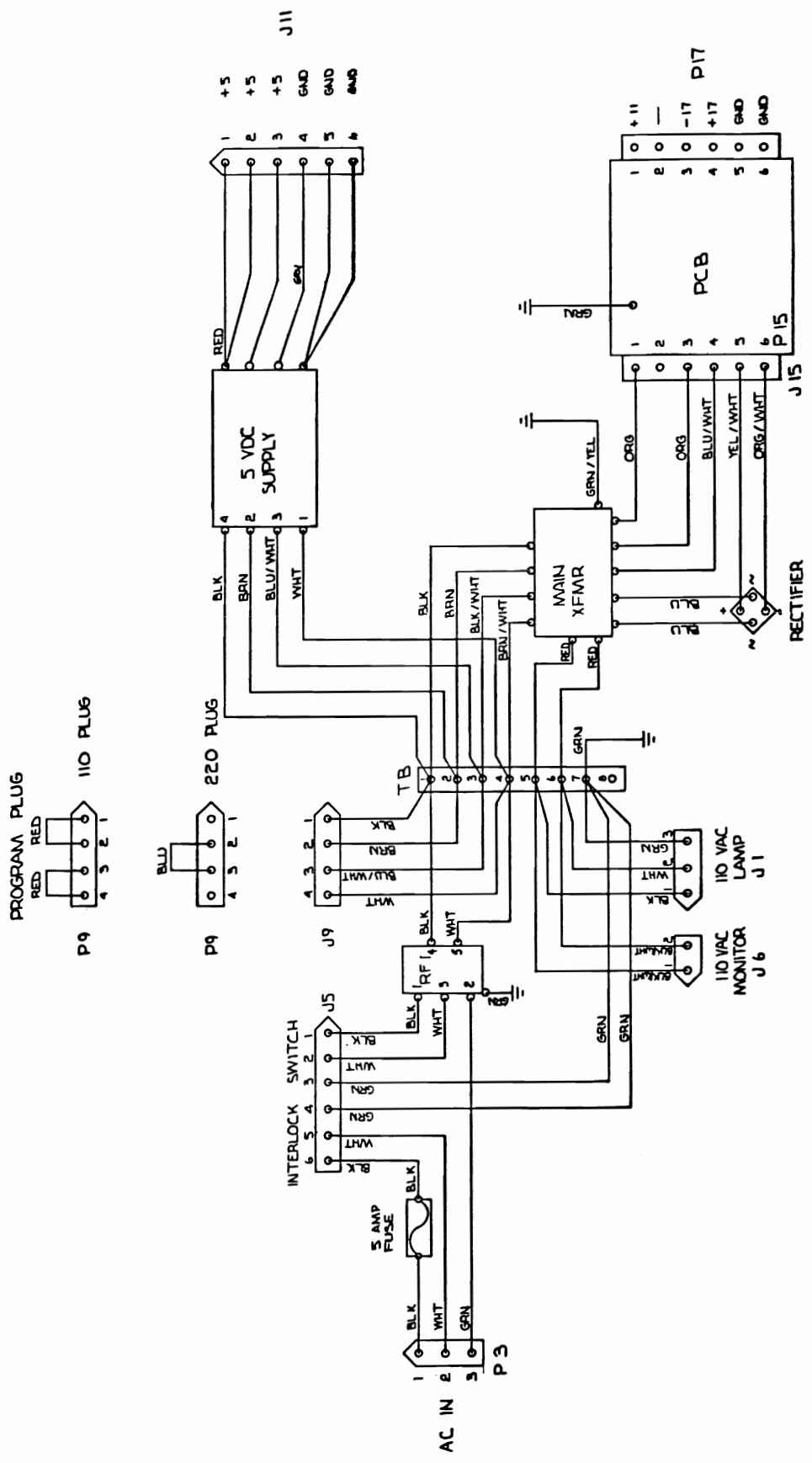
PRODUCTION NOTES:  
 1. JUMPER INSTALLED TO DISABLE SENSE LINE S.  
 2. Q1 AND Q2 = 2N4005 DARLINGTON NPN TRANSISTORS.



A.C. CONNECTION TABLE			
FOR USE AT	115VAC	230VAC	
JUMPER	1-3, 2-4	2-3	
APPLY A.C. AT	1-4	1-4	
FUSE INPUT AT	1.5A	.75A	

+ 5 VOLT REGULATOR SUPPLY





HSC POWER SUPPLY WIRING DIAGRAM



**Parts List**





## MECHANICAL PARTS

### APPENDIX B:

The following is a list of parts with part numbers should you ever need to order replacement parts for your **Crossbow™**. Replacement parts should be placed through your local Distributor.

PART NUMBER	DESCRIPTION
01-0111-00	ASSEMBLY, LOGIC & AUDIO PCB SET
98-0006-00	ASSEMBLY, CABINET
74-0001-00	ASSEMBLY, REAR DOOR
65-0131-00	BRACKET, INTERLOCK REAR DOOR
65-0132-00	BRACKET, INTERLOCK COIN DOOR
48-5012-00	SWITCH INTERLOCK
48-3006-00	SWITCH, START BUTTON
95-0018-00	ASSEMBLY, FLUORESCENT FIXTURE
95-0019-00	BULB, FLUORESCENT 15W
95-0030-00	STARTER, FLUORESCENT
95-0017-00	SPEAKER 6 × 9
65-0114-00	GRILL, SPEAKER
70-0001-00	ASSEMBLY, 19" COLOR MONITOR
90-0101-00	ASSEMBLY, BEZEL
90-0096-00	ASSEMBLY, COIN DOOR
95-0036-00	COIN BOX ENCLOSURE
95-0035-00	COIN DOOR
95-0016-00	CASH BOX PLASTIC
95-0015-00	COIN COUNTER
90-0098-00	ASSEMBLY INTERNAL ARTWORK
80-0075-00	INTERNAL ARTWORK RIGHT & LEFT
80-0077-00	INTERNAL ARTWORK TOP
80-0078-00	INTERNAL ARTWORK BOTTOM
80-0081-00	OVERLAY, CONTROL PANEL
80-0080-00	DECAL, LEFT SIDE
80-0079-00	DECAL, RIGHT SIDE
80-0065-00	PLEX, MONITOR
65-0113-00	BRACKET, MONITOR
80-0066-00	PLEX, LOGO
65-0110-00	BRACKET, LOWER
65-0111-00	BRACKET, UPPER
80-0068-00	MIRROR
65-0113-00	BRACKET, MIRROR
51-2204-00	SCREW, #8 × 1/2 P.H.X.

(continued)





## HARNES

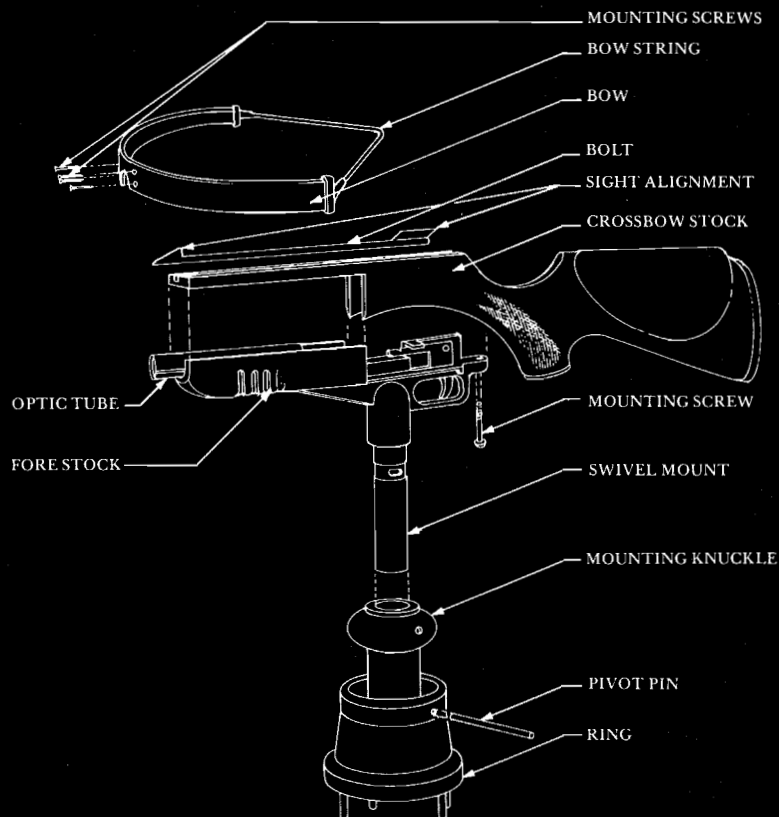
### PART NUMBER

### DESCRIPTION

49-0067-05	ASSEMBLY, GUN
49-0066-05	ASSEMBLY, FLUORESCENT LAMP
49-0065-05	ASSEMBLY, 50 PIN RIBBON CABLE
49-0064-05	ASSEMBLY, COIN DOOR
49-0063-05	ASSEMBLY, CONTROL & COIN INTERFACE
49-0062-05	ASSEMBLY SPEAKER
49-0061-05	ASSEMBLY, INTERLOCK DIST.
49-0060-05	ASSEMBLY, LAMP & MONITOR
49-0059-05	ASSEMBLY, VIDEO
49-0058-05	ASSEMBLY, D.C. SUPPLY

## GUN ASSEMBLY

90-0091-00	ASSEMBLY, GUN MOUNT
75-0011-00	KNUCKLE MOUNT
75-0012-00	RING MOUNT
70-0048-00	PIVOT PIN
50-1103-27	SCREW, 6/32 × 3/8



*Fig. 11* GUN ASSEMBLY



**GUN ASSEMBLY** (continued)

<b>PART NUMBER</b>	<b>DESCRIPTION</b>
90-0092-00	ASSEMBLY, FORE STOCK
95-0033-00	ROLL PINS 3/16 × 1-1/4
95-0034-00	SPRING, TRIGGER
75-0013-00	FORESTOCK, CASTING
70-0047-00	BUSHING, TRIGGER
70-0049-00	TUBE MOUNT
65-0125-00	TRIGGER PLATE
55-0004-00	NYLON SPACER 1/2 × 8 CLEARANCE
50-9905-00	SCREW, 256 × 5/8 P.H.X
50-2103-27	SCREW, 8/32 × 3/8
50-2104-00	SCREW, 8/32 × 1/2
50-2106-00	SCREW, 8/32 × 3/4
48-3005-00	SWITCH, MICRO #483005-001
37-0018-00	CLAMP, NYLON RICHON N-2
90-0093-00	ASSEMBLY, OPTIC TUBE
77-0020-00	ASSEMBLY PHOTO DETECTOR PCB
80-0076-00	PHOTO SENSOR HOLDER
80-0069-00	PLANO-CONVEX LENS 25MM × 100MM F.L.
90-0095-00	ASSEMBLY, GUN STOCK
95-0031-00	BOW STRING
75-0014-00	ARROW, REAR SIGHT CASTING
70-0045-00	BOW CLAMP
65-0115-00	BOW
60-0389-00	GUN STOCK, WOOD
57-0014-00	SCREW, MACH. MCRM 10/32 × 1/2
57-0015-00	SCREW, TAP TCM/10AB × 5/8
50-3105-26	SCREW, 10/32 × 5/8
50-5418-15	SCREW, CAP .250/20 × 1/4





## LOGIC PCB

PART NUMBER	DESCRIPTION
77-0019-04	LOGIC PCB BLANK
77-0019-05	LOGIC PCB
74-8547-00	SPACER, SNAP-IN
49-0065-05	CABLE, RIBBON 50 CONDUCTOR
48-5016-00	SWITCH, 4 POSITION DIP
44-1601-00	SOCKET, 16 PIN
44-2401-00	SOCKET, 24 PIN
44-2801-00	SOCKET, 28 PIN
44-4001-00	SOCKET, 40 PIN
41-0009-00	CONNECTOR, 50 PIN RIBBON
40-0021-06	CONNECTOR, 6 POSITION INLINE
40-0021-10	CONNECTOR, 10 POSITION INLINE
40-0061-00	CONNECTOR, 10 POSITION MALE
29-0005-00	CRYSTAL, 12.979 MHZ
28-0005-00	I.C., 2804 RAM (300NS)
28-0006-00	I.C., 2149 RAM (35NS)
27-0003-00	I.C., NE555
25-0007-00	I.C., 68B09E CPU 2MHZ
23-0045-00	I.C., 6116
22-0001-02	I.C., 74LS00
22-0002-02	I.C., 74LS02
22-0003-02	I.C., 74LS04
22-0005-02	I.C., 74LS08
22-0007-02	I.C., 74LS20
22-0010-02	I.C., 74LS32
22-0011-02	I.C., 74LS74
22-0012-02	I.C., 74LS112
22-0013-02	I.C., 74LS138
22-0014-02	I.C., 74LS139
22-0015-02	I.C., 74LS157
22-0016-01	I.C., 74S161
22-0016-02	I.C., 74LS161
22-0017-02	I.C., 74LS166
22-0020-02	I.C., 74LS245
22-0021-01	I.C., 74S374
22-0021-02	I.C., 74LS374
22-0022-02	I.C., 74LS154
22-0027-01	I.C., 74S86
22-0027-02	I.C., 74LS86
22-0030-02	I.C., 74LS151
22-0041-02	I.C., 74LS10
22-0043-02	I.C., 74LS169
22-0044-02	I.C., 74LS283
22-0061-02	I.C., 74LS244
22-0062-02	I.C., 74LS05
22-0063-02	I.C., 74LS30

(continued)



## LOGIC PCB

### PART NUMBER

### DESCRIPTION

22-0064-02	I.C., 74LS25
22-0065-02	I.C., 74LS153
22-0066-02	I.C., 74LS173
22-0067-02	I.C., 74LS189
22-0068-02	I.C., 74LS273
22-0136-00	I.C., 2764 EPROM.COMPLETE LOGIC SET
21-0006-00	REGULATOR, 7812
21-0007-00	TRANSISTOR, 2N3904
21-0008-00	TRANSISTOR, 2N3906
20-0008-00	DIODE, 1N914
13-1062-00	CAPACITOR, 10UF
13-1075-00	CAPACITOR, 100UF
13-6844-00	CAPACITOR, 6.8 $\mu$ F DIP-TANT
11-3305-02	CAPACITOR, 3.3 $\mu$ F
10-1034-1	CAPACITOR, .01 $\mu$ F
10-1044-1	CAPACITOR, .1 $\mu$ F
02-1012-00	RESISTOR, 100 OHM
02-1021-00	RESISTOR, 1K 1%
02-1022-00	RESISTOR, 1K
02-1032-00	RESISTOR, 10K
02-1052-00	RESISTOR, 1MEG
02-1631-00	RESISTOR, 16K
02-2021-00	RESISTOR, 2K 1%
02-2222-00	RESISTOR, 2.2K
02-2712-00	RESISTOR, 270 OHM
02-3312-00	RESISTOR, 330 OHM
02-3322-00	RESISTOR, 3.3K
02-4021-00	RESISTOR, 4K 1%
02-4712-00	RESISTOR, 470 OHM
02-4722-00	RESISTOR, 4.7K
02-8021-00	RESISTOR, 8K 1%



## AUDIO PCB

PART NUMBER	DESCRIPTION
77-0022-04	AUDIO PCB BLANK
77-0022-05	AUDIO PCB
49-5002-00	SWITCH, 8 POSITION DIP
44-1601-00	SOCKET, 16 PIN
44-2401-00	SOCKET, 24 PIN
44-2801-00	SOCKET, 28 PIN
44-4001-00	SOCKET, 40 PIN
41-0003-00	CONNECTOR, 10 PIN FEMALE
40-0005-10	CONNECTOR, 10 PIN MOLEX
40-0021-08	CONNECTOR, 8 POS. INLINE
40-0021-10	CONNECTOR, 10 POS. INLINE
40-0021-12	CONNECTOR, 12 POS. INLINE
27-0004-00	I.C., MC3417L
27-0006-00	I.C., AD558
27-0007-00	I.C., MC3418
26-0005-00	I.C., 6844
25-0008-00	I.C., 6809 CPU
23-0045-00	I.C., 6116
23-0076-00	I.C., 2764 EPROM
22-0001-02	IC., 74LS00
22-0003-02	IC., 74LS04
22-0004-00	IC., 7407
22-0005-02	IC., 74LS08
22-0010-02	IC., 74LS32
22-0011-02	IC., 74LS74
22-0014-02	IC., 74LS139
22-0015-02	IC., 74LS157
22-0016-02	IC., 74LS161
22-0017-02	IC., 74LS166
22-0020-02	IC., 74LS245
22-0021-02	IC., 74LS374
22-0026-00	IC., LM324
22-0027-02	IC., 74LS86
22-0028-00	IC., 4051
22-0036-00	IC., LM741
22-0038-02	IC., 74LS367
22-0039-02	IC., 74LS42
22-0061-02	IC., 74LS244
22-0067-02	IC., 74LS189A
22-0071-00	IC., 7406
22-0077-00	IC., CA3080
21-0001-00	TRANSISTOR, TIP 120
21-0002-00	TRANSISTOR, TIP 125
21-0005-00	REGULATOR, 7912
21-0006-00	REGULATOR, 7812
21-0007-00	TRANSISTOR, 2N3904
21-0008-00	TRANSISTOR, 2N3906
21-0010-00	TRANSISTOR, 2N2222
20-0001-00	DIODE, 1N4002



REVISED 1-10-74

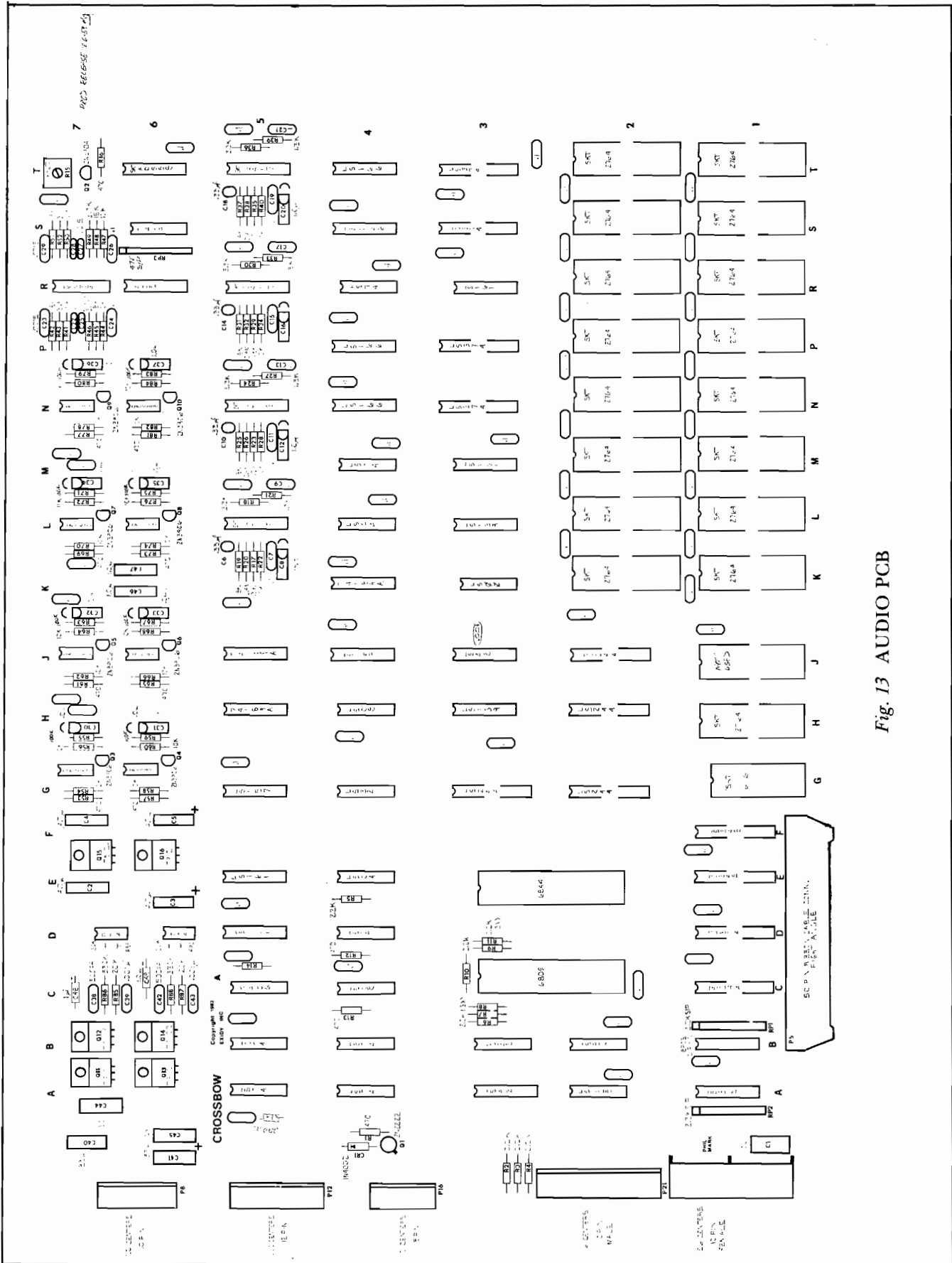
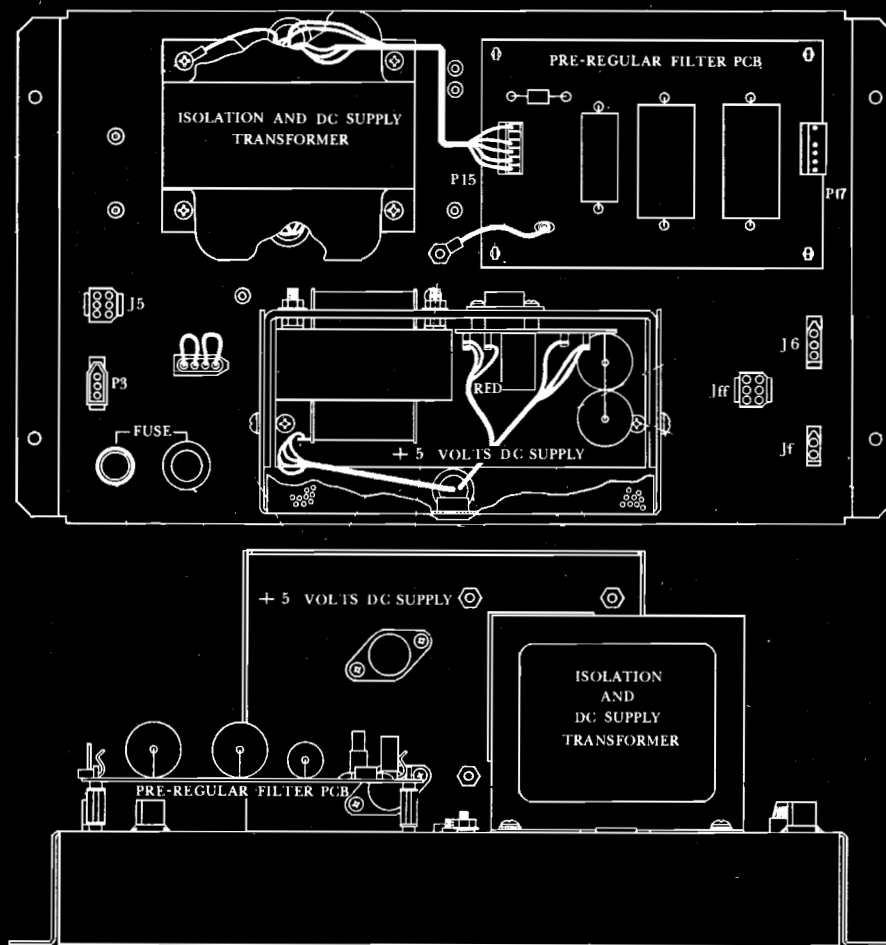


Fig. 13 AUDIO PCB

## POWER SUPPLY

PART NUMBER	DESCRIPTION
90-0094-00	ASSEMBLY, POWER SUPPLY
32-0002-00	PLUS 5 VOLT REGULATED POWER SUPPLY
130-0003-00	ASSEMBLY, TRANSFORMER
90-0017-00	GROMMET
77-0003-04	PRE-REGULATOR, PCB BLANK
77-0003-04	PRE-REGULATOR, PCB
65-0133-00	CHASSIS, POWER SUPPLY
65-0134-00	PROTECTIVE COVER, +5 VOLT POWER SUPPLY
58-0062-00	STANDOFF, PCB
45-0012-00	TERMINAL, TAB
40-0005-06	CONNECTOR, 6 PIN
34-0002-00	FUSE HOLDER
31-0001-00	FILTER, AC LINE
20-0007-00	RECTIFIER, BRIDGE



*Fig. 14* POWER SUPPLY





## OPTICAL SENSOR PCB

### PART NUMBER

### DESCRIPTION

77-0020-04	PHOTO DETECTOR PCB BLANK
77-0020-05	PHOTO DETECTOR PCB
22-0070-00	I.C., LM311
21-0007-00	TRANSISTOR, 2N3904
20-0012-00	DIODE, PHOTO (TELEFUNKEN 153P)
13-1062-00	CAPACITOR, 10 $\mu$ F
10-1044-1	CAPACITOR, .1 $\mu$ F
10-1201-02	CAPACITOR, 120PF CERAMIC DISC.
10-6800-02	CAPACITOR, 68PF CERAMIC DISC.
07-0004-00	CAPACITOR, VARIABLE 10K TEN TURN TRIMPOT
02-1032-00	RESISTOR, 10K
02-1532-00	RESISTOR, 15K
02-2222-00	RESISTOR, 2.2K
02-5022-00	RESISTOR, 5K
02-8242-00	RESISTOR, 820K

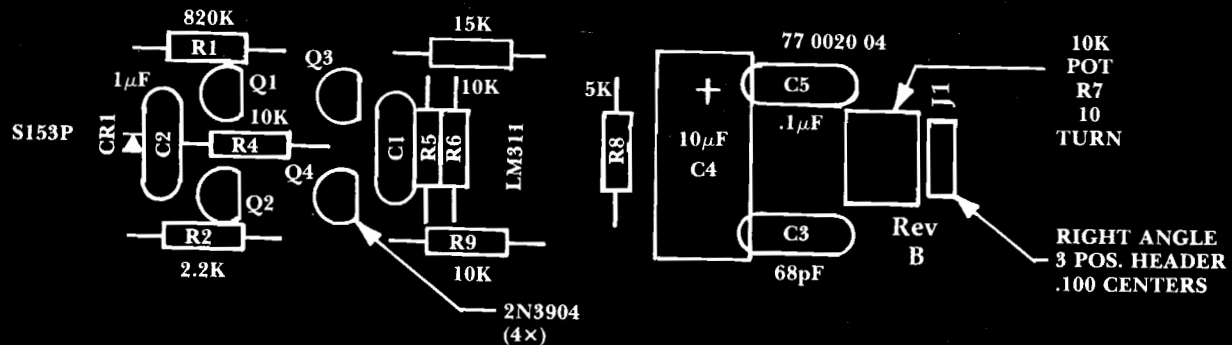


Fig. 15 OPTICAL PCB

## MISCELLANEOUS

### PART NUMBER

### DESCRIPTION

00-0005-00	CROSSBOW™ MANUAL
49-0069-05	AC POWER CORD
35-0001-00	AC LINE FUSE 5 AMP
135-0024-00	110 AC PROGRAM PLUG
137-0025-00	220 AC PROGRAM PLUG

390 JAVA DRIVE,

SUNNYVALE,



CA 94089

TEL. (408) 734-9410

Toll Free Number  
(800) 538-8402