

HUSTLE

MANUFACTURED BY

Gremlin
Industries, inc.

OWNER'S MANUAL

HUSTLE
OPERATING INSTRUCTIONS
AND
SERVICE MANUAL

GREMLIN INDUSTRIES, INC.
8401 Aero Dr.
San Diego, CA. 92123
June 30, 1977

"HUSTLE"

TABLE OF CONTENTS

I. GENERAL INFORMATION

Introduction -----	Page 1
Important Notes-----	Page 2
Warranty/Factory Service -----	Page 3
Repackaging -----	Page 4
Repackaging Diagram -----	Page 5

II. OPERATION

Game Concept -----	Page 6
Operator Options -----	Page 9
Free Game Option Diagram -----	Page 11
System Description -----	Page 12
System Block Diagram -----	Page 14
Character Generation Circuitry Diagram --	Page 15
Tone Generator Diagram -----	Page 16

III. MAINTENANCE

Factory Assistance/Equipment -----	Page 17
Symptoms/Causes -----	Page 18
Key Waveforms Diagram -----	Page 21
Character Code Table -----	Page 22
Parts List -----	Page 24
Schematics -----	Page 28
Motorola 19" Service Manual -----	Page 31

INTRODUCTION

HUSTLE is an electronic game that makes extensive use of digital integrated circuitry and television monitor circuitry. This manual assumes the maintenance technician possesses a general knowledge of solid state circuitry, TTL digital integrated circuitry and T.V. monitor concepts. Any individual NOT knowledgeable in these areas SHOULD NOT attempt repair of the electronic portion of this game. IT SHOULD BE NOTED THAT ANY ATTEMPT TO REPAIR THE GAME IN THE FIELD WITHOUT THE EXPRESS CONSENT OF THE FACTORY WILL IMMEDIATELY VOID THE WARRANTY!!!

IMPORTANT NOTES:

- | | |
|----------------|--|
| NEVER | replace any components with anything other than exact replacement parts. (See Parts List located on Service Schematics.) |
| NEVER | remove circuit boards/connections while power is on. |
| DO NOT | replace the fuse with anything other than the proper value. A blown fuse indicates an overload condition within the game. Replacing the fuse with a higher value can cause severe damage to internal components if an overload occurs. |
| ALWAYS | consult the manual before attempting repairs. |
| CORRESPONDENCE | regarding this game should be addressed to: |

GREMLIN INDUSTRIES, INC.
8401 Aero Drive
San Diego, California 92123
(714) 277-8700

IMPORTANT NOTES

An important service note is posted in the HUSTLE game and is repeated here for emphasis:

IF AT ANY TIME THE T.V. SCREEN SHOWS A MEANINGLESS DISPLAY OR THE GAME OTHERWISE MALFUNCTIONS, SIMPLY DROP A COIN INTO THE COIN MECHANISM. THIS SHOULD CORRECT THE PROBLEM. IF NOT, THE GAME REQUIRES SERVICE.

The circuitry in HUSTLE has been arranged so that the insertion of a quarter through the coin mechanism will reset the system. This clears up temporary problems caused by power line disturbances, static, etc.

SERVICE TECHNICIAN NOTE:

The system reset circuitry described above requires that the coin counter is attached to the system. If there is a coin counter problem and no replacement is available, the game will function properly if a 10K Ohm resistor is connected across the coin counter pins to the video logic board.

WARRANTY/FACTORY SERVICE INFORMATION

WARRANTY HUSTLE is under factory warranty (parts and labor) for the following time periods:

All electronic components/connectors for one (1) year except:

1. Transformers - 90 days
2. Fuses/Lamps - No Warranty

The Warranty covers defects/failure under normal use.

FACTORY SERVICE

Should an assembly become defective, contact your local distributor. Factory authorization to return the assembly will be issued with transportation charges prepaid. If decided upon by factory representative, an advance replacement will be made. No merchandise may be returned to the factory without prior authorization.

The assembly will be repaired and returned, transportation charges prepaid, if still in Warranty and no advance replacement made.

If the assembly is found to be damaged by misuse, improper attempts at repair, or abuse, it will be repaired and returned with transportation and repair charges billed.

Out of Warranty assemblies, if returned to the factory with transportation charges prepaid, will be repaired and returned with transportation and repair charges billed.

In the instance of a defect of an assembly manufactured by other than GREMLIN INDUSTRIES, INC., every effort will be made to assist the customer in obtaining satisfaction from the original manufacturer.

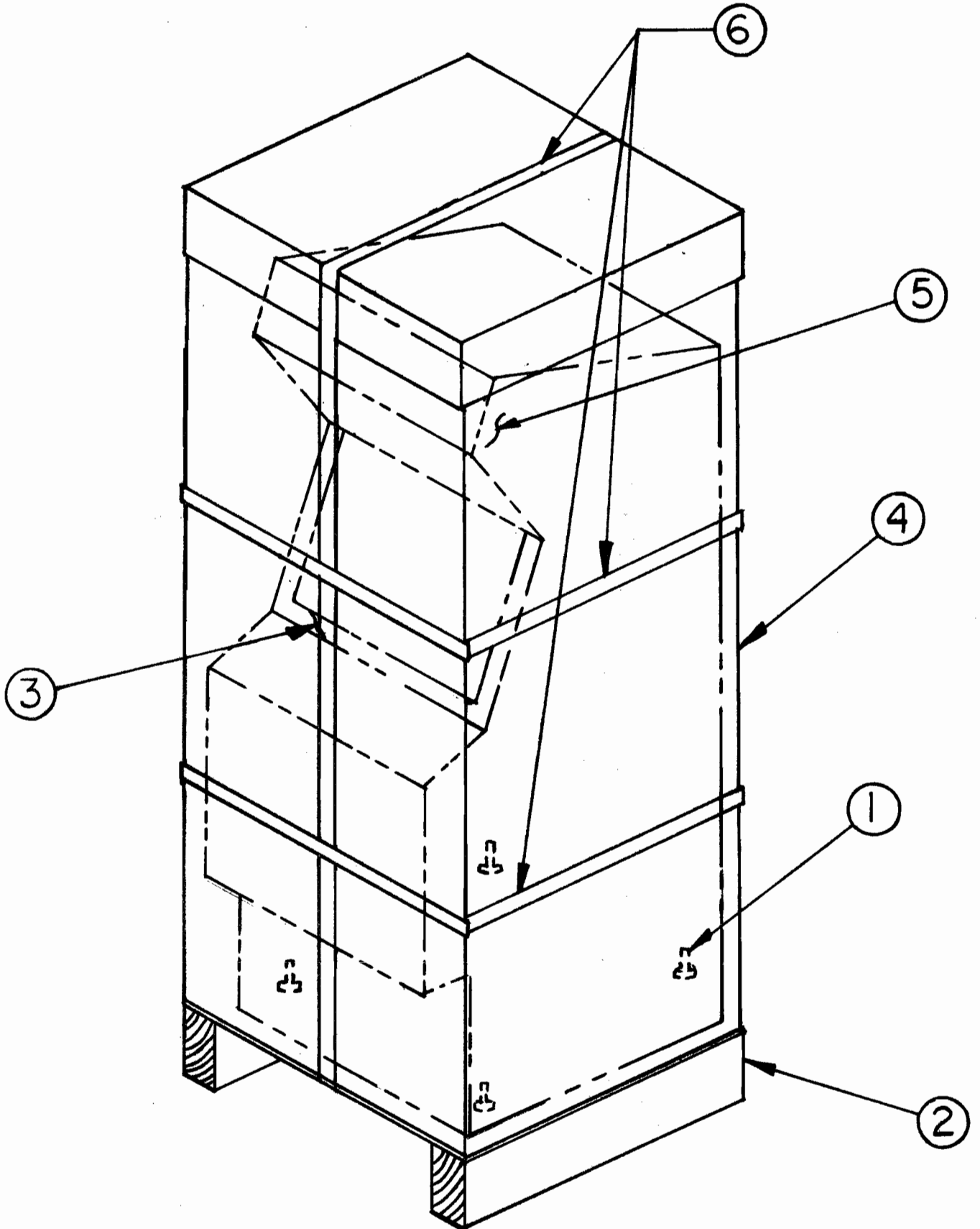
REPACKAGING INSTRUCTIONS

Should it be necessary to ship this game, the following instructions are provided for game crating.

- A) If the original shipping bolts (REF 1) have been discarded, obtain four 5/16-18 x 1 3/4 hex head bolts with 5/16 flat washer. Lay game on its side and attach skid (REF 2).
- B) Place game upright. Tape game keys to upper flange of operator's panel (REF 3). Crate the game using appropriate shock-absorbent packing material (REF 4). Include padding on all four corners of the game (REF 5).
- C) After crating is completed, secure package with strapping (REF 6).

NOTE: If the game is to be shipped to GREMLIN INDUSTRIES for service or repair, attach a tag identifying the distributor and indicate the service or repair to be accomplished; include the full serial number of the game.

REPACKAGING INSTRUCTIONS



GAME CONCEPT

HUSTLE

HUSTLE is a one or two player video game which challenges players' reaction time as they attempt to build up a high score. The object of the game is to maneuver a moving arrow into targets which appear randomly on the screen. Each arrow is accompanied by a "tail", which can be used to block the opponent from scoring targets.

TARGETS -

The targets appear randomly on the playfield. The position of a target, the value of a target, the time a target stays on the screen, and the time before a target appears are all unpredictable. There are never more than two targets on the screen at any time.

To add to the unpredictability, some targets appear with a value of "???". These are mystery targets, and can have a value from -900 points to +900 points. Players go after the mystery targets at their own risk since the only way to determine whether or not a mystery target is positive or negative is to hit the target. Whenever a target is scored, the game pauses while the appropriate player's score is tallied. Two distinctive sounds accompany the scoring, depending on whether the target score is positive or negative. All non-mystery targets (which are all positive), and all mystery targets (which have positive values) are scored with an attention-getting "warble" sound. All mystery targets which prove to be negative are scored with a distinctive "penalty" sound.

CRASHES -

A crash (accompanied by a loud boom sound) occurs whenever a player hits anything other than a target. The three obstacles a player might hit are one of the screen boundaries, the other player's tail, or his own tail. Whenever a crash occurs, the opponent scores 400 points PLUS all target values on the screen. If any mystery targets are on the screen during a crash, their values are revealed, and they are awarded to the opponent. All mystery targets whose values are revealed as the result of a crash are scored positive for the opponent.

GAME SPEED -

The game begins with the players moving at a moderate pace. Every time a target is scored, the pace picks up slightly. After ten targets have been scored without a crash, the pace stays at a maximum rate. Whenever a crash occurs, the pace reverts to its initial moderate value, and increases with each score, as before.

GAME CONCEPT (Cont'd.)

TAIL LENGTH -

Whenever a crash occurs, both players' tails grow longer. The game plays quite differently as it progresses. At the beginning of a game, both players have short tails and are highly maneuverable. At this stage the game is a "foot race" to score the targets. As players crash and tails get longer, a blocking strategy is added to the race for the targets. This constantly changing nature of the game is designed to provide long-lasting appeal, and insure a long earning history.

SINGLE PLAYER -

HUSTLE has been designed to be just as exciting for one player as it is for two. A single player plays against himself, and not against "the computer".

The single player game is initiated by simply pressing the ONE PLAYER START button instead of the TWO PLAYER START button after inserting a coin. The controls for one player are located on the right side of the control panel. The game plays the same as for two players, with these exceptions:

1. There is a single arrow and tail, instead of two.
2. Crashes are scored as PENALTY points, with the same score as in the two player game. That is, a crash scores 400 plus all on-screen targets into the PENALTY score.
3. At the end of the game, the PENALTY points are subtracted from the player's score.

The object of the single player game is to rack up as many points as possible. The game action is the same as the two player game, with the lengthening tail and the accelerating pace.

FREE GAMES -

For areas of the country where free games are legal, HUSTLE can be set to award free games for scores of 11,000; 13,000; 15,000 or 17,000 points. The game is shipped with the free game option disabled. If free games are legal in your area, it is highly recommended that you enable them---they provide an extremely powerful incentive to play the game, and thus increase your earnings.

Free games are awarded only in the single player game, since the two player game could give free games any time two players cooperated to give one of the players a very high score.

It is not possible to win two free games in a row (i.e. no free games on free games).

GAME CONCEPT (Cont'd.)

FREE GAMES - (Cont'd.)

Whenever free games are enabled, the message "SCORE XX000 POINTS FOR FREE GAME" appears on the screen just after the ONE PLAYER START button is pressed. The XX will be 11, 13, 15, or 17 depending on how you jumper the game (see OPERATING INSTRUCTIONS). This message is displayed for about 5 seconds, and then the single player game begins. Whenever a free game is won, the message FREE GAME! is momentarily displayed on the screen, followed by the message PRESS START. If at this point ONE PLAYER START is pressed, the free game score message will not be displayed before the game starts, since a second consecutive free game will not be awarded. It is also possible to press the TWO PLAYER START after a free game is awarded and play a two player game.

GAME TIME -

The top margin of the game contains the word TIME, with a two digit timer above it. The game starts with a time value of 90, and decrements to 0, at which time the game is over. The timer actually counts player moves rather than "ticking" once per second. Also, the timer stops during all scoring. These effects produce a repeatable game time of about 2 minutes.

It is possible to shorten the game time to about 1-1/2 minutes by changing an internal jumper. In this case, the timer still begins at 90, but it "ticks" faster.

COINS -

HUSTLE is set to play either the one or two player game for a single coin (both games take approximately the same time). An internal option allows game play for two coins, three coins or four coins. If this option is enabled, the message "MORE COINS" appears each time a coin is inserted, until the proper number is inserted. At this time, the message "PRESS START" appears. Our location tests indicate that the single coin mode (as shipped) will maximize your income, so no adjustment should be necessary.

ANTI-CHEAT -

HUSTLE contains a feature which will not give game credits if the coin switch is manually depressed, or if the coin door is slammed. In checking out the game, you must actually insert a coin to get things started--flicking the coin switch will not always start the game.

OPERATOR OPTIONS

HUSTLE is shipped with the following preset options:

1. FREE GAME option disabled.
2. Game length approximately 2 minutes.
3. One coin per play.

If free games are legal in your area, it is highly recommended that the game be set for free games. A single jumper inside the game sets the free game score at 11,000; 13,000; 15,000 or 17,000 points.

Our location tests indicate that most games should initially be set at 11,000 or 13,000. It is a good idea to start with 11,000, and after 1-2 weeks, increase to 13,000. Only in high skill areas such as college recreation areas should the free game score be set for 15,000. 17,000 should be used only if the game has been mastered by many people.

DO NOT set the free game score too high to start--this will turn off many beginning players.

To enable freegame option diagram, follow these instructions:

1. Disconnect power and remove the back from the game.
2. Locate the large printed circuit board (mounted on the horizontal shelf).
3. At the rear of the circuit board is a row of connectors. These connectors are arranged in four groups of ten pins. The right hand connector has no receptacle on it--only ten pins with a wire jumper. This jumper sets the free game option as shown in the figures in Diagram #2.

OPERATOR OPTIONS (Contd.)

4. Remove the jumper from pin 1 and plug it into pin 7, 8, 9, or 10, depending on the desired free game score. To disable free games, place the jumper on pin 1.

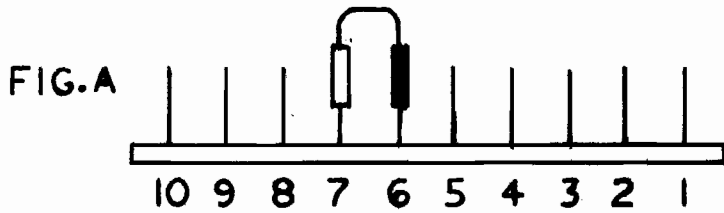
The game length and number of coins per play are jumpered in a similar manner. For details refer to the cabinet wiring schematic at the rear of the manual. The jumper wires required to activate these options are taped to the appropriate connector harnesses.

Whenever HUSTLE is not being played, an advertisement sequence is initiated. Targets continuously appear and disappear from the screen to attract attention. To avoid patron confusion, the words "Game Over" appear while the advertising is in progress.

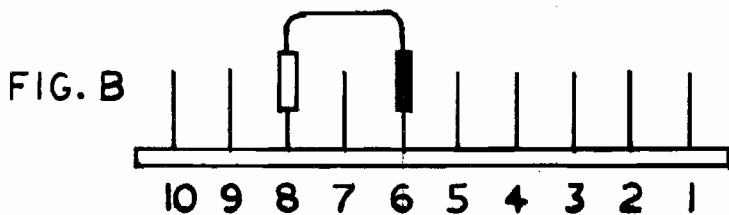
E-Z Adjusttm Control Panel - HUSTLE has one adjustment which is located on the back of the coin door:

VOLUME CONTROL - Set to desired volume for boom and tones during the game.

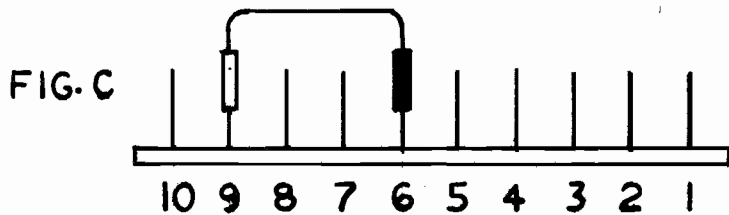
FREE GAME OPTION DIAGRAM



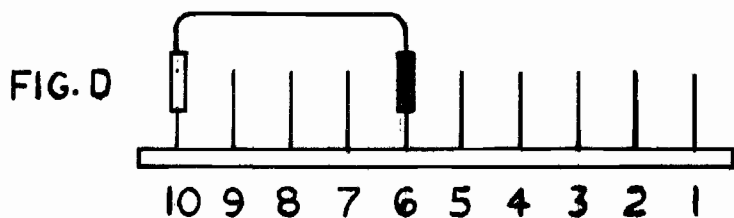
FREE GAME
AT 17,000 POINTS



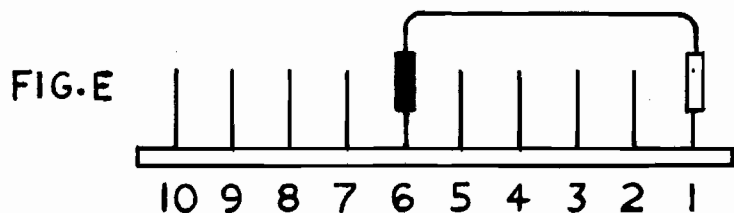
FREE GAME
AT 15,000 POINTS



FREE GAME
AT 13,000 POINTS



FREE GAME
AT 11,000 POINTS



NO FREE GAMES

SYSTEM DESCRIPTION

1. SEE SYSTEM BLOCK DIAGRAM (Fig. 3)

2. MICROPROCESSOR -

The game microprocessor is a Model 8080A and it functions as the Central Processing Unit (CPU) in the system. The CPU (1) is synchronized by a clock circuit which provides frequencies required by the CPU and the Video Timing Logic (14).

Address Bus (4) selects the memory addresses to be accessed by the CPU. It is routed to three subsystems:

1. Read Write Memory (6): A random Access Memory (RAM) used to form a first in/last out (stack) memory. Used to perform subroutine calls and returns, also used for temporary data storage during program execution.
2. Read Only Memory (ROM) (7): Stores program instructions for the CPU.
3. Address Multiplexer (8): Selects either CPU addresses or addresses from the Video Timing Logic. Used to address the Video Refresh Memory (9).

Data Bus (5) carries data to and from the CPU. It receives data from Read Write Memory, Read Only Memory, Video Refresh Memory and Input Ports (12). The Bus transmits data to Read Write Memory, Output Ports and Video Refresh Memory. The Input Ports accept player control data (19). The Output Port (13) initiates sound control and activates any external logic and indicators needed by the game.

Timing and Control Logic (11) generates synchronizing signals to keep system operation and synchronized to the CPU. It controls:

1. Memory Read
2. Memory Write
3. Input Port Read
4. Output Port Write

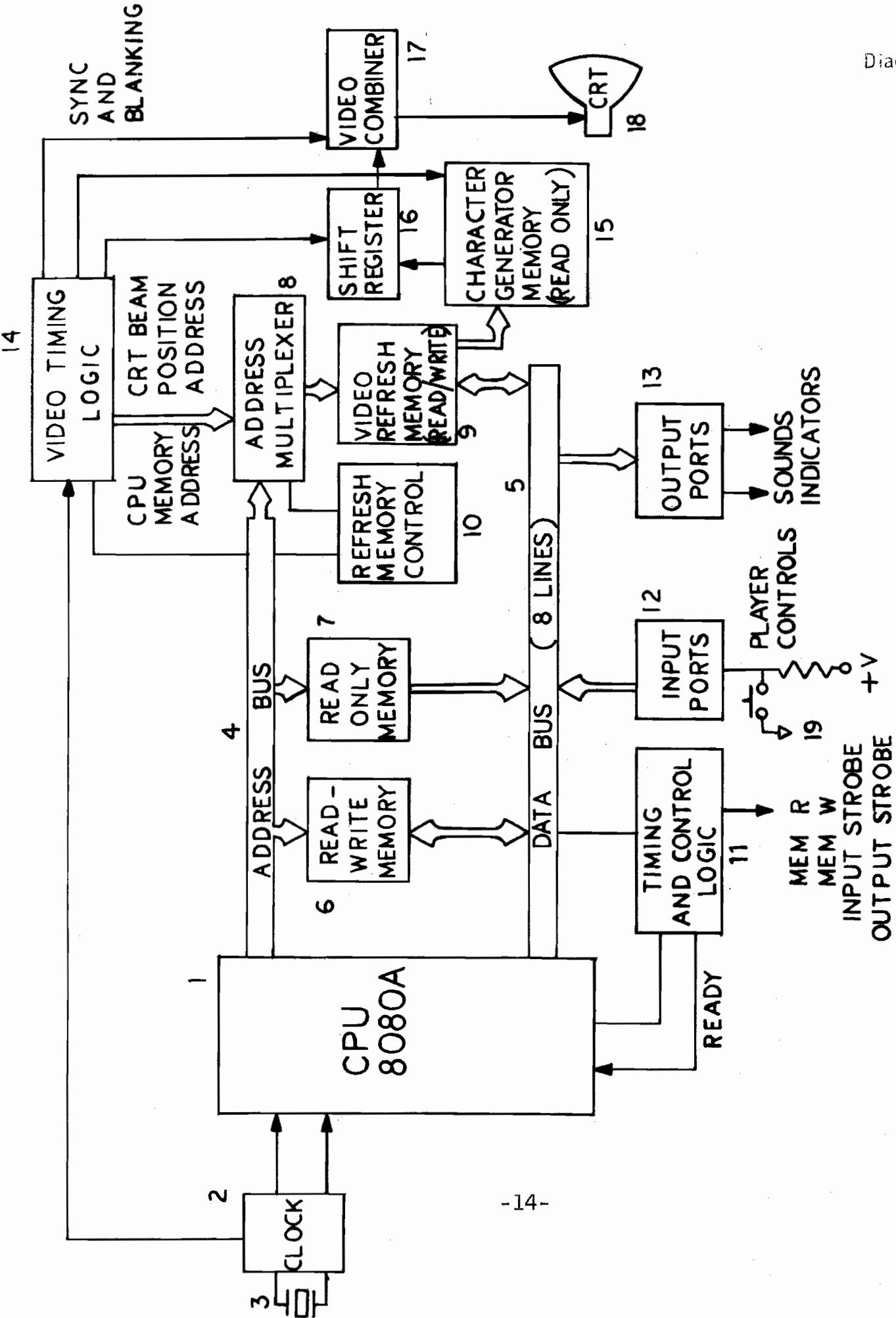
SYSTEM DESCRIPTION (Cont.d)

The remaining elements in Figure 1 convert CPU system information into a video display format. The T.V. monitor (18) uses a standard 525 scan line system.

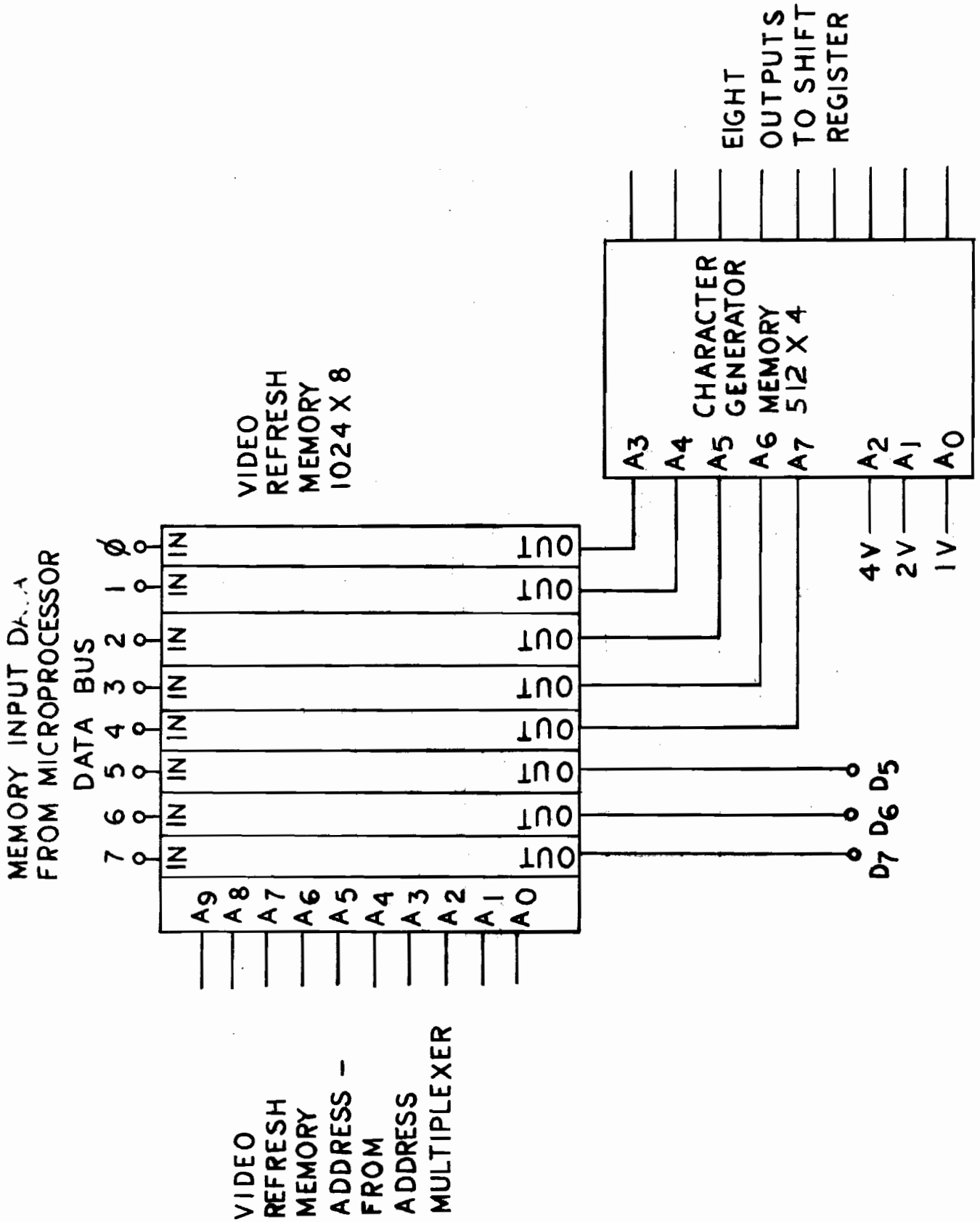
Video Refresh Memory (9) stores information from the CPU which is read out as the CRT beam sweeps across the screen. It is addressed from two sources as controlled by Address Multiplexer (8). During vertical sweep retrace of the CRT, the Video Refresh Memory is addressed by the CPU so information can be updated. During scan time, Video Refresh Memory is addressed by Video Timing Logic (14). Refresh Memory Control (10) insures that address demands from Video Timing Logic and the CPU never occur simultaneously.

Character Generator Memory (15) provides a means for Video Refresh Memory to select 64 dots for each 8 word access. Each image, on the display, has the dimensions of 8 dots high, and 8 dots wide. Shift register (16) develops this into a video signal. (See Fig. 2)

A Tone Generator is driven by Output Ports (13). The CPU controls the frequency of the tone by loading a number (0-255) into the Output Ports (13). A direction change by a player will cause the CPU to load a different number into the Output Port, changing the tone. (See Fig. 3) This generator also produces the "warble" sound heard during scoring.



SYSTEM BLOCK DIAGRAM



CHARACTER GENERATION CIRCUITRY

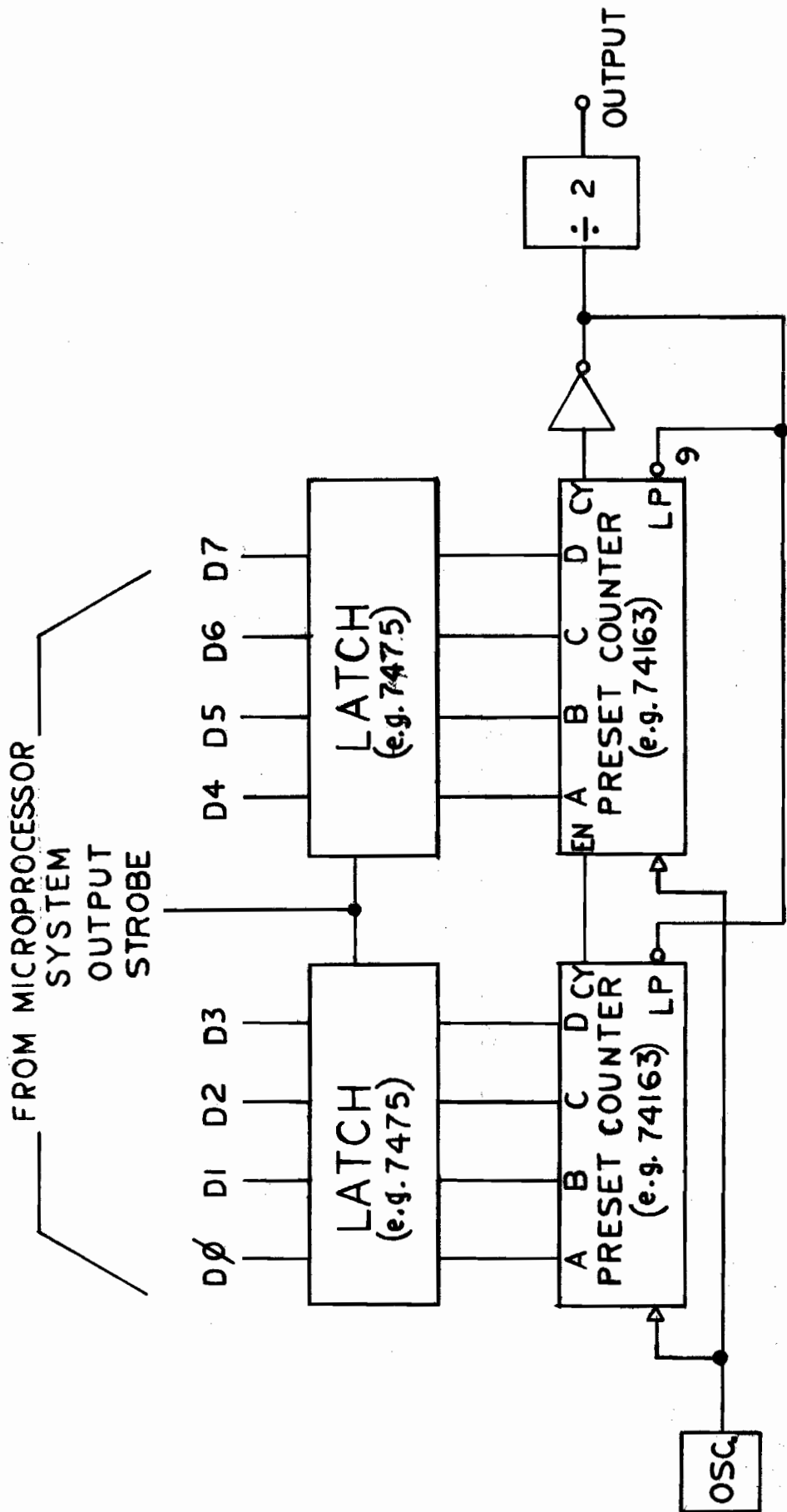


Diagram #5

TONE GENERATOR
FIG. 5

FACTORY ASSISTANCE & EQUIPMENT

FACTORY ASSISTANCE:

TECHNICAL HELP IS AVAILABLE FROM THE GREMLIN FACTORY, IF A PROBLEM OCCURS WHICH CANNOT BE EASILY RESOLVED BY YOUR DISTRIBUTOR, A PHONE CALL OR LETTER TO THE FACTORY WILL BRING ATTENTION TO YOUR PROBLEM BY A TRAINED REPRESENTATIVE

NOTE: IF AT ANY TIME THE T.V. SCREEN SHOWS A MEANINGLESS DISPLAY OR THE GAME OTHERWISE MALFUNCTIONS, DROP A COIN IN THE COIN MECHANISM. THIS SHOULD CORRECT THE PROBLEM. IF NOT, THE GAME REQUIRES SERVICE.

EQUIPMENT: The following is a recommended list for anyone attempting to service HUSTLE.

1. Oscilloscope - 50 mhz or wider band width
2. DVM (Digital Volt Meter)
3. OHM Meter
4. Logic Probe
5. Solder Station - 75 Watt or less
6. Jumpers
7. Replacement parts including game programs:
1024 x 4 proms 316-0016, 316-0017, 316-0018, and
316-0019

SYMPTOMS/CAUSES

HUSTLE POWER SUPPLY MALFUNCTIONS:

1. Remove Output Connectors
2. Initial Tests: (GND lead to C-18 negative terminal located off board.)
 - a. +9v at "+" of C-18
 - b. +19v at C-6 (4700 mfd)
 - c. -19v at C-5 (4700 mfd)
 - d. -12v at pin 11
 - e. +12v at pin 12
 - f. +5v at pins 18-20
 - g. zero v (GND) at pins 14-16
3. If adjustments are required, attach meter ground to pins 14, 15 or 16 or equivalent local ground and:
 - a. +5v adjust - input lead to pins 18, 19, 20 and adjust R-9 for +5.0 to +5.1VDC
 - b. +12v adjust - input lead to pin 12 and adjust R-8 for 11.5 to -12.1VDC
4. If initial test is good, attach output connectors to Video Logic Board. Repeat Step 2.
 - a. If readings differ from those previously taken, a loading problem exists on the Video Logic Board.

No -12VDC or 5VDC on the Video Logic Board: (Power Supply Normal)

Video Logic Board Schematic (VLBS) (SH. 2). CHECK U-65, C-29 for open/short. CHECK R-40, C-12, D-2 (VLBS) (SH. 1).

No +12VDC at CPU: (Power Supply Normal)

(VLBS) (SH. 2). CHECK U-65, C-28, (VLBS) (SH. 1). CHECK C-23, C-25.

SYMPTOMS/CAUSES (Cont'd.)

No Ø1, Ø2 CLOCKS: (Ref. Fig. 4A)

(VLBS), (SH. 1). CHECK U-32 pins 1 and 3 for 20.79MHZ. CHECK U-31 pins 14, 13, 12 and 11 for 150 nsec sinewave. CHECK U-17 pins 1, 3, 4, and 10. CHECK latch network U-18 and U-8. CHECK high voltage outputs of U-30 pins 3 and 6. If not present, remove driver transistor. Should U-30 now output, replace driver transistor, if still not present replace U-30. U-45 could load down Ø1 clock.

No Coin Start:

(VLBS) (SH. 1) CHECK output U-9 pin 6. If signal not present, lift U-10 pin 5. Should signal return, replace U-10. If still not present, CHECK output of U-8 pin 3. CHECK D-8 pull up diode and C-18. CHECK U-14. U-32 could be shorting signal to Q₃ and Q₄.

No Coin Meter Action:

(VLBS) (SH. 1). Signal from U-8 pin 11 feeds current limiter R-27 to Q₄. Saturated Q₄ turns on high current transistor Q₅. Either Q₄ or Q₅ faulty, will inhibit meter.

No Player Control:

(VLBS) (SH. 1). Input accepted through U-12 and U-13 via data lines when strobe IND2 signal is generated through U-18 from U-45 and U-51 (status latch). CHECK U-18 pin 11, U-45 pin 8, U45 pin 11, U-51 pin 10 for strobe pulse.

No Game Time Select:

(VLBS) (SH. 1). Input accepted through U-11 via data lines when strobe IND 1 signal is generated through U-18 from U-45 and U-51. CHECK U-18 pin 3, U-45 pin 8, U-45 pin 11, U-51 pin 10 for strobe pulse.

Meaningless Display on Screen: (Inserting coin does not correct problem)

There are two probable areas:

1. A program malfunction -
 - a. CHECK PROM sockets, U-2, U-3, U-4 and U-5

SYMPTOMS/CAUSES (Cont'd.)

2. A data transfer malfunction -
 - a. Test the CPU Data Bus by ensuring proper voltage levels. Pullup resistors are used to make memory outputs compatible with the 8080A. High State Logic on the Data Bus should be 3.3v minimum. For involved problems in this area contact GREMLIN INDUSTRIES.

Characters on Screen not correct: (Wrong image behaves normally)

(VLBS) (SH. 2). Use character generator code table to isolate possible bad RAM (U-37; U-38; U-39; U-40; U-41; or U-42). Also probable are U-22, U-23 (data buffers), U-24, U-25, U-26 (multiplexers), U-29 and U-43, U-49 (shift register).

No Video: (Ref. Fig. 4B, 4C, 4D)

(VLBS) (SH. 2). CHECK U-54, U-53 circuitry for H reset. U-52 pin 1, clock for horizontal scan. U-55, U-58 provides timing for vertical scan. U-64 develops sync pulses.

Monitor Malfunction:

Refer to Motorola Service Manual (File VP 12). This manual included with HUSTLE schematics.

Audio Tones; Sour/None:

(VLBS) (SH. 2). U-68, U-61, U-62, U-66, U-67, U-60 comprise tone generator. Amplifier on Power Supply Board (U-4, Q₅, Q₃, Q₈, Q₉). Could also be problem area.

Boom; Sour/None:

(VLBS) (SH. 1, SH. 2). D-6, Q₁₀, Q₉, Q₁₁, U-5, Q₇, Q₈. Generates Boom.

Amplifier section on Power Supply Board (U-4, Q₅, Q₃, Q₈, Q₉), also probable.

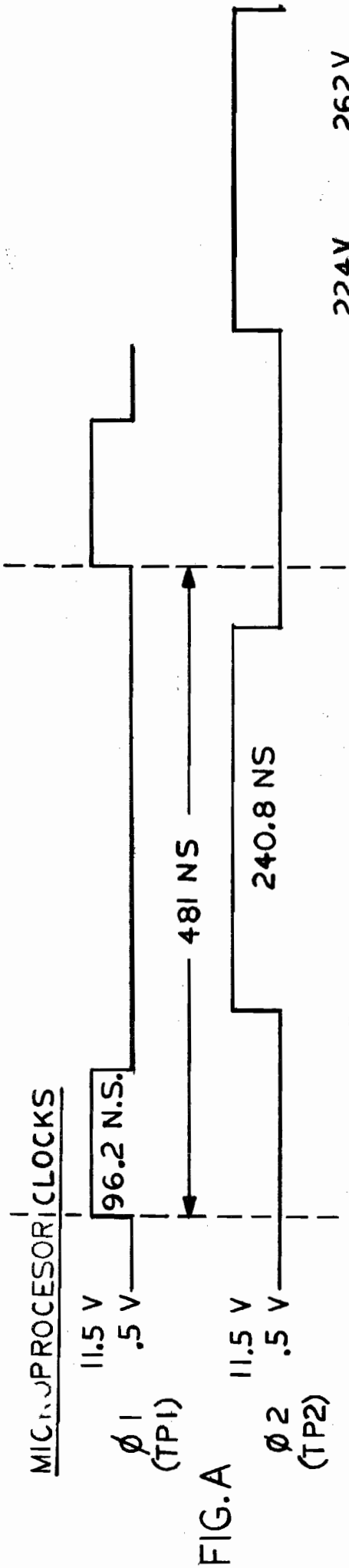


FIG. A

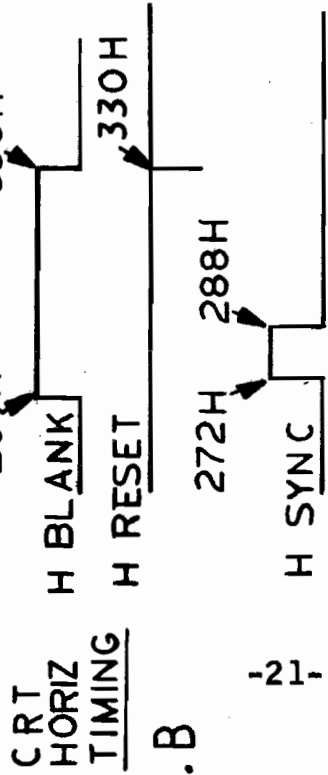
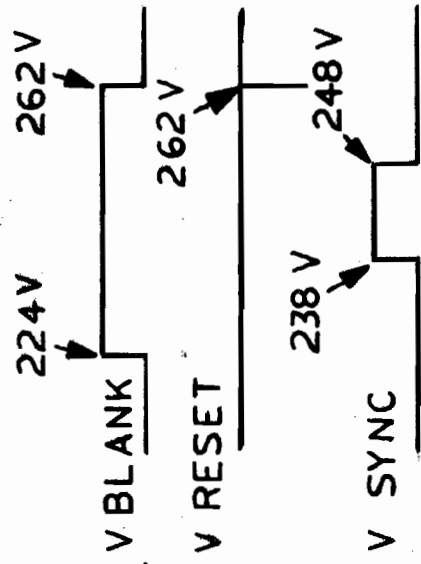


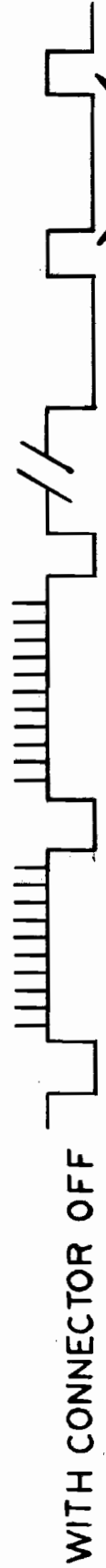
FIG. B

CRT VERTICAL TIMING
 FIG. C



VIDEO OUTPUT

FIG. D



4 INVERTED HORIZ SYNC PULSES DURING V BLANK

Diagram #6

KEY WAVEFORMS

C H A R A C T E R C O D E T A B L E

I.C. (U#)							I.C. (U#)						
37	38	39	40	41	42		37	38	39	40	41	42	
0	0	0	0	0	0	(SPACE)	1	1	0	0	0	0	Ø
0	0	0	0	0	1	?	1	1	0	0	0	1	1
0	0	0	0	1	0	—	1	1	0	0	1	0	2
0	0	0	0	1	1	▨	1	1	0	0	1	1	3
0	0	0	1	0	0	■	1	1	0	1	0	0	4
0	0	0	1	0	1	■	1	1	0	1	0	1	5
0	0	0	1	1	0	■	1	1	0	1	1	0	6
0	0	0	1	1	1	■	1	1	0	1	1	1	7
0	0	1	0	0	0	◆	1	1	1	0	0	0	8
0	0	1	0	0	1	◆	1	1	1	0	0	1	9
0	0	1	0	1	0	◆	1	1	1	0	1	0	(NOT USED)
0	0	1	0	1	1	◆	1	1	1	0	1	1	▣
0	0	1	1	0	0	◇	1	1	1	1	0	0	▨
0	0	1	1	0	1	◇	1	1	1	1	0	1	▣
0	0	1	1	1	0	◇	1	1	1	1	1	0	!
0	0	1	1	1	1	◇	1	1	1	1	1	1	⋯

SMALL

CHARACTER CODE TABLE

I.C. (U#)							I.C. (U#)						
37	38	39	40	41	42		37	38	39	40	41	42	
1	0	0	0	0	0	A	1	1	0	0	0	0	∅
1	0	0	0	0	1	C	1	1	0	0	0	1	1
1	0	0	0	1	0	E	1	1	0	0	1	0	2
1	0	0	0	1	1	F	1	1	0	0	1	1	3
1	0	0	1	0	0	□	1	1	0	1	0	0	4
1	0	0	1	0	1	□	1	1	0	1	0	1	5
1	0	0	1	1	0	□	1	1	0	1	1	0	6
1	0	0	1	1	1	□	1	1	0	1	1	1	7
1	0	1	0	0	0	G	1	1	1	0	0	0	8
1	0	1	0	0	1	I	1	1	1	0	0	1	9
1	0	1	0	1	0	L	1	1	1	0	1	0	S
1	0	1	0	1	1	M	1	1	1	0	1	1	T
1	0	1	1	0	0	N	1	1	1	1	0	0	V
1	0	1	1	0	1	O	1	1	1	1	0	1	Y
1	0	1	1	1	0	P	1	1	1	1	1	0	(NOT USED)
1	0	1	1	1	1	R	1	1	1	1	1	1	(NOT USED)

LARGE

HUSTLE PARTS LIST

<u>DESCRIPTION</u>	<u>QTY USED</u>	<u>PART NUMBER</u>
ASSY, COIN COUNTER	1	807-0011
CONN, CRIMP LOCK	2	211-0005
CONN, KEY POLARIZING	1	211-0007
CONN, FEM 10 PIN	1	211-0016
COUNTER, DIGITAL	1	220-0008
ASSY, CONTROL BLOCK	1	813-0004
CONN, CRIMP COINBOX	6	211-0001
CONN, CRIMP LOCK	10	211-0005
CONN, KEY, POLARIZING	4	211-0007
CONN, SPADE LUG 1/4"	1	211-0019
SOLDER LUG #10	1	211-0027
CONN, FEM 4 PIN BLK	2	212-0005
CONN, FEM 10 PIN	1	212-0016
KNOB, VOL CONTROL	1	240-0001
SWITCH BRACKET	1	250-0031
ASSY, HUS OPER. SWITCH	1	813-0002
CONN CRIMP LOCK	11	211-0005
CONN, KEY, POLARIZING	1	211-0007
CONN, SPADE LUG 1/4"	1	211-0019
CONN SPADE LUG #10	1	211-0027
SWITCH ASSY WICO	10	212-0016
CONN, FEM 10 PIN	1	510-0023
ASSY, HUS VIDEO LOGIC	1	813-0001
ASSY, JUMPER HARNESS	1	807-0006
CONN, CRIMP LOCK	16	211-0005
CONN, KEY, POLARIZING	4	211-0007
CONN, FEM 10 PIN	2	212-0016
ASSY, JUNCTION BOX	1	807-0009
BOX, JUNCTION	1	140-0016

HUSTLE PARTS LIST (Cont'd.)

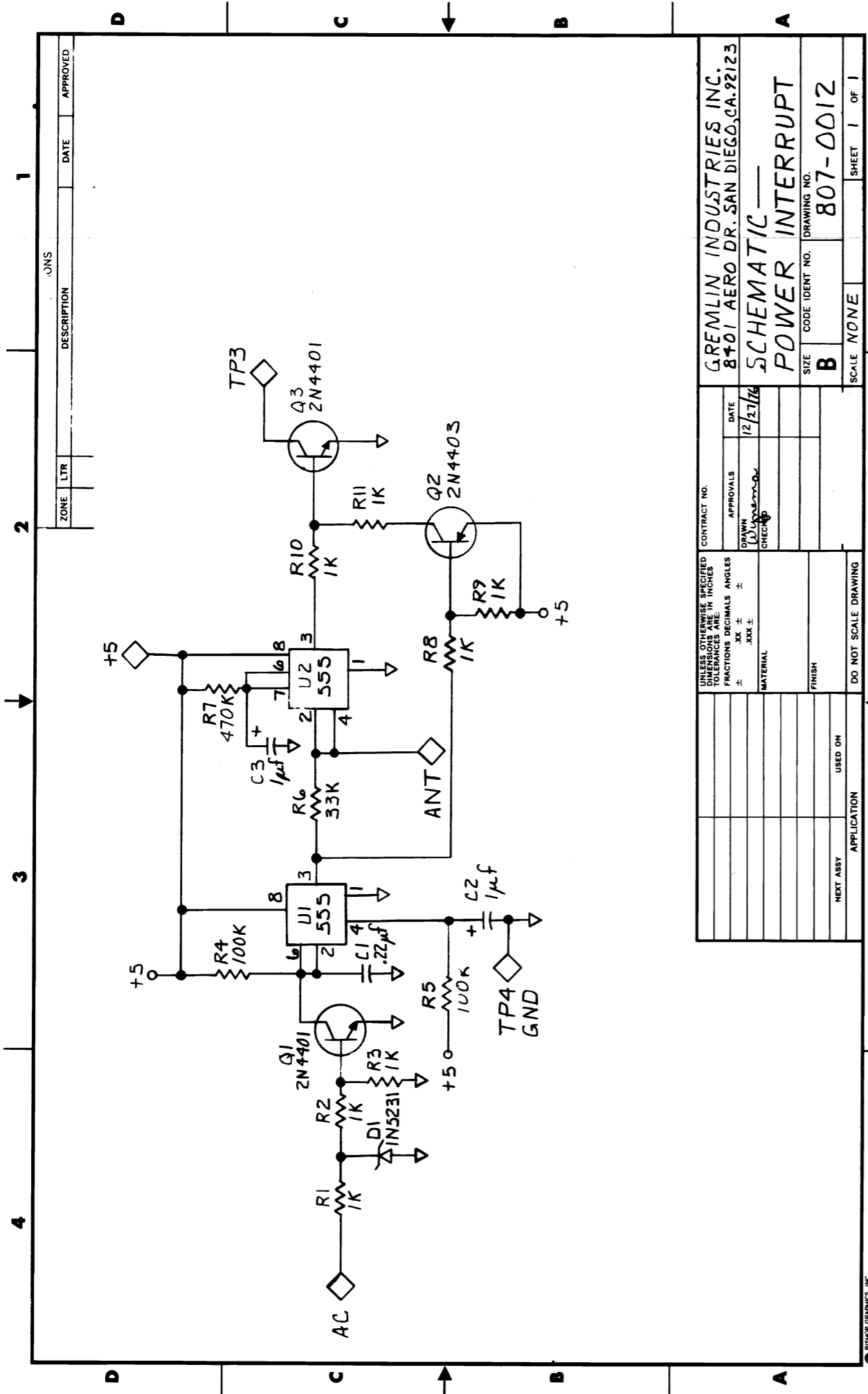
<u>DESCRIPTION</u>	<u>QTY USED</u>	<u>PART NUMBER</u>
COVER, JUNCTION BOX	1	140-0017
CONN, QUICK, 1/4" FEM	2	211-0017
CONN, SPADE LUG 1/4"	14	211-0019
CONN, QUICK 3/16" FEM	4	211-0022
BUSHING, STR/RELIEF	2	280-0007
TERMINAL STRIP 6 POS	1	280-0011
MARKER, TERM STRIP	1	280-0017
SWITCH SPDT CHERRY	1	510-0013
FUSE, 2 AMP 250V SB	1	514-0001
HOLDER, FUSE	1	514-0005
CORD, LINE, 3 COND.	1	600-0001
ASSY, MONITOR HARNESS	1	807-0005
CONN, CRIMP LOCK	2	211-0005
CONN, KEY, POLARIZING	2	211-0007
CONN, SPADE LUG 1/4"	3	211-0019
CONN, 12 PIN BLOCK	1	211-0025
CONN, PIN CRIMP, FEM	5	211-0026
CONN, FEM 4 PIN BLK	1	212-0005
ASSY, POWER INTERRUPT	1	807-0012
CAP, E, 1M50V	2	150-0009
CAP, F, .22M100V	1	152-0002
PCB POWER INTERRUPT	1	170-0073
CONN, FEM 10 PIN RT/A	1	212-0017
IC TIMER NE555	2	314-0001
RES 1K OHM ;/2W 5%	7	471-0102
RES, 100K 1/2W 5%	2	471-0104
RES, 33K 1/2W 5%	1	471-0333
RES, 470K 1/2W 5%	1	471-0474
DIODE, ZENER 1N5231	1	481-0008
XISTOR 2N4403	1	482-0006
ASSY, POWER SUPPLY	1	807-0003
ASSY, PWR SUPP/AMP B	1	807-0002

HUSTLE PARTS LIST (Cont'd.)

<u>DESCRIPTION</u>	<u>QTY USED</u>	<u>PART NUMBER</u>
BUSHING S/REL 3/8"	1	280-0001
BUTTON, PLUNGER WHITE	10	240-0008
CABINET, UPRIGHT	1	140-0014
CASHBOX, UPRIGHT	1	220-0012
CLIP, SWITCH	1	250-0048
CLIP, WIRE HOLDDOWN	35	280-0004
COIN MECHANISM, DUAL	1	220-0010
CORNER STRIP	4	420-0037
COVER GRAPHIC PANEL	1	253-0030
COVER, SPEAKER 6 x 9	1	130-0002
DECAL, CAUTION 115V	1	420-0030
DECAL, HUSTLE	1	420-0067
DECAL, IMPORTANT NOTE	2	420-0038
DECAL, RE-CYCLE	1	420-0040
DECAL, S/N	1	420-0028
DECAL, S/N SMALL	1	420-0041
DECAL, SERVICE	1	420-0029
DECAL, TIP N.TELL	1	420-0060
DRAWINGS, HUSTLE	1	420-0068
FEET, CABINET	4	280-0030
FIXT, LAMP FLUOR 18"	1	390-0012
FRAME, BEZEL	1	250-0032
GRAPHIC, PANEL OPTR.	1	253-0027
LAMP, FLUORESCENT, 18"	1	390-0011
LATCH, LOCK UPRIGHT	1	220-0015
LID, ASSY, COIN BOX	1	220-0016
LOCK, PANEL	1	220-0009
MANUAL, HUSTLE	1	420-0069
MASK, SHADOW CABINET	1	253-0014
MOLDING STRIP	1	250-0038
MOLDING-TRIM, LOWER	1	250-0109
MONITOR, VIDEO 19 IN	1	200-0002
MOUNT BKT COIN BOX	1	252-0014
NUT, WIRE	2	280-0010
PANEL, DISPLAY UPPER	1	253-0036
PANEL, GRAPHIC FRONT	1	253-0034
PANEL, MONITOR SCREEN	1	253-0037
PANEL, OPERATOR	1	250-0102

HUSTLE PARTS LIST (Cont'd.)

<u>DESCRIPTION</u>	<u>QTY USED</u>	<u>PART NUMBER</u>
PLATE, COIN RETENSION	1	250-0062
PLATE, LOCK STRIKE	1	250-0033
SPACER, WICO SWITCH	12	253-0031
SPEAKER, GAME 6 x 9	1	130-0001
SPRING, RETAINER	1	250-0034
TRIM, CONTROL PANEL	2	250-0106
TOP COVER	1	420-0035
WASHER, ANCHOR	1	280-0028
WRAPAROUND SIDE	1	420-0034



GREMLIN INDUSTRIES INC.
8401 AERO DR. SAN DIEGO, CA. 92123

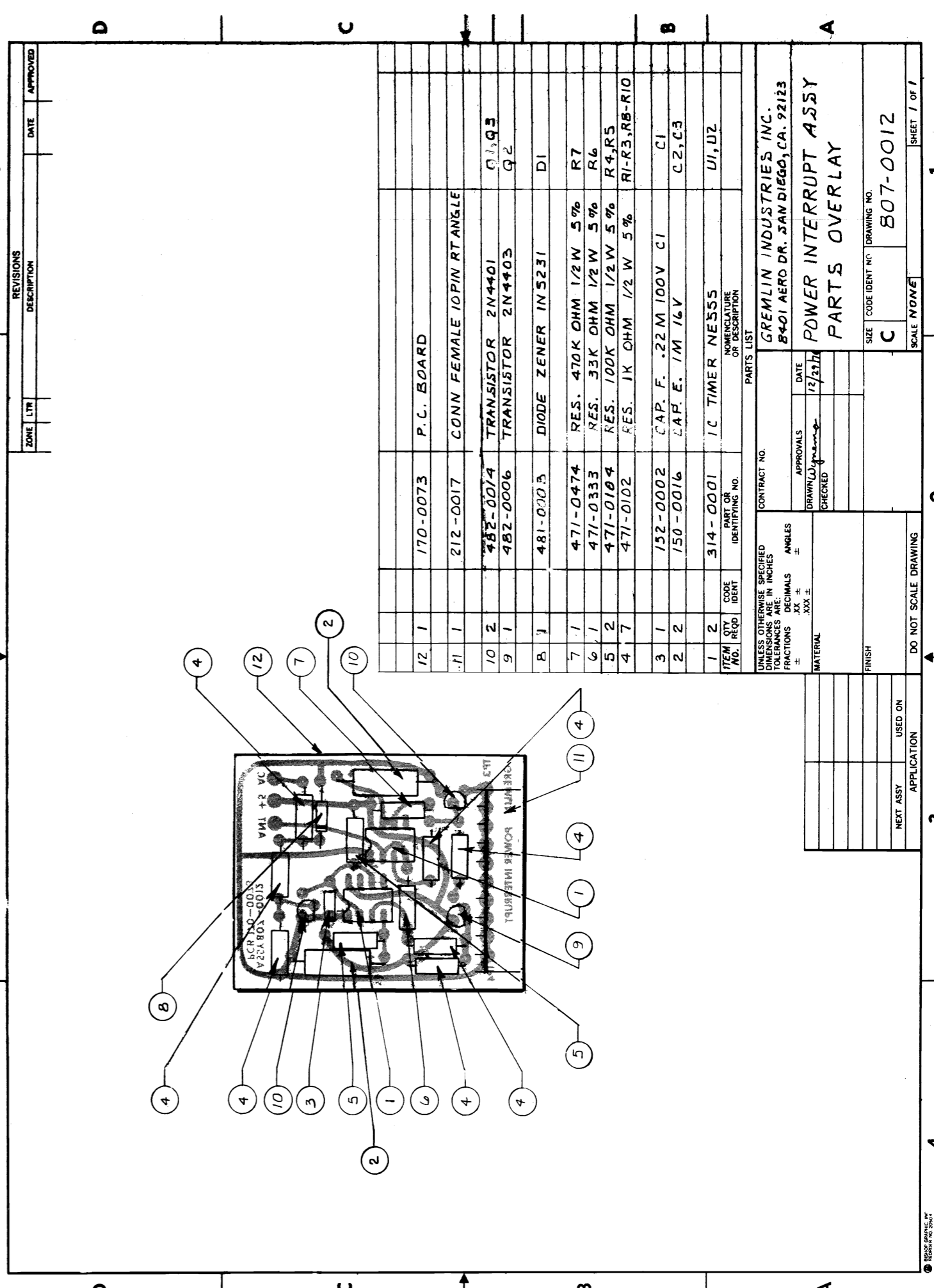
**SCHEMATIC —
POWER INTERRUPT**

SIZE CODE IDENT NO. DRAWING NO.
B 807-0012

SCALE NONE SHEET 1 OF 1

UNLESS OTHERWISE SPECIFIED DIMENSIONS ARE IN INCHES FRACTIONS DECIMALS ANGLES	CONTRACT NO.	DATE
.XX ± .XXX ±	170-0073	12/21/74
MATERIAL	APPROVALS	
FINISH	DRAWN	
	CHECKED	
DO NOT SCALE DRAWING		
NEXT ASSY	APPLICATION	USED ON

BRIDGE GRAPHICS, INC.
RECORD NO. 2080



REVISIONS	ZONE	LTR	DESCRIPTION	DATE	APPROVED
1			P.C. BOARD		
2			CONN FEMALE 10PIN RT ANGLE		
3			TRANSISTOR 2N4401	01, 03	
4			TRANSISTOR 2N4403	Q2	
5			DIODE ZENER IN5231	DI	
6			RES. 470K OHM 1/2 W 5%	R7	
7			RES. 33K OHM 1/2 W 5%	R6	
8			RES. 100K OHM 1/2 W 5%	R4, R5	
9			RES. 1K OHM 1/2 W 5%	R1-R3, R8-R10	
10			CAP. F. .22M 100V CI	C1	
11			CAP. E. 1M 16V	C2, C3	
12			IC TIMER NESSS	U1, U2	

PARTS LIST

UNLESS OTHERWISE SPECIFIED DIMENSIONS ARE IN INCHES FRACTIONS DECIMALS ANGLES

.XX ±
.XXX ±

MATERIAL

FINISH

DO NOT SCALE DRAWING

NEXT ASSY

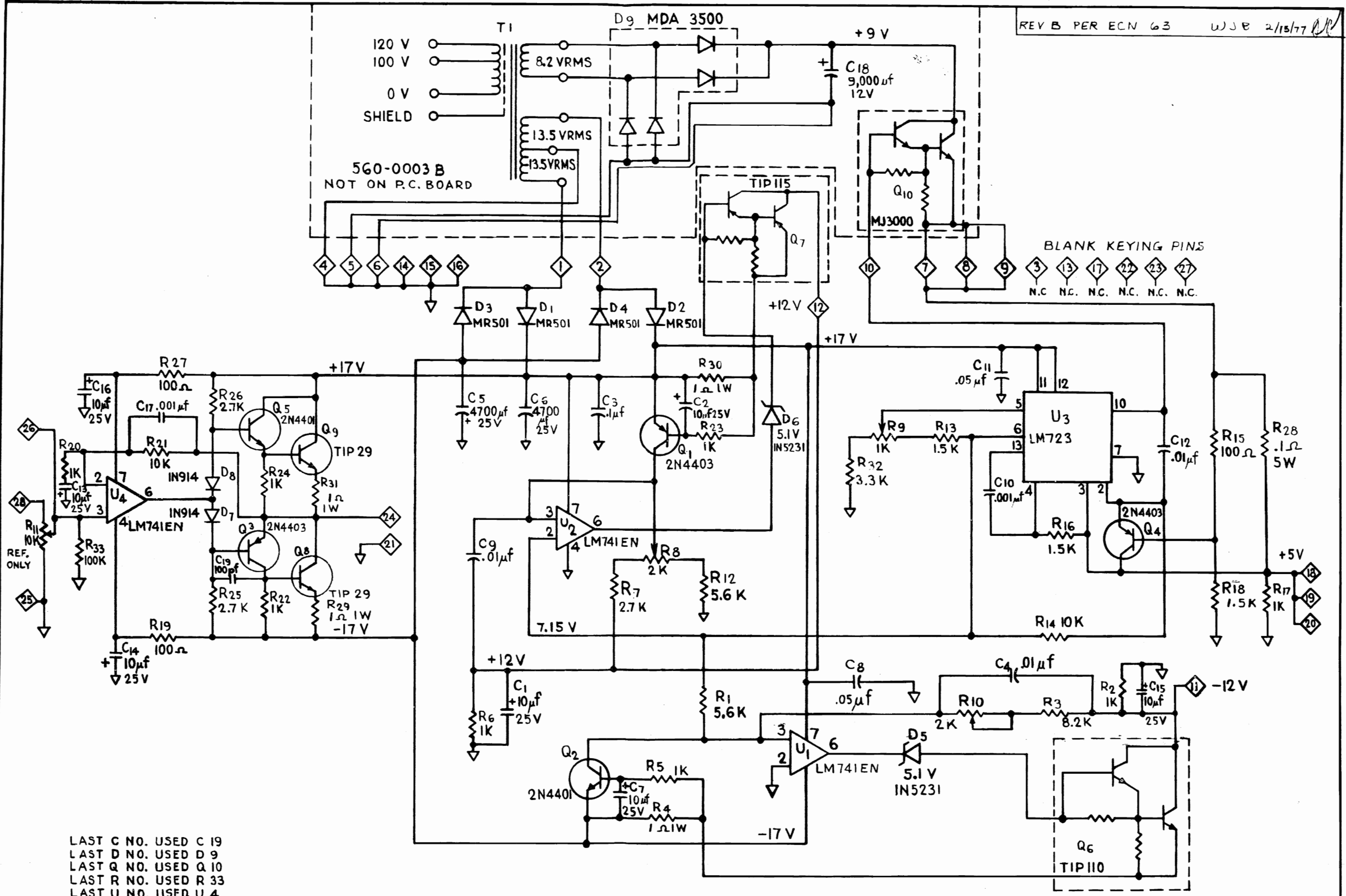
GREMLIN INDUSTRIES INC.
8401 AERO DR. SAN DIEGO, CA. 92123

**POWER INTERRUPT ASSY
PARTS OVERLAY**

SIZE CODE IDENT NO. DRAWING NO.
C 807-0012

SCALE NONE SHEET 1 OF 1

BRIDGE GRAPHICS, INC.
RECORD NO. 2080

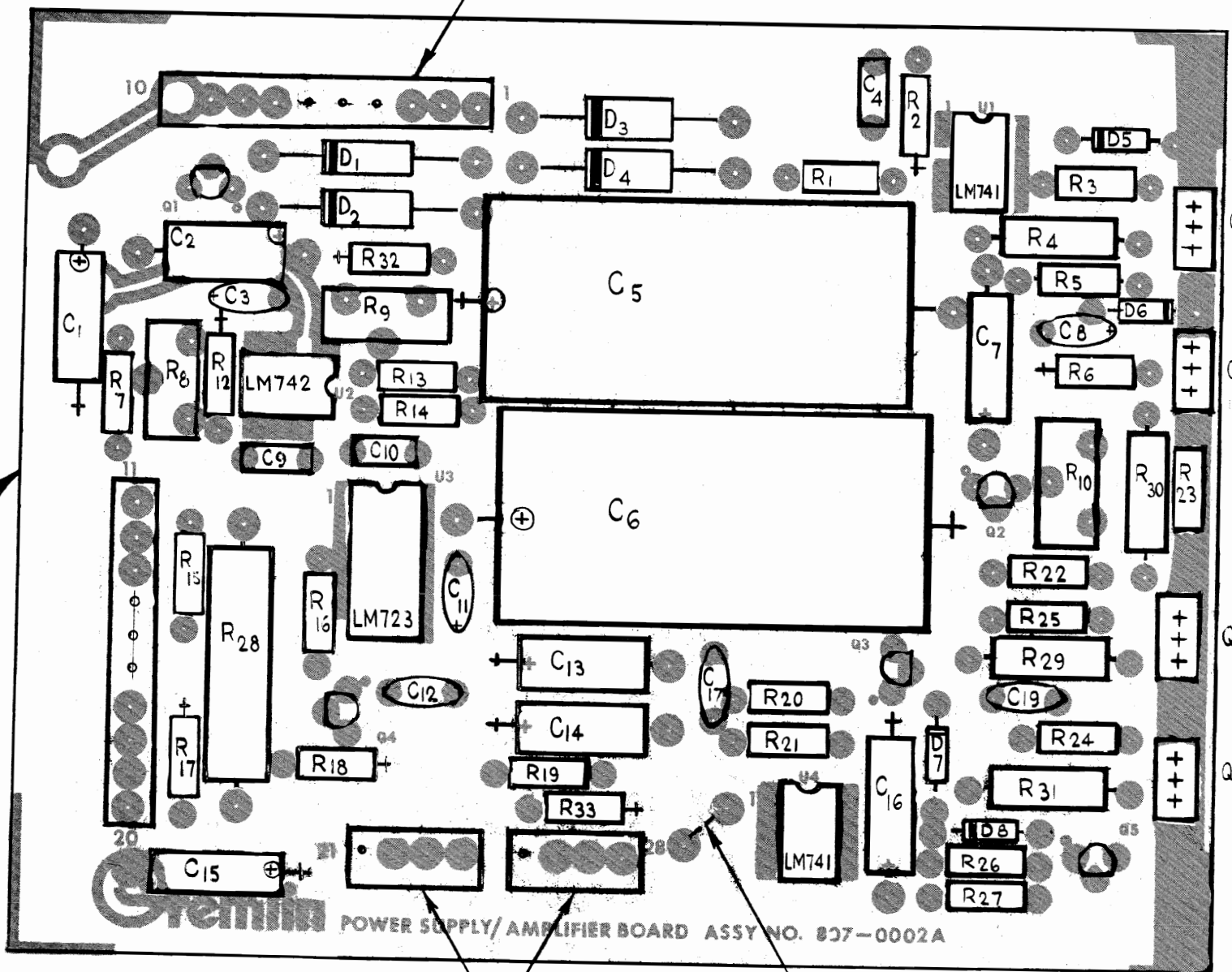


LAST C NO. USED C 19
 LAST D NO. USED D 9
 LAST Q NO. USED Q 10
 LAST R NO. USED R 33
 LAST U NO. USED U 4

GREMLIN INDUSTRIES INC.
 8401 AERO DR. SAN DIEGO, CA. 92123

REVISIONS	TITLE
	SCHMATIC
	HUSTLE PWR. SUPPLY
DRAWN Joe M. CHECKED	SCALE
APPROVED	NONE
	DRAWING NO.
	807-0002B

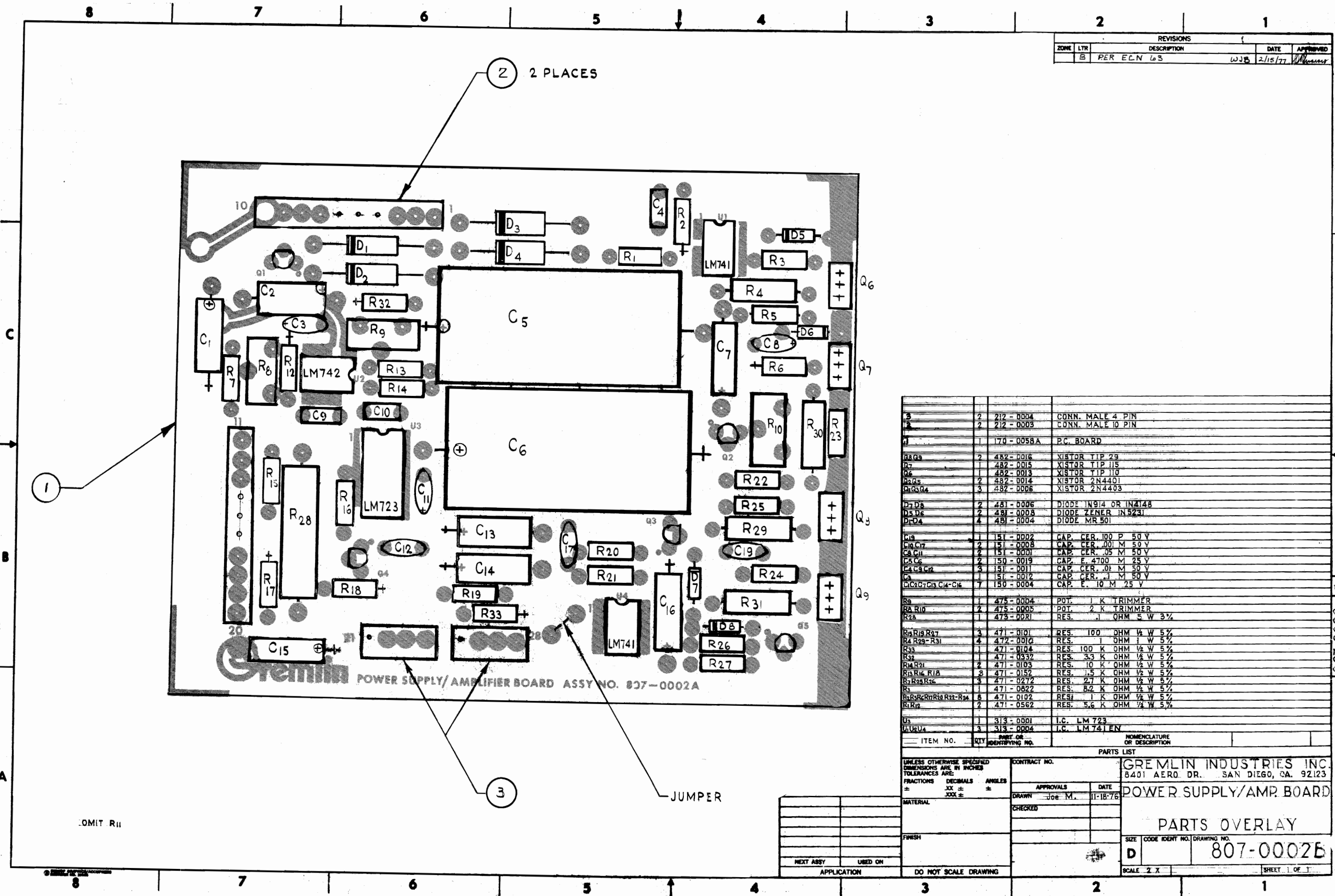
REVISIONS				
ZONE	LTR	DESCRIPTION	DATE	APPROVED
B		PER ECN 63	WJB 2/15/77	<i>[Signature]</i>

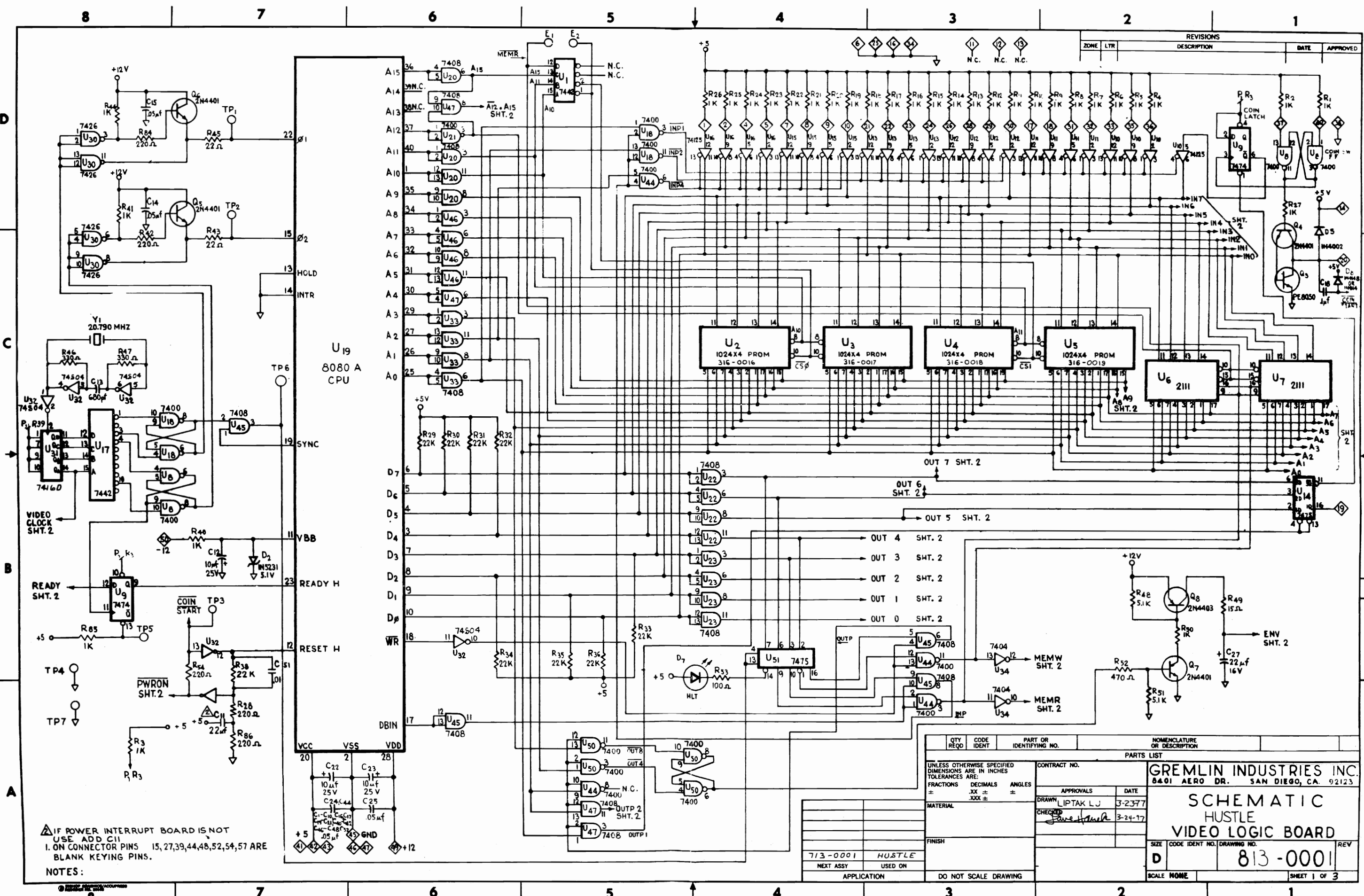


QTY	PART IDENTIFYING NO.	NOMENCLATURE OR DESCRIPTION
2	212-0004	CONN. MALE 4 PIN
2	212-0003	CONN. MALE 10 PIN
1	170-0058A	P.C. BOARD
2	482-0016	XISTOR TIP 29
1	482-0015	XISTOR TIP 115
1	482-0013	XISTOR TIP 110
2	482-0014	XISTOR 2N4401
3	482-0006	XISTOR 2N4403
2	481-0006	DIODE IN914 OR IN4148
2	481-0008	DIODE ZENER IN5231
4	481-0004	DIODE MR 501
1	151-0002	CAP. CER. 100 P 50 V
2	151-0008	CAP. CER. .001 M 50 V
2	151-0001	CAP. CER. .05 M 50 V
2	150-0019	CAP. E. 4700 M 25 V
3	151-0011	CAP. CER. .01 M 50 V
1	151-0012	CAP. CER. .1 M 50 V
7	150-0004	CAP. E. 10 M 25 V
1	475-0004	POT. 1 K TRIMMER
2	475-0005	POT. 2 K TRIMMER
1	473-0021	RES. .1 OHM 5 W 3%
3	471-0101	RES. 100 OHM 1/2 W 5%
4	472-0010	RES. 1 OHM 1 W 5%
1	471-0104	RES. 100 K OHM 1/2 W 5%
1	471-0332	RES. 33 K OHM 1/2 W 5%
2	471-0103	RES. 10 K OHM 1/2 W 5%
3	471-0152	RES. 1.5 K OHM 1/2 W 5%
3	471-0272	RES. 27 K OHM 1/2 W 5%
1	471-0822	RES. 82 K OHM 1/2 W 5%
8	471-0102	RES. 1 K OHM 1/2 W 5%
2	471-0562	RES. 5.6 K OHM 1/2 W 5%
1	313-0001	I.C. LM 723
3	313-0004	I.C. LM 741 EN

UNLESS OTHERWISE SPECIFIED DIMENSIONS ARE IN INCHES TOLERANCES ARE:		CONTRACT NO.		GREMLIN INDUSTRIES INC. 8401 AERO DR. SAN DIEGO, CA. 92123	
FRACTIONS	DECIMALS	ANGLES	APPROVALS	DATE	POWER SUPPLY/AMP. BOARD
±	.XX ±	±	DRAWN Joe M.	11-18-76	
±	.XXX ±	±	CHECKED		
MATERIAL	FINISH	NEXT ASSY USED ON	PARTS OVERLAY		
			SIZE	CODE IDENT NO.	DRAWING NO.
			D		807-0002B
DO NOT SCALE DRAWING			SCALE	SHEET 1 OF 1	

LIMIT R11





REVISIONS				
ZONE	LTR	DESCRIPTION	DATE	APPROVED

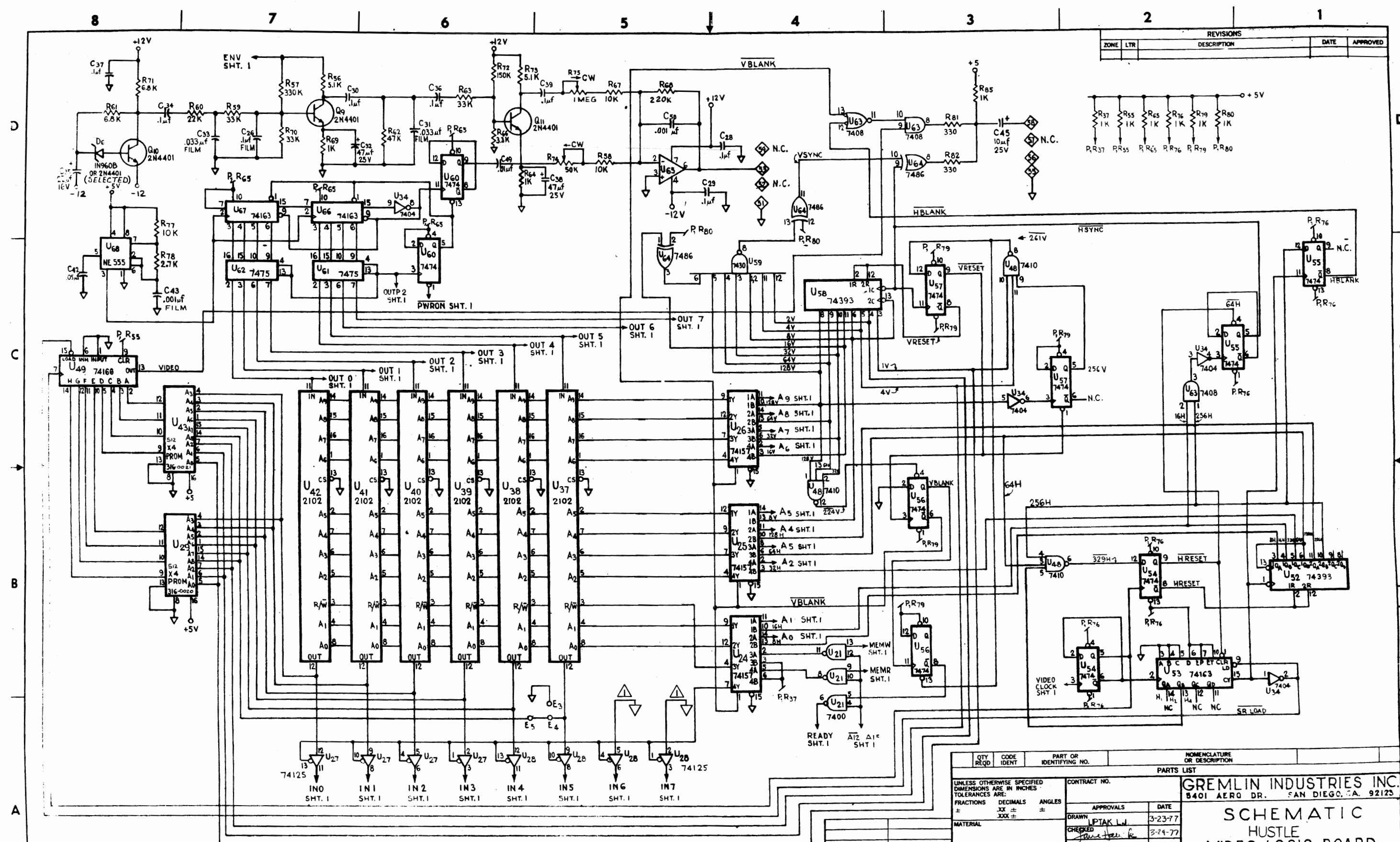
QTY REQD		CODE IDENT	PART OR IDENTIFYING NO.	NOMENCLATURE OR DESCRIPTION
UNLESS OTHERWISE SPECIFIED DIMENSIONS ARE IN INCHES TOLERANCES ARE:				
FRACTIONS	DECIMALS	ANGLES		
±	.XX ±	±		
MATERIAL			CONTRACT NO.	GREMLIN INDUSTRIES INC.
			APPROVALS	8401 AERO DR. SAN DIEGO, CA. 92123
			DATE	3-23-77
			CHECKED	3-24-77
FINISH			SCHEMATIC HUSTLE VIDEO LOGIC BOARD	
			SIZE	CODE IDENT NO. DRAWING NO.
			D	813-0001
			SCALE	NONE
			SHEET 1 OF 3	

IF POWER INTERRUPT BOARD IS NOT USE ADD C11
 1. ON CONNECTOR PINS 15, 27, 39, 44, 48, 52, 54, 57 ARE BLANK KEYING PINS.
 NOTES:

713-0001	HUSTLE
NEXT ASSY	USED ON
APPLICATION	DO NOT SCALE DRAWING

813-0001

REVISIONS				
ZONE	LTR	DESCRIPTION	DATE	APPROVED

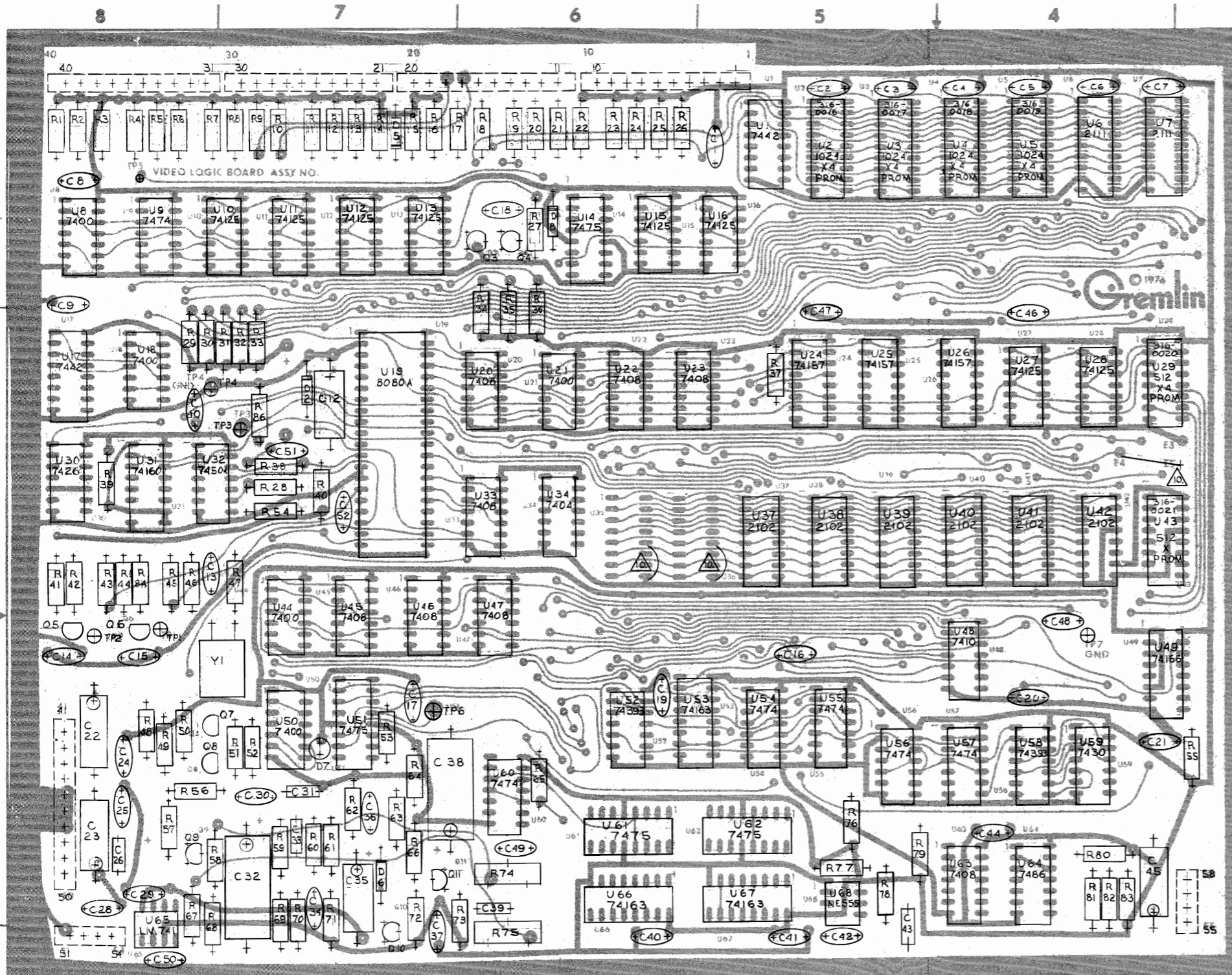


QTY REQD		CODE IDENT	PART OR IDENTIFYING NO.	NOMENCLATURE OR DESCRIPTION
PARTS LIST				
UNLESS OTHERWISE SPECIFIED DIMENSIONS ARE IN INCHES TOLERANCES ARE:		CONTRACT NO.		
FRACTIONS	DECIMALS	ANGLES	GREMLIN INDUSTRIES INC.	
±	±	±	8401 AERO DR. SAN DIEGO, CA. 92123	
MATERIAL		APPROVALS		DATE
FINISH		DRAWN LPTAK L.W.		3-23-77
NEXT ASSY		CHECKED JAMES HELLER		3-24-77
USED ON		SCALE NONE		
APPLICATION		DO NOT SCALE DRAWING		

SCHEMATIC
HUSTLE
VIDEO LOGIC BOARD
 SIZE CODE IDENT NO. DRAWING NO. **813-0001** REV
 SHEET 2 OF 3

NOTES:
 △ JUMPER AT IC PINS 9 TO 12 AT U35, U36

813-0001



ZONE		LTR		REVISIONS		DATE	APPROVED
				DESCRIPTION			

ITEM NO	QTY	PART NO.	NOMENCLATURE OR DESCRIPTION
TI-17	7	211-0004	TEST POINT PINS
Y1	1	230-0006	XTAL 20.790 MHZ CLK
U2-U5 (REF. ONLY)	4	213-0002	SKT. 18 PIN DUAL INLN
J6, J7	2	212-0004	CONN. MALE 4 PIN
J1-J5	5	212-0003	CONN. MALE 10PIN
PCB. 1	1	170-0057 D	P.C. BOARD 5/A LOGIC
Q8	1	482-0002	XISISTOR 2N 1403
Q4-Q7, Q9-Q11	7	482-0014	XISISTOR 2N 4101
Q3	1	482-0010	XI SISTOR PL 8050
D7	1	390-0003	L.E.D. RED
D6	1	481-0003	DIODE ZENER IN960B
D5	1	481-0001	DIODE IN4002
D2	1	481-0008	DIODE ZENER IN5271
D8	1	481-0006	DIODE IN914 OR IN4143
C52	1	151-0001	CAP. CER. .051UF 50V
C50	1	151-0008	CAP. CER. 001UF 50V
C49, C51	2	151-0011	CAP. CER. .01UF 50V
C43	1	152-0007	CAP. F. .001UF 250V
C32, C38	2	150-0012	CAP. E. 47 UF 25V
C31, C33	2	152-0015	CAP. F. .033UF 250V
C28-C30, C34, C36, C37, C39-C42	8	151-0012	CAP. CER. .1UF 50V
C27, C35	2	150-0015	CAP. E. 22UF 16V
C26	1	152-0001	CAP. F. 1UF 100V
C13	1	151-0005	CAP. CER. 680PF 50V
C12, C22, C23, C45	4	150-0004	CAP. E. 10UF 25V
C25, C40-C42, C44, C46-C48	26	151-0001	CAP. CER. 05UF 50V
C1-C10, C14-C17, C19-C21, C24	11	" " " "	" " " "
R75	1	475-0002	POT 1MEG Ω CTS
R74	1	475-0008	POT 50 K CTS
R38	1	471-0222	RES 2.2K 1/2W 5%
R78	1	471-0272	RES 2.7K 1/2W 5%
R62	1	471-0473	RES 47K 1/2W 5%
R72	1	471-0154	RES 150K 1/2W 5%
R68	1	471-0224	RES 220K 1/2W 5%
R61, R71	2	471-0682	RES. 6.8K 1/2W 5%
R59, R63, R66, R70	4	471-0333	RES 33K 1/2W 5%
R57	1	471-0334	RES 330K 1/2W 5%
R53	1	471-0101	RES 100 Ω 1/2W 5%
R52	1	471-0471	RES 470 Ω 1/2W 5%
R49	1	471-0150	RES 15 Ω 1/2W 5%
R48, R51, R56, R73	4	471-0512	RES 51K 1/2W 5%
R46, R47, R81, R82	4	471-0331	RES 330 Ω 1/2W 5%
R43, R45	2	471-0220	RES 22 Ω 1/2W 5%
R29, R36, R60	3	471-0223	RES 22K 1/2W 5%
R42, R23, R84, R54, R86	5	471-0221	RES 22 Ω 1/2W 5%
R58, R67, R77	3	471-0103	RES 10 K 1/2W 5%
R1-R27, R37, R39-R41, R44	42	471-0102	RES 10 K 1/2W 5%
R50, R55, R64, R65, R69	5	" " " "	" " " "
R76, R79, R80, R83, R85	5	" " " "	" " " "
U3	1	316-0017	I.C. 1024X4 PROM
U37-U42	6	315-0015	I.C. 2102 RAM (500NS)
U6, U7	2	315-0018	I.C. 2111 RAM (500NS)
U68	1	314-0001	I.C. TIME NESS5
U65	1	313-0004	I.C. LM 741
U64	1	314-0022	I.C. 7486
U59	1	314-0020	I.C. 7430
U53, U66, U67	3	314-0038	I.C. 74163
U52, U58	2	314-0030	I.C. 74393
U49	1	314-0039	I.C. 74166
U43	1	316-0021	I.C. 512 X4 PROM
U48	1	314-0010	I.C. 7410
U14, U51, U61, U62	4	314-0021	I.C. 7475
U34	1	314-0015	I.C. 7404
U32	1	314-0046	I.C. 74504
U31	1	314-0032	I.C. 74160
U30	1	314-0031	I.C. 7426
U29	1	316-0031	I.C. 512 X4 PROM
U24-U26	3	314-0023	I.C. 74157
U20, U22, U23, U33, U43-U47, U63	8	314-0012	I.C. 7408
U19	1	315-0014	I.C. 8080A CPU
U10-U13, U15, U16, U27, U28	8	314-0017	I.C. 74125
U9, U54, U57, U60	6	314-0006	I.C. 7474
U8, U18, U21, U43, U50	5	314-0008	I.C. 7400
U5	1	316-0019	I.C. 1024 X4 PROM
U4	1	316-0018	I.C. 1024 X4 PROM
U2	1	316-0016	I.C. 1024 X4 PROM
U1, U17	2	314-0011	I.C. 7442

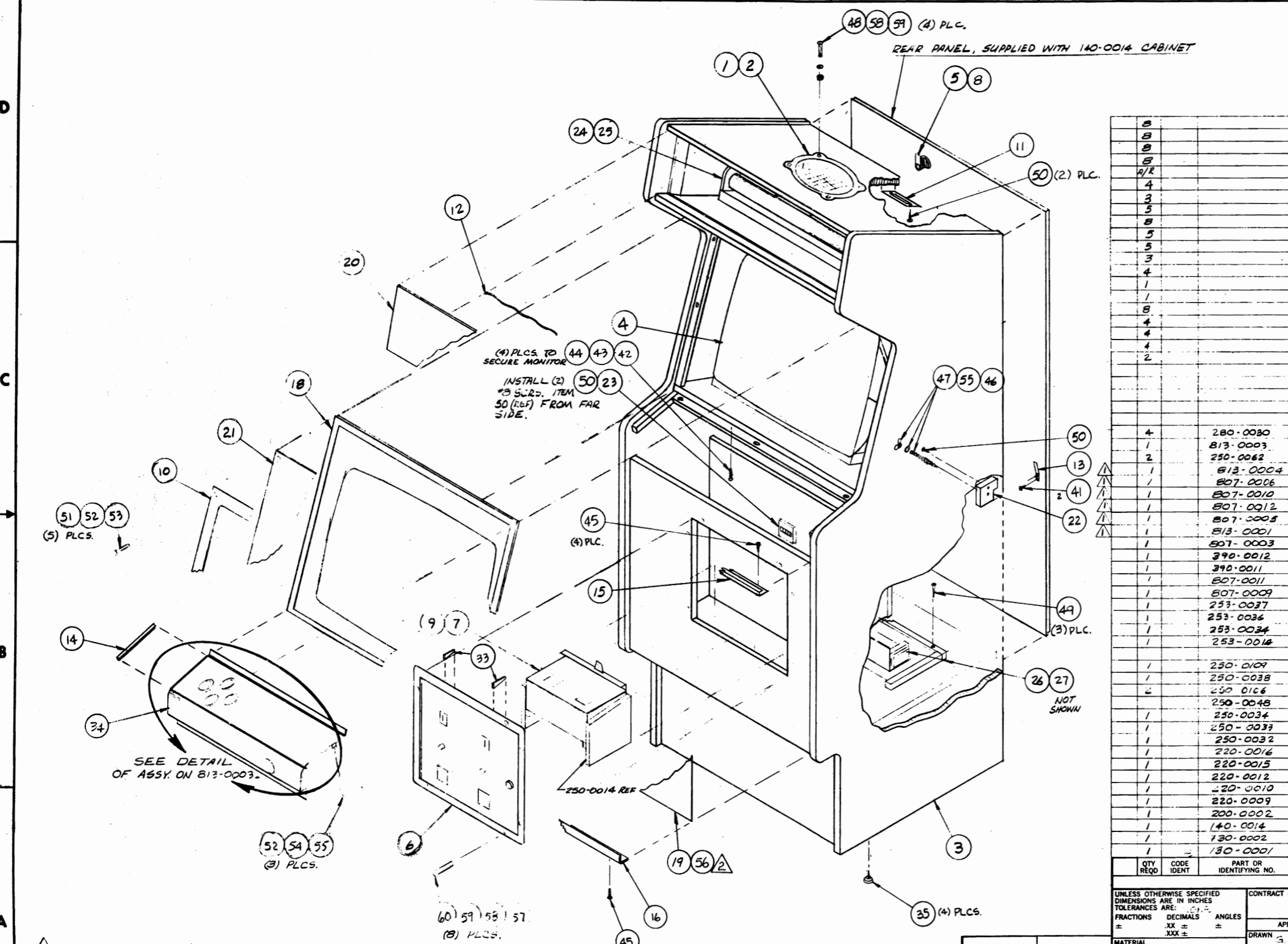
A JUMPER WIRES AT NOTES
 5. CAPACITANCE VALUES ARE IN MICRO FARADS EXCEPT C 13 NOTED AS PICO FARADS
 8. RESISTANCE VALUES ARE IN OHMS (K. = 1000)
 7. ON CONNECTOR PINS 3, 15, 27, 39, 44, 48, 52, 54, 57 ARE BLANK KEYING PINS
 6. OMIT Q1, Q2, D1, D3, D4, U35, U36
 5. LAST C NO. USED C52
 4. LAST D NO. USED D8
 3. LAST Q NO. USED Q11
 2. LAST R NO. USED R86
 1. LAST U NO. USED U68
 NOTES:

PARTS LIST		APPROVALS		DATE	
MATERIAL		DRAWN	WPTAK L T	4/1/77	
FINISH		CHECKED	WPTAK L T	4/1/77	
NEXT ASSY	USED ON	SCALE 2X1			
APPLICATION	DO NOT SCALE DRAWING	SHEET 3 OF 3			

Gremlin Industries, Inc.
 San Diego, California 92123
VIDEO LOGIC BOARD
HUSTLE
PARTS OVERLAY
 SIZE CODE IDENT NO. DRAWING NO. REV
D 813-0001

8 7 6 5 4 3 2 1

REVISIONS				
ZONE	LTR	DESCRIPTION	DATE	APPROVED
B		INITIAL RELEASE ECN 106	4-14-77	V. Olson
C		ITEM 15 IS 250-0038 WAS 250-0108	4-25-77	V. Olson
D		PER ECN 116	5-9-77	MJ



QTY REQD	CODE IDENT	PART OR IDENTIFYING NO.	NOMENCLATURE OR DESCRIPTION	SHEET	OF
40		B-32 BOLT RD. HD. CARRIAGE 1/4" LG.			
59		B-32 HEX NUT			
58		*B FLAT WASHER			
57		*B LOCK WASHER			
56		3M ADHESIVE *XE-4693			
55		*10 LOCK WASHER			
54		10-32 HEX NUT			
53		10-24 BOLT RD. HD. CARRIAGE 1 3/8" LG.			
52		*10 FLAT WASHER			
51		10-24 HEX NUT			
50		*B RD. HD. CR. REC. SMT. MTL. SCR. 1/2" LG.			
49		*B FLT. HD. CR. REC. WOOD SCR. 1 1/4" LG.			
48		B-32 SLOT OVAL HD. MACH. SCR. 1 1/2" LG.			
47		10-24 HANGER BOLT 2 1/2" LG.			
46		10-24 WING NUT			
45		*4 RD. HD. CR. REC. WOOD SCR. 1/2" LG.			
44		*B SELF TAP SMT. MTL. SCR. HEX HD. 1 1/4" LG.			
43		*B INT.-EXT. TOOTH LOCK WASHER			
42		*B CLIP NUT			
41		*6 RD. HD. CR. REC. SMT. MTL. SCR. 1/2" LG.			
40					
39					
38					
37					
36					
35					
34		280-0080 CABINET FEET			
33		813-0003 OPERATOR PANEL ASSY		SHEET 1	OF 3
32		250-0062 COIN RETENTION PLATE			
31		813-0004 ASSY. CONTROL BLOCK		SHEET 2	OF 3
30		807-0006 ASSY. JUMPER HARNESS		SHEET 2	OF 3
29		807-0010 ASSY. SPEAKER CABLE		SHEET 2	OF 3
28		807-0012 ASSY. POWER INTERRUPT		SHEET 2	OF 3
27		807-0005 ASSY. MONITOR HARNESS		SHEET 2	OF 3
26		813-0001 VIDIO LOGIC BD ASSY		SHEET 2	OF 3
25		807-0003 ASSY. POWER SUPPLY		SHEET 1	OF 3
24		390-0012 LAMP, FIXTURE, FLUOR, 18"		SHEET 1	OF 3
23		390-0011 LAMP, FLUORESCENT, 18"			
22		807-0011 COIN COUNTER ASSY		SHEET 1	OF 3
21		807-0009 ASSY. JUNCTION BOX		SHEET 1	OF 3
20		253-0037 PANEL, MONITOR SCREEN			
19		253-0036 PANEL DISPLAY UPPER			
18		253-0034 PANEL, GRAPHIC FRONT			
17		253-0016 MASK, SHADOW CABINET			
16		250-0109 MOLDING-TRIM LOWER			
15		250-0038 MOLDING-TRIM UPPER			
14		250-0106 TRIM CONTROL PANEL			
13		250-0048 CLIP, SWITCH			
12		250-0034 RETAINER SPRING			
11		250-0033 PLATE LOCK STRIKE			
10		250-0032 BEZEL, FRAME			
9		220-0016 COIN BOX LID ASSY			
8		220-0015 LATCH, LOCK B/A			
7		220-0012 CASHBOX, UPRIGHT			
6		220-0010 DUAL COIN MECHANISM		SHEET 1	OF 3
5		220-0009 LOCK, PANEL			
4		200-0002 VIDEO, MONITOR 19 IN.		SHEET 1	OF 3
3		140-0014 CABINET, B/A			
2		130-0002 SPEAKER, COVER 6x9			
1		130-0001 SPEAKER, GAME 6x9		SHEET 1	OF 3

2 USE 3M ADHESIVE *XE-4693 TO CEMENT FRONT GRAPHIC PANEL (ITEM 19) TO CABINET ITEM (3)

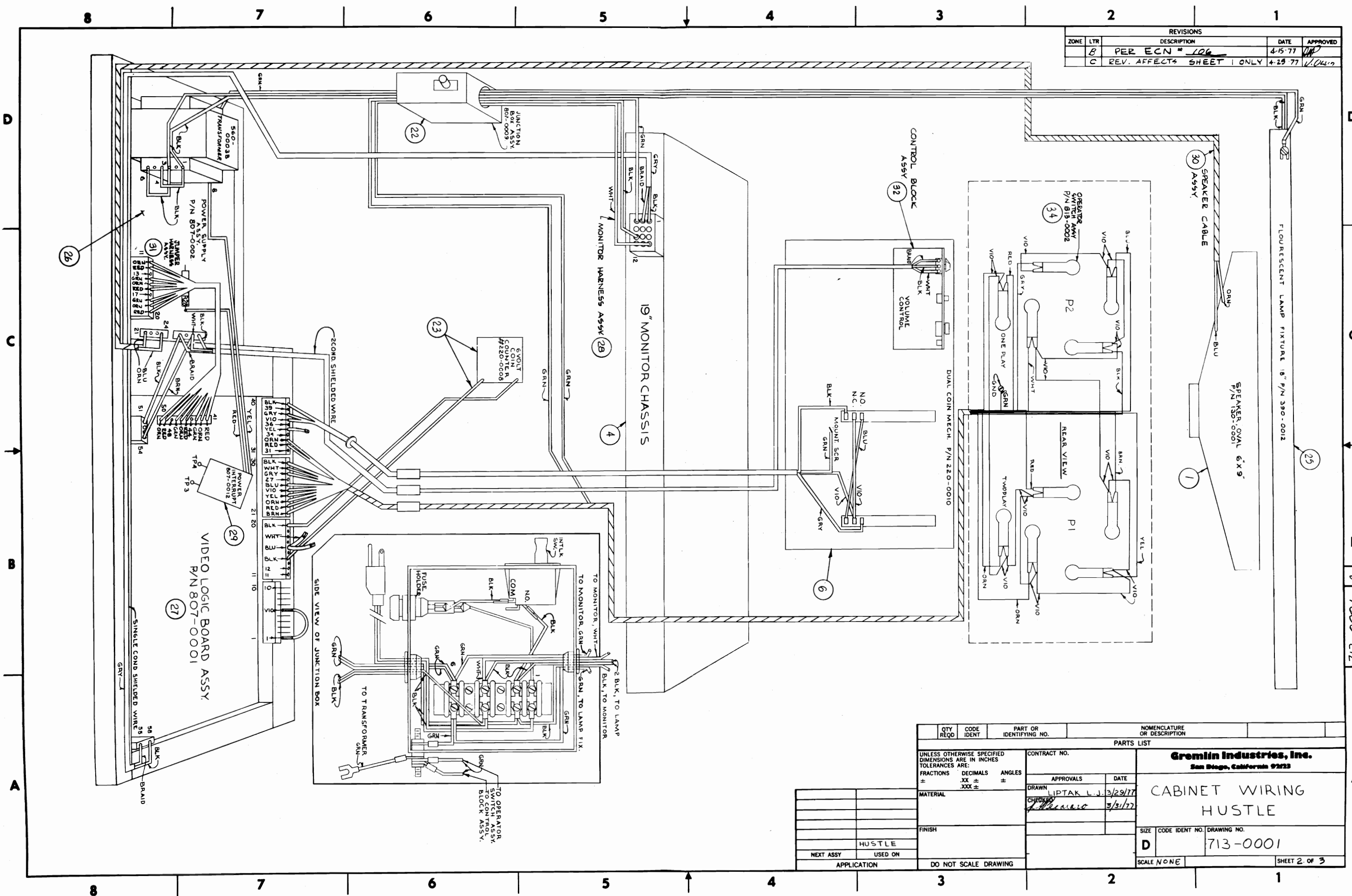
1. NOT SHOWN ON BODY OF DRAWING. SEE SHEET 2 OF 3 OF THIS DWG.

NOTES:

UNLESS OTHERWISE SPECIFIED DIMENSIONS ARE IN INCHES. TOLERANCES ARE:		CONTRACT NO.		Gremlin Industries, Inc. San Diego, California 92123	
FRACTIONS	DECIMALS	ANGLES	APPROVALS	DATE	TOP ASSY. HUSTLE
±	.XX ±	±	DRAWN G. SW. TH	4-12-77	
	.XXX ±		CHECKED V. Olson	4-12-77	SIZE CODE IDENT NO. DRAWING NO. REV
MATERIAL		FINISH		D 713-0001 D	
NEXT ASSY		USED ON		SCALE NONE SHEET 1 OF 4	
DO NOT SCALE DRAWING					

8 7 6 5 4 3 2 1

REVISIONS				
ZONE	LTR	DESCRIPTION	DATE	APPROVED
B		PER ECN # 106	4-15-77	
C		REV. AFFECTS SHEET 1 ONLY	4-25-77	V. Olson

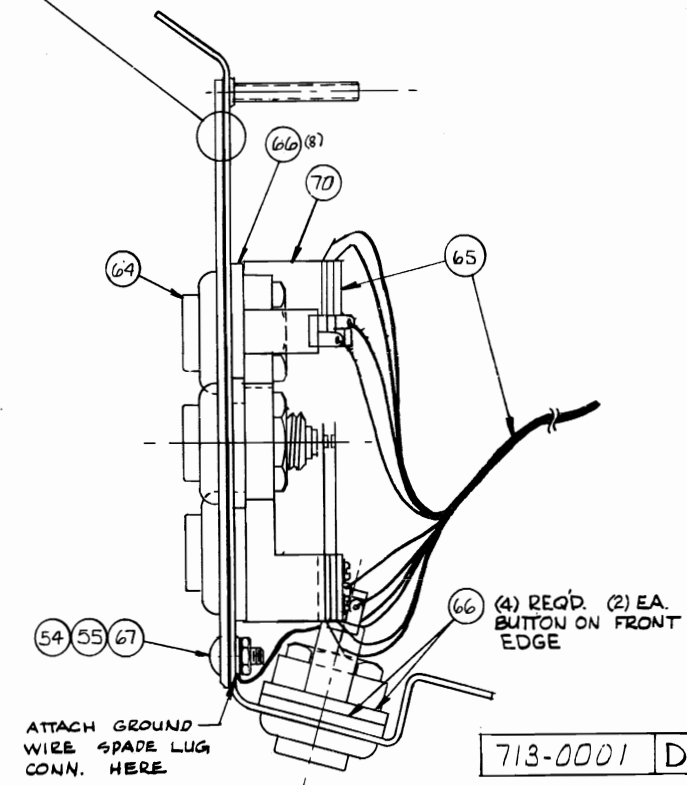
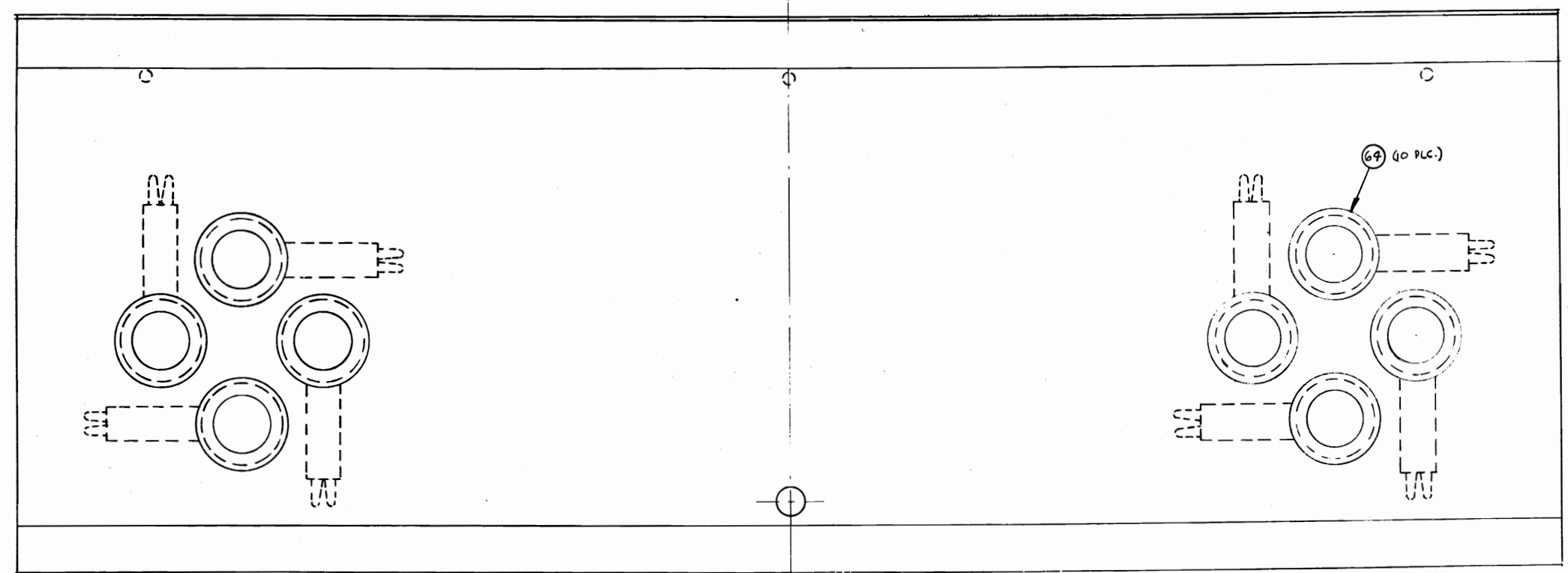
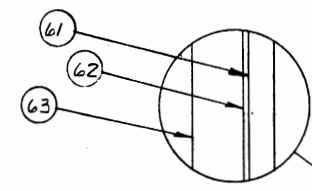


713-0001 A B C D

QTY REQD	CODE IDENT	PART OR IDENTIFYING NO.	NOMENCLATURE OR DESCRIPTION
PARTS LIST			
UNLESS OTHERWISE SPECIFIED DIMENSIONS ARE IN INCHES TOLERANCES ARE:		CONTRACT NO.	
FRACTIONS	DECIMALS	ANGLES	APPROVALS
±	.XX ±	±	DATE
	.XXX ±		
MATERIAL		DRAWN LIPTAK L.J. 3/29/77	
FINISH		CHECKED [Signature] 3/31/77	
NEXT ASSY USED ON		HUSTLE	
APPLICATION		DO NOT SCALE DRAWING	
Gremlin Industries, Inc. San Diego, California 92123		CABINET WIRING HUSTLE	
SIZE	CODE IDENT NO.	DRAWING NO.	
D		713-0001	
SCALE NONE		SHEET 2 OF 3	

8 7 6 5 4 3 2 1

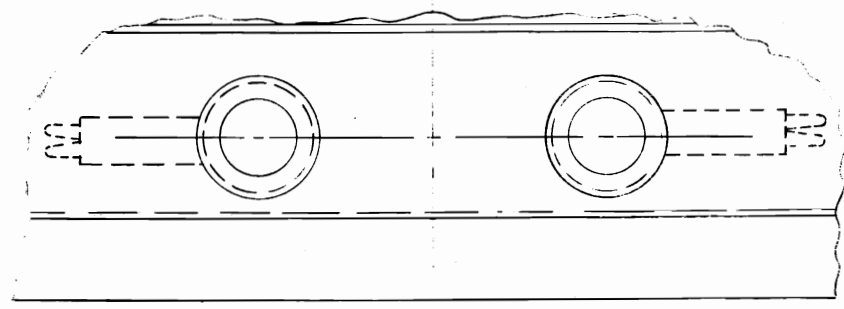
REVISIONS				
ZONE	LTR	DESCRIPTION	DATE	APPROVED
	NC	INITIAL RELEASE	5-29-77	VJ/S/19
3-A	A	PER ECN # 104	6-18-77	VJ/S/19
	D	PER ECN # 116	5-9-77	WJB



713-0001 D

PLAYER 2 (REF.)

PLAYER 1 (REF.)



ONE PLAY (REF.) TWO PLAY (REF.)

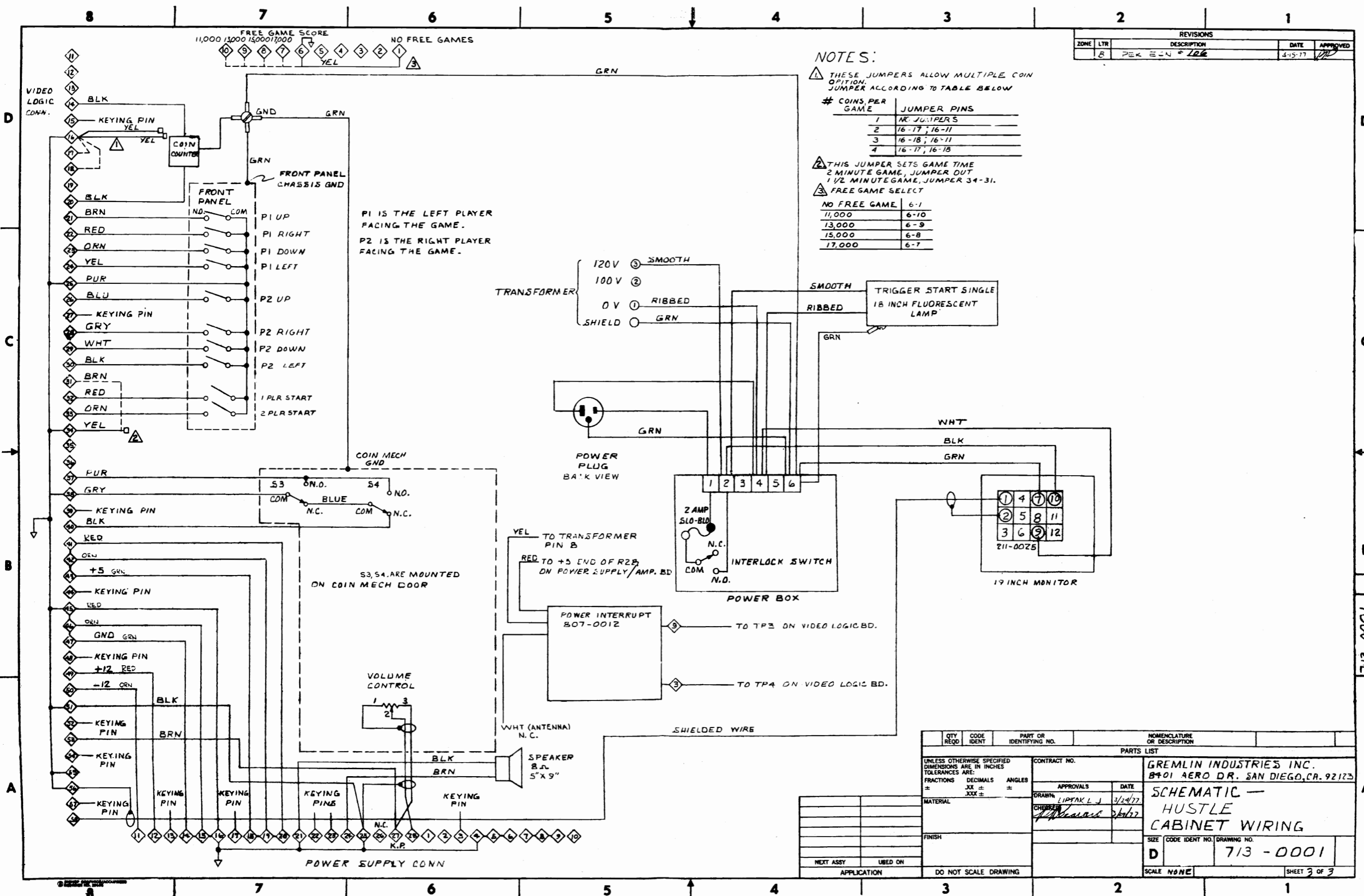
& REF.

OPERATOR PANEL ASSEMBLY DETAIL

QTY	CODE	PART OR IDENTIFYING NO.	NOMENCLATURE OR DESCRIPTION	
	10	280-0039	PLATE SWITCH MT.	70
				69
				68
1			BOLT, RD.HD. 10-32 1/2" LG CARRIAGE	67
12	253-0031		SPACER, WICO SWITCH	66
1	813-0002		OPERATOR SWITCH ASSY.	65
10	240-0008		BUTTON, PLUNGER ASSY.	64
			WICO	63
1	253-0030		COVER, GRAPHIC PANEL	62
1	253-0027		GRAPHIC PANEL, OPERATOR	61
1	250-0102		PANEL, OPERATOR	

UNLESS OTHERWISE SPECIFIED DIMENSIONS ARE IN INCHES TOLERANCES ARE: NONE FRACTIONS DECIMALS ANGLES ± .XX ± .XXX ± .001		CONTRACT NO.		APPROVALS		DATE	OPERATOR PANEL ASSY.
MATERIAL		DRAWN G. SMITH		CHECKED W. Upton		3/29/77	
FINISH		SCALE NONE		SIZE CODE IDENT NO. DRAWING NO.		REV	
713-0001 HUSTLE		DO NOT SCALE DRAWING		D 713-0001		D	
NEXT ASSY USED ON		APPLICATION		SCALE NONE		SHEET 2 OF 4	

8 7 6 5 4 3 2 1



REVISIONS				
ZONE	LTR	DESCRIPTION	DATE	APPROVED
1	B	PER ECU # 126	4-15-77	[Signature]

NOTES:
 ⚠ THESE JUMPERS ALLOW MULTIPLE COIN OPTION. JUMPER ACCORDING TO TABLE BELOW

# COINS PER GAME	JUMPER PINS
1	NO JUMPERS
2	16-17; 16-11
3	16-18; 16-11
4	16-17; 16-18

⚠ THIS JUMPER SETS GAME TIME
 2 MINUTE GAME, JUMPER OUT
 1 1/2 MINUTE GAME, JUMPER 34-31.

⚠ FREE GAME SELECT

NO FREE GAME	JUMPER
11,000	6-10
13,000	6-9
15,000	6-8
17,000	6-7

P1 IS THE LEFT PLAYER FACING THE GAME.
 P2 IS THE RIGHT PLAYER FACING THE GAME.

S3, S4 ARE MOUNTED ON COIN MECH DOOR

QTY REQD	CODE IDENT	PART OR IDENTIFYING NO.	NOMENCLATURE OR DESCRIPTION
PARTS LIST			
UNLESS OTHERWISE SPECIFIED DIMENSIONS ARE IN INCHES TOLERANCES ARE:			
FRACTIONS	DECIMALS	ANGLES	
±	.XX ±	±	
	.XXX ±		
MATERIAL		CONTRACT NO.	
FINISH		APPROVALS	
NEXT ASSY		DATE	
USED ON		DRAWN: LIPTAK L J 3/24/77	
APPLICATION		CHECKED: [Signature] 2/6/77	
DO NOT SCALE DRAWING		GREMLIN INDUSTRIES INC. 8701 AERO DR. SAN DIEGO, CA. 92123	
		SCHEMATIC - HUSTLE CABINET WIRING	
		SIZE: CODE IDENT NO. DRAWING NO. D 713-0001	
		SCALE: NONE SHEET 3 OF 3	

713-0001