

INSTALLATION AND SERVICE MANUAL



DE DATA EAST USA, INC.
470 Needles Drive
San Jose, California 95112
Telephone (408) 286-7080

FCC WARNING

This equipment generates and uses radio frequency energy and if not installed and used properly, ie; in strict accordance with this instructions manual, may cause harmful interference to radio communications. This equipment has been tested and found to comply with the limits for a Class A computing device pursuant to Subpart J of Part 15 of the FCC rules, which are designed to provide reasonable protection against such interference when the equipment is operated in a commercial environment.

Operation of this equipment in a residential environment is likely to cause interference in which case the user, at his own expense, will be required to take whatever measures are necessary to correct the interference.

FBI WARNING

Federal law provides severe civil and criminal penalties for the unauthorized reproduction, distribution, or exhibition of copyrighted audio-visual works and video games. The Federal Bureau of Investigation investigates allegations of criminal copyright infringement.

COPYRIGHT NOTICE

ROBOCOP™ is Copyright 1988 Data East Corporation, sold exclusively in the United States of America and Canada by Data East USA, Inc. All rights reserved.

ENVIRONMENTAL DATA

This product is intended for use indoor use only, power requirements are 105-125 volts AC, 50-60 hz, and requires a 3 wire grounded outlet.

SERVICE PROCEDURES

To obtain replacement parts and technical service, contact the authorized Data East Distributor in your area. If you require referral or further technical assistance, you may contact Data East's Customer Service department during the hours of 8:00 am to 5:00 pm Pacific Time at (408) 286-7074.

AAMA WARNING

DATA EAST USA, INC., in cooperation with the American Amusement Machine Association, has installed an "AAMA PROTECT" certification label on each ROBOCOP PCB manufactured for legal sale in the United States of America.

If you are offered a ROBOCOP PCB that does not have the "AAMA PROTECT" certification label, you should suspect that the board is not legal, and should contact DATA EAST USA, INC., at (408) 286-7074, or Bob Fay of the AAMA at (703) 548-8044.

ROBOCOP™

UPRIGHT MODEL NUMBER 1US37
SERVICE & OPERATION MANUAL

TABLE OF CONTENTS

1.	GENERAL INFORMATION	
A.	Installation and Set-Up.....	1
B.	System Adjustments.....	2
2.	GAME INFORMATION	
A.	Game Options.....	3
B.	Wiring Diagram.....	4
3.	REPLACEMENT PARTS LIST	
25"	Upright.....	5
19"	Upright.....	6
4.	CUSTOMER REPLY CARD.....	7

C 1988 DATA EAST USA, INC.
 470 NEEDLES DRIVE
 SAN JOSE, CA 95112
 (408) 286-7074

780-0110-00

1. GENERAL INFORMATION

A. Installation and Set-Up

Locate the door keys supplied and remove the Rear Access Door.

Check the Main Harness for loose or unplugged connectors, and check for secure mounting of the monitor, power supply, and game pcb. Stabilize the cabinet using the leg levelers in the floor of the cabinet to prevent the game from rocking.

The selectable options have been pre-set at the factory for optimum player appeal; however, please refer to Chapter 2, Section A, Dip Switch Options, in this manual to set the game up for special requirements.

Remove the power cord from the inside of the cabinet and insert the strain relief plate into the slot at the bottom of the rear access door opening. Plug the AC cord into a grounded 117 VAC outlet and flip the power switch to the ON position. Allow 2 to 3 minutes for the monitor to warm up and check for proper demonstration mode video on the screen. Insert the proper coinage into a coin slot and start a game. Check for proper operation of all joystick controls and switches.

Complete the Customer Reply Card in the rear of this manual to receive a copy of the ROBOCOP™ Technical Support Manual. Please indicate if you would like to receive periodic mailings of technical information, updates, etc.

B. System Adjustments

The Volume Control, Coin Counter, and Service Switch are located on the Service Panel. The Service Panel is located inside the Coin Door, mounted on the wall of the cabinet on the left side.

The Coin Counter increments once for every coin dropped through either coin entry slot.

The Volume Control is used to adjust the overall loudness of the game sounds. NOTE: The volume control potentiometer on the Main pcb is pre-set to mid-range at the factory and should not be adjusted.

The Service Switch can be used to add credits to the game without incrementing the Coin Counter.

The fuses for the AC power line and the 12 volts for the Coin Door lamps are located on the Power Supply assembly. The fuse holders are labeled as to the proper fuse ratings.

The 5+ vdc adjustment level control on the Power Supply's Switching Regulator is pre-set at the factory. In the event that an adjustment is required, measure the 5+ volt level present at the game logic pcb with a Digital Multi-Meter while adjusting the output level of the Switching Regulator. The voltage must measure between +4.90 vdc to 5.10 vdc at the game logic pcb for proper operation.

WARNING: DANGEROUS VOLTAGE LEVELS ARE PRESENT IN AND AROUND THE MONITOR AND POWER SUPPLY ASSEMBLY. ADJUSTMENTS AND REPAIRS SHOULD BE ATTEMPTED ONLY BY QUALIFIED ELECTRONIC TECHNICIANS.

2. GAME INFORMATION

A. OPERATOR SELECTABLE OPTIONS

The ROBOCOP™ game allows for operator adjustable pricing, bonus lives, difficulty, etc. These are accessed by the two 8 position dipswitches located on the main logic pcb. Tables 1 and 2 outline the available options.

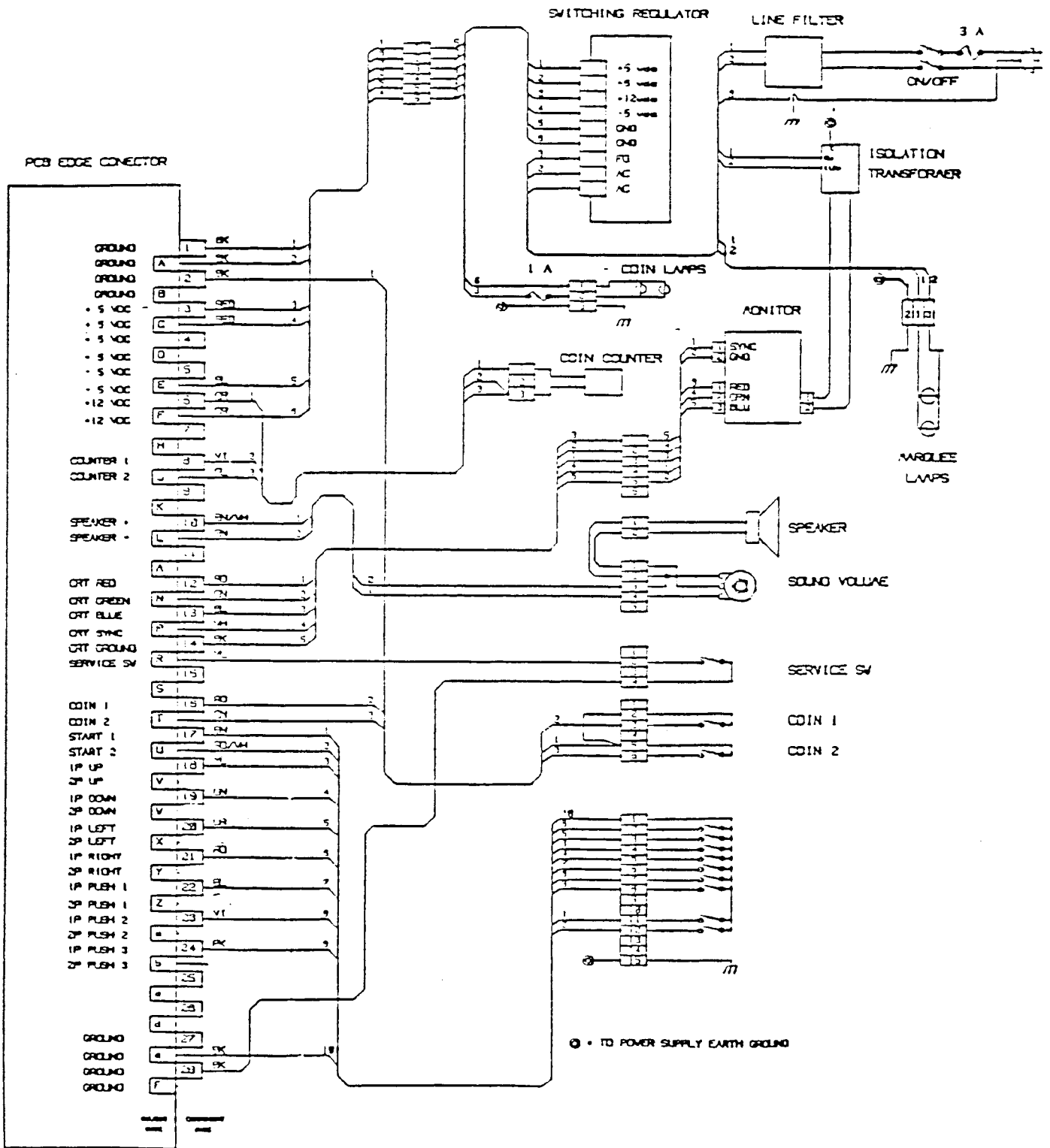
TABLE 1 - DIPSWITCH 1

		1	2	3	4	5	6	7	8
Game Charge (right) COIN 1	1 Coin = 1 Credit:	OFF	OFF						
	1 Coin = 2 Credit:	ON	OFF			A			
	1 Coin = 3 Credit:	OFF	ON			L			
	2 Coin = 1 Credit:	ON	ON			W			
Game Charge (left) COIN 2	1 Coin = 1 Credit:			OFF	OFF	A			
	1 Coin = 2 Credit:			ON	OFF	Y			
	1 Coin = 3 Credit:			OFF	ON	S			
	2 Coin = 1 Credit:			ON	ON				
Attract mode sound?	YES:						OFF		
	NO:					O	ON		
Flip Screen?	NORMAL:					F		ON	
	REVERSE:					F		OFF	
Cocktail Table: Upright game:									OFF
									ON

TABLE 2 - DIPSWITCH 2

		1	2	3	4	5	6	7	8
Player's energy	med:	OFF	OFF						
	high:	ON	OFF					A	A
	low:	OFF	ON					L	L
	very high:	ON	ON					W	W
Game Difficulty	Normal:			OFF	OFF			A	A
	Easy:			ON	OFF			Y	Y
	Hard:			OFF	ON			S	S
	Hardest:			ON	ON				
Continue Mode ?	Yes:					OFF		O	O
	No:					ON		F	F
Player's energy in the bonus stage	High:						OFF	F	F
	Low:						ON		

B. Wiring Diagram



DATA EAST USA, INC.
 470 Needles Dr., San Jose, Ca. 95112
 LIST OF MATERIALS

ITEM	PART NUMBER	REV	QTY	U/M	DESCRIPTION	REMARKS
01	031-0005-00		1	ea	Speaker, 5" delux	Vendor Inst.
02	036-0026-01	A	1	ea	Harness, Marquee Lamp	
03	036-0027-00		1	ea	Harness, RGB	
04	036-0033-00		1	ea	Harness, Speaker	
05	036-0159-01		1	ea	Hrns, Main, JAMMA Std. 1P Upr	
06	036-0161-00		1	ea	Hrns, Marquee lamp ext.	
07	036-0162-00		1	ea	Hrns, Speaker extention	
08	036-0163-00		1	ea	Hrns, Monitor Power Ext.	
09	036-0166-00		1	ea	Hrns, Coin Door Ground	
10	040-0003-00		6	ea	Tywrap, 4"	
11	040-0009-01		7	ea	Clamp, cable, stickdown	
12	055-0015-00		2	ea	Wire Nut	
13	055-0016-00		1	ea	Ground Clip	
14	165-0004-01		2	ea	Lamp, Incandescent, 40 W	
15	170-0002-00		1	ea	Dual Lampholder Assy	Vendor Inst.
16	232-0002-04		4	ea	Screw, Pan, #8 X 1 1/4 SMS	
17	232-0003-01		4	ea	Screw, Pan, Phil, SMS #6 X 3/4	
18	232-0004-03		6	ea	Screw, Pan, #10 X 1" SMS	
19	233-0001-03		2	ea	Screw, FH Phil SMS #8 X 1 1/4	
20	237-0008-00		12	ea	Screw, Wshr hd, blk #8 X 5/8 SMS	
21	238-0012-00		1	ea	Nut, Pal	Vendor Instl.
22	242-0012-00		6	ea	Washer, Fender, #10	
23	365-0014-00		1	ea	Cabinet Assy, Wide Body	gray (30 deg)
24	380-0005-00		1	ea	Bezel, Monitor, black	Wide
25	406-0002-00		1	ea	Label, "FBI WARNING"	
26	406-0003-00		1	ea	Label, "FCC WARNING"	
27	406-0004-00		1	ea	Label, Serial Number	
28	406-0154-00		1	ea	Label, Box ID, ROBOCOP	
29	510-0002-03		1	ea	Power Supply Assy	5v-11a,12-1a
30	510-0004-00		1	ea	Coin Door Assy, 2 slot	
31	510-0137-00		1	ea	Monitor, Horiz, 25 inch	Wells
32	510-0142-00		1	ea	PCB Set, ROBOCOP	
33	510-0146-00		1	ea	Ctrl Pnl Assy, ROBOCOP 25"	
34	515-0029-02		1	ea	Panel Assy, Service	
35	515-0030-00		1	ea	Assy, On/Off sw panel	Vendor Inst.
36	535-0087-00		1	ea	Retainer, Plex, Marquee	
37	660-0001-06		1	ea	Plex, Clear, 27.0 X 27.0	
38	705-0067-00		1	ea	Shipping Container Set	Wide Body
39	780-0110-00		1	ea	Manual, Svc & Op ROBOCOP	
40	810-0036-00		1	ea	Underlay, Mon., ROBOCOP	Wide
41	820-0046-00		2	ea	Decal, Side, ROBOCOP	
42	830-0041-03		1	ea	Plex, Marquee, ROBOCOP	26 1/16" W

end

Released: 10-12-88
 Revision A: 10-26-88

approved

500-0032-00 Upright Game, ROBOCOP 19" 1US37
 Part Number Description

Pg 01 of 01 Pgs
 500-0032-00
 Revision A

DATA EAST USA, INC.
 470 Needles Dr., San Jose, Ca. 95112

LIST OF MATERIALS

ITEM	PART NUMBER	REV	QTY	U/M	DESCRIPTION	REMARKS
01	031-0005-00		1	ea	Speaker, 5" delux	Vendor Instl.
02	036-0026-01	A	1	ea	Harness, Marquee Lamp	
03	036-0027-00		1	ea	Harness, RGB	
04	036-0033-00		1	ea	Harness, Speaker	
05	036-0159-01		1	ea	Hrns, Main, JAMMA Std. 1P Upr	
06	036-0166-00		1	ea	Hrns, Coin Door Ground	
07	040-0003-00		6	ea	Tywrap, 4"	
08	040-0009-01		7	ea	Clamp, cable, stickdown	
09	055-0015-00		2	ea	Wire Nut	
10	055-0016-00		1	ea	Ground Clip	
11	165-0004-01		2	ea	Lamp, Incandescent, 40 W	
12	170-0002-00		1	ea	Dual Lampholder Assy	Vendor Instl.
13	232-0002-04		4	ea	Screw, Pan, #8 X 1 1/4 SMS	
14	232-0003-01		4	ea	Screw, Pan Phil SMS #6 X 3/4	
15	232-0004-03		6	ea	Screw, Pan, #10 X 1" SMS	
16	233-0001-03		2	ea	Screw, FH Phil SMS #8 X 1 1/4	
17	237-0008-00		8	ea	Screw, Wshr hd, blk #8 X 5/8 SMS	
18	238-0012-00		1	ea	Nut, Pal	Vendor Instl.
19	239-0006-00		4	ea	Nut, KEP, 1/4 - 20	
20	242-0003-00		4	ea	Washer, Flat, #12	
21	242-0012-00		6	ea	Washer, Fender, #10	
22	365-0013-00		1	ea	Cabinet Assy, 1US34-style	gray (45 deg)
23	380-0002-00		1	ea	Bezel, Monitor, black	
24	406-0002-00		1	ea	Label, "FBI WARNING"	
25	406-0003-00		1	ea	Label, "FCC WARNING"	
26	406-0004-00		1	ea	Label, Serial Number	
27	406-0154-00		1	ea	Label, Box ID, ROBOCOP	
28	510-0002-03		1	ea	Power Supply Assy	5v-11a, 12v-1a
29	510-0004-00		1	ea	Coin Door Assy, 2 slot	
30	510-0065-00		1	ea	Monitor, Universal H/V	Wells
31	510-0142-00		1	ea	PCB Set, ROBOCOP	
32	510-0145-00		1	ea	Ctrl Pnl Assy, ROBOCOP	
33	515-0029-02		1	ea	Panel Assy, Service	
34	515-0030-00		1	ea	Assy, ON/OFF Sw Pnl	Vendor Instl.
35	535-0078-00		2	ea	Retainer, Plex, Marquee	
36	660-0001-01		1	ea	Plex, Clear, 23.75 X 23.75	
37	705-0066-00		1	ea	Shipping Container Set	1US34 Style
38	780-0110-00		1	ea	Manual, Svc & Op ROBOCOP	
39	810-0035-00		1	ea	Underlay, Mon., ROBOCOP	
40	820-0046-00		2	ea	Decal, Side, ROBOCOP	
41	830-0041-01		1	ea	Plex, Marquee, ROBOCOP	23.75 x 7.6

end

Released: 10-12-88
 Revision A: 10-26-88

approved

CUSTOMER REPLY CARD

To receive your copy of the ROBOCOP™ Technical Service Manual (including schematic diagrams), return the form below to Data East. Please include the Serial Number of the game cabinet. No manuals will be sent without Serial Numbers. Indicate if you would like to be on our Direct Mail list for service information.

We welcome your feedback, so please include any comments you have regarding our products and services in the section below and mail this form to:

Data East USA, Inc.
470 Needles Drive
San Jose, CA 95112
Attn: Customer Service Dept.

ROBOCOP™ TECHNICAL SUPPORT MANUAL REQUEST FORM

COMPANY NAME: _____

ADDRESS: _____

CITY: _____ STATE: _____ ZIP: _____

TELEPHONE: _____

YOUR NAME: _____ TITLE: _____

GAME CABINET SERIAL NUMBER _____

PCB SERIAL NUMBER _____ AAMA # _____

ADD YOUR COMPANY TO OUR DIRECT MAIL LIST? (circle one) YES NO

COMMENTS: _____

WARRANTY INFORMATION

Data East USA, Inc., ("Seller"), warrants only to the original purchaser ("Buyer"), of its products that the items listed below are free from defects in material and workmanship under normal use and service for the period specified:

GAME LOGIC PRINTED CIRCUIT BOARD(S)

90 DAYS

No other parts of the Seller's products are warranted.

Warranty periods are effective from date of initial shipment from Seller to Buyer. Seller's sole liability shall be, at its option, to repair or replace products which are returned to Seller during the warranty periods specified, provided:

1. Seller is notified promptly upon discovery by buyer that stated products are defective.
2. Such products are properly packaged and then returned freight pre-paid, to a place specified by Seller.

This warranty does not apply to products damaged during shipment and/or due to improper handling, or due to improper installation or usage, or alteration. In no event shall Seller be liable for any anticipated profits, loss of profits, loss of use, accidental or consequential damages, or any other losses incurred by the customer in connection with the purchase of a Data East USA, Inc., product.

WARRANTY DISCLAIMER

EXCEPT AS SPECIFICALLY PROVIDED IN A WRITTEN CONTRACT BETWEEN SELLER AND BUYER, THERE ARE NO OTHER WARRANTIES, EXPRESSED OR IMPLIED, INCLUDING ANY IMPLIED WARRANTIES OF MERCHANTABILITY OR FITNESS FOR A PARTICULAR PURPOSE.

