


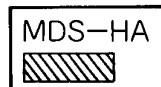
VS.HOGAN'S ALLEY

(Operation Manual)

MDS(MGS)

I. How to install Software ROMs

Each Software ROM is labeled with a Location Number shown on it ( Shaded Portion illustrated below), which indicates the corresponding location on the P.C. Board where it should be installed.

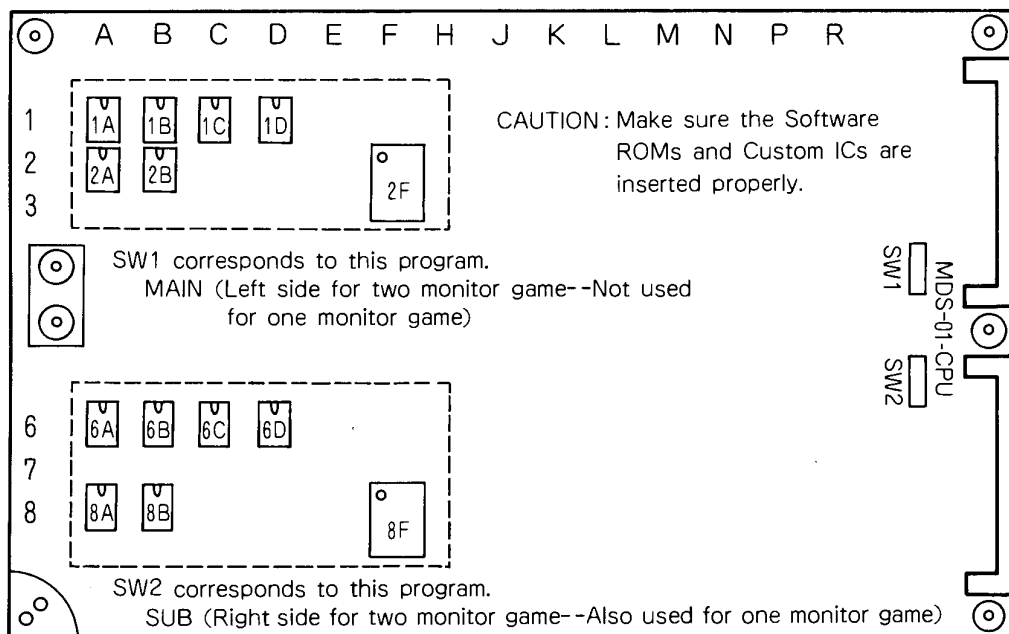


(Label on Software ROM)

“VS.HOGAN’S ALLEY” contains 6 Software ROMs, and 1 Custom IC, which have location numbers, 1A or 6A, 1B or 6B, 1C or 6C, 1D or 6D, 2A or 8A, 2B or 8B and 2F or 8F. Each ROM and IC must be mounted into the proper IC Socket

For VS.DUAL SYSTEM (two monitors): If “HOGAN’S ALLEY” is to be installed in main(left) side of cabinet, then EPROMs and Custom IC should use locations 1A,1B,1C, 1D, 2A, 2B and 2F. For sub (right) side, use locations 6A, 6B, 6C, 6D, 8A, 8B and 8F.

For VS.UNISYSTEM (one monitor): “HOGAN’S ALLEY” EPROMs and Custom IC must use locations 6A, 6B, 6C, 6D, 8A, 8B and 8F (sub side).

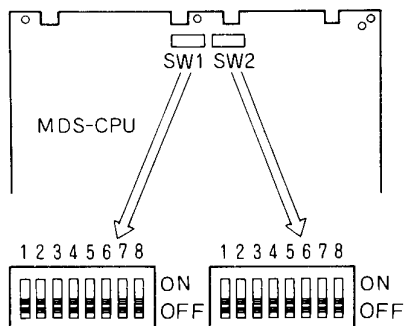


ROM and IC Location on P.C. Board

NOTE: “VS.HOGAN’S ALLEY” can be interchanged between left and right side on two monitor game.

2. Points and methods of adjustment

Game Option Settings
MDS P.C. Board



SW1...MAIN (Left side for two monitor game--Not used for one monitor game)

SW2...SUB (Right side for two monitor game--Also used for one monitor game)

MDS FOR VS.HOGAN'S ALLEY

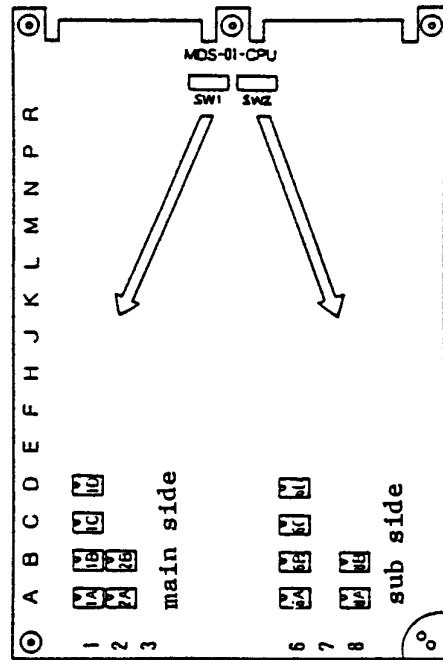
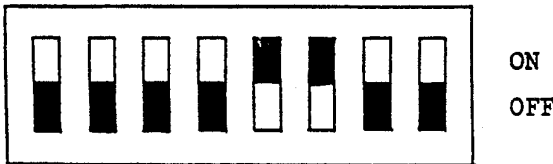
		SW1(SW2)							
		1	2	3	4	5	6	7	8
Coin/Credit	1/1	OFF	OFF	OFF					
	1/2	OFF	OFF	ON					
	1/3	OFF	ON	OFF					
	2/1	OFF	ON	ON					
	3/1	ON	OFF	OFF					
	4/1	ON	OFF	ON					
	5/1	ON	ON	OFF					
Free Play		ON	ON	ON					
Difficulty	Easy	1			OFF	OFF			
		2			ON	OFF			
		3			OFF	ON			
	Hard	4			ON	ON			
Number of Miss Per Game		3					OFF		
		5					ON		
Bonus Miss Awarded At		30,000						OFF	OFF
		50,000						ON	OFF
		80,000						OFF	ON
		100,000						ON	ON



CAUTION

The suggested factory settings for VS.Hogan's Alley™ are listed below. It is recommended that you carefully check the dip switch settings prior to operation. For the VS. DualSystem™, the dip switch settings will be on either SW1 or SW2, depending on which side of the p.c. board you install the EPROM's and custom IC. Refer to the operation manual for further instructions. For the VS. UniSystem™, the EPROM's and the custom IC must be installed in the "sub" side of the p.c. board, and then SW2 is used.

SW1 or SW2							
1	2	3	4	5	6	7	8
off	off	off	off	on	on	off	off



Please refer to the dip switch settings label and the VS.-PAK™ Operation Manual for further information.