


# VS. MACH RIDER™

## (Operation Manual)

## MDS(MGS)

### I. How to install Software ROMs

Each Software ROM is labeled with a Location Number shown on it (  Shaded Portion illustrated below), which indicates the corresponding location on the P.C. Board where it should be installed.

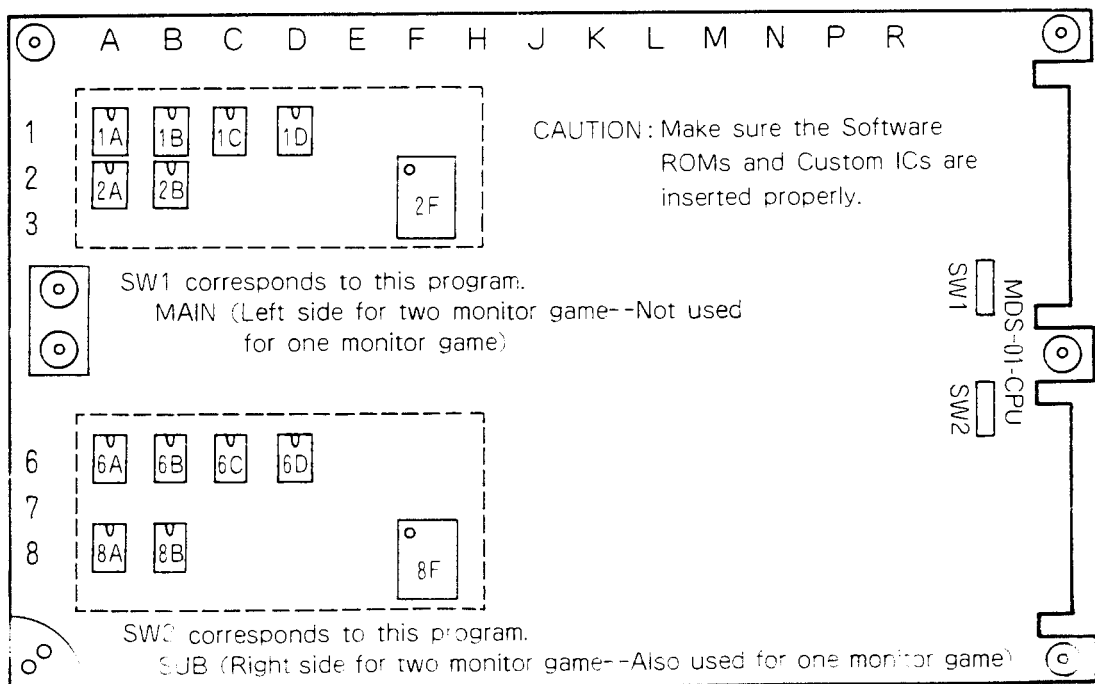


This VS-Pak contains 6 Software ROMs and 1 Custom IC, which have location numbers 1A or 6A, 1B or 6B, 1C or 6C, 1D or 6D, 2A or 8A, 2B or 8B, and 2F or 8F. Each ROM and IC must be mounted into the proper IC Socket.

For VS.DUAL SYSTEM (two monitors): If this VS-Pak is to be installed in main (left) side of cabinet, then EPROMs and Custom IC should use locations 1A, 1B, 1C, 1D, 2A, 2B, and 2F. For sub (right) side, use locations 6A, 6B, 6C, 6D, 8A, 8B, and 8F.

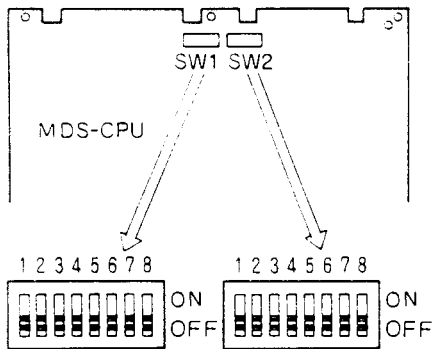
For VS.UNISYSTEM (one monitor): This VS-Pak EPROMs and Custom IC must use locations 6A, 6B, 6C, 6D, 8A, 8B, and 8F (sub side).

NOTE: This VS-Pak can be interchanged between left and right side on two monitor game.



## 2. Points and methods of adjustment

Game Option Settings  
MDS P.C. Board



SW1...MAIN (Left side for two monitor game--Not used for one monitor game)

SW2...SUB (Right side for two monitor game--Also used for one monitor game)

MDS FOR VS. MACH RIDER

		SW1(SW2)							
		1	2	3	4	5	6	7	8
Coin/Credit	1/1	OFF	OFF	OFF					
	1/2	OFF	OFF	ON			-		
	1/3	OFF	ON	OFF					
	1/4	OFF	ON	ON					
	2/1	ON	OFF	OFF					
	3/1	ON	OFF	ON					
	4/1	ON	ON	OFF					
	Free	ON	ON	ON					
TIME LIMIT									
EASY	(1)				OFF	OFF			
	(2)				OFF	ON			
	(3)				ON	OFF			
	(4)				ON	ON			
ENEMIES									
LESS								OFF	
MORE								ON	