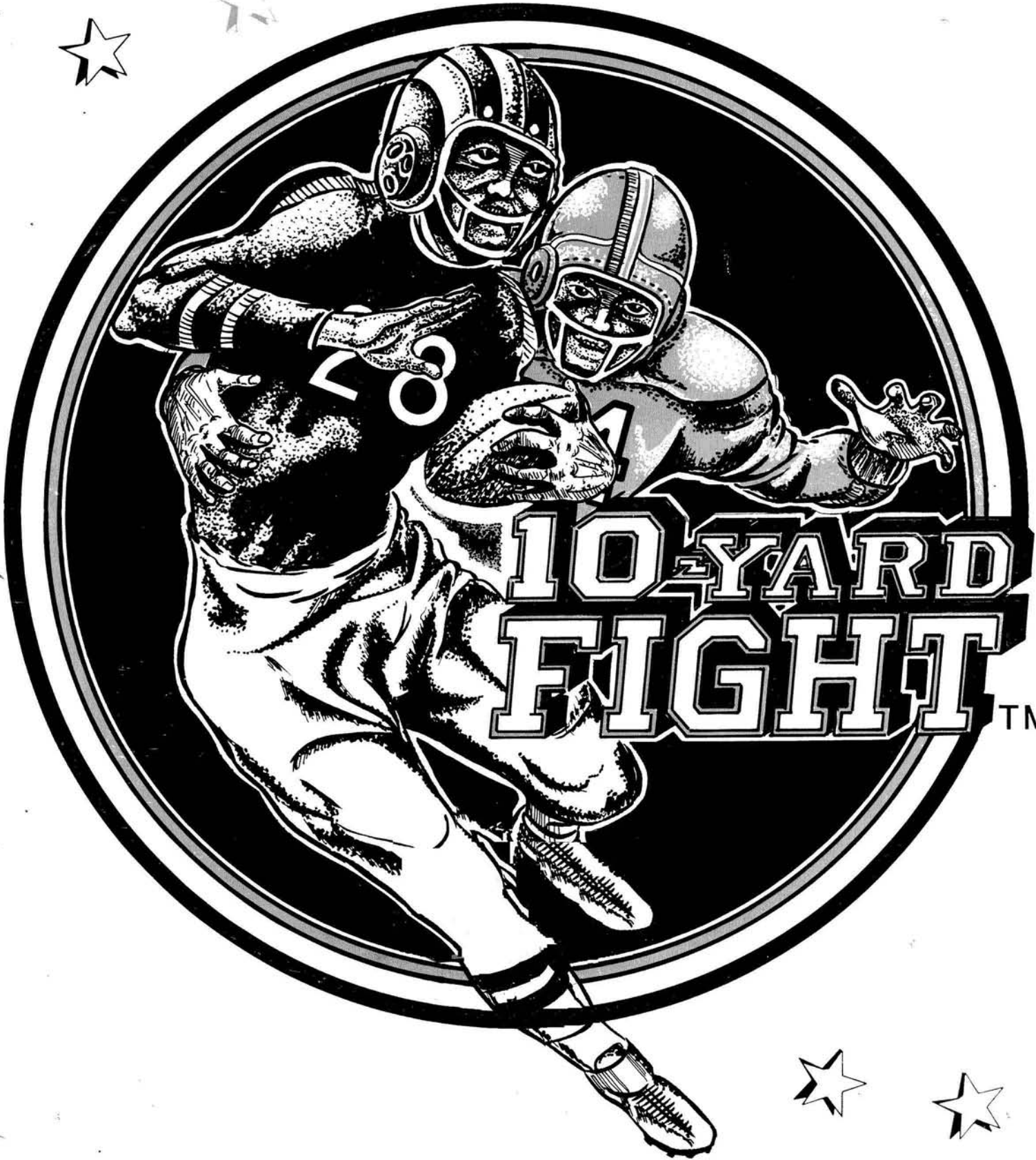




© 1984

Trade Marks of Taito America Corporation

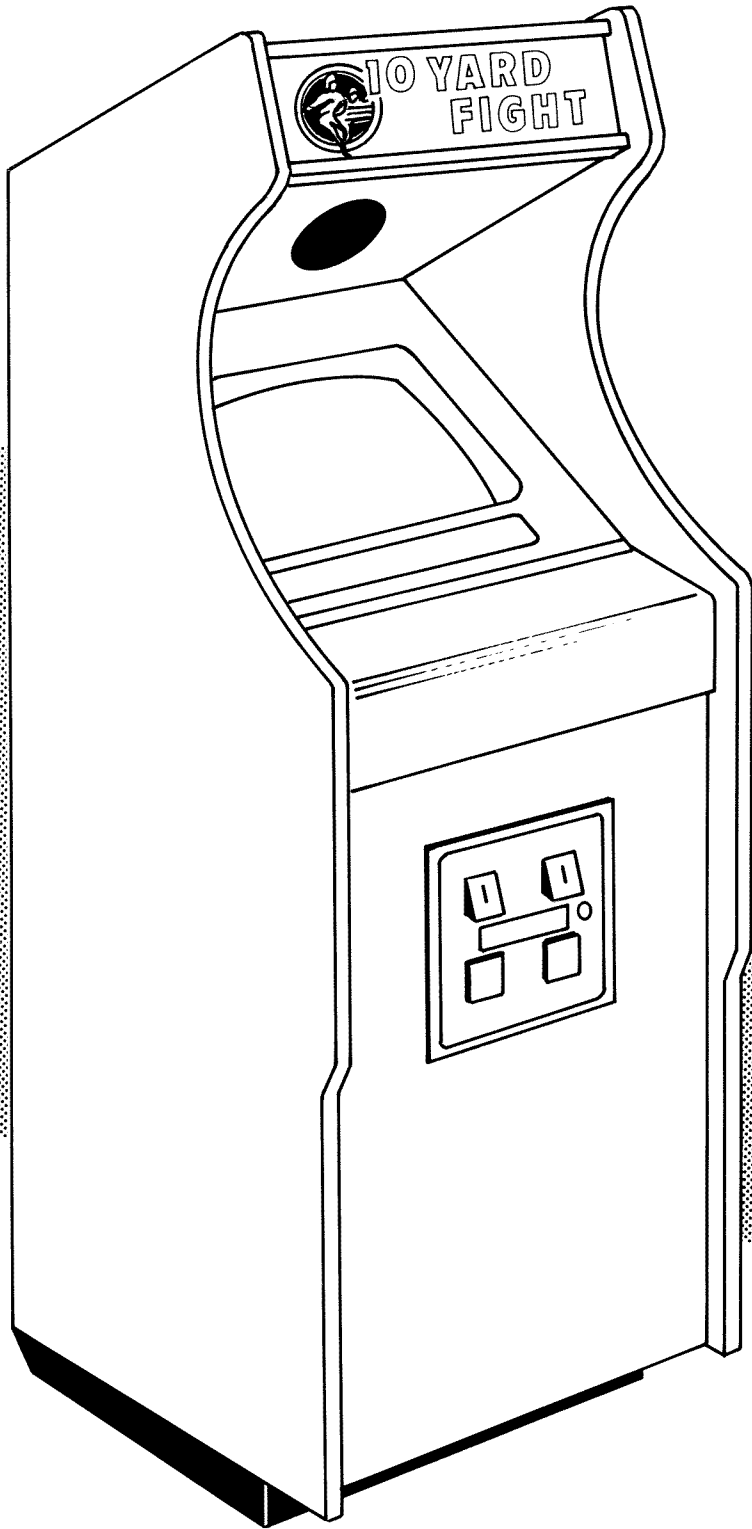
72-00049-001



© 1984

Trade Marks of Taito America Corporation

72-00049-001



10 YARD FIGHT

**“10-YARD FIGHT”™
TABLE OF CONTENTS**

1. “TEN-YARD FIGHT”™	
A. GAME FEATURES	1
B. INTRODUCTION	1
C. GAME INSTALLATION	1
D. DIP SWITCH AND VOLUME CONTROL SETTINGS	1-3
2. MAINTENANCE	
A. CLEANING	3
B. FUSE REPLACEMENT	3
C. VIDEO MONITOR REMOVAL	3
D. PRE GAME INSTALLATION	4
E. COVERGLASS REMOVAL	4
F. PRINTED CIRCUIT BOARD REPLACEMENT	4
3. DIAGNOSTIC PROCEDURE	5-6
4. ILLUSTRATION & PARTS LISTS	
FIGURE 7 INCANDESCENT PANEL	7
FIGURE 8 8-WAY JOYSTICK	8
FIGURE 9 CONTROL PANEL	9
FIGURE 10 DOOR ASSEMBLY SJC-3	10
FIGURE 11 COIN DOOR	11-12
FIGURE 12 COIN DOOR	13-14
FIGURE 13 COIN DOOR	15-16
FIGURE 14 CABINET ASSEMBLY REAR VIEW	17-18
FIGURE 15 CABINET ASSEMBLY FRONT VIEW	19-20
FIGURE 16 POWER SUPPLY COMPONENT LAYOUT	21-23
FIGURE 17 POWER SUPPLY SCHEMATIC 1 of 1	24
FIGURE 18 FILTER BOARD	25
FIGURE 19 TOP PCB (M52-Sound)	26
FIGURE 20 TOP PCB (M52-Sound G)	27
FIGURE 21 TOP PCB (M58-A-A)	28
FIGURE 22 CENTER PCB (M58-A-A) 4 BOARD SYSTEM	29-32
FIGURE 23 BOTTOM PCB (M58-B-A)	33
FIGURE 24 BOTTOM PCB (M58-B-A) 5 BOARD SYSTEM	34-38
5. WIRING DIAGRAM FOLDOUT	

"10-YARD FIGHT"™ UPRIGHT

1. GAME SET-UP

A. GAME FEATURES

TAITO AMERICA CORPORATION'S "10-YARD FIGHT"™ upright game is housed in a compact and highly serviceable cabinet with many added features.

A larger designed cash box has been incorporated into the design of this cabinet.

By putting wheels on the cabinet, moving the game from one location to another is made much easier.

The Control Panel has a polycarbonate overlay, so cigarette marks and marks can easily be wiped clean. This overlay can be replaced if necessary.

The Marquee and Coverglass are made of fully Tempered Glass to minimize breakage.

The Back Service Door houses all the P.C. Boards for the system making servicing of the game, if needed, much easier.

Lighted instructions are provided to further enhance the game and attract players, by making the instructions easier to read.

B. INTRODUCTION

"10-YARD FIGHT"™ is a fast moving football game licensed by Irem Corporation exclusively to Taito America Corporation. "10-YARD FIGHT"™ can be played by one or two players.

"10-YARD FIGHT"™ lets all the armchair quarterbacks take the field, take the ball and take as much action as they can handle. The player must score a touchdown in the time allotted to go from high school and college ball all the way to the Pros and the Super Bowl with cheerleaders marking his progress in-between. Each level begins with the player carrying the ball on the kick-off as far up the field as he can before being tackled. Then he's in control as quarterback, running with the ball or throwing a forward pass to or lateral to a receiver who lets him know he's open by waving his arms. An intercept pass means a 20 yard penalty, points after can be scored by kicking the ball or running with it into the end zone and the clock is stopped when the player runs out of bounds.

"10-YARD FIGHT"™ has a continuous play feature whereby the player can continue to play where he left off by inserting an additional coin.

So be the next All American Football Hero - Play "10-YARD FIGHT"™. Good Luck!

C. GAME INSTALLATION

TAITO AMERICA CORPORATION'S "10-YARD FIGHT"™ upright game is shipped ready for operation, but a last visual check should be made to insure the game is in good condition. Please verify the following before turning the game on.

Check the exterior of the game for shipping damage, chips, dents, or broken parts.

- * Open the Rear Service Door and check for any interior damage.
- * Make sure there isn't any damage to the wiring.
- * Check the Printed Circuit Boards, making sure there is no damage to the components.
- * Check fuses to make sure they are firmly in their holders.
- * Check for loose foreign objects, especially metal objects which may cause electrical problems.
- * Check Plug-in Connectors making sure they are firmly in their sockets.

* Check Switches making sure they are not damaged.

The Video Monitor is properly adjusted before shipping. If there are any adjustments necessary, refer to our Video Monitor Manual (72-00025-001). This manual contains all the manufacturers recommendations for adjusting the video monitor.

POWER REQUIREMENTS

TAITO AMERICA CORPORATION'S "10-YARD FIGHT"™ upright game is shipped ready for operation at 120VAC, 60Hz with a power consumption of approximately 250 Watts.

CAUTION

For safe operation it is recommended the cabinet be grounded. This game is equipped with a three conductor power cable. The third conductor is the ground conductor and when the cable is plugged into an appropriate receptacle the game is grounded. The offset pin on the power cable's three-prong connector is the ground connection.

LOCATION SPACE

Depth 35" (87.5cm)

Width 24" (61cm)

Height 68" (171cm)

Weight 300 lbs.

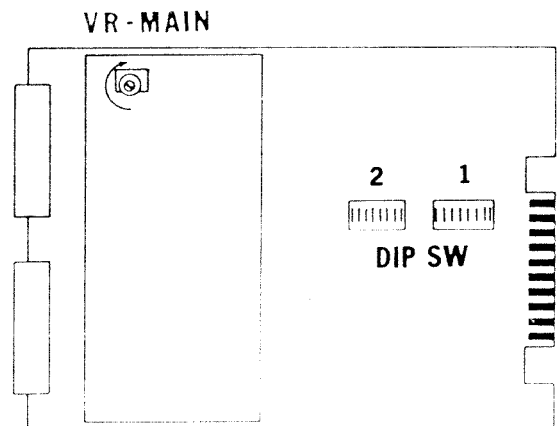
(Packaged Weight)

D. DIP SWITCH AND VOLUME CONTROL SETTINGS

DIP SWITCHES

TAITO AMERICA CORPORATION'S "10-YARD FIGHT"™ game provides the following option switches. See Figure 1. These option switches can be found on the Game Board (99-AA017808).

FIGURE 1



"10-YARD FIGHT" DIP SWITCH ADJUSTMENTS

DIP SWITCH 1

OPTIONS		SWITCHES		1	2	3	4	5	6	7	8						
TIMER SPEED BETWEEN PLAYS	NORMAL					OFF	OFF										
	X 1.3					ON	OFF										
	X 1.5					OFF	ON										
	X 1.8					ON	ON										
MODE 2 DIP SWITCH 2 POSITION 3 ON	COIN-SELECTOR A	1 COIN/1 PLAY		AL-WAYS OFF				OFF	OFF								
		2 COINS/1 PLAY						ON	OFF								
		3 COINS/1 PLAY						OFF	ON								
		FREE PLAY						ON	ON								
	COIN-SELECTOR B	1 COIN/2 PLAYS														OFF	OFF
		1 COIN/3 PLAYS														ON	OFF
		1 COIN/5 PLAYS														OFF	ON
		1 COIN/6 PLAYS														ON	ON
		1 COIN/1 PLAY														OFF	OFF
		2 COINS/1 PLAY														ON	OFF
		3 COINS/1 PLAY														OFF	ON
		4 COINS/1 PLAY														ON	ON
		5 COINS/1 PLAY														OFF	OFF
		6 COINS/1 PLAY														ON	OFF
1 COIN/2 PLAYS								OFF	OFF								
1 COIN/3 PLAYS								ON	ON								
1 COIN/4 PLAYS								OFF	ON								
1 COIN/5 PLAYS								ON	ON								
1 COIN/6 PLAYS								OFF	ON								
FREE PLAY								ON	ON								
CONTINUED PLAY	YES		ON														
	NO		OFF														

Note! Set for Coin Mode 1 in case a single coin-selector or two selectors of the same coin value are used.
Set for Coin Mode 2 in case two coin-selectors of different coin values are used.

DIP SWITCH 2

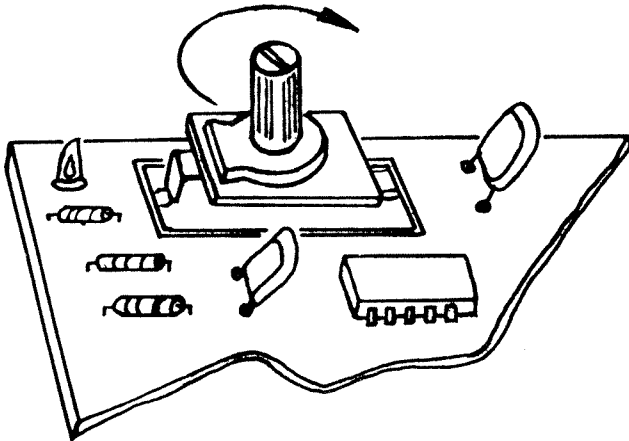
OPTIONS		SWITCHES		1	2	3	4	5	6	7	8
SCREEN INVERSION	PLAYER 2		OFF				AL-WAYS		AL-WAYS		
	PLAYER 1		ON								
CABINET TYPE	T T				OFF		AL-WAYS		AL-WAYS		
	UPRIGHT				ON						
COIN MODE	MODE 1				OFF		AL-WAYS		AL-WAYS		
	MODE 2				ON						
FREEZE PICTURE	NORMAL					OFF	AL-WAYS	OFF	AL-WAYS		
	FREEZE					ON					
HIT MODE	NORMAL						AL-WAYS		AL-WAYS	OFF	
	NO HIT									ON	
TEST MODE	NORMAL						AL-WAYS		AL-WAYS		OFF
	TEST										ON

NOTE! Press 2P. start button to freeze picture. Press 1P. start button to let it move again.

VOLUME CONTROL SETTING

The Volume increases by turning the potentiometer as indicated in Figure 2.

VOLUME CONTROL LOCATIONS
FIGURE 2



POWER ON/OFF SWITCH

The power on/off switch is located in the front lower left hand corner of the cabinet.

2. MAINTENANCE

All games require a certain amount of maintenance to keep them in good condition. A periodic check of mechanical controls would be beneficial to guarantee your game will be profitable.

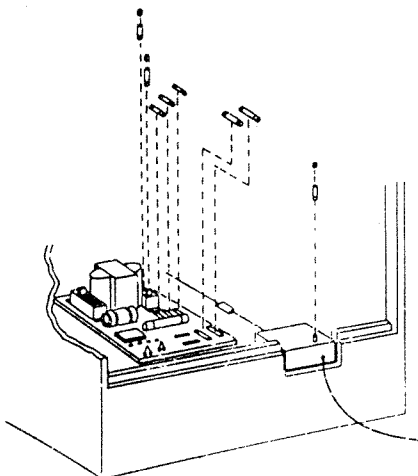
A. CLEANING

The exterior of the game, all metal parts and all plastic parts can be cleaned with a non-abrasive cleanser. Caution should be used when cleaning the plastic, a dry cloth can cause scratches and result in a foggy appearance.

B. FUSE REPLACEMENT

This game contains 8 fuses. Seven of these fuses can be found on the Power Supply Assembly, five (5) are on the PCB and two (2) are on the Power Supply Bracket. One (1) is located at the bracket where the AC line cord comes into the cabinet. See Figure 3 for location of these fuses.

FUSE REPLACEMENT
FIGURE 3



C. VIDEO MONITOR REMOVAL

If you need to remove the Video Monitor follow the instructions listed below:

NOTICE:

"This equipment complies with the requirements of Part 15 of FCC Rules for a Class A computing Device. Operation of this equipment in a residential area may cause unacceptable interference to radio and T.V. reception requiring the operator to take whatever steps are necessary to correct the interference."

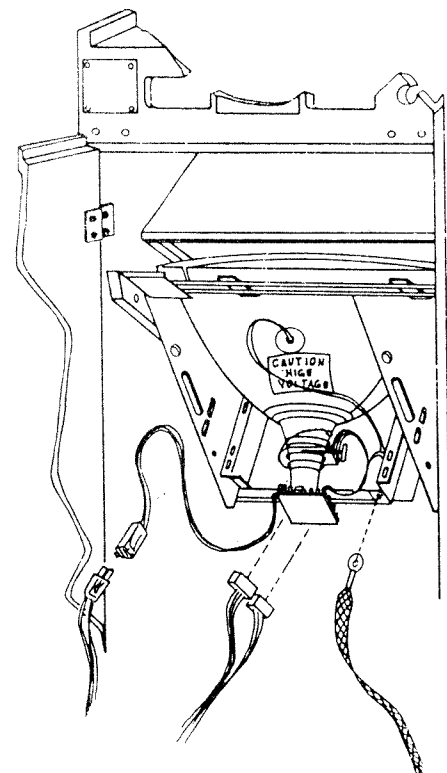
- * Turn game power switch off.
- * Disconnect the power from the line voltage.
- * Make sure back door is open fully.
- * Disconnect the Monitor cable connector.
- * While holding the monitor bracket take out the two rear side bolts, one on each side of the cabinet.
- * Carefully lower the monitor on to monitor stops.
- * Remove the four mounting bolts and disconnect the braided ground wire.
- * Slide the monitor out by pulling the monitor toward you.

CAUTION

Use extreme caution and do not touch electrical parts of the Monitor Yoke area with your hands or with any metal object in your hands! High voltages may exist in any Monitor, even with power disconnected.

MONITOR REMOVAL

FIGURE 4



D. PRE GAME INSTALLATION

The following precautions should be followed when installing the game.

- * Avoid rough handling of the game, the picture tube is fragile.
- * Install the game on a level surface.
- * Avoid installing the game where it may receive excessive sunlight or heat, to protect the game from rising internal temperatures.
- * Do not install in a damp or dusty location.
- * For a short time after connecting the power to the game, the picture may be temporarily distorted.

The monitor's purity is affected by the earth's magnetic field, causing a variation of color. By turning the game on for 10 to 15 seconds and then off for 20 to 30 minutes, the automatic degaussing circuit applies a degaussing field to the edges of the monitor. Doing this several times will correct the problem. Another way to correct this problem is to purchase a degaussing coil or bulk tape eraser at any Electronics store. This will help to immediately demagnetize the Video tube. Caution must be used with a degaussing coil so the magnetic field of the degaussing coil is not allowed to become too intense at any one place on the picture tube thereby causing a localized color distortion. If you move the game to another location after degaussing the problem may reappear. Refer to Monitor Manual.

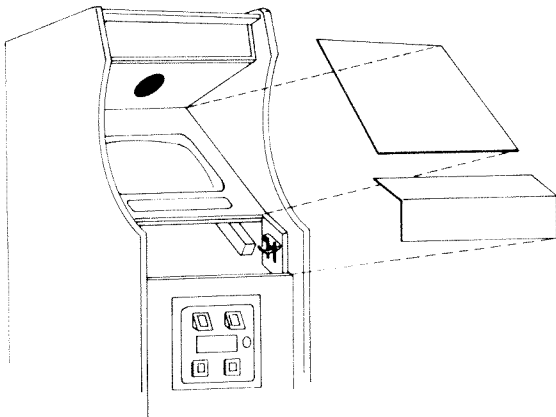
E. COVERGLASS REMOVAL

To remove the Coverglass follow the Instructions listed below:

1. Remove the control panel by reaching up through the Coin Door and unlatching the latching clamps.
2. Disconnect the Control Panel Cable.
3. Lift the Control Panel out. The Coverglass can now be easily removed from the front of the game with no screws. To replace the coverglass simply reverse the above procedure.

NOTE: Be sure you are holding the glass firmly to ensure against any chipping or breakage.

FIGURE 5



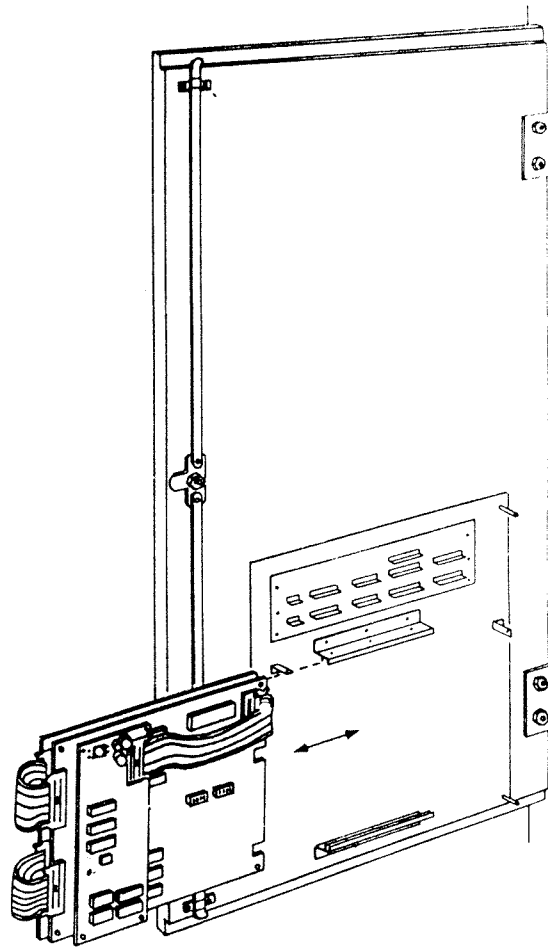
F. PRINTED CIRCUIT BOARD REPLACEMENT

You may wish to remove the "10-YARD FIGHT"™ Printed Circuit Boards for servicing. Refer to Figure 6. The 10 Yard Fight Printed Circuit Boards are located on the inside of the rear Service Door for easy access. To remove the boards the following steps should be followed:

1. Open the rear service door, the power will automatically be removed by the Interlock Switch located on the inside of the door frame.
2. Disconnect the connectors G, H and T from the boards.
3. Loosen and turn the Stop Bracket and slide the boards out of the board guides.

PRINTED CIRCUIT BOARD REPLACEMENT

FIGURE 6



E. SOUND TEST

While the video monitor displays the test list, control the joystick to position the cursor at 03 and press the 1-Player button.

A table of sound appears on the video monitor.

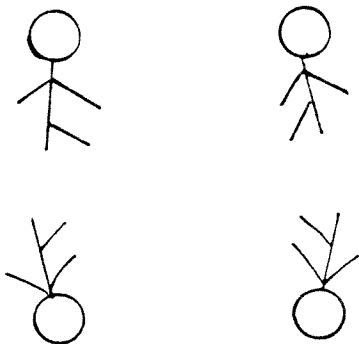
01	BALL KICKING SOUND
02	LINEMAN BLOCKING SOUND
03	BLOCKING SOUND
04	TACKLING SOUND
05	GAME OVER SOUND
06	CHEER 1
07	CHEER 2
08	QUARTERBACK CALL 1
09	QUARTERBACK CALL 2
10	REFEREE CALL 1
11	REFEREE CALL 2
12	JUMP TACKLE VOICE
13	WHISTLE SOUND
14	TIME OVER INSERT COIN
15	SNAPBACK SOUND
16	BALL PASSING SOUND
17	OPENING MUSIC
18	GAME OVER MUSIC
19	BALL CARRIER RUNNING
20	CHEERLEADER MUSIC
21	TOUCHDOWN MUSIC

Select a sound by positioning the cursor with the joystick. Depressing the 1-Player button repeats the sound.

F. CHARACTER TEST

While the video monitor displays the test list, control the joystick to position the cursor at 04 and press the 1-Player button.

The video monitor displays four players carrying the ball which are flipped vertically and horizontally as shown below.



G. COLOR TEST

While the video monitor displays the test list, control the joystick to position the cursor at 05 and press the 1-Player button.

This test is comprised of five independent checkups. Pressing the 1-Player brings each checkup to the video monitor.

- (1) A row of letters A thru Z appears along with a row of numbers 0 thru 9 as shown below.

ABCDEFGHIJKLMNOPQRSTUVWXYZ
0123456789

- (2) Blue field is displayed.
- (3) Red field is displayed.
- (4) Green field is displayed.

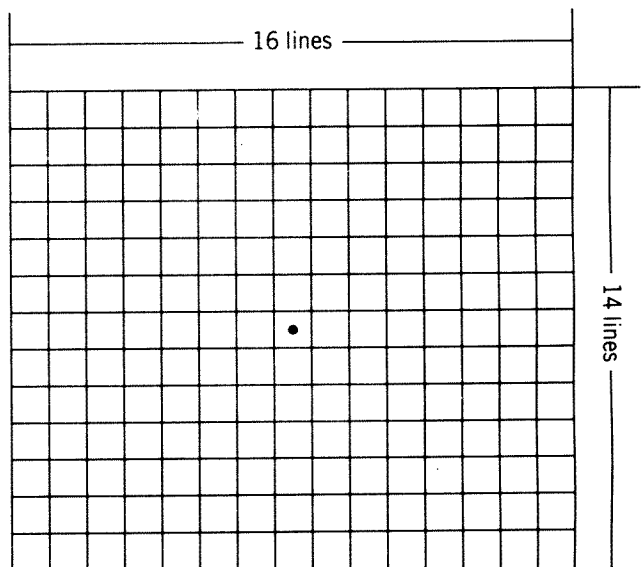
CYANOGEN	BLUE	RED	BLACK	YELLOW	PINK	GREEN	BLACK
----------	------	-----	-------	--------	------	-------	-------

- (5) Color pattern appears on the video monitor as shown above.

H. CROSS HATCH PATTERN TEST

Control the joystick to position the cursor at 06 and press the 1-Player button.

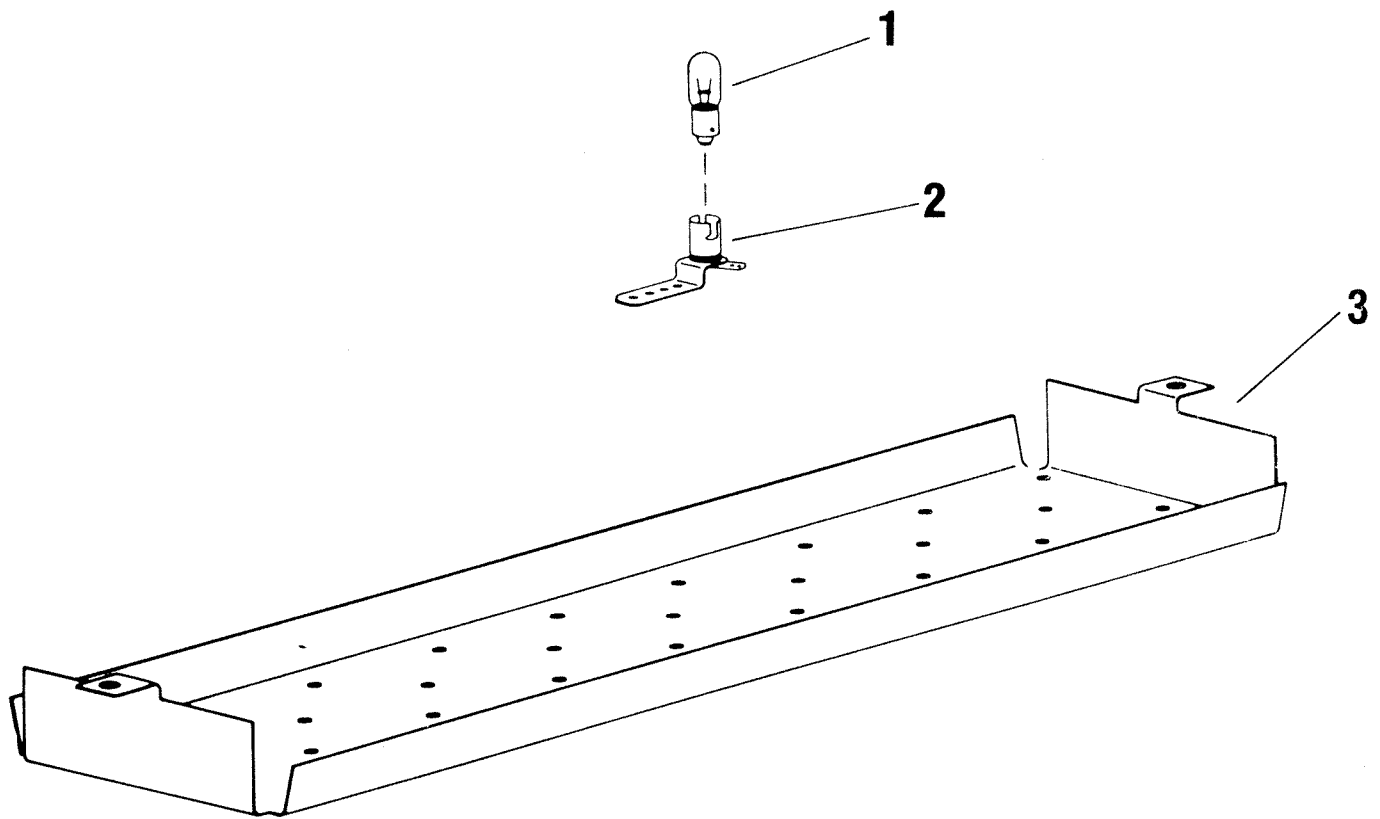
A cross hatch pattern is displayed as shown below.



INCANDESCENT PANEL

FIGURE 7

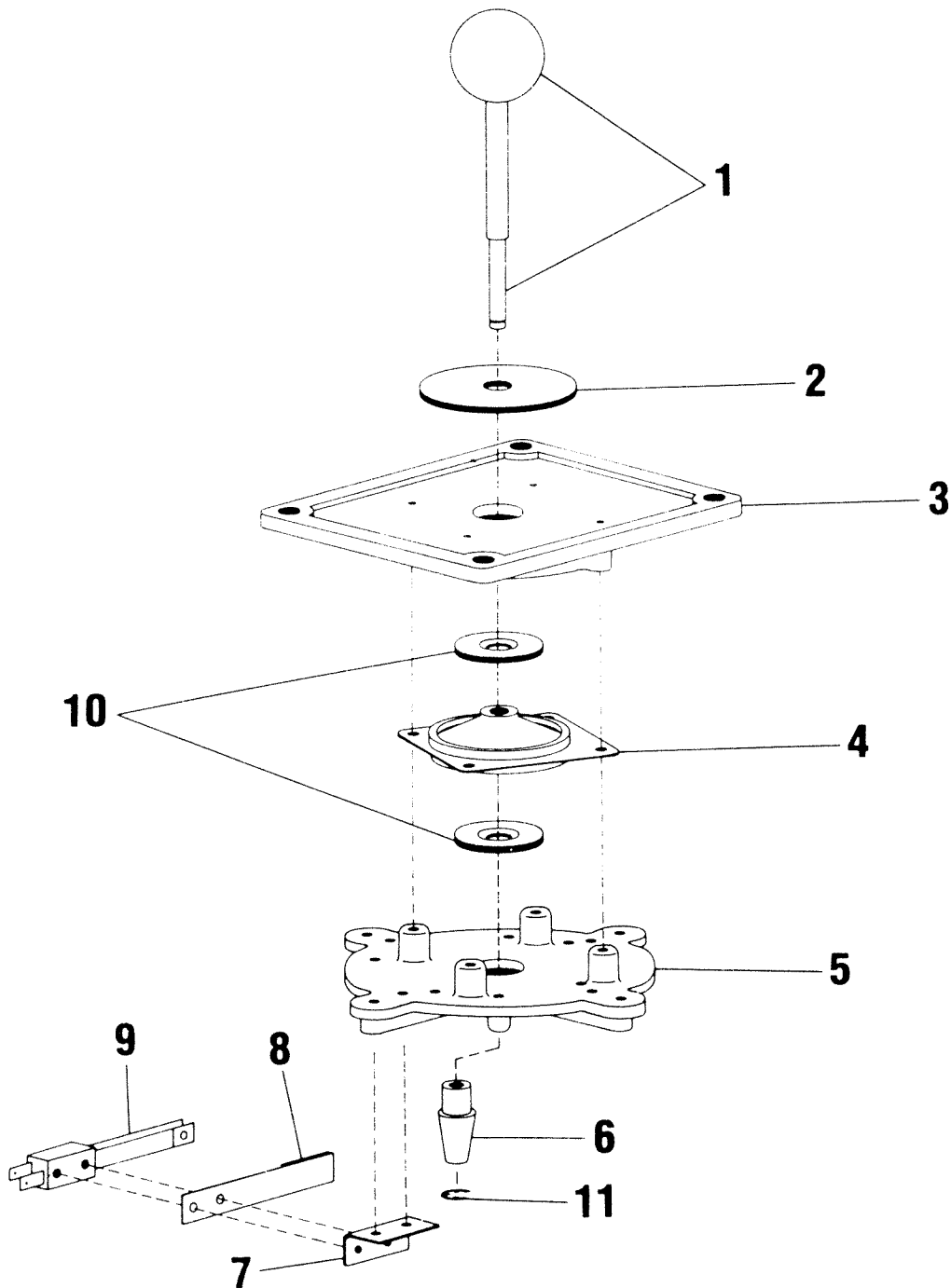
ITEM	TAITO PART NO.	DESCRIPTION
1	27-00006-001	LAMP #47
2	26B00009-001	BAYONET BASE SOCKET
3	61D00112-001	MARQUEE LIGHTING PLATE



8-WAY JOYSTICK (63-00032-006)

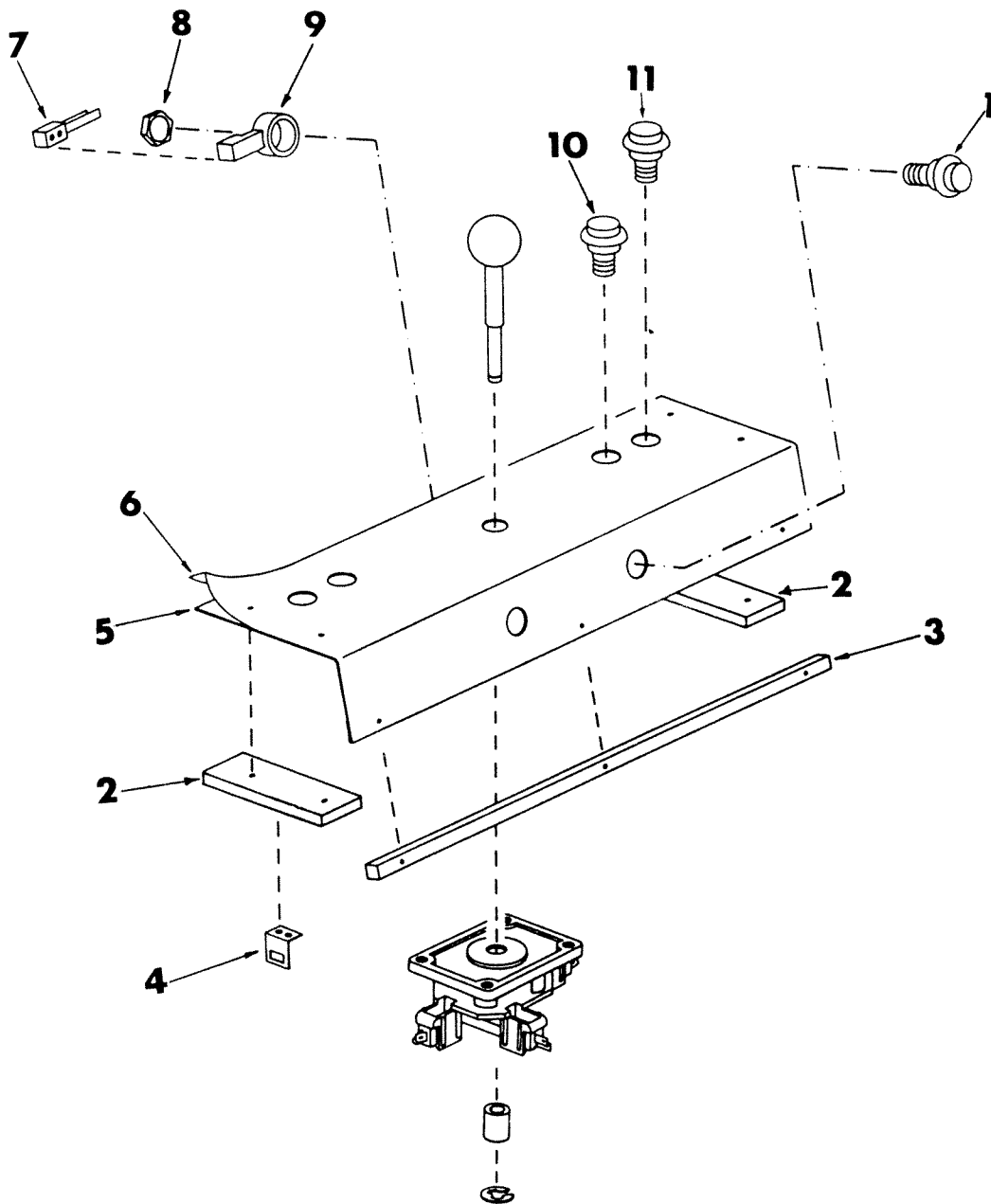
FIGURE 8

ITEM	TATIO PART NO.	DESCRIPTION
1	63B00031-001	BALL & SHIFT
2	63A00033-001	MASK
3	63C00027-001	MOUNTING PLATE
4	62A00002-001	SHOCK MOUNT PLATE
5	63A00028-001	SWITCH PLATE
6	63A00030-001	ACTUATOR
7	61A00078-001	"L" BRACKET
8	63A00026-001	SWITCH SPACER
9	29B00016-002	LEAF SWITCH, SHORT
10	63A00029-001	SPACER
11	59B00020-017	"E" RING



CONTROL PANEL FIGURE 9

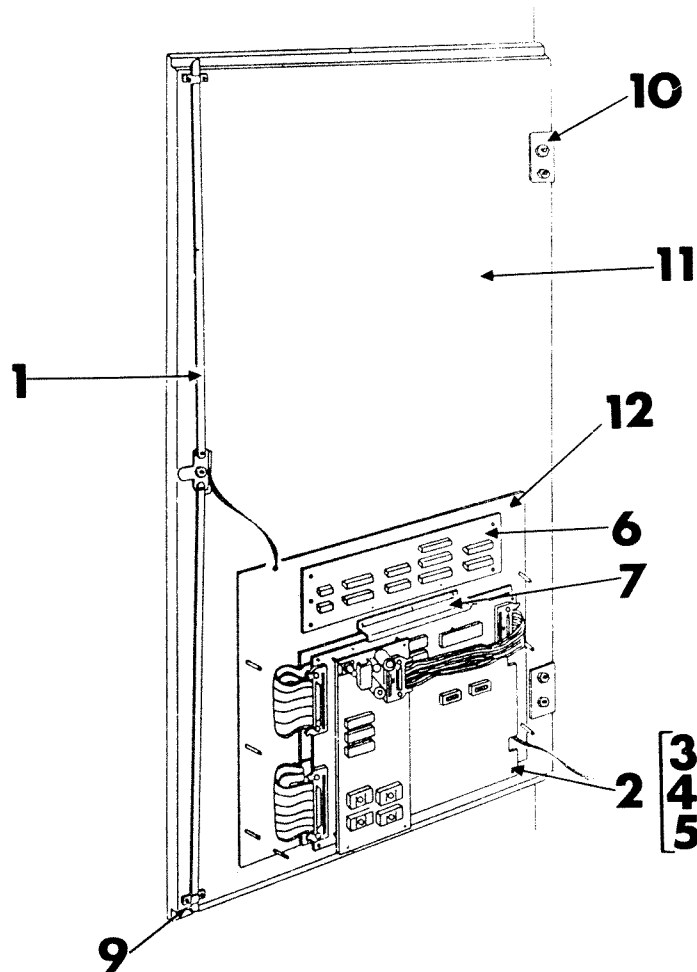
ITEM	TATIO PART NO.	DESCRIPTION
1	63B00024-001	PUSH BUTTON WHITE
2	42-00150-001	MOUNTING PLATE
3	42B00108-001	CLEAT, WOOD
4	61A00015-001	STRIKE HOOK
5	61-00216-001	METAL CONTROL PANEL
6	66-00015-001	CONTROL PANEL OVERLAY
7	29B00016-001	SWITCH LEAF
8	54A07001-008	NUT, STAMPED 5/8-11
9	63-00025-001	SWITCH SUPPORT
10	63-00156-004	PUSH BUTTON (SIDE PASS)
11	63-00156-005	PUSH BUTTON (FWD PASS)



DOOR ASSEMBLY SJC-3
FIGURE 10

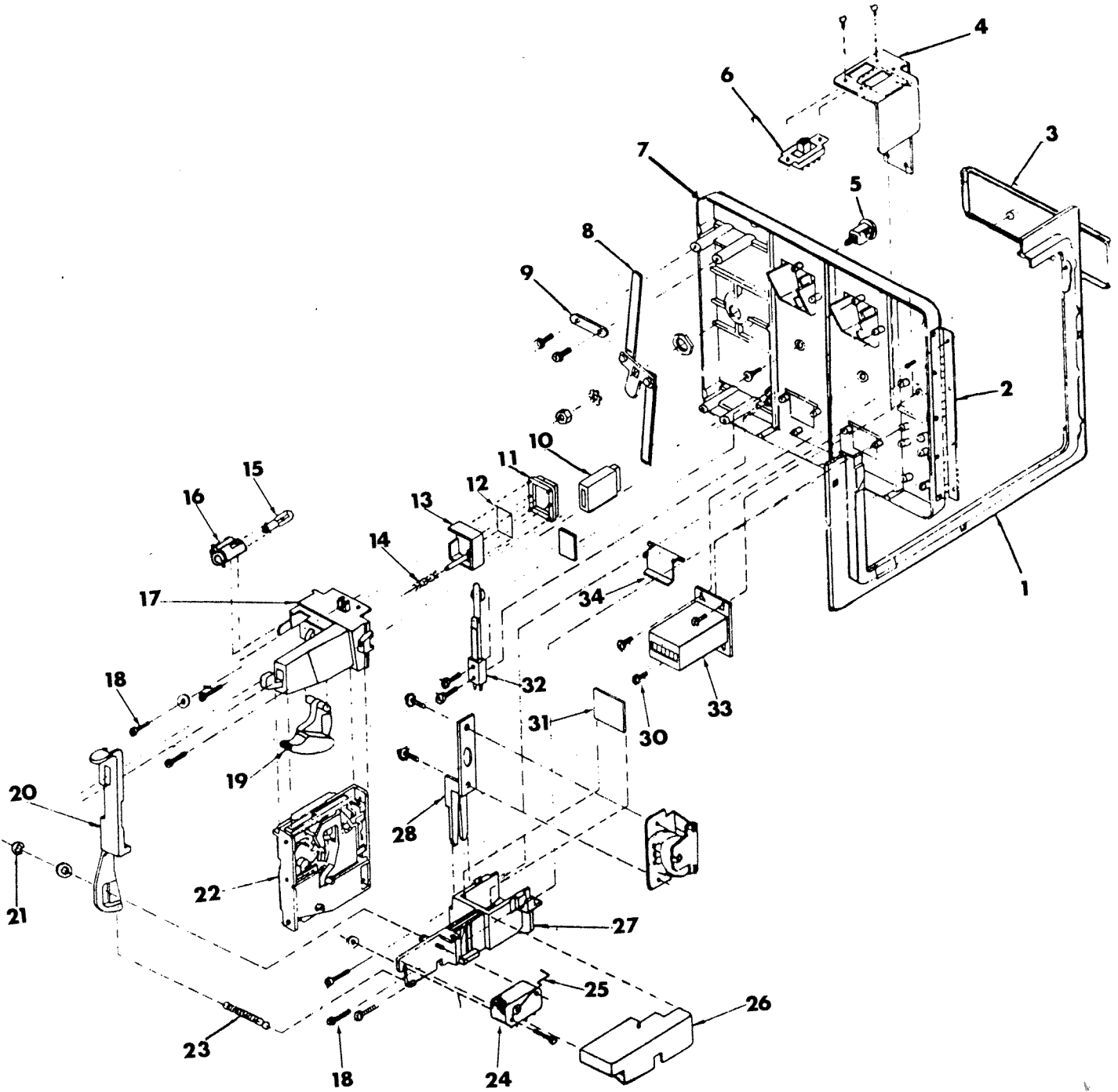
ITEM	TAITO PART NUMBER	DESCRIPTION
1	61-00142-001	LOCK ROD ASSEMBLY
2	08-00140-001	GAME BOARD SET
3	08-00140-002	SOUND PCB
4	08-00140-003	CPU PCB
5	08-00140-004	VIDEO PCB
6	08-00141-001	FILTER PCB
7	07-00349-001	BRACKET PC BOARD
8 *	61A00014-001	"L" BRACKET
9	61-00111-001	BRACKET, LOCK ROD
10	61-00229-001	HINGE
11	42-00144-001	BACK DOOR
12	61-00356-001	GROUND PLATE
13 *	59-00016-001	SPACER (FILTER BOARD)

* Item not shown on dwg.



COIN DOOR

FIGURE 11



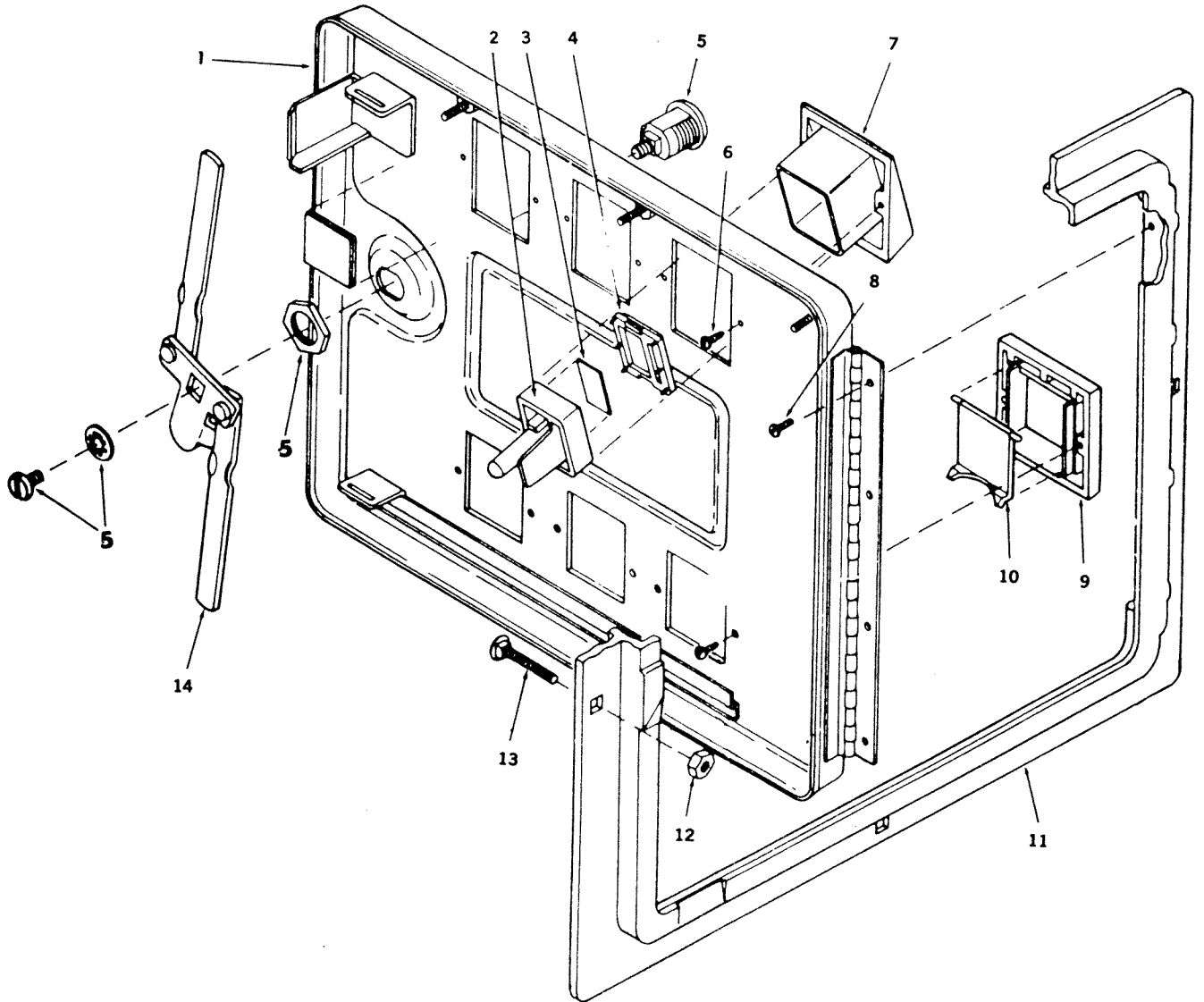
COIN DOOR

FIGURE 11

ITEM	TAITO PART NO.	DESCRIPTION	REFERENCE
1	61-00270-001	DOOR FRAME	15-8039
2	61-00272-001	HINGE	30-9125
3	61-00273-001	TAITO NAME PLATE	15-8115
4	61-00277-001	SERVICE SWITCH BRACKET	15-8030
5	07-00242-001	LOCK 5/8" ASSEMBLY	34-1855
6	29-00037-001	SERVICE SWITCH	23-1339
7	61-00271-001	DOOR	15-8038
8	07-00243-001	LOCK CAM ASSEMBLY	55-2909
9	61-00278-001	LOCK CAM PLATE	55-2909
10	63-00124-001	COIN ENTRY SLOT	15-8074
11	63-00125-001	PUSH BUTTON COVER	15-8072
12	79-50034-001	.25 PRICE DECAL	15-8081
13	63-00126-001	PUSH BUTTON	15-8071
14	58-00007-001	COMPRESSION SPRING	30-7722
15	27-00008-001	LAMP #1815	21-1815
16	26-00019-001	LAMP SOCKET 25B4-L187	15-9419
17	61-00274-001	COIN CHUTE	15-8075
18	51-02002-006	#6-32 X 1/2 PR PH SCREW	
19	63-00127-001	REJECT LEVER	15-8084
20	63-00131-001	COIN ACCEPTOR RETAINER	15-8086
21	59-00020-025	1/4" E RING	30-0731
22	59-00055-001	PLASTIC COIN ACCEPTOR .25	31-4014
23	58-00008-001	EXTENSION SPRING	30-7372
24	29-00041-001	SWITCH	23-1347
25	61-00279-001	WIRE FORM (COIN SWITCH)	23-1348
26	63-00130-001	SWITCH COVER	15-8043
27	23-00003-001	COIN RETURN BOX	15-8091
28	63-00129-001	COIL BRACKET	15-8080
29		NOT USED	
30	51-02002-002	#6-32 X 1/4 PR PH SCREW	
31	61-00276-001	GUARD	15-8092
32	29-00036-001	SLAM SWITCH	15-1255
33	33-00002-001	COIN COUNTER 6VDC	31-4550
34	63-00128-001	COIN RETURN DOOR	15-8083

COIN DOOR

FIGURE 12

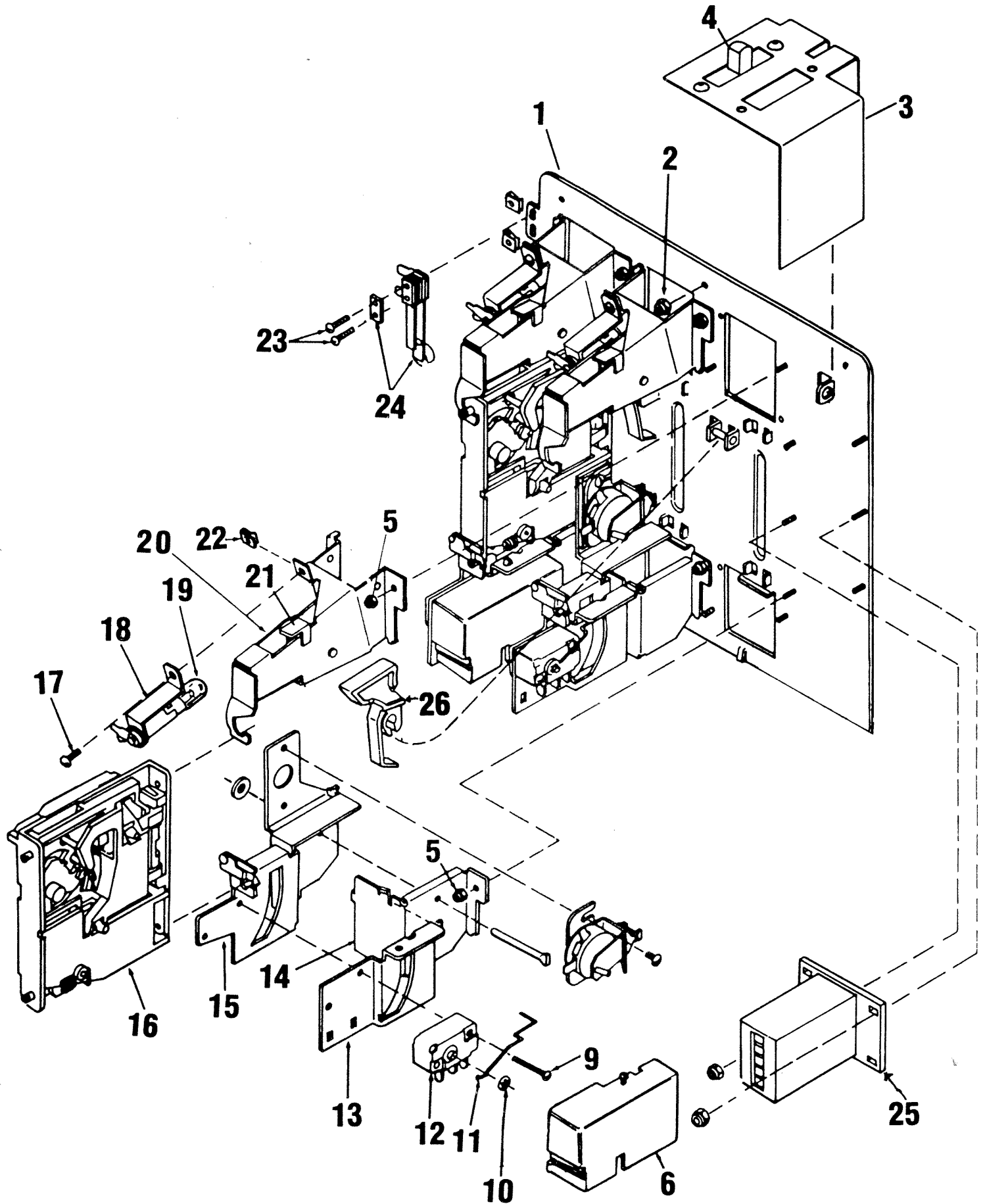


**COIN DOOR
FIGURE 12**

ITEM	TAITO PART NO.	DESCRIPTION	REFERENCE
1	61-00042-001	COIN DOOR ONLY (2 COIN)	404341
2	63-00015-001	COIN RETURN BUTTON	904591
3	79-50004-001	US ,25 PRICE DECAL	904703
4	63-00016-001	COIN RETURN BUTTON COVER	
5	07-00025-001	LOCK ASSEMBLY	904707-1
6	51-01051-003	SCREW #4 X 5/16 SL PH TYPE B	345-4-5
7	63-00011-001	COIN BUTTON HOUSING	904588
8	51-02051-002	SCREW #4-40 X 1/4 SL PH	325-4-4
9	63-00012-001	COIN RETURN BEZEL	904590
10	63-00013-001	COIN RETURN COVER	904599
11	61-00040-001	COIN DOOR FRAME 11 5/8 X 13 3/8 MOUNTS IN A 10 3/8 X 12 3/16 OPENING	
12	54-01005-001	HEX NUT 1/4-20	406-416
13	51A03003-113	CARRIAGE BOLT	904734
14	07-00026-001	LOCK CAM ASSEMBLY	404357

COIN DOOR

FIGURE 13



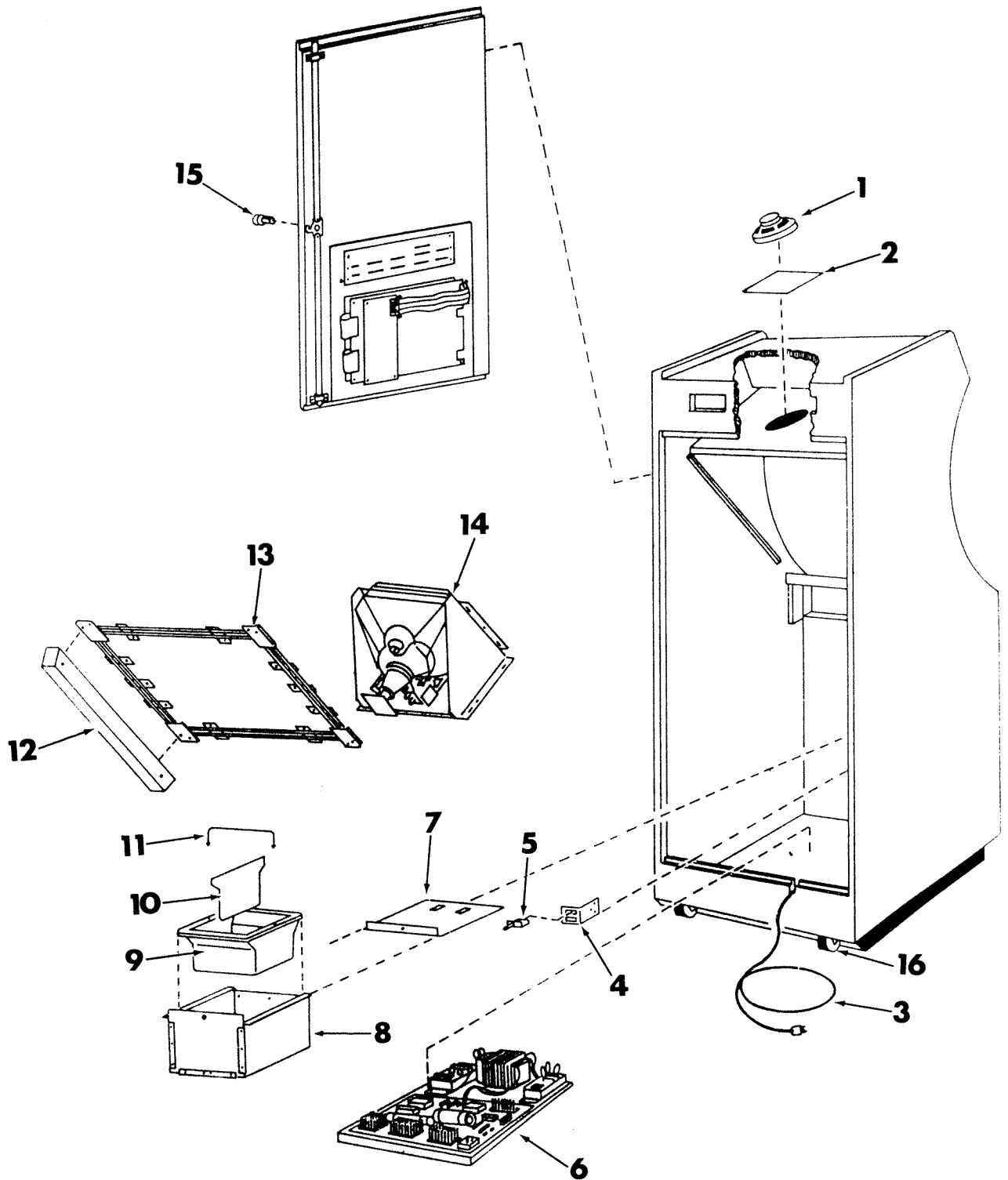
**COIN DOOR
FIGURE 13**

ITEM	TAITO PART NO.	DESCRIPTION	REFERENCE
1	07-00027-001	INNER PANEL W/LEVERS	404429 SUB ASSEMBLY
2	54-03013-001	NUT #8-32 400-8	
*	09-00017-001	CUSTOM HARNESS ASSEMBLY (SGL COIN)	
*	09-00017-002	CUSTOM HARNESS ASSEMBLY (DUAL COIN)	
3	61B00113-001	SERVICE SWITCH BRACKET	
4	29-00022-001	SERVICE SWITCH	
5	54-03011-001	NUT #4-40	904762
6	63-00014-001	SWITCH COVER	100-6-3
7	51-02052-001	NOT USED	
8	23-00001-001	NOT USED	
9	51-02052-001	SCREW #6-32 X 3/16 SS PH	100-4-12
10	59-00019-001	RETAINER	900651
11	28-00029-001	SILVER SWITCH FOR US .25	904710-1
12	29-00007-001	SWITCH	904845
13	61-00044-001	COIN CHUTE	904701
14	61-00045-001	COIN RETURN BOX	904598
15	61-00025-001	SWITCH & C.R.E.M. COIL BRACKET	404428
16	59-00018-001	.25 ACCEPTOR	5301-10
17	51-02051-006	SCREW 4-40 X 3/8 SS PH	110-4-6
18	27-00003-001	MINATURE BAYONET BASE LAMP 904717 * 26-00006-001 LAMP SOCKET	904717
19	27-00003-001	1815 LAMP 12V	
20	61-00048-001	COIN INLET CHUTE	904418
21	61-00047-001	RIGHT HALF OF COIN INLET CHUTE	904594
22	54-00001-001	"U" TYUPE FASTENER	904712
23	51-02051-006	SCREW 4-40 X 1/2 SS PH	116-4-8
24	29-00006-001	SLAM SWITCH ASSEMBLY	904704
25	33-00002-001	COIN METER	
26	63-00155-001	COIN REJECT LEVER	904583

* Item not shown on drawing.

CABINET ASSEMBLY REAR VIEW

FIGURE 14



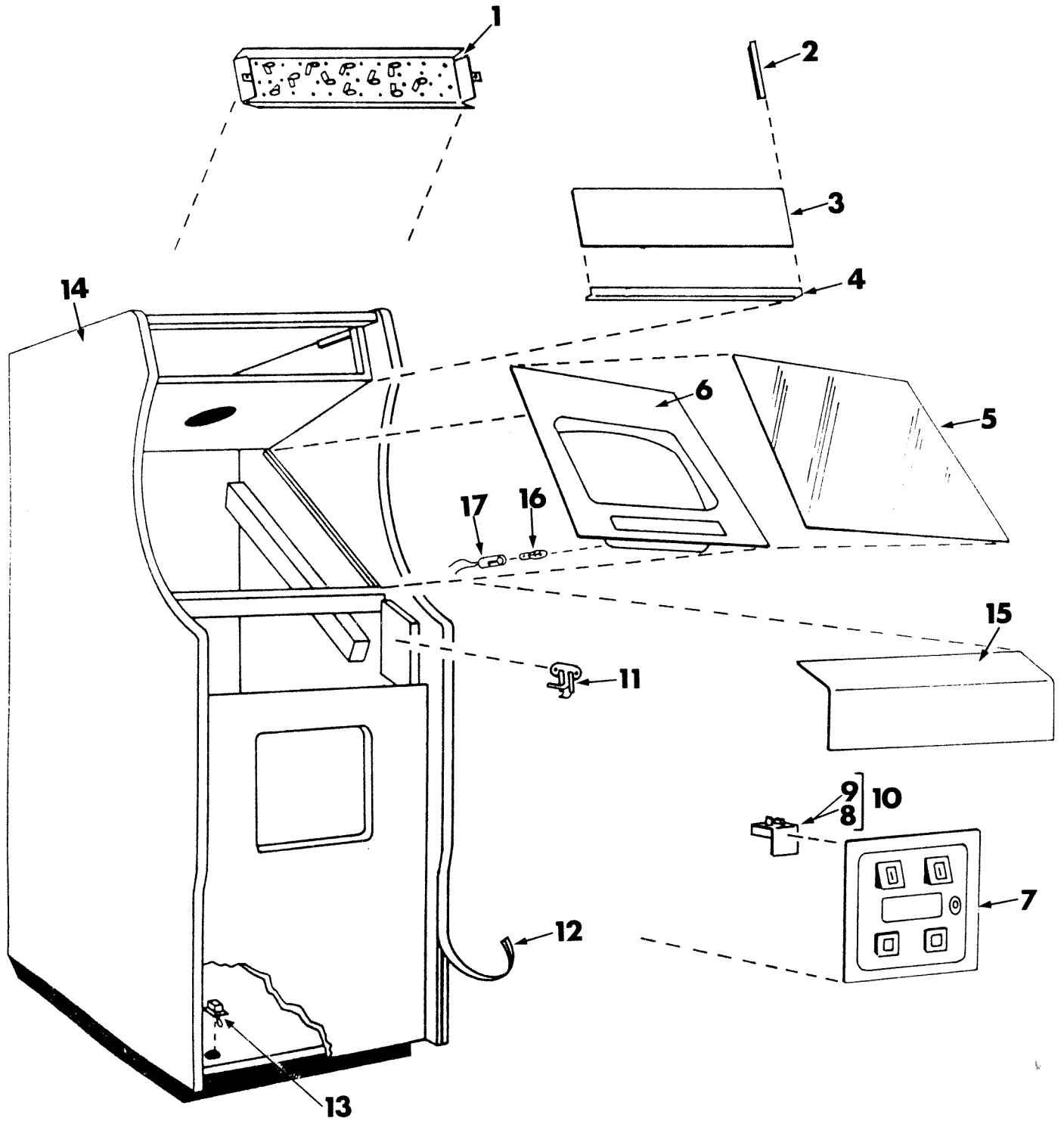
CABINET ASSEMBLY REAR VIEW
FIGURE 14

ITEM	TAITO PART NO.	DESCRIPTION
1	21-00003-001	SPEAKER
2	61B00027-001	SPEAKER GRILL
3	07M00042-001	A/C LINE CORD ASSEMBLY
4	61-00114-001	INTERLOCK BRACKET
*4A	59-00046-001	SWITCH BARRIER
5	29B00015-001	INTERLOCK SWITCH
6	07M00039-003	POWER SUPPLY ASSEMBLY
7	61C00054-001	CASH BOX LID
8	61D00060-001	CASH BOX
9	63R00010-001	CASH TRAY (ONLY)
10	63-00019-001	CASH TRAY SEPARATOR
11	61B00039-001	CASH TRAY HANDLE
12	42C00013-001	MONITOR SUPPORT CLEAT
13	61D00208-001	MOUNTING BRACKET
14	31-00013-001	19" COLOR MONITOR
15	04-00037-002	LOCK ASSEMBLY
16	44-00001-001	WHEEL ASSEMBLY
*17	07-00041-001	HEAT SINK ASSEMBLY
*18	08-00007-002	REGULATOR BOARD
*19	18-00003-001	TRANSFORMER

* Item not shown on drawing.

CABINET ASSEMBLY FRONT VIEW

FIGURE 15



CABINET ASSEMBLY FRONT VIEW
FIGURE 15

ITEM	TAITO PART NUMBER	DESCRIPTION
1	07M00055-002	INCANDESCENT PANEL
2	63B00006-003	"U" CHANNEL BRACKET
3	47-00012-021	MARQUEE
4	61C00115-001	MARQUEE RETAINING BRACKET
5	47-00016-011	COVERGLASS
6	63-00053-001	SHROUD
7	07-00285-003	COIN DOOR
8	61B00113-001	SWITCH BRACKET
9	07-00118-001	SERVICE SWITCH ASSEMBLY
10	29-00022-001	SLIDE, CENTER RETURN SWITCH
11	59-00008-001	LATCHING CLAMP
12	63B00002-004	"T" MOLDING
13	29A00023-001	POWER ON/OFF SWITCH
*	09-00227-001	MAIN HARNESS CABLE
*	09-00043-001	SPEAKER CABLE
14	41-00024-005	FINISHED CABINET
15	07-00347-001	CONTROL PANEL ASSEMBLY
16	27-00006-001	#47 BULB
17	26-00008-001	LAMP CLIP - ON MINI BAY

* Item not shown on drawing.

POWER SUPPLY BOARD

FIGURE 16

SYM	TAITO PART NO.	DESCRIPTION
R1	11-00001-102	RES, 1.0K 1/4W 5%
R2	11-00001-512	RES, 5.1K 1/4W 5%
R3	11-00001-183	RES, 18K 1/4W 5%
R4	11-00001-224	RES, 220K 1/4W 5%
R5	11-00001-472	RES, 4.7K 1/4W 5%
R6	11-00001-222	RES, 2.2K 1/4W 5%
R7	11-10001-101	RES, 100 1/4W 5%
R8	11-00001-102	RES, 10K 1/4W 5%
R9	11-00001-472	RES, 4.7K 1/4W 5%
R10	11-10001-101	RES, 100 1/2W 5%
R11	11-30001-015	RES, .15 4W 5%
R12	11-30001-015	RES, .15 4W 5%
R13	11-00001-472	RES, 4.7K 1/4W 5%
R14	11-00001-222	RES, 2.2K 1/4W 5%
R15	11-00001-222	RES, 2.2K 1/4W 5%
R16	11-60001-252	RES, VAR 2.5K 1/4W 20%
R17	11-00001-222	RES, 2.2K 1/4W 5%
R18	11-60001-102	RES, VAR 1.0K 1/4W 20%
R19	11-00001-511	RES, 510 1/4W 5%
R20	11-10001-470	RES, 47 1/2W 5%
R21	11-00001-162	RES, 1.6K 1/4W 5%
R22	11-00001-103	RES, 10K 1/4W 5%
R23	11-00001-472	RES, 4.7K 1/4W 34
R24	11-00001-222	RES, 2.2K 1/4W 5%
R25	11-60001-102	RES, VAR 1.0K 1/4W 5%
R26	11-00001-472	RES, 4.7K 1/4W 5%
R27	11-00001-222	RES, 2.2K 1/4W 5%
R28	11-60001-252	RES, VAR 2.5K 1/4W 20%
R29	11-00001-472	RES, 4.7K 1/4W 5%
R30	11-00001-122	RES, 1.2K 1/4W 5%
R31	11-10001-470	RES, 47 1/4W 5%
R32	11-30001-015	RES, .15 4W 5%
R33	11-00001-222	RES, 2.2K /4W 5%
R34	11-00001-122	RES, 1.2K 1/4W 5%
R35	11-00001-511	RES, 510 1/4W 5%
R36	11-00001-222	RES, 2.2K 1/4W 5%
R37	11-00001-104	RES, 100K 1/4W 5%
R38	11-00001-103	RES, 10K 1/4W 5%
R39	11-00001-224	RES, 220K 1/4W 5%
C1	12-30001-225	CAP, TANT 2.2uf 25V
C2	12-10004-103	CAP, CER .01uf 50V
C3	12-10004-103	CAP, CER .01uf 50V
C4	12-30001-105	CAP, TANT 1uf 35V
C5	12-10001-102	CAP, .001uf 50V
C6	12-30001-106	CAP, TANT 10uf 16V
C7	12-20003-509	CAP, ELECTRO 50,000uf

SYM	TAITO PART NO.	DESCRIPTION
C8	12-30001-105	CAP, TANT 1uf 35V
C9	12-20003-209	CAP, ELECTRO 20,000uf 30V
C10	12-10001-332	CAP, CER .0033uf 50V
C11	12-30001-476	CAP, TANT 47uf 15V
C12	12-30001-105	CAP, TANT 1.uf 35V 50V
C13	12-10004-103	CAP, CER .01uf 50V
C14	12-10001-102	CAP, .001uf 50V
C15	12-30001-476	CAP, TANT 47uf 15V
C16	12-20002-108	CAP, ELECTRO 1,000uf 30V
C17	12-30001-225	CAP, TANT 2.2uf 25V
C18	12-30001-225	CAP, TANT 2.2uf 25V
C19	12-30001-105	CAP, TANT 1uf 35V
F1	24-00003-010	10A FUSE
F2	24-00003-010	10A FUSE
F3	24-00003-003	FUSE, 2A
F4	24-00003-004	FUSE, 4A
F5	24-00003-004	FUSE, 4A
*BR1	13-00100-025	DIODE BRIDGE 25A, 100V
BR2	13-00100-012	DIODE BRIDGE 12A, 100V
BR3	13-00100-002	DIODE BRIDGE 2A, 100V
D1	13-14002-001	DIODE IN4002
D2	13-14002-001	DIODE IN4002
D3	13-10752-001	DIODE ZENER IN752
D4	13-14002-001	DIODE IN4002
D5	13-14002-001	DIODE IN4002
D6	13-14002-001	DIODE IN4002
D7	13-10964-001	DIODE ZENER IN964
D8	13-14002-001	DIODE IN4002
D9	13-14002-001	DIODE IN4002
D10	13-14002-001	DIODE IN4002
D11	13-14002-001	DIODE IN4002
D12	13-14002-001	DIODE IN4002
LED1	13-00001-001	LED (RED)
LED2	13-00001-001	LED (RED)
LED3	13-00001-001	LED (RED)
LED4	13-00001-001	LED (RED)
U1	15-62500-001	OPTO COUPLER H11AA2
U2	15-50556-001	TIMER (DUAL) 556
U3	15-50723-001	VOLTAGE REGULATOR 723
U4	15-50723-001	VOLTAGE REGULATOR 723
REG1	15-57912-001	VOLTAGE REGULATOR 7912
REG2	15-57905-001	VOLTAGE REGULATOR 79L05
Q1	14-22905-001	TRANSISTOR 2N2905
Q2	14-22905-001	TRANSISTOR 2N2905
Q3	14-22905-001	TRANSISTOR 2N2905
Q4	14-22905-001	TRANSISTOR 2N2905

POWER SUPPLY BOARD

FIGURE 16

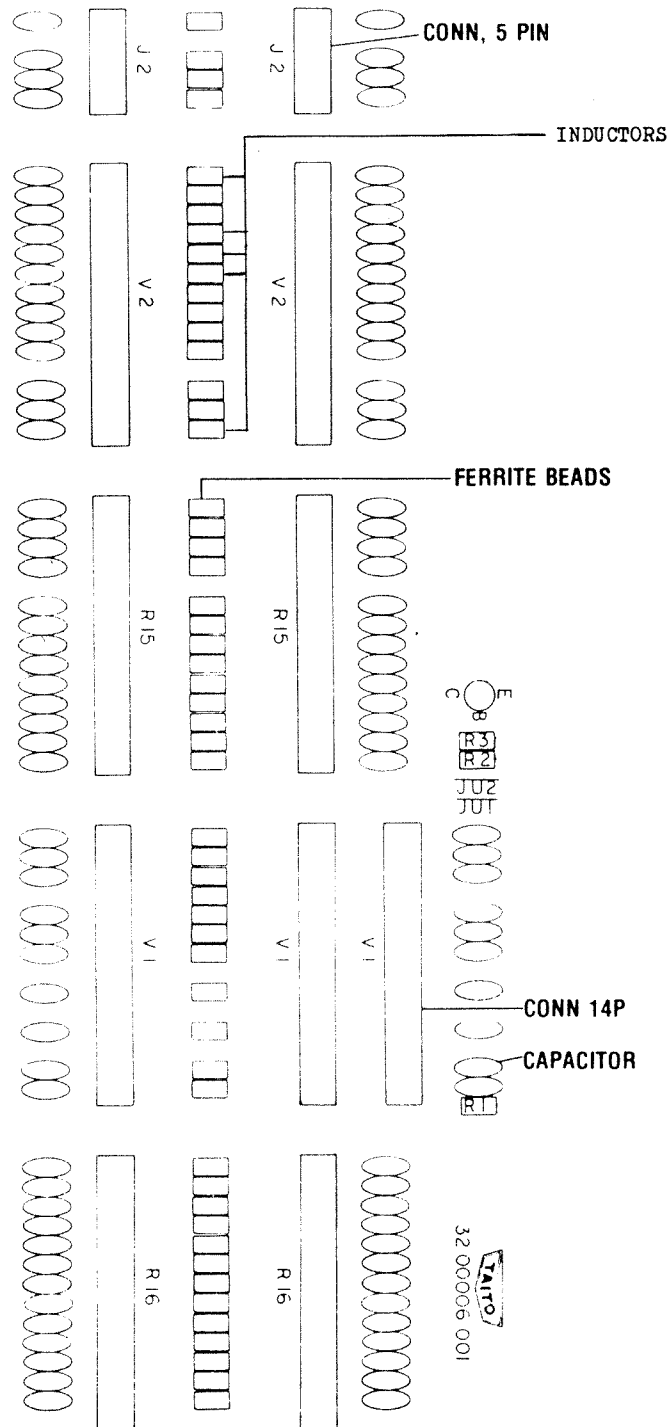
SYM	TAITO PART NO.	DESCRIPTION
Q5	14-23055-001	TRANSISTOR 2N3055
Q6	14-22905-001	TRANSISTOR 2N2905
Q7	14-20030-001	TRANSISTOR TIP-30A
Q8	14-26401-001	SCR 2N6401
Q9	14-26401-001	SCR 2N6401
J1	25-00022-006	CONNECTOR, 6PIN
J2	25-00022-008	CONNECTOR, 8PIN
J3	25-00002-014	CONNECTOR, 14PIN
J4	25-00002-014	CONNECTOR, 14PIN
*	24-10001-001	FUSE CLIPS
*	30-00220-002	HEAT SINK DUAL TO-220
*	30-00003-001	HEAT SINK SINGLE TO-3
*	30-00005-001	HEAT SINK 3" FIN
*	51-02002-011	BOLT
*	54-02002-001	NUT
D13	13-16276-001	TRANSORB IN6276
D14	13-16281-001	TRANSORB IN6281
D17	13-16267-001	TRANSORB IN6267
*BR1	32-00004-001	PCB REGULATOR
*	13-00100-025	DIODE BRIDGE 25A, 100V
*	30-00007-001	HEAT SINK FOR BR1

* Item not shown on drawing.

FILTER BOARD

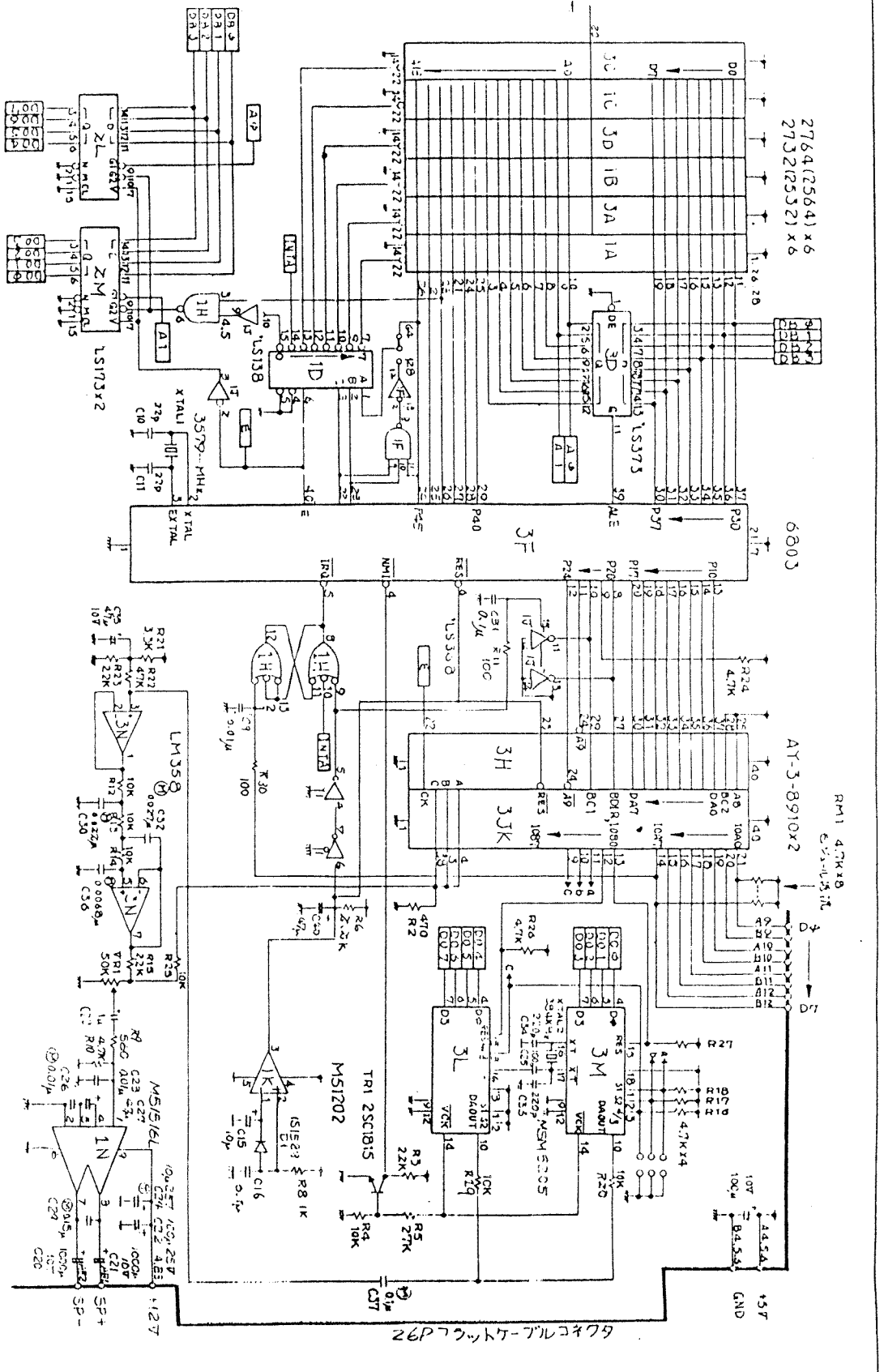
FIGURE 20

ITEM	TAITO PART NO.	DESCRIPTION	QUANTITY
1	12-10001-471	CAP, 470PF ± 10% AXIAL LEAD	36
2	17-00001-001	FERRITE BEAD ASSEMBLY	18
3	25-00002-014	CONNECTOR 14P	9
4	25-00002-005	CONNECTOR 5P	2
5	63B00068-001	STAND OFF	6
6	17-10001-001	10 UH INDUCTOR	5



TOP PCB (M52-Sound G)

FIGURE 20

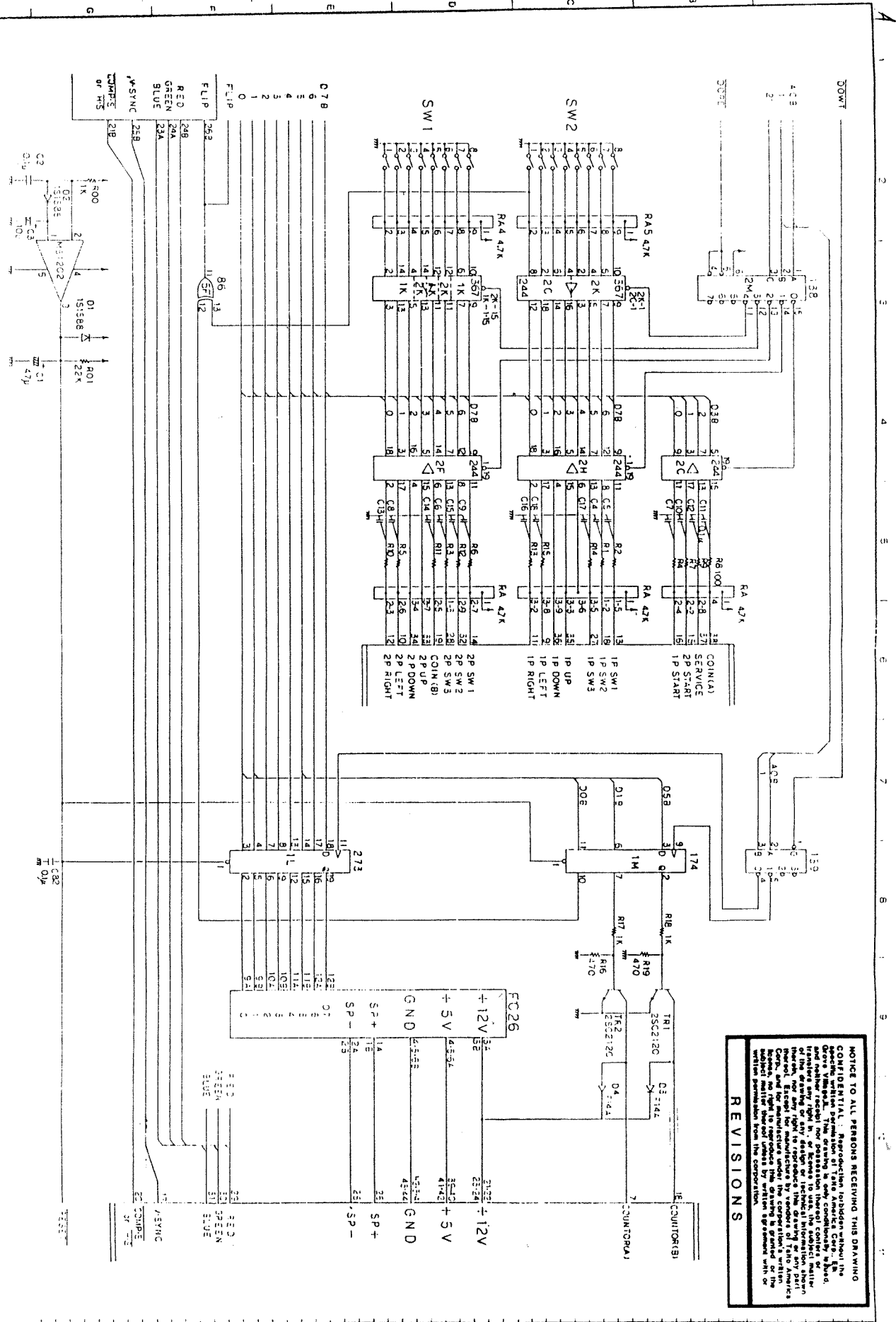


NOTICE TO ALL PERSONS RECEIVING THIS DRAWING

CONFIDENTIAL. Reproduction forbidden without the specific written permission of Taha America Corp. No part of this drawing may be reproduced, stored in a retrieval system, or transmitted in any form or by any means, electronic, mechanical, photocopying, recording, or by any information storage and retrieval system, without the prior written permission of Taha America Corp. and for manufacturer under the copyright of Taha America Corp. No part of this drawing may be reproduced, stored in a retrieval system, or transmitted in any form or by any means, electronic, mechanical, photocopying, recording, or by any information storage and retrieval system, without the prior written permission of Taha America Corp.

REVISIONS

FIGURE 22



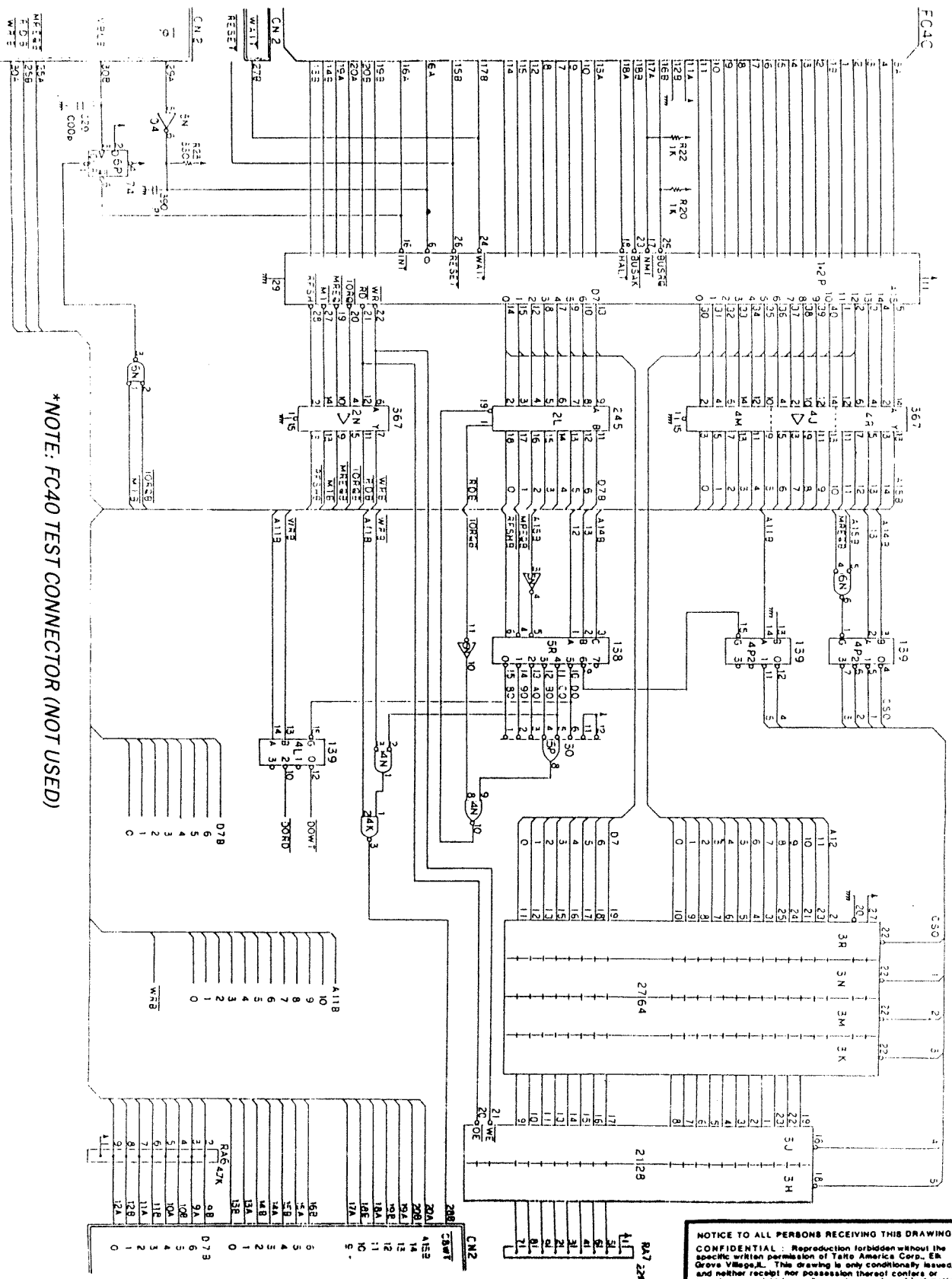
*NOTE: FC26 RIBBON CABLE (26 PIN)

REVISIONS

NOTICE TO ALL PERSONS RECEIVING THIS DRAWING
 CONFIDENTIAL: Reproduction is prohibited without the
 express written permission of Telex America Corp. The
 drawing is the property of Telex America Corp. and
 shall remain the property of Telex America Corp. No
 part of this drawing or the information contained hereon
 may be disclosed, in any form, to any person, firm,
 or organization, without the express written permission
 of Telex America Corp. This drawing is the property of
 Telex America Corp. and shall remain the property of
 Telex America Corp. No part of this drawing or the
 information contained hereon may be disclosed, in any
 form, to any person, firm, or organization, without
 the express written permission of Telex America Corp.
 This drawing is the property of Telex America Corp.
 and shall remain the property of Telex America Corp.
 No part of this drawing or the information contained
 hereon may be disclosed, in any form, to any person,
 firm, or organization, without the express written
 permission of Telex America Corp.

CENTER PCB (M58-A-A) 2 of 4

FIGURE 22



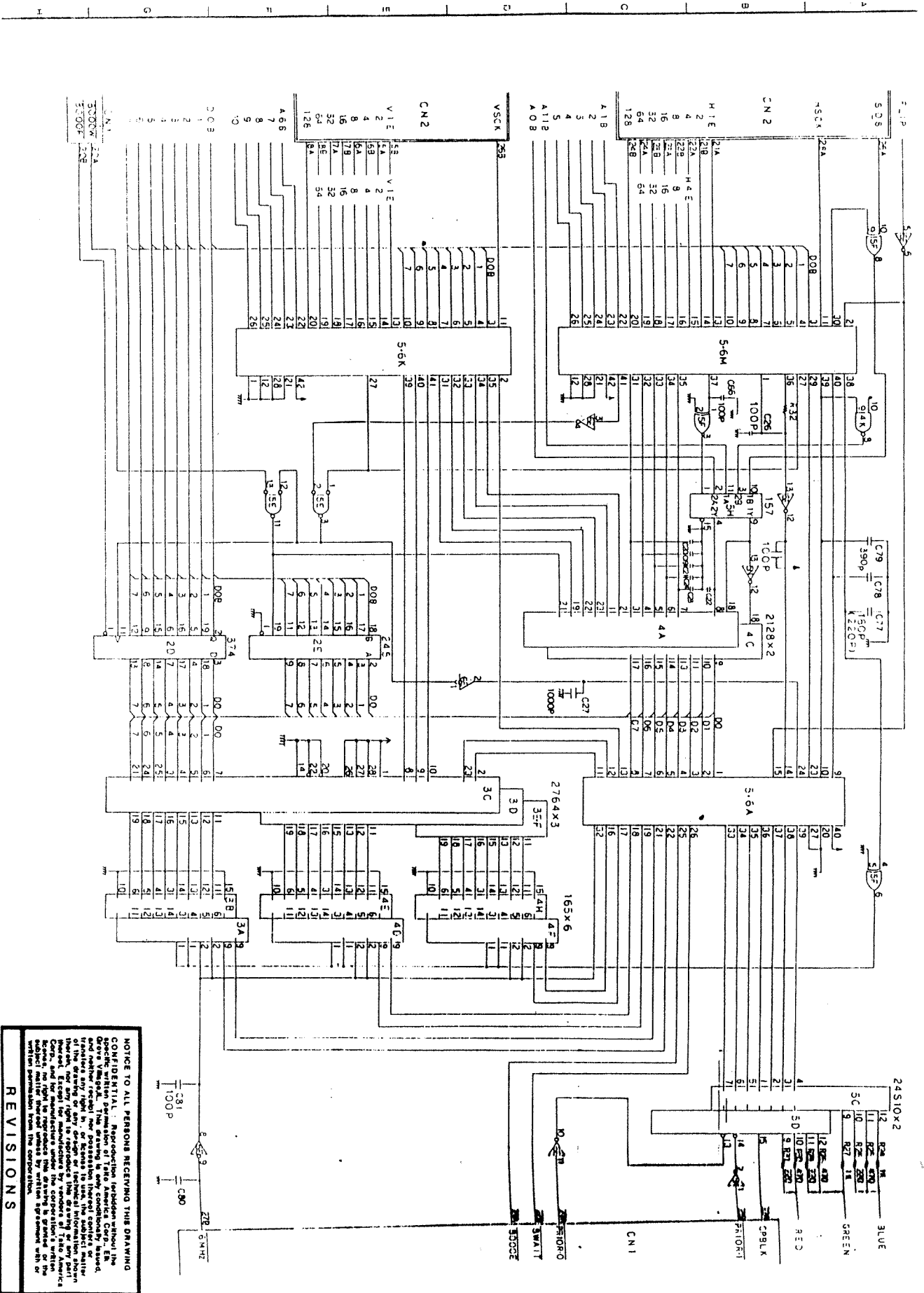
*NOTE: FC40 TEST CONNECTOR (NOT USED)

NOTICE TO ALL PERSONS RECEIVING THIS DRAWING
CONFIDENTIAL : Reproduction forbidden without the specific written permission of Tatro America Corp., Elk Grove Village, IL. This drawing is only conditionally issued, and neither receipt nor possession thereof confers or transfers any right in, or license to use, the subject matter of the drawing or any design or technical information shown therein, nor any right to reproduce this drawing or any part thereof. Except for manufacture by vendors of Tatro America Corp., and for manufacture under the corporation's written license, no right to reproduce this drawing is granted or the subject matter thereof unless by written agreement with or written permission from the corporation.

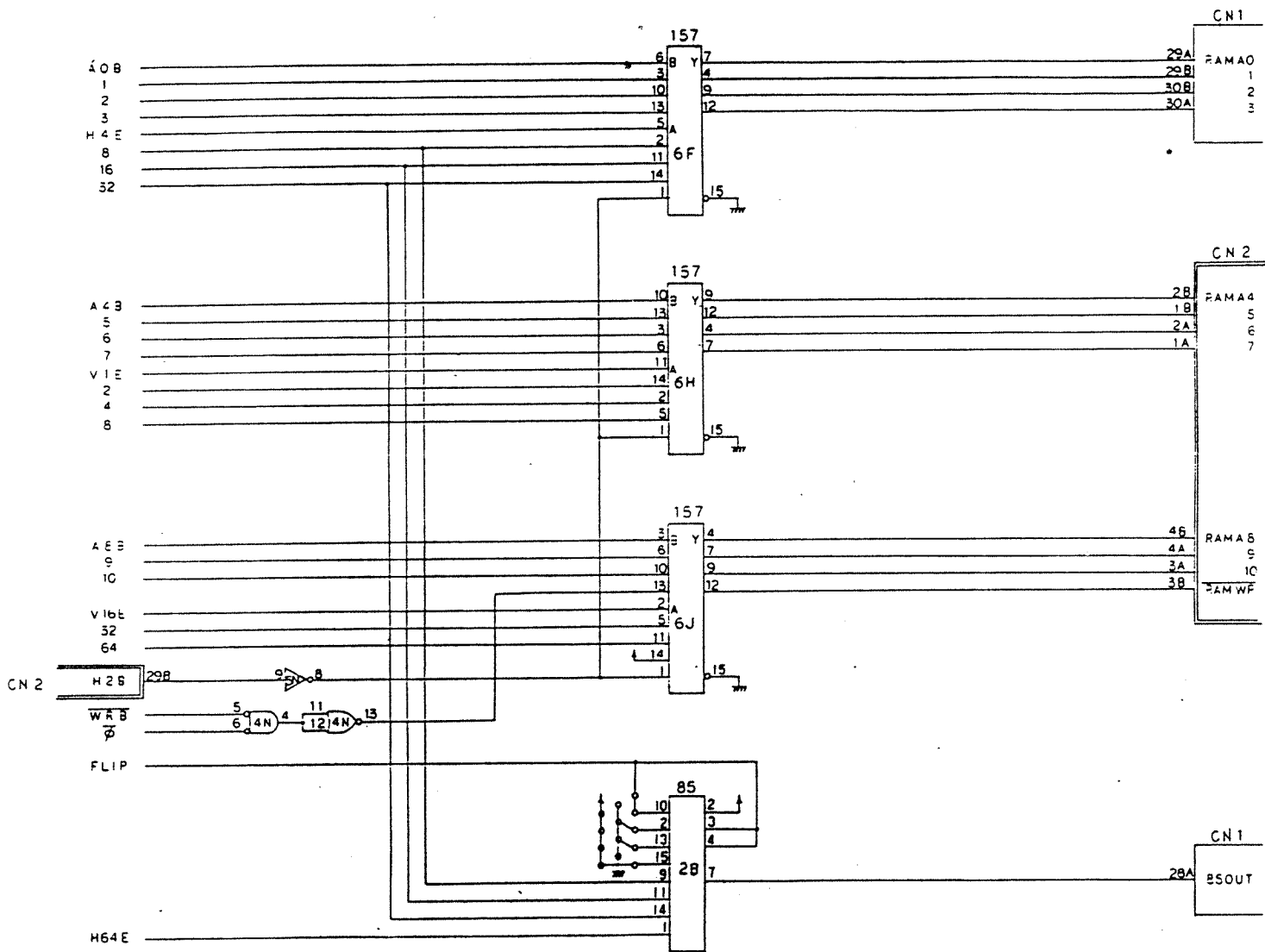
REVISIONS

CENTER PCB (M58-A-A) 3 of 4

FIGURE 22

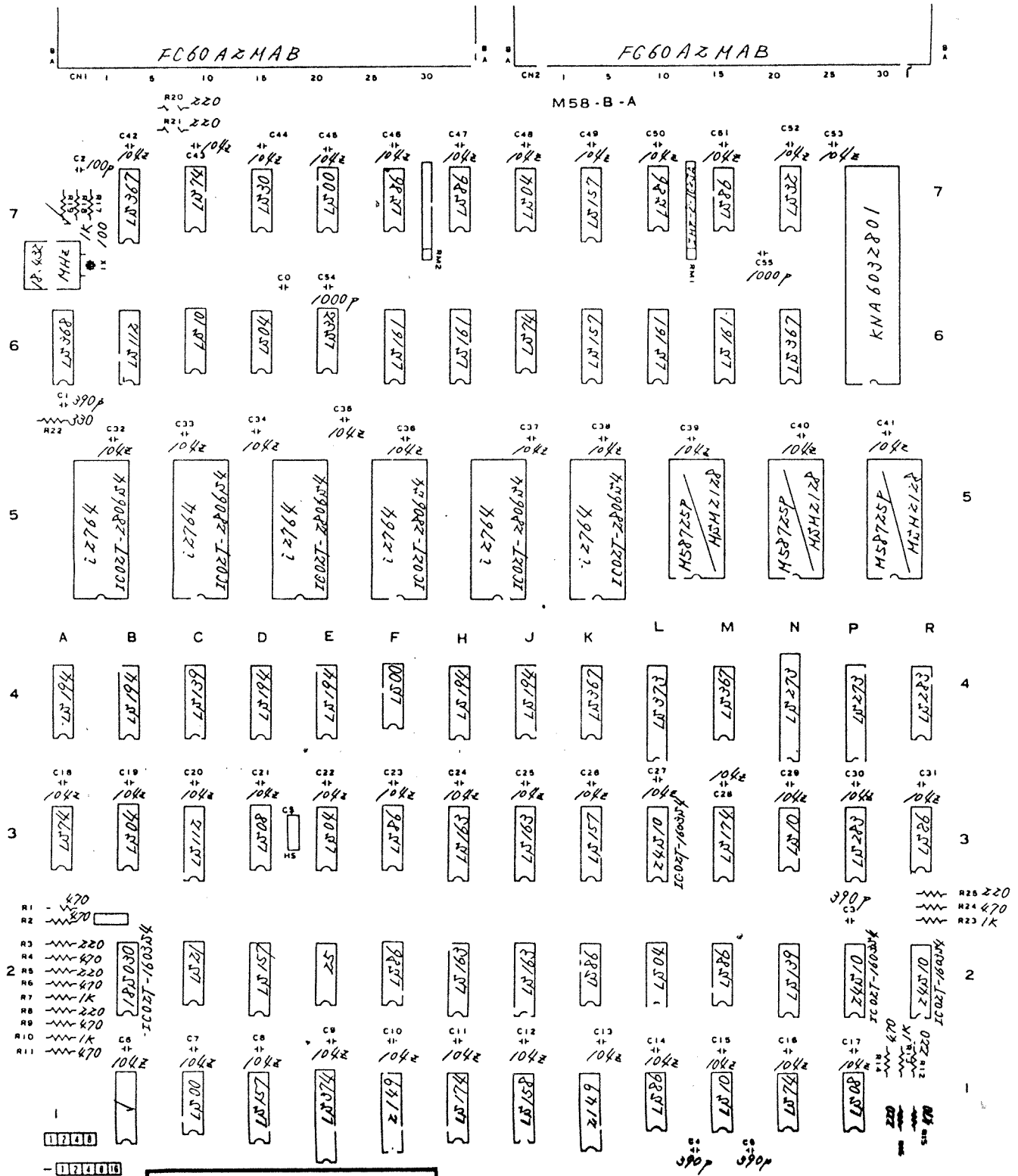


CENTER PCB (M58-A-A) 4 of 4
FIGURE 22



BOTTOM PCB (M58-B-A)

FIGURE 23



NOTICE TO ALL PERSONS RECEIVING THIS DRAWING
 CONFIDENTIAL: Reproduction forbidden without the specific written permission of Teiko America Corp., Elk Grove Village, IL. This drawing is only conditionally issued, and neither receipt nor possession thereof confers or transfers any right in, or license to use, the subject matter of the drawing or any design or technical information shown therein, nor any right to reproduce this drawing or any part thereof. Except for manufacture by vendors of Teiko America Corp., and for manufacture under the corporation's written license, no right to reproduce this drawing is granted or the subject matter thereof unless by written agreement with or written permission from the corporation.

REVISIONS

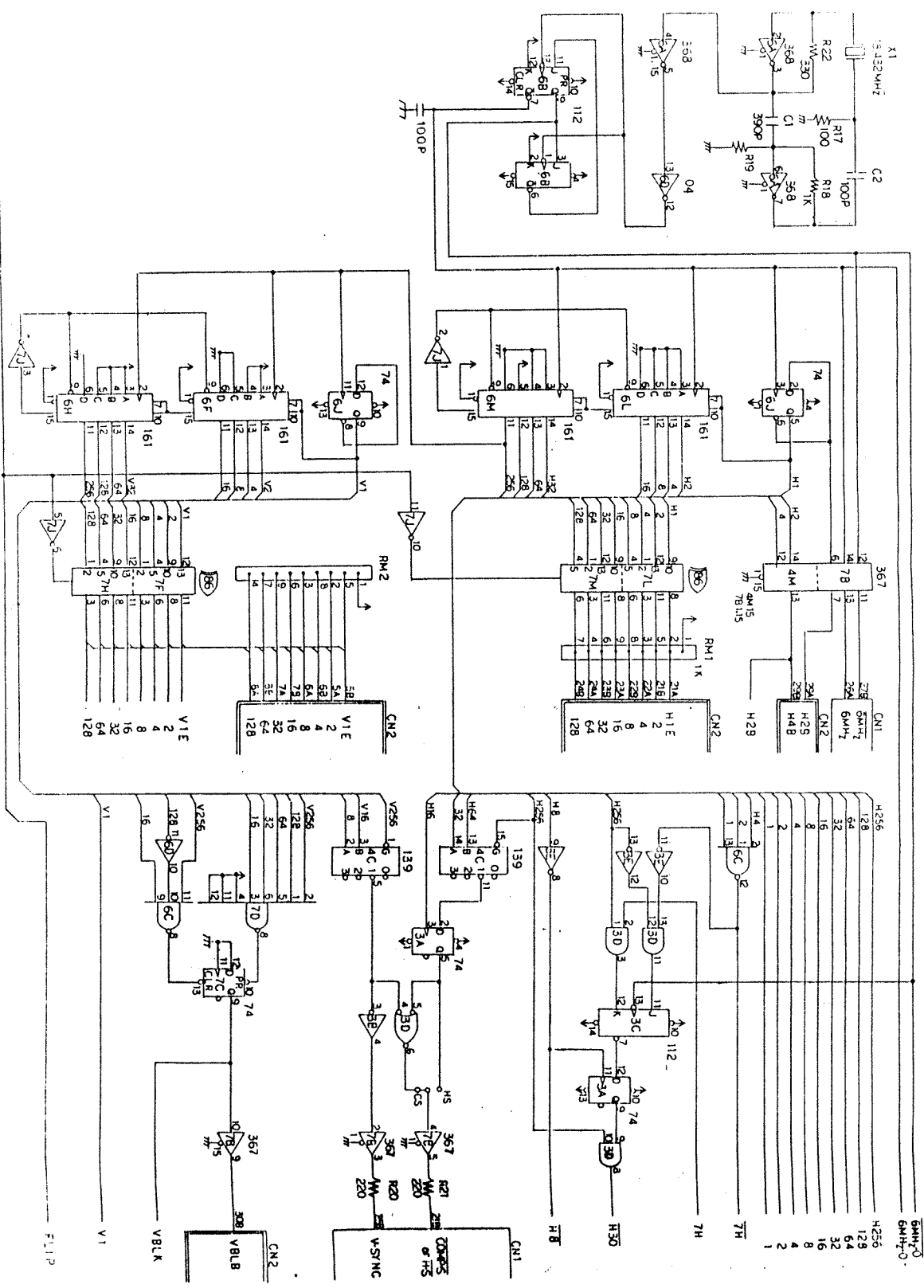
FIGURE 24

NOTICE TO ALL PERSONS RECEIVING THIS DRAWING

CONFIDENTIAL - Reproduction forbidden without the specific written permission of Taito America Corp., Elk Grove Village, IL. This drawing is only conditionally issued, and neither receipt nor possession thereof confers or transfers any right in, or license to use, the subject matter of the drawing or any design or technical information shown therein, nor any right to reproduce this drawing or any part thereof. Except for manufacture by vendors of Taito America Corp., and for manufacture under the corporation's written license, no right to reproduce this drawing is granted or the subject matter thereof unless by written agreement with or written permission from the corporation.

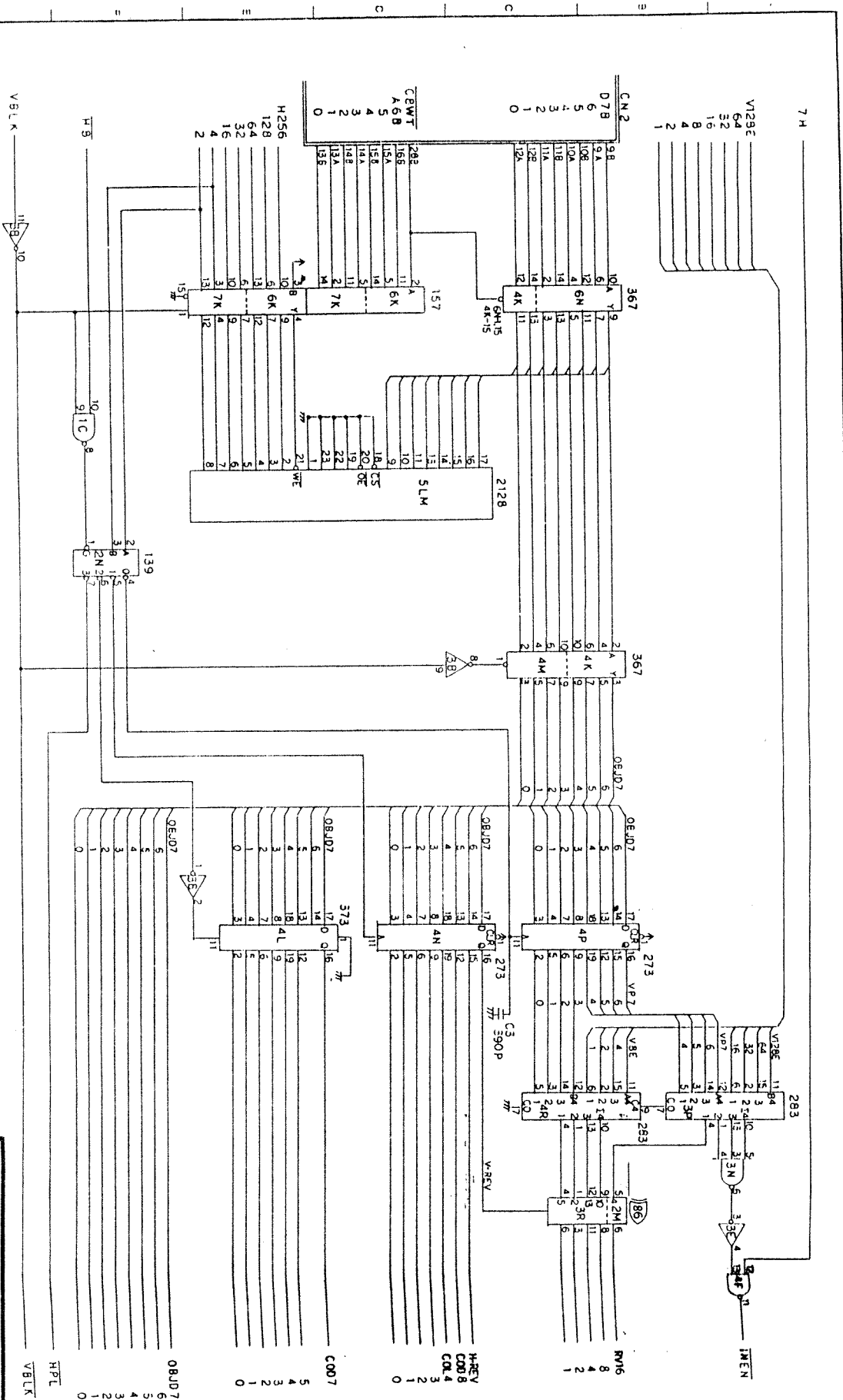
REVISIONS

FLIP



BOTTOM PCB (M58-B-A) 2 of 5

FIGURE 24



NOTICE TO ALL PERSONS RECEIVING THIS DRAWING
 CONFIDENTIAL - Reproduction forbidden without the
 specific written permission of Teco America Corp. The
 information contained herein is the property of Teco
 America Corp. and is to be used only for the specific
 purpose intended by or for Teco America Corp. It
 is not to be distributed, copied, or otherwise
 made available to any other person without the
 written permission of Teco America Corp. The
 information contained herein is the property of Teco
 America Corp. and is to be used only for the
 specific purpose intended by or for Teco America
 Corp. It is not to be distributed, copied, or
 otherwise made available to any other person
 without the written permission of Teco America
 Corp.

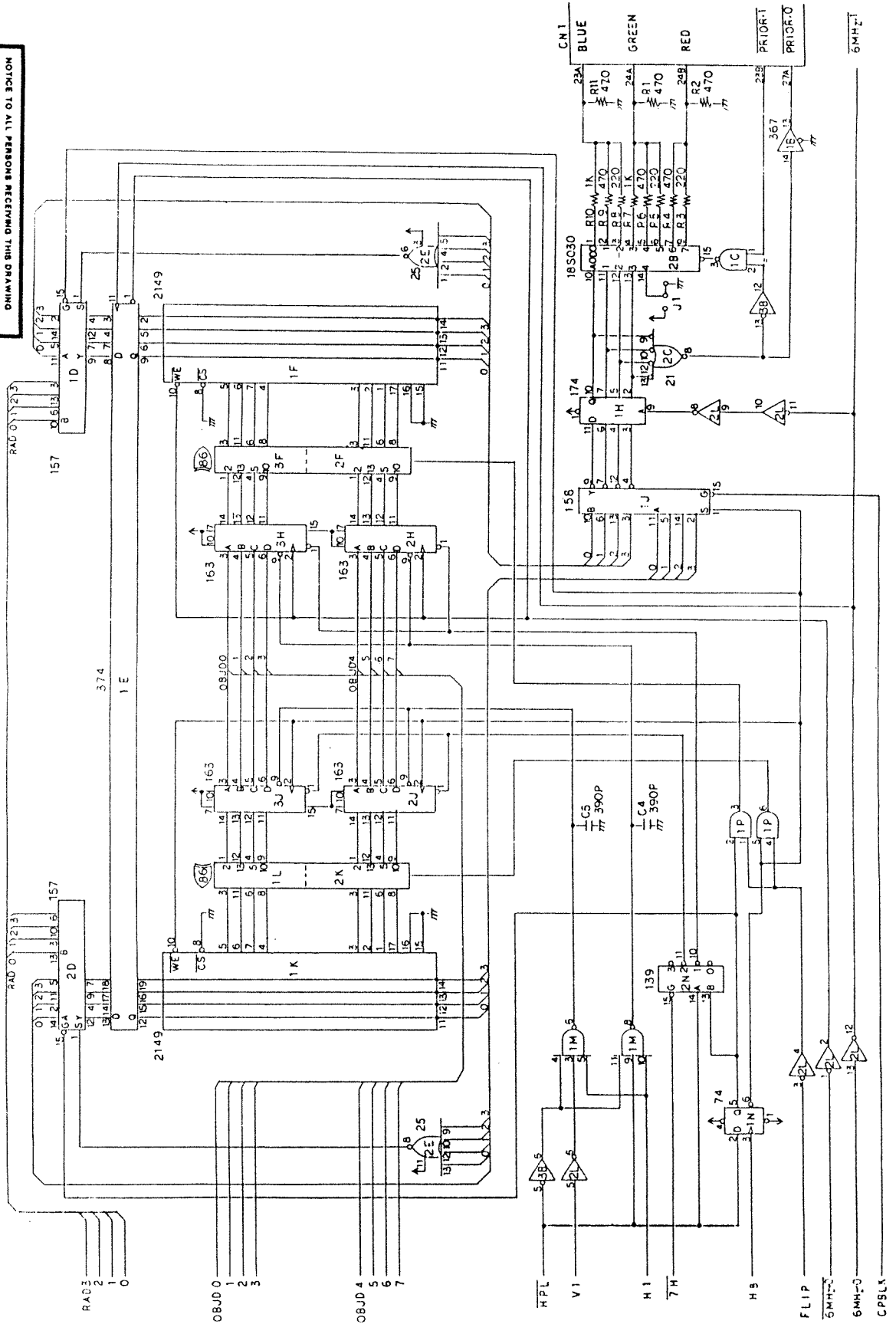
REVISIONS

BOTTOM PCB (M58-B-A) 4 of 5

FIGURE 24

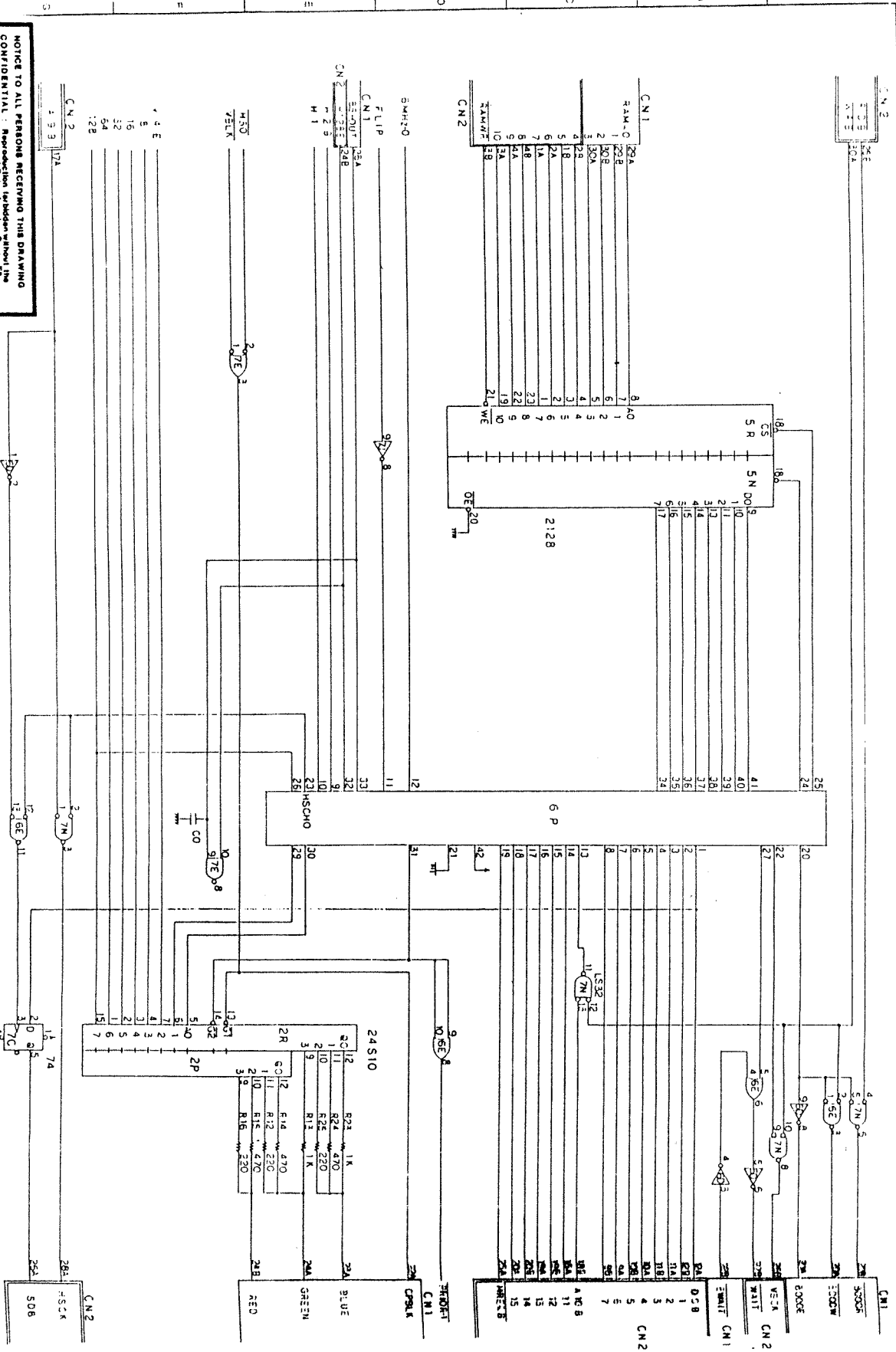
REVISIONS

NOTICE TO ALL PERSONS RECEIVING THIS DRAWING
 CONFIDENTIAL: Reproduction forbidden without the
 express written permission of the originator. This
 drawing is the property of the originator and is to be
 used only for the purpose specified. It is to be
 returned to the originator when no longer needed.
 and neither receipt nor possession thereof confers or
 implies any authority to reproduce or to disseminate
 the drawing or any design or technical information
 thereon, nor any right to reproduce this drawing or any part
 thereof, in whole or in part, in any form or by any
 means, electronic, mechanical, photocopying, recording,
 or by any information storage and retrieval system.
 Requests for permission to reproduce this drawing in whole
 or in part should be directed to the originator. No
 written permission shall be given without the
 express written permission of the originator.



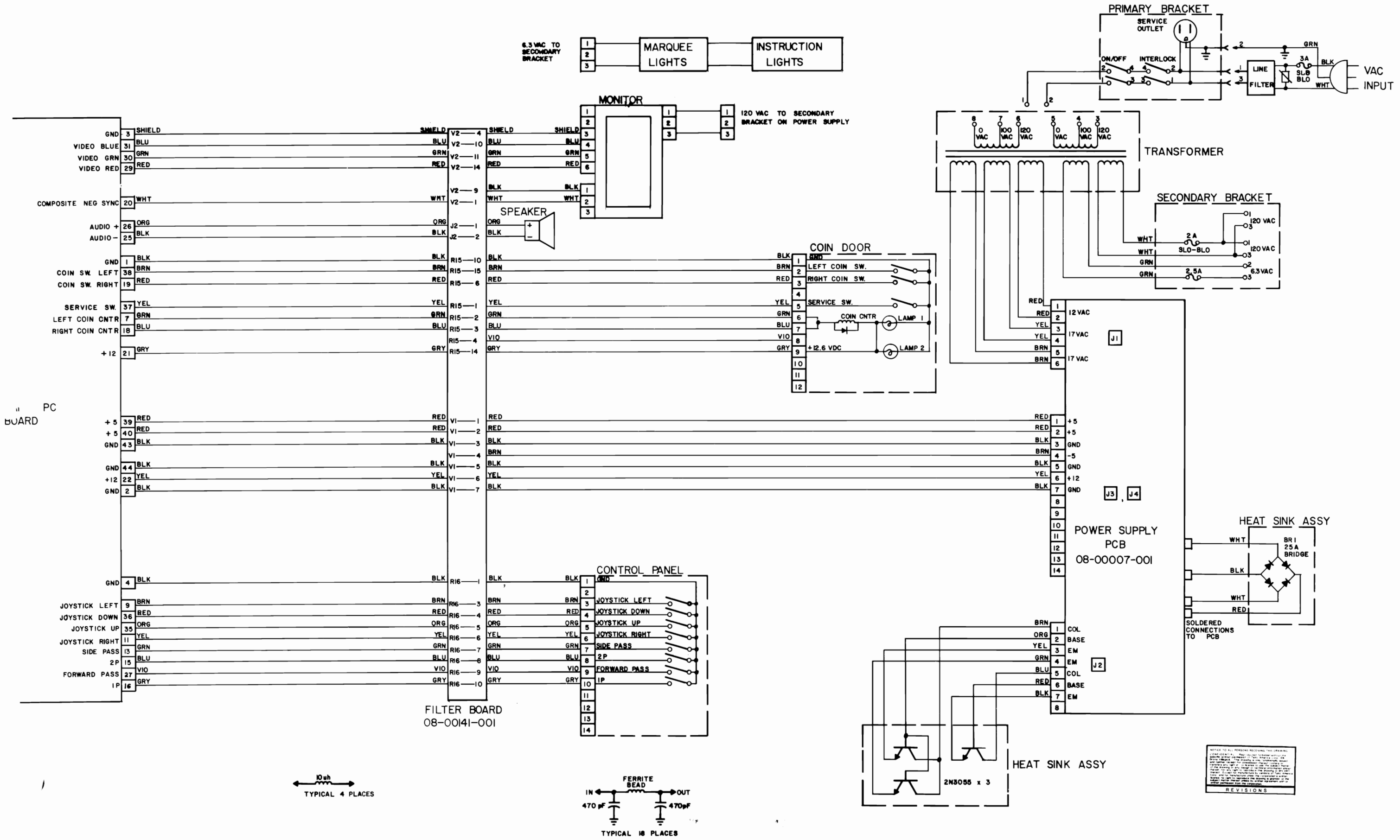
BOTTOM PCB (M58-B-A) 5 of 5

FIGURE 24



REVISIONS

WIRING DIAGRAM



10uh
TYPICAL 4 PLACES

FERRITE BEAD
IN OUT
470pF 470pF
TYPICAL 18 PLACES

NOTICE TO ALL PERSONS RECEIVING THIS DRAWING:
This drawing is the property of the manufacturer and is not to be reproduced, stored in a retrieval system, or transmitted in any form or by any means, electronic, mechanical, photocopying, recording, or by any information storage and retrieval system, without the prior written permission of the manufacturer.
REVISIONS



WARRANTY

TAITO AMERICA CORPORATION warrants that its printed circuit boards and parts are free from defects in material and workmanship under normal use and service for a period of ninety (90) days from the date of shipment. Seller warrants that its monitors are free from defects in material and workmanship under normal use for a period of thirty (30) days from the date of shipment. The factory also warrants all socketed parts for a period of ninety (90) days when furnished with the game serial number.

If the above products fail to conform to this Warranty Taito America Corporation has the option to repair, replace, or credit the Buyer's account.

The Buyer must notify Taito America Corporation in writing upon finding the defective product. Buyer must also return the defective product prepaid to Taito America Corporation's factory located in Elk Grove Village, Illinois.

If Taito America Corporation determines upon examining the returned product that damage was caused by accident, misuse, neglect, modification, or improper repair or testing, this Warranty will be void.

In no event will Taito America Corporation be held for loss of profits to Buyer.



TAITO AMERICA CORPORATION
1256 Estes Avenue, Elk Grove Village, IL 60007
Telephone (312) 981-1000 Telex 25-3290