

GAME NO. 730 & NO. 749
APRIL 1979

MIDWAY'S BOWLING ALLEY PARTS CATALOG



NO. 730 UPRIGHT



NO. 749 COCKTAIL TABLE



MIDWAY MFG. CO.

A BALLY COMPANY

10750 WEST GRAND AVENUE
FRANKLIN PARK, ILLINOIS 60131
U.S.A.

PHONE: (312) 451-1360 CABLE ADDRESS: MIDCO TELEX NO.: 72-1596

TABLE OF CONTENTS

| | Page No. |
|--|----------|
| GENERAL INSTRUCTIONS — UPRIGHT | 1 |
| GENERAL INSTRUCTIONS — COCKTAIL | 2 |
| SWITCH ADJUSTMENTS | 3 |
| NO. 730 BOWLING ALLEY UPRIGHT — PICTURE | 4—6 |
| ADDITIONAL PARTS LIST — UPRIGHT | 7 |
| NO. 749 BOWLING ALLEY COCKTAIL — PICTURE | 8—10 |
| PLAYER CONTROL ASSEMBLY | 12—15 |
| FRONT DOOR ASSEMBLY | 16—17 |
| TRANSFORMER BOARD ASSEMBLY | 18—19 |
| GAME BOARD COMPONENTS LAYOUT — C VERSION | 20 |
| GAME BOARD COMPONENTS LAYOUT — D VERSION | 21 |
| GAME BOARD COMPONENTS LAYOUT — A VERSION | 22 |
| MOTHER BOARD COMPONENTS LAYOUT | 23 |
| POWER SUPPLY COMPONENTS LAYOUT | 24 |
| POWER SUPPLY SCHEMATIC | 25 |
| MONITOR SCHEMATIC (MOTOROLA) | 26 |
| MONITOR SCHEMATIC (WELLS-GARDNER) | 27 |
| WELLS-GARDNER REPLACEMENT PARTS LIST | 28—29 |

WARNING

THIS GAME MUST BE GROUNDED. FAILURE TO DO SO MAY RESULT IN DESTRUCTION TO ELECTRONIC COMPONENTS.

GENERAL INSTRUCTIONS FOR "BOWLING ALLEY"

INSTALLATION:

1. Remove shipping cleats located on bottom of cabinet.
2. Install 4 provided leg levelers to bottom of cabinet and level cabinet.
3. The power is controlled by a switch located on top of the cabinet. Plug into A.C. only, 115 volts, 60 cycles. In low line areas (105 volts or less), a boost in the output voltage of the transformer may be obtained by removing the wire from the 115 volt tap of the transformer and rewiring to the 105 volt position.

LINE VOLTAGE SAFETY SWITCH:

A line voltage safety switch has been provided for your protection. It is located on the left rear side of the cabinet in the upper back door area. When the back door is removed, it opens the circuit to the line voltage. To restore power (when servicing), pull switch fully out.

VOLTAGE CONTROL POTS:

Located on Power Supply Board (P.C. A080-90400-F000) and is preset at the factory. These pots should not be tampered with unless the Distributor Service Department is contacted.

VOLUME CONTROL POT:

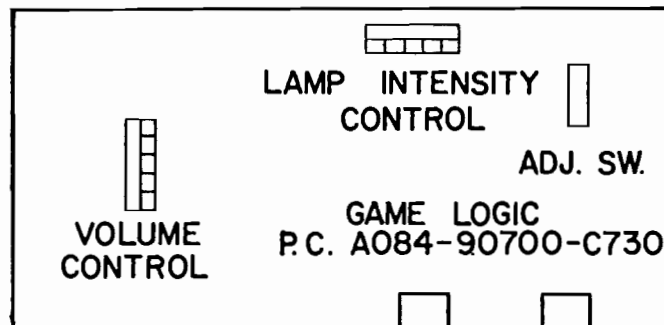
Located on Game Logic Board (P.C. A084-90700-C730) controls the volume of all sounds and may be varied as desired by rotating pot control.

LAMP INTENSITY CONTROL POT:

Located on Game Logic Board (P.C. A084-90700-C730) control the intensity of all Flash Insert and Control Panel lamps and may be varied as desired by rotating pot control.

ADJUSTMENT SWITCHES:

Located on Game Logic Board (P.C. A084-90700-C730) and may be adjusted as indicated on separate instruction sheet in back box area.



TO REMOVE CONTROL PANEL FOR SERVICE:

1. Open Coin Box Door.
2. Disconnect Control Panel jacks located to left of coin box door opening.
3. Unlatch clamp located on each side of cabinet.
4. Remove Control Panel for service.

CAUTION
CLEAN BALL WITH ALCOHOL OR SIMILAR SOLUTION ONLY.
DO NOT LUBRICATE OR WAX BALL, OR THE THREE BALL TRANSFERS.

GENERAL INSTRUCTIONS FOR "BOWLING ALLEY" COCKTAIL TABLE

INSTALLATION:

1. Remove shipping cleats located on bottom of cabinet and level cabinet.
2. Install four (4) provided leg levelers and level cabinet.
3. The power is controlled by a switch located on the bottom of the cabinet. Plus into A.C. only, 115 volts, 60 cycles. In low line areas (105 volts or less) a boost in the output voltage of the transformer may be obtained by removing the wire from the 115 volt tap of the transformer and rewiring it to the 105 volt position.

LINE VOLTAGE SAFETY SWITCH:

A Line Voltage Safety Switch has been provided for your protection. It is located in the cabinet to the left side of the coin door. When the coin door is opened, the circuit to the line voltage is interrupted. To restore power (when servicing), pull switch fully out.

VOLTAGE CONTROL POTS:

Located on Power Supply Board (P.C. A080-90400-H000) and are preset at the factory. These pots should not be tampered with unless the Distributor Service Department is contacted.

MASTER VOLUME CONTROL POT:

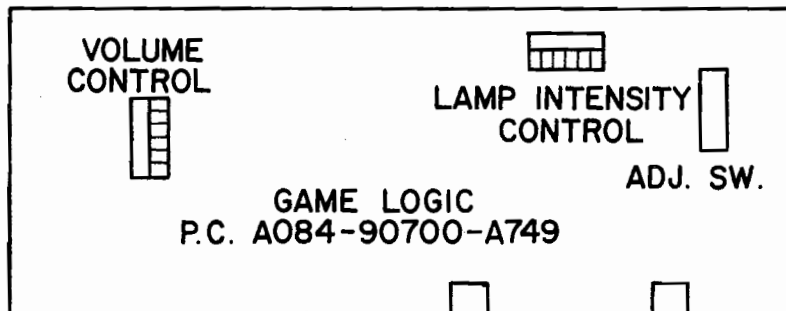
Located on Game Logic Board (P.C. A084-90700-A749) controls the volume of all sounds and may be varied as desired by rotating control pot.

ADJUSTMENT SWITCHES:

Located on Game Logic Board (P.C. A084-90700-A749) and may be adjusted as indicated on separate instruction sheet in cabinet.

LAMP INTENSITY CONTROL POT

Located on Game Logic Board (P.C. A084-90700-A749) control the intensity of Control Panel lamps and may be varied as desired by rotating Control Pot.

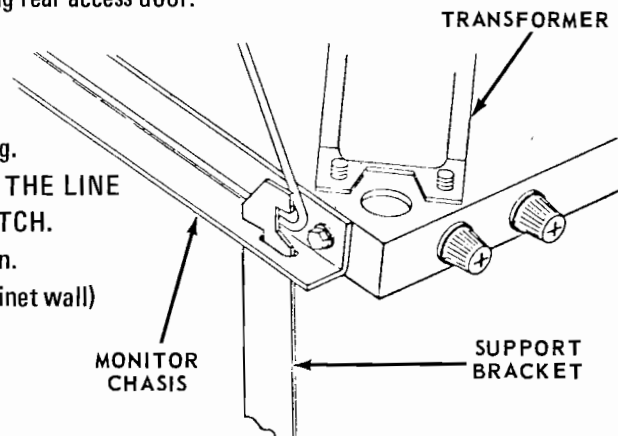


TO SERVICE GAME LOGIC BOARD:

The Game Logic Board is easily serviced by removing rear access door.

TO SERVICE MONITOR:

1. Open Coin Box Door.
2. Release two clamps located above coin door opening.
CAUTION: NEVER RELEASE CLAMPS UNLESS THE LINE VOLTAGE IS INTERRUPTED VIA SAFETY SWITCH.
3. Rotate top panel on its hinges to an upright position.
4. Place Monitor Support Bracket (located on left cabinet wall) in provided hole in Monitor Chasis.
5. To restore power pull safety switch fully out.



ADJUSTMENT SWITCHES

| LANGUAGE | | |
|-----------------|-------|-------|
| | SW. 1 | SW. 2 |
| ENGLISH | OFF | OFF |
| GERMAN | ON | OFF |
| GERMAN | ON | ON |
| FRENCH | OFF | ON |

| ATTRACT SEQUENCE SOUNDS | |
|--------------------------------|-------|
| | SW. 3 |
| SOUND ON (EVERY 17 MINUTES) | ON |
| SOUND OFF | OFF |

| TIME | |
|-------------------------------|-------|
| | SW. 4 |
| LIMITS GAME TIME TO 5 MINUTES | ON |
| NO TIME LIMIT | OFF |

| COIN | |
|--------------------|-------|
| | SW. 5 |
| 2 COINS = 1 PLAYER | ON |
| 1 COIN = 1 PLAYER | OFF |

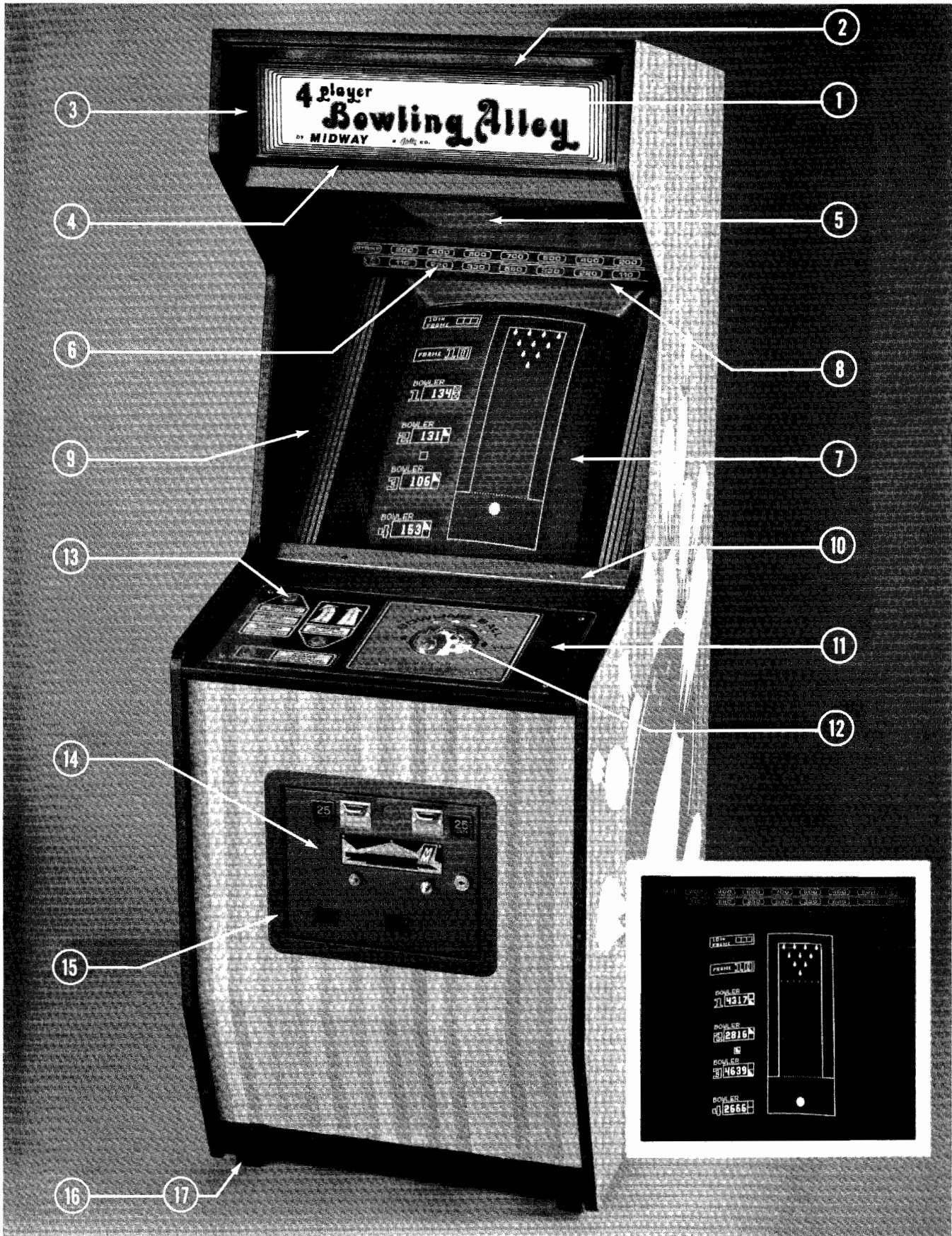
| HARD - EASY (STRIKES) | |
|------------------------------|-------|
| | SW. 6 |
| EASY | ON |
| HARD | OFF |

| GAME SELECT | |
|----------------------|-------|
| | SW. 7 |
| COCKTAIL TABLE MODEL | ON |
| UPRIGHT MODEL | OFF |

| TEST | |
|--------------|-------|
| | SW. 8 |
| RAM/ROM TEST | ON |
| PLAY MODE | OFF |

M051-00730-A011

NO. 730 – BOWLING ALLEY – PICTURE



MIDWAY MFG. CO.
A BALLY COMPANY

NO. 730 - BOWLING ALLEY - PICTURE

ORDER BY PART NUMBER ONLY

| ITEM | PART N ^o | DESCRIPTION |
|------|---------------------|--|
| 1 | 0643-00903-01SC | UPPER DISPLAY PLEX - 23-1/4 x 6-5/8 |
| 2 | 0537-00903-0007 | CYCOLAC EDGEING - 22-3/4" LG. |
| 3 | 0537-00903-0041 | CYCOLAC EDGEING - 6-1/2" LG. (2 REQ'D.) |
| 4 | 0629-00902-0400 | GLASS LIFT CHANNEL - 22-11/16" LG. |
| 5 | 0017-00009-0393 | SPEAKER GRILL & HARDWARE |
| | 0017-00003-0254 | SPEAKER |
| | 0017-00101-0642 | #8 - 32 x 1-1/2 CARRIAGE BOLTS (4 REQ'D.) |
| 6 | 0730-00902-00SC | FLASH DISPLAY |
| | 0017-00101-0742 | #8 x 1/2 PHIL TRUSS HD. S.M.S. (8 REQ'D.) |
| | 0730-00100-0000 | SOCKET BRACKET |
| | 0017-00031-0039 | LAMP SOCKET (9 REQ'D.) |
| | 0017-00101-0598 | #8 x 5/16 SLOT HEX HD. SEMS. (9 REQ'D.) |
| | 0017-00003-0219 | WEDGE BASE LAMP #194 (9 REQ'D.) |
| 7 | 0643-00900-03SC | LOWER DISPLAY PLEX - 23-1/4 x 22-1/16 x 3/16 |
| 8 | 0537-00903-0034 | CYCOLAC EDGEING - 23" LG. (2 REQ'D.) |
| 9 | 0537-00903-0020 | CYCOLAC EDGEING - 21-1/2" LG. (2 REQ'D.) |
| 10 | 0643-00111-0000 | TRIM |
| | 0017-00101-0742 | #8 x 1/2 PHIL. TRUSS HD S.M.S. (2 REQ'D.) |
| 11 | 0730-00900-00SC | CONTROL PLATE |
| | 0730-00102-0000 | LAMP PLATE (2 REQ'D.) |
| | 0730-00101-0000 | LAMP PLATE |
| | 0017-00031-0039 | LAMP SOCKET (5 REQ'D.) |
| | 0017-00003-0219 | LAMP (5 REQ'D.) |
| | 0017-00101-0598 | #8 - 32 x 5/16 HEX WASH. HD. S.T.M.S. (5 REQ'D.) |
| | 0017-00101-0017 | #6 x 1/2 HEX WASH HD. S.M.S. (12 REQ'D.) |
| 12 | 0017-00041-0614 | HARD RUBBER BALL |
| 13 | 0017-00042-0201 | PUSH BUTTON (3 REQ'D.) |
| | 0017-00042-0200 | BUTTON HOUSING (3 REQ'D.) |
| | 0017-00009-0366 | BUTTON MTG. PLATE (3 REQ'D.) |
| | A730-00008-0000 | SWITCH ASSY. (3 REQ'D.) |
| | 0020-00202-0000 | SWITCH PLATE (3 REQ'D.) |
| | 0017-00101-0054 | #5 x 1" PHIL. RD. HD. MACH. SCR. (6 REQ'D.) |
| 14 | A090-00020-20BR | DOUBLE ENTRY COIN DOOR |
| 15 | A090-00002-02BR | COIN DOOR FRAME |
| | 0017-00101-0555 | #6 - 32 x 5/16 HEX HD. S.M.S. (3 REQ'D.) |
| 16 | 0017-00102-0048 | LEG LEVELERS (4 REQ'D.) |
| 17 | 0017-00103-0026 | LEG LEVELER NUTS (4 REQ'D.) |

NO. 730 - BOWLING ALLEY - PICTURE
ORDER BY PART NUMBER ONLY

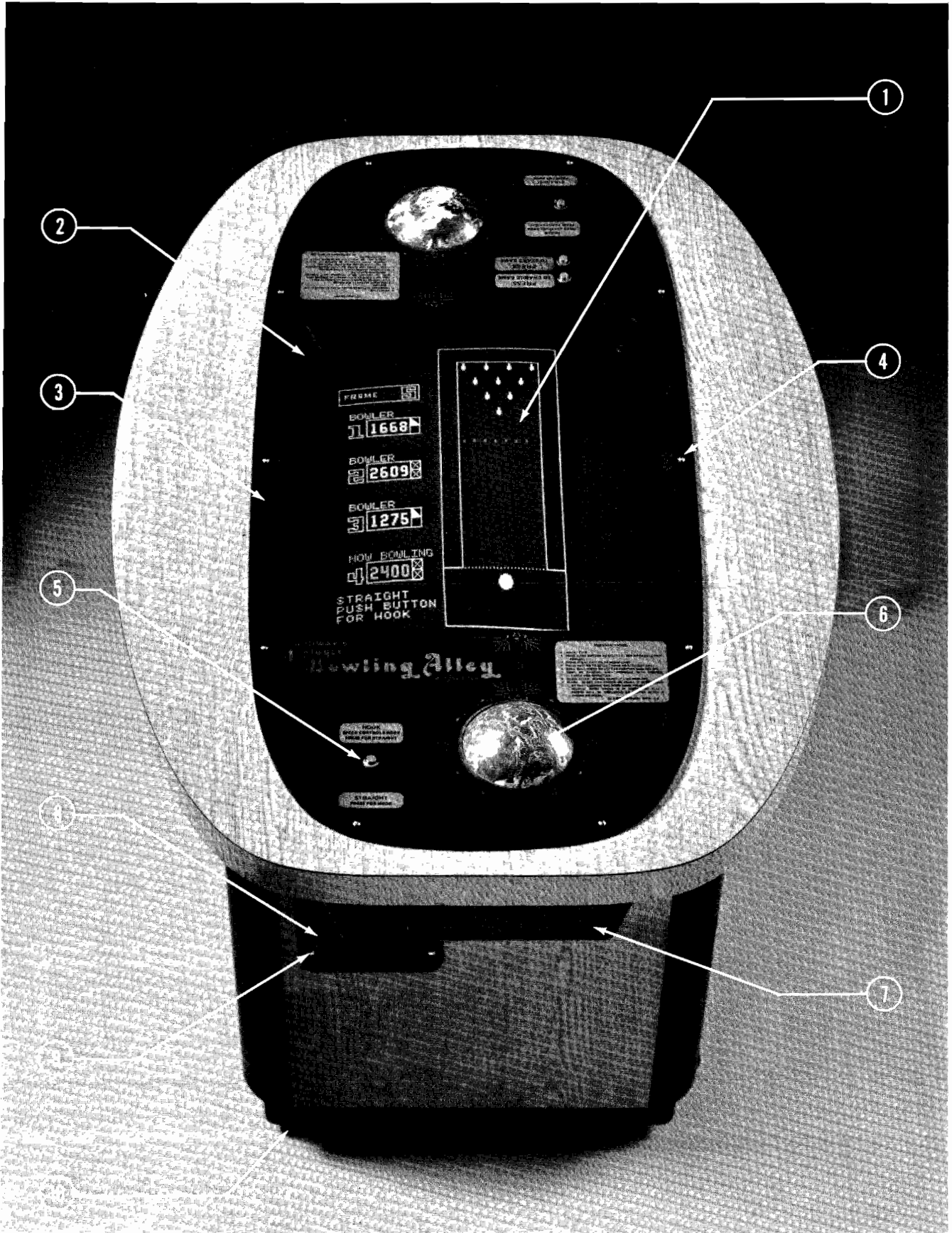
| ITEM | PART NO | DESCRIPTION |
|------|-----------------|--|
| | | <u>NOT SHOWN LIST</u> |
| | 0017-00003-0198 | 23" MONITOR CHASSIS (MOTOROLA) |
| | 0017-00003-0199 | 23" CATHODE RAY TUBE - (C.R.T.) |
| | 0592-00104-0100 | CHASSIS MTG. BRKT. - R.H. |
| | 0592-00104-0200 | CHASSIS MTG. BRKT. - L.H. |
| | 0017-00101-0637 | #8 - 32 x 1" CARRIAGE BOLTS (4 REQ'D. - TUBE, 4 REQ'D. - CHASSIS) |
| | 0017-00104-0022 | STEEL WASHER (4 REQ'D. - CHASSIS) |
| | 0161-00100-0000 | T.V. MTG. WASHER (4 REQ'D. - TUBE) |
| | 0017-00103-0061 | #8 - 32 HEX NUT - SEMS (4 REQ'D. - TUBE, 4 REQ'D. - CHASSIS) |
| | 0643-00901-0000 | T.V. BEZEL |
| | 0017-00009-0033 | BASSICK CLAMPS (2 REQ'D.) |
| | 0017-00101-0028 | #8 x 3/4 HEX HD. WD. SCR. (4 REQ'D.) |
| | 3000-17155-0000 | GROUND STRAP |
| | 0161-00002-0000 | DAG SPRING BRKT. ASSY. |
| | 0603-00131-0000 | STRIKE (2 REQ'D.) |
| | 0017-00101-0769 | #10 - 3/4 HEX HD. S.M.S. (4 REQ'D.) |
| | 0605-00104-0100 | GLASS LOCK BRKTS. (2 REQ'D.) |
| | 0017-00101-0028 | #8 x 3/4 HEX HD. WD. SCR. (4 REQ'D.) |
| | A643-00003-0000 | INSERT ASSEMBLY |
| | 0017-00031-0008 | LIGHT SOCKET (5 REQ'D.) |
| | 0017-00003-0052 | LAMP - 12V. (5 REQ'D.) |
| | 0017-00101-0010 | #6 x 3/4 SLOT. HEX HD. BLK. S.M.S. (5 REQ'D.) |
| | 0586-00036-0000 | ON-OFF SWITCH |
| | 0587-00106-0100 | SWITCH MTG. PLATE |
| | 0017-00101-0025 | #8 x 1/2 HEX HD. WD. SCR. (2 REQ'D.) |

NO. 730 – BOWLING ALLEY UPRIGHT – ADDITIONAL PARTS LIST

ORDER BY PART NUMBER ONLY

| ITEM | PART NO | DESCRIPTION |
|------|-----------------|---|
| | A643-00006-0000 | UPPER BACK DOOR ASSY. |
| | A643-00007-0000 | LOWER BACK DOOR ASSY. |
| | A097-00001-0000 | LOCK ASSY. (1 UPPER, 1 LOWER) |
| | A623-00110-0000 | COIN BOX ASSY. |
| | A623-00013-0000 | COIN BOX COVER ASSY. |
| | A624-00001-0000 | COIN BOX GUIDE BRKT. ASSY. |
| | 0624-00101-0000 | COIN BOX GUIDE BRACKET |
| | 0017-00101-0628 | #8 - 32 x 3/4 CARRIAGE BOLTS (4 REQ'D.) |
| | 0017-00104-0022 | #8 WASHER (4 REQ'D.) |
| | 0017-00103-0008 | #8 - 32 HEX NUT (4 REQ'D.) |
| | 0605-00107-0000 | FISHPAPER BARRIER |
| | 0643-00908-0000 | SPLASH GUARD |
| | 0017-00009-0009 | TURN BUTTON (4 REQ'D.) |
| | 0017-00101-0028 | #8 x 3/4 HEX HD. BLK. WD. SCR. (4 REQ'D.) |
| | 0625-00133-0080 | INTERLOCK SW. MTG. BRKT. |
| | 0017-00003-0225 | "CHEAT" INTERLOCK SWITCH |
| | A084-90700-D730 | GAME BOARD ASSY. |
| | A084-90000-K730 | MOTHER BOARD ASSY. |
| | A630-00015-0000 | TRANSFORMER BOARD ASSY. |
| | A082-90400-F000 | POWER SUPPLY ASSY. |
| | 0597-00012-0100 | P.C. SUPPORT BRKT. ASSY. – R.H. |
| | 0597-00012-0200 | P.C. SUPPORT BRKT. ASSY. – L.H. |
| | 0624-00902-0100 | P.C. SUPPORT BRKT. – 12" (4 REQ'D.) |
| | 0624-00902-0300 | P.C. SUPPORT BRKT. – 2-1/2" (2 REQ'D.) |
| | 0017-00101-0025 | #8 x 1/2 HEX HD. WD. SCR. (16 REQ'D.) |
| | 0017-00104-0037 | #8 WASHER (16 REQ'D.) |
| | 0017-00009-0419 | PIN EXTRACTOR TOOL (PIN POPPER) (MOLAX JACKS ONLY) |

NO. 749 – BOWLING ALLEY COCKTAIL – PICTURE



**NO. 749 – BOWLING ALLEY COCKTAIL – PICTURE
ORDER BY PART NUMBER ONLY**

| ITEM | PART NO | DESCRIPTION |
|------|-----------------|--|
| 1 | 0017-00003-0242 | MONITOR W/CHASSIS |
| | 0749-00104-00XF | TUBE BRKT. (4 REQ'D.) |
| | 0017-00101-0082 | #10 x 3/4 HEX HD. S.M.S. (8 REQ'D.) |
| 2 | 0749-00901-0000 | T.V. BEZEL |
| 3 | 0749-00900-00XF | PLASTIC ESCUTCHEON |
| 4 | 0017-00102-0076 | #6 - 32 x 2-1/8 CARRIAGE BOLT - BLK. NICKEL - (10 REQ'D.) |
| | 0017-00103-0005 | #6 - 32 HEX. NUT (10 REQ'D.) |
| | 0017-00104-0002 | #6 SPLIT LOCKWASHER (10 REQ'D.) |
| | 0017-00104-0026 | 1/2 x 5/32 x 1/32 STL. WASHER (10 REQ'D.) |
| 5 | 0017-00032-0051 | SWITCH W/MTG. NUT & WASHER (4 REQ'D.) |
| 6 | 0017-00041-0614 | HARD RUBBER BALL (2 REQ'D.) |
| 7 | 0749-00902-0000 | BALL HOUSING COVER (2 REQ'D.) |
| | 0017-00101-0053 | #8 x 7/8 PHIL. TRUSS HD. S.M.S. (20 REQ'D.) |
| 8 | 0017-00009-0393 | SPEAKER GRILL & HARDWARE |
| | 0017-00003-0187 | SPEAKER |
| 9 | 0017-00101-0642 | #8 - 32 x 1-1/2 CARRIAGE BOLTS (4 REQ'D.) |
| | 0017-00103-0061 | #8 - 32 HEX NUT SEMS (12 REQ'D.) |
| | 0017-00009-0393 | VENT GRILL (2 REQ'D.) |
| | 0017-00101-0639 | #8 - 32 x 1-1/4 CARRIAGE BOLTS (8 REQ'D.) |
| 10 | 0017-00102-0048 | LEG LEVELERS (4 REQ'D.) |
| | 0017-00103-0026 | LEG LEVELERS NUTS (4 REQ'D.) |
| | | <u>NOT SHOWN LIST</u> |
| | | <u>FAN ASSY.</u> |
| | 0017-00003-0222 | FAN |
| | 0775-00110-00XF | FAN PLATE |
| | 0749-00106-00XF | VENT SCREEN |
| | 0017-00101-0347 | #6 - 32 x 1/2 PHIL. R.H. M.S. S.E.M.S. (4 REQ'D.) |
| | 0017-00104-0009 | #6 EXT. WASHER (4 REQ'D.) |
| | 0017-00103-0005 | #6 - 32 HEX NUT (4 REQ'D.) |
| | 0017-00101-0026 | #8 x 5/8 SLOT. HEX HD. S.M.S. (4 REQ'D.) |
| | 0017-00009-0439 | HINGE (TOP ASSY.) (2 REQ'D.) |
| | 0017-00101-0082 | #10 x 3/4 HEX HD. S.M.S. (4 REQ'D.) |
| | 0017-00101-0014 | #6 x 7/8 OVAL HD. WD. SCR. (2 REQ'D.) |
| | 0749-00105-00XF | PROP (SUPPORT) |
| | 0017-00101-0082 | #10 x 3/4 HEX HD. S.M.S. |
| | 0017-00104-0038 | 3/4 x 1/4 x 1/16 STEEL WASHER (2 REQ'D.) |
| | 0603-00132-0000 | STRIKE (2 REQ'D.) |
| | 0017-00101-0028 | #8 x 3/4 HEX HD. S.M.S. (4 REQ'D.) |

NO. 749 – BOWLING ALLEY COCKTAIL – PICTURE

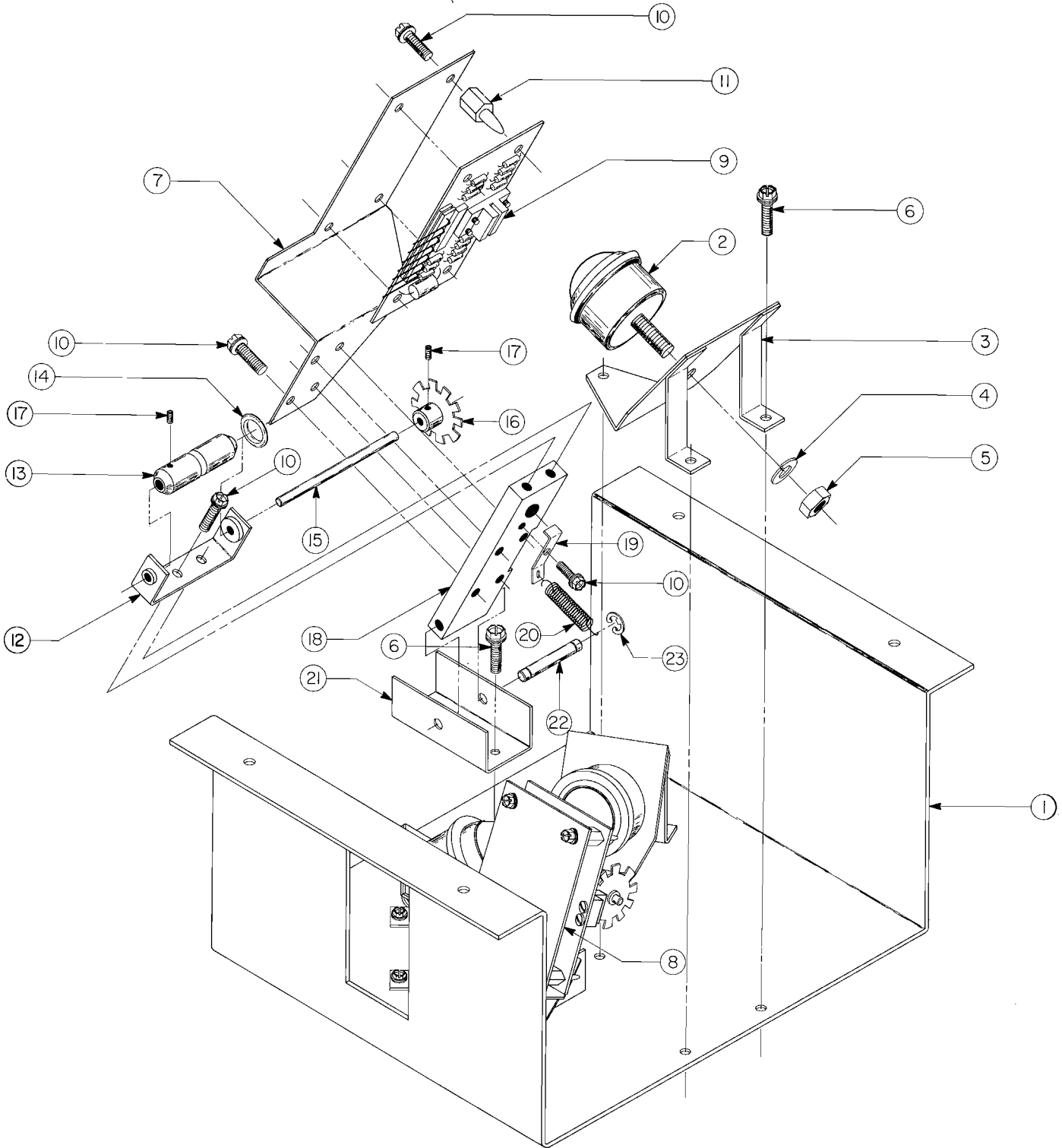
ORDER BY PART NUMBER ONLY

| ITEM | PART NO | DESCRIPTION |
|------|-----------------|--|
| | 0017-00009-0033 | BASSICK CLAMP (2 REQ'D.) |
| | 0017-00101-0026 | #8 x 5/8 HEX HD. S.M.S. (4 REQ'D.) |
| | A627-00066-0000 | ON-OFF SWITCH ASSY. |
| | 0017-00101-0017 | #6 x 1/2 HEX HD. S.M.S. (6 REQ'D.) |
| | 0017-00031-0011 | LAMP SOCKET (5 REQ'D.) |
| | 0017-00003-0052 | LAMP (5 REQ'D.) |
| | 0017-00101-0017 | #6 x 1/2 HEX HD. S.M.S. (5 REQ'D.) |
| | A090-00058-0000 | FRONT DOOR ASSY. |
| | 0017-00101-0555 | #6 - 32 x 5/16 HEX HD. S.T.M.S. (3 REQ'D.) |
| | 0090-00002-01BK | FRONT DOOR FRAME |
| | 0017-00103-0010 | #10 - 32 HEX NUT (4 REQ'D.) |
| | | <u>ADDITIONAL PARTS LIST</u> |
| | A749-00003-0000 | CASH BOX ASSY. |
| | A627-00052-0000 | CASH BOX COVER ASSY. |
| | 0625-00117-0000 | CASH BOX GUIDE |
| | A625-00024-0000 | CASH BO X GUIDE BRKT. ASSY. |
| | 0017-00101-0628 | #8 - 32 x 3/4 CARRIAGE BOLTS (4 REQ'D.) |
| | 0017-00103-0008 | #8 - 32 HEX NUT (4 REQ'D.) |
| | 0017-00003-0225 | INTERLOCK SWITCH |
| | 0749-00103-00XF | SW. BRACKET |
| | 0017-00101-0026 | #8 x 5/8 HEX HD. S.M.S. (3 REQ'D.) |
| | A082-90400-H000 | POWER SUPPLY P.C. ASSY. |
| | A749-00004-0000 | TRANSFORMER BOARD ASSY. |
| | A084-90000-K000 | MOTHER BOARD P.C. ASSY. |
| | A084-90700-A749 | GAME BOARD P.C. ASSY. |
| | 0624-00902-0100 | P.C. SUPPORT BRKT. - 12" (4 REQ'D.) |
| | 0624-00902-0400 | P.C. SUPPORT BRKT. - 4" (4 REQ'D.) |
| | 0624-00902-0500 | P.C. SUPPORT BRKT. - 6-1/2" |
| | 0017-00101-0028 | #8 x 3/4 HEX HD. S.M.S. (22 REQ'D.) |
| | 0017-00104-0037 | 3/4 x 3/16 x 1/16 STL. WASHER (22 REQ'D.) |
| | 0017-00009-0419 | PIN EXTRACTOR TOOL (PIN POPPER) |

NOTES

This space is provided for personal notes

NO. 730 – BOWLING ALLEY – PLAYER CONTROL ASSY.

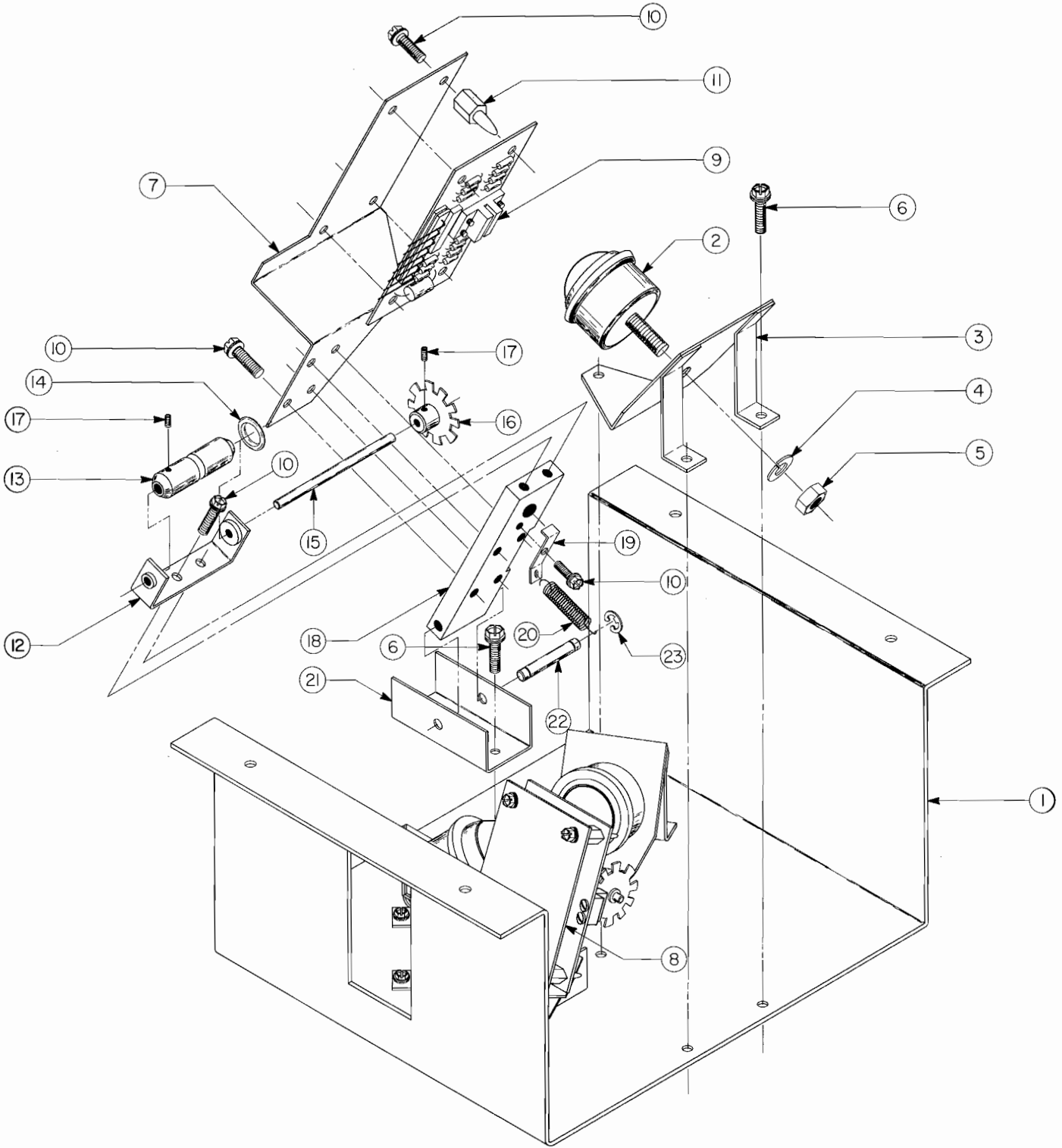


NO. 730 – BOWLING ALLEY – PLAYER CONTROL ASSY.

ORDER BY PART NUMBER ONLY

| ITEM | PART NO | DESCRIPTION |
|------|-----------------|---|
| 1 | 0643-00107-0000 | MAIN BRACKET |
| 2 | 0017-00009-0436 | CASTER (BALL TRANSFER) (3 REQ'D.) |
| 3 | A643-00014-0000 | CASTER MTG. ASSY. (3 REQ'D.) |
| 4 | 0017-00104-0005 | 1/4 LOCK WASHER (3 REQ'D.) |
| 5 | 0017-00103-0018 | 1/4 - 20 HEX NUT (3 REQ'D.) |
| 6 | 0017-00101-0598 | #8 - 32 x 5/16 HEX HD. S.T. S.M.S. (16 REQ'D.) |
| 7 | 0643-00106-0000 | P.C. BRACKET - TOP |
| 8 | 0643-00105-0000 | P.C. BRACKET - SIDE |
| 9 | A082-91323-E000 | BALL CONTROL SENSOR P.C. ASSY. (2 REQ'D.) |
| 10 | 0017-00101-0555 | #6 - 32 x 5/16 HEX HD. S.T. S.M.S. (11 REQ'D.) |
| 11 | 0017-00007-0143 | SPACER (8 REQ'D.) |
| 12 | A643-00016-0200 | BEARING BRKT. & BEARING ASSY. - HORIZONTAL |
| | A643-00016-0100 | BEARING BRKT. & BEARING ASSY. - VERTICAL - (NOT SHOWN) |
| 13 | 0643-00701-0000 | DRIVE ROLLER (2 REQ'D.) |
| 14 | 0017-00041-0615 | "O" RING – RUBBER (2 REQ'D.) |
| 15 | 0643-00702-0000 | SHAFT (2 REQ'D.) |
| 16 | A643-00010-0000 | BUSHING & DISC. ASSY. (2 REQ'D.) |
| 17 | 0017-00101-0301 | #6 - 32 x 1/8 ALLEN SET SCREW (8 REQ'D.) |
| 18 | 0643-00902-0000 | PIVOT PLATE (2 REQ'D.) |
| 19 | 0643-00103-0000 | SPRING BRACKET (2 REQ'D.) |
| 20 | 0010-00253-0000 | SPRING (2 REQ'D.) |
| 21 | 0643-00101-0000 | PIVOT BRACKET (2 REQ'D.) |
| 22 | 0643-00700-0000 | PIVOT PIN (2 REQ'D.) |
| 23 | 0017-00100-0018 | "E" RING (4 REQ'D.) |
| | | <u>NOT SHOWN LIST - MOUNTING HARDWARE</u> |
| | A643-00017-0000 | TOP PLATE & WELD SCREW ASSY. |
| | 0017-00103-0011 | #10 - 32 STOP NUT (4 REQ'D.) |
| | 0017-00104-0022 | STL. WASHER (8 REQ'D.) |
| | 0643-00904-00SC | COVER PLATE |
| | 0017-00101-0572 | #6 - 32 x 1/2 CARRIAGE BOLT (4 REQ'D.) |
| | 0017-00103-0007 | #6 - 32 WING NUT (4 REQ'D.) |
| | 0017-00104-0027 | STL. WASHER (4 REQ'D.) |
| | 0017-00104-0003 | #8 LOCK WASHER (4 REQ'D.) |
| | 0017-00101-0639 | #8 - 32 x 1-1/4 CARRIAGE BOLT (4 REQ'D.) |
| | 0017-00103-0061 | #8 - 32 HEX NUT (4 REQ'D.) |

NO. 749 – BOWLING ALLEY – PLAYER CONTROL ASSY.

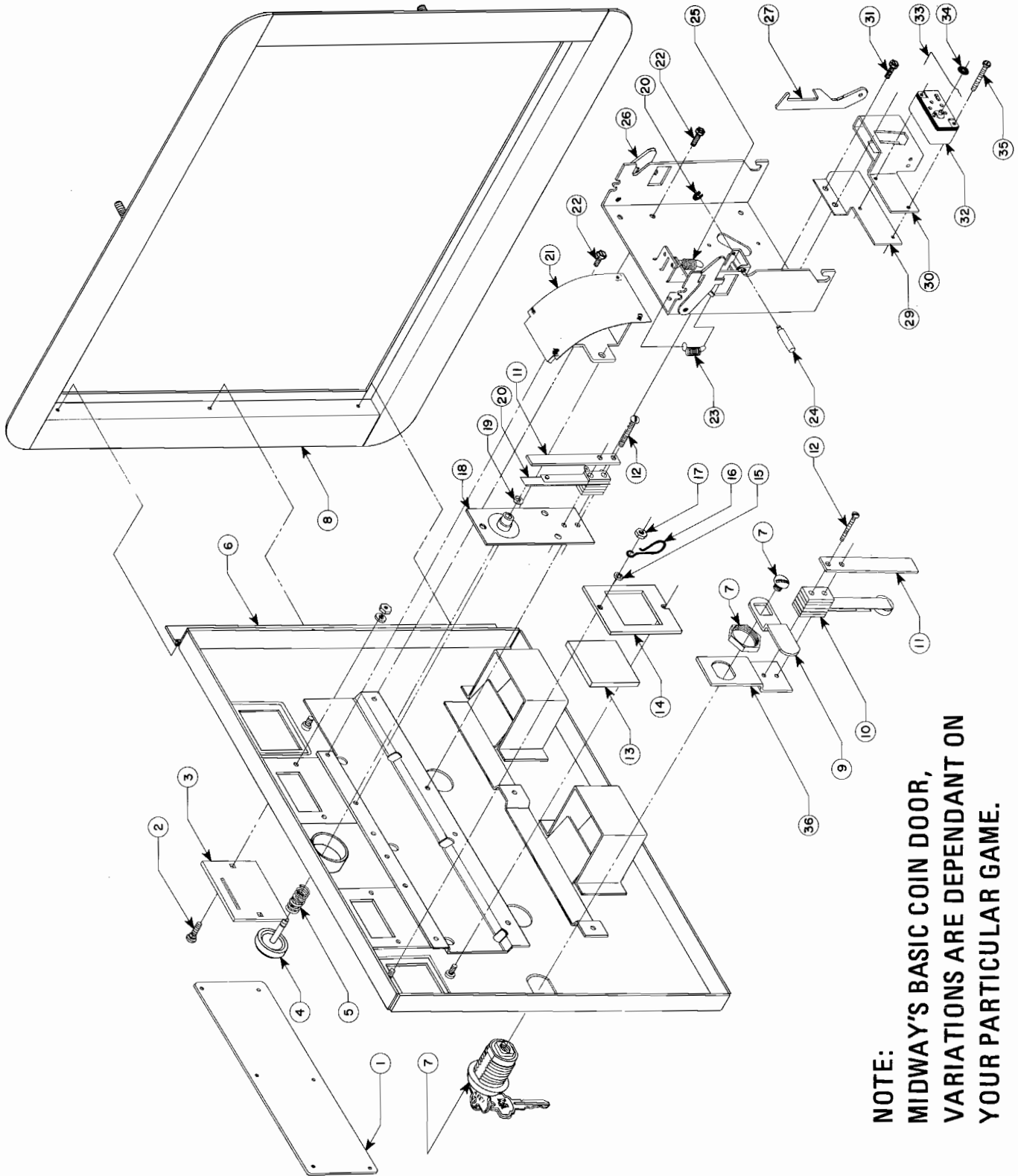


NO. 749 – BOWLING ALLEY COCKTAIL – PLAYER CONTROL ASSY.

ORDER BY PART NUMBER ONLY

| ITEM | PART NO | DESCRIPTION |
|------|-----------------|---|
| 1 | 0749-00102-00XF | MAIN BRACKET |
| 2 | 0017-00009-0436 | CASTER ASSY. (BALL TRANSFER) - (3 REQ'D.) |
| 3 | A643-00014-0000 | CASTER MTG. ASSY. (2 REQ'D.) |
| | 0749-00100-00XF | CASTER BRKT. - NOT SHOWN |
| | 0749-00101-00FX | CASTER LEG - NOT SHOWN |
| 4 | 0017-00104-0005 | 1/4 LOCK WASHER (3 REQ'D.) |
| 5 | 0017-00103-0018 | 1/4 - 20 HEX NUT (3 REQ'D.) |
| 6 | 0017-00101-0598 | #8 - 32 x 5/16 HEX HD. S.T.S. M.S. (16 REQ'D.) |
| 7 | 0643-00106-0000 | P.C. BRACKET - TOP |
| 8 | 0643-00105-0000 | P.C. BRACKET - SIDE |
| 9 | A082-91323-E000 | BALL CONTROL SENSOR P.C. ASSY. (2 REQ'D.) |
| 10 | 0017-00101-0555 | #6 - 32 x 5/16 HEX HD. S.T.S. M.S. (11 REQ'D.) |
| 11 | 0017-00007-0143 | SPACER (8 REQ'D.) |
| 12 | A643-00016-0200 | BEARING BRKT. & BEARING ASSY. - HORIZONTAL |
| | A643-00016-0100 | BEARING BRKT. & BEARING ASSY. - VERTICAL - (NOT SHOWN) |
| 13 | 0643-00701-0000 | DRIVE ROLLER (2 REQ'D.) |
| 14 | 0017-00041-0615 | "O" RING - RUBBER (2 REQ'D.) |
| 15 | 0643-00702-0000 | SHAFT (2 REQ'D.) |
| 16 | A643-00010-0000 | BUSHING & DISC. ASSY. (2 REQ'D.) |
| 17 | 0017-00101-0301 | #6 - 32 x 1/8 ALLEN SET SCREW (8 REQ'D.) |
| 18 | 0643-00902-0000 | PIVOT PLATE (2 REQ'D.) |
| 19 | 0643-00103-0000 | SPRING BRACKET (2 REQ'D.) |
| 20 | 0010-00253-0000 | SPRING (2 REQ'D.) |
| 21 | 0749-00108-00XF | PIVOT BRACKET (2 REQ'D.) |
| 22 | 0643-00700-0000 | PIVOT PIN (2 REQ'D.) |
| 23 | 0017-00100-0018 | "E" RING (4 REQ'D.) |
| | | <u>MOUNTING HARDWARE - NOT SHOWN</u> |
| | 0017-00101-0641 | #8 - 32 x 1-1/2 RD. HD. M.S. (4 REQ'D.) |
| | 0017-00104-0010 | #8 EXT. WASHER (4 REQ'D.) |
| | 0017-00104-0037 | 3/4 x 3/16 x 1/16 WASHER (4 REQ'D.) |

NO. 730 – BOWLING ALLEY – FRONT DOOR ASSY.



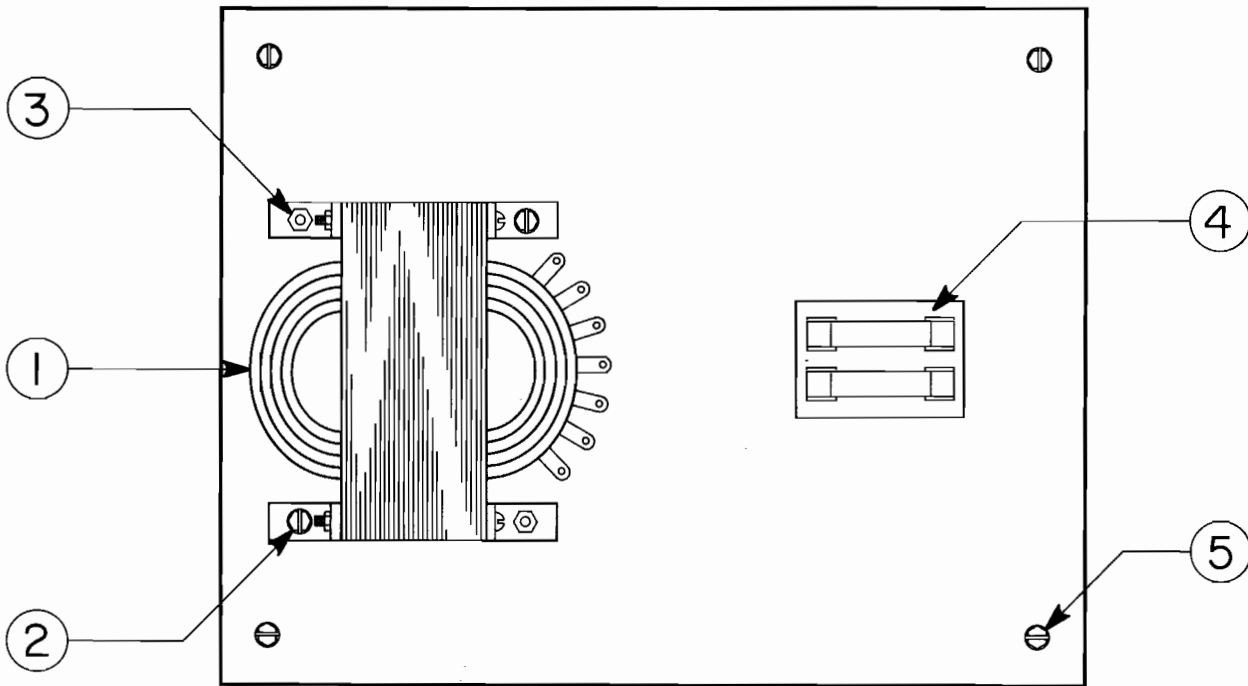
NOTE:
MIDWAY'S BASIC COIN DOOR,
VARIATIONS ARE DEPENDANT ON
YOUR PARTICULAR GAME.

NO. 730 – BOWLING ALLEY – FRONT DOOR ASSY.

ORDER BY PART NUMBER ONLY

| ITEM | PART NO | DESCRIPTION |
|------|------------------------------------|--|
| 1 | 0090-00902-0000 0090-00902-0100 | DRESS PLATE DRESS PLATE (W/O PRESS BUTTON TO START GAME) |
| 2 | 0017-00101-0552 | #6 - 32 x 1/4 CARRIAGE BOLT (2) |
| 3 | 0090-00117-03XF | COIN ENTRY PLATE (25d) |
| 4 | 0090-00906-0000 | PLASTIC START BUTTON |
| 5 | 0010-00007-0000 | COMPRESSION SPRING |
| 6 | 0090-00013-0200 | DOOR ASSY. DOUBLE ENTRY |
| 7 | 0017-00005-0050 | DOOR LOCK & KEY WITH SCREW & NUT |
| 8 | 0090-00002-02BR | DOUBLE DOOR FRAME |
| 9 | 0017-00005-0041 | 421 N.S. CAM |
| 10 | 0090-00901-0000 | DOOR SWITCH |
| 11 | 0090-00126-01XF | SWITCH BACKUP PLATE |
| 12 | 0017-00101-0528 | #5 - 40 x 3/4" LNG. M.S. |
| 13 | 0090-00903-0040 | 25d WINDOW |
| 14 | 0090-00143-0000 | COIN PLEX RETAINER |
| 15 | 0017-00104-0002 | SPLIT LOCK WASHER |
| 16 | 0017-00007-0019 | KEY HOOK |
| 17 | 0017-00103-0005 | #6 - 32 HEX NUT |
| 18 | 0090-00010-0000 | SW. PLATE & OILLITE ASSY. |
| 19 | 0017-00100-0018 | "E" RING |
| 20 | 0090-00131-0000 | SWITCH |
| 21 | 0090-00104-0000 | TOP & BTM. COIN CHUTE W/BRKT. ASSY. |
| 22 | 0017-00101-0598 | #8 - 32 x 5/16 SCREW |
| 23 | 0010-00181-0100 | SPRING |
| 24 | 0090-00129-00XF | PIVOT POST |
| 25 | 0010-00134-0000 | SPRING |
| 26 | 0090-00008-0000 | ACCEPTOR FRAME ASSY. |
| 27 | 0093-00155-00XF | REJECTOR LEVER |
| 28 | 0017-00100-0012 | "E" RING |
| 29 | 0093-00151-00XF | COIN GUIDE MTG. BRACKET |
| 30 | 0090-00005-0000 | COIN GUIDE ASSY. |
| 31 | 0017-00101-0555 | #6 - 32 x 5/16 SCREW |
| 32 | 0017-00005-0039 | COIN SWITCH |
| 33 | 0010-00557-2500 | TRIP WIRE |
| 34 | 0017-00007-0132 | PUSH-ON RING (BIK) |
| 35 | 0017-00101-0507 | #4 - 36 x 3/4 SCREW |
| 36 | 0090-00128-00XF | SWITCH BRKT. – DOOR TILT |

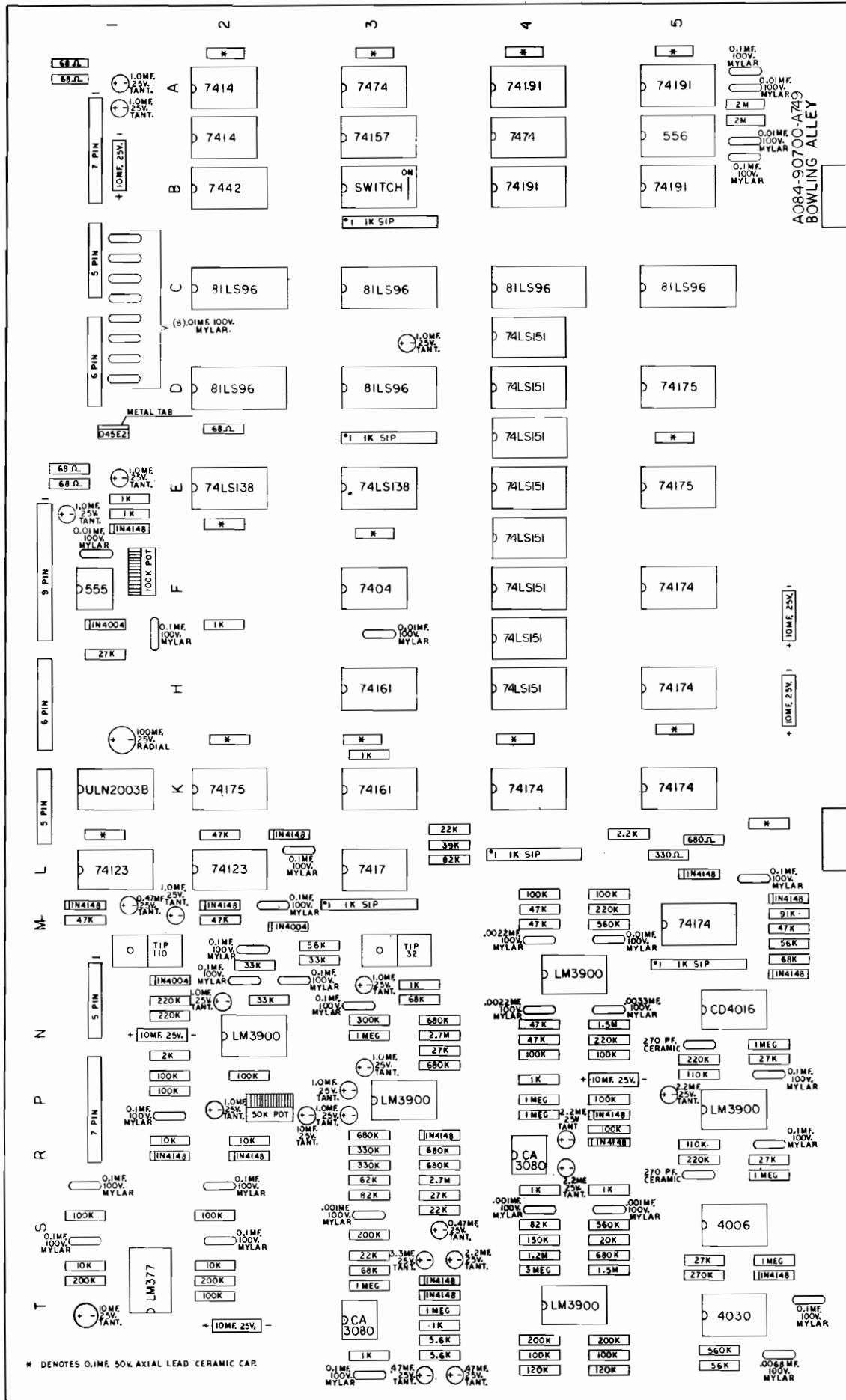
NO. 730 – BOWLING ALLEY – TRANSFORMER BOARD ASSY.



NO. 730 – BOWLING ALLEY – TRANSFORMER BOARD ASSY.

ORDER BY PART NUMBER ONLY

| ITEM | PART NO | DESCRIPTION |
|------|------------------------------------|--|
| 1 | MT00-00058-A000 MT00-00059-A000 | TRANSFORMER – 60 CYCLE - OR - TRANSFORMER – 50 CYCLE – (FOREIGN) |
| 2 | 0017-00101-0025 | #8 x 1/2 SLOT. HEX HD. S.M.S. (2 REQ'D.) |
| 3 | 0017-00101-0692 0017-00103-0008 | #8 - 32 x 7/8 CARRIAGE BOLTS (2 REQ'D.) WITH #8 - 32 HEX NUT (2 REQ'D.) |
| 4 | 0720-00001-0200 | FUSE BLOCK ASSY. (2 POSITION) |
| 5 | 0017-00101-0030 0017-00101-0017 | #8 x 1" HEX HD. WD. SCREW (4 REQ'D.) #6 x 1/2 HEX HD. S.M.S. (4 REQ'D.) |
| | | <u>NOT SHOWN</u> |
| | 0017-00003-0064 | LINE CORD – NOT SHOWN |
| | A630-00015-0000 | TRANSFORMER BOARD ASSY. – COMPLETE |

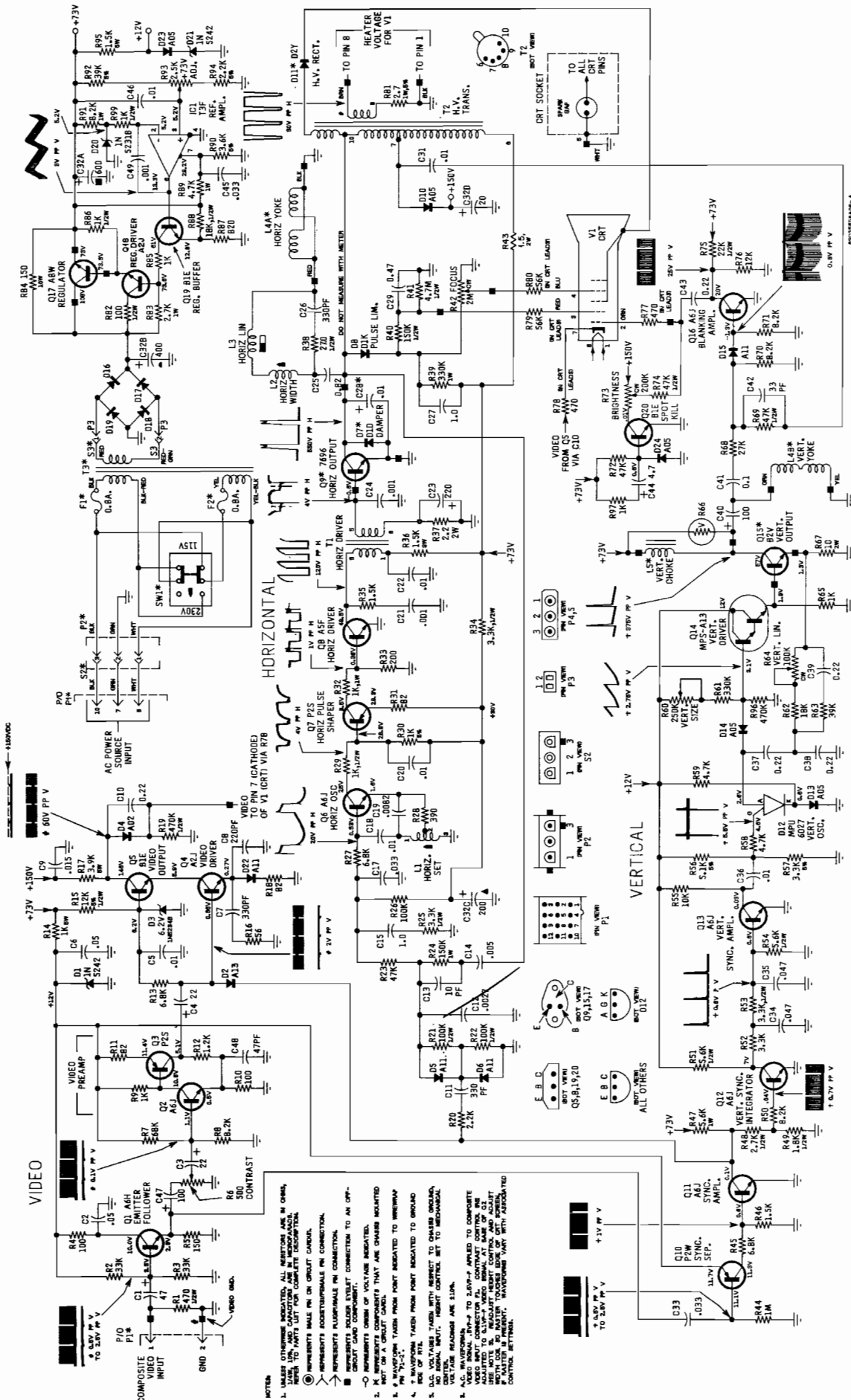


COMPONENT LAYOUT PART NO. M051-00749 - A003 COCKTAIL

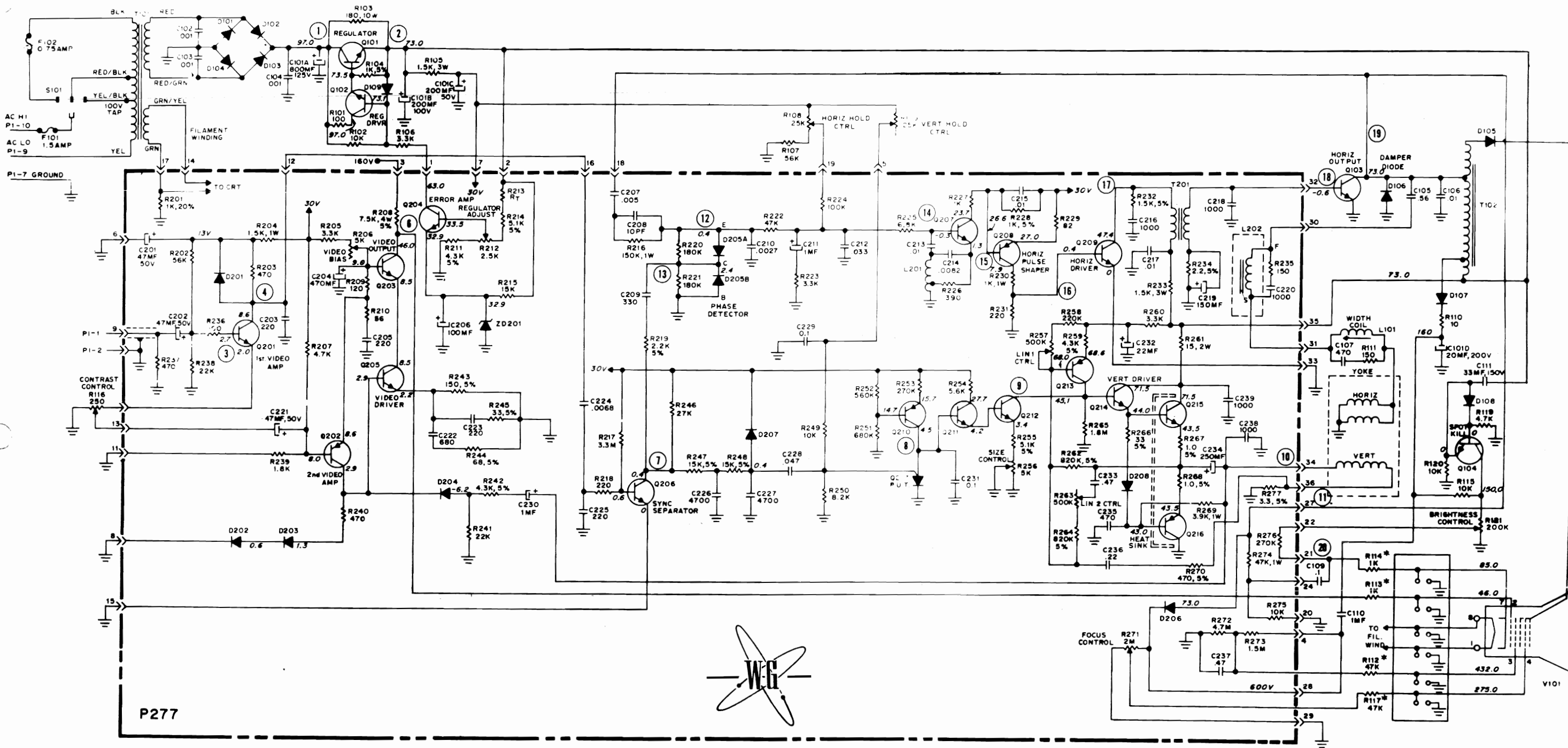
POWER SUPPLY

HORIZONTAL

VIDEO



M5000-155, M7000-155 - Diagram Schematic



P277



WELLS - GARDNER ELECTRONICS

CORPORATION

2701 N. KILDARE AVE. • CHICAGO, ILL. 60639 • ALBANY 2-8220

TELEX 25-3286

NOTES:

1. VOLTAGE MAY VARY WITH CONTROL SETTING.
2. LINE VOLTAGE MAINTAINED AT 120VAC, 50/60 Hz.
3. ALL D.C. VOLTAGES ±10% MEASURED FROM POINT INDICATED TO CHASSIS USING HIGH IMPEDANCE METER WITH NO SIGNAL INPUT. CONTRAST AND BRIGHTNESS CONTROLS AT MAXIMUM; ALL OTHER CONTROLS IN NORMAL OPERATING POSITION.
4. ○ WITH INTERNAL NUMBER INDICATES LOCATION OF WAVE FORM READING.

NOTES:

- * INDICATES RESISTORS LOCATED IN PICTURE TUBE LEAD ASSEMBLY.
- RESISTANCE VALUES IN OHMS, 1/2 WATT, 10% UNLESS OTHERWISE NOTED. K=1,000 M=1,000,000
- CAPACITANCE VALUES OF 1 OR LESS ARE IN MICROFARADS. ABOVE 1 IN PICOFARADS UNLESS OTHERWISE NOTED.

MODEL No.
V1001-5734

REPLACEMENT PARTS LIST

CHASSIS PARTS

CAPACITORS

| | | |
|-------------------|--------------|--|
| C101A, B, C, D | 45X0558-001 | 800 μ F/125V, 200 μ F/100V 200 μ F/50V, 20 μ F/200V Electrolytic |
| C102, 103 104 | 80X0001-000 | 001 μ F, GMV Z5U Cer. Disc. |
| ★C105 | 342X5642-049 | 56 μ F, 400V, 10% Polypropylene |
| ★C106 | 46X0536-001 | 01 μ F, 1200V, 5% Polypropylene |
| C107 | 80X0099-006 | 470 pF, Z5F, 10% |
| C109 | 342X1044-040 | 0.1 μ F, 400V, 20% Mylar |
| ★C110 | 46X0540-002 | 1.0 μ F, 630V, 10% Polyester Film |
| C111 | 45X0515-032 | 33 μ F, 150V, Electrolytic |

CONTROLS

| | | |
|-----------|-------------|------------------------------|
| R108, 109 | 40X0585-091 | 25k Ohm, Horiz. & Vert. Hold |
| R116 | 40X0585-090 | 250 Ohm, Contrast |
| R121 | 40X0585-092 | 200k Ohm, Brightness |

COILS & TRANSFORMERS

| | | |
|-------|-------------|----------------------|
| ★L101 | 9A2787-001 | Coil, Width |
| ★T101 | 53X0475-001 | Transformer, Power |
| ★T102 | 53X0474-001 | Transformer, Flyback |

RESISTORS

| | | |
|-------------------|--------------|-----------------------|
| R101 | 340X3101-941 | 100 Ohm, 10%, 1/2W |
| R102, 115, 120 | 340X3103-941 | 10k Ohm, 10%, 1/2W |
| ★R103 | 340X0181-341 | 180 Ohm, 10%, 10W, WW |
| R104 | 340X3102-931 | 1k Ohm, 5%, 1/2W |
| ★R105 | 340X6152-341 | 1.5k Ohm, 10%, 3W, WW |
| R106 | 340X3332-941 | 3.3k Ohm, 10%, 1/2W |
| R107 | 340X3563-941 | 56k Ohm, 10%, 1/2W |
| R110 | 340X3100-941 | 10 Ohm, 10%, 1/2W |
| R111 | 340X3151-941 | 150 Ohm, 10%, 1/2W |
| R119 | 340X3472-941 | 4.7k Ohm, 10%, 1/2W |

SEMICONDUCTORS

| | | |
|-----------------------|-------------|--|
| D101, 102 103, 104 | 66X0023-009 | Rectifier, Silicon 500V 1N444B |
| ★D105 | 66X0067-001 | Rectifier Varo H1802 |
| ★D106 | 66X0068-001 | Diode, Damper MR1-1600 |
| D107 | 66X0053-001 | Diode, 350V Amperex BA148 |
| D108, 109 | 66X0046-001 | Diode, Silicon FDH444 |
| ★Q101 | 86X0117-001 | Transistor (NPN) 2N5632 Regulator |
| Q102 | 86X0071-001 | Transistor (NPN) Reg. Driver MPSA06 |
| ★Q103 | 86X0118-001 | Transistor (NPN) BU207 Hor. Output |
| Q104 | 86X0065-001 | Transistor (NPN) D40N5 Spot Kill |

MISCELLANEOUS

| | | |
|-------|-------------|-----------------------------|
| ★F101 | 16X0171-001 | Fuse Holder |
| ★F102 | 16X0176-001 | Fuse, 1.5 Amp, Slo-Blo 3AG |
| ★ | 16X0175-001 | Fuse, 0.75 Amp, Slo-Blo 3AG |
| ★ | 13X1201-001 | HV Lead & Recept. Assy. |
| ★ | 28X0789-001 | Spring, Dag, Grounding |
| ★V101 | 9A2786-001 | Deflection Yoke & Clamp |
| or | 19VARP4 | CRT (19V1001) |
| ★V101 | 22VATP4 | CRT (22V1001) |

★ Product Safety Device

REPLACEMENT PARTS LIST P277 CIRCUIT BOARD ASSY.

CAPACITORS

| | | |
|--------------------------------|--------------|---------------------------------------|
| C201, 202, 221 | 45X0524-027 | 47 μ F, 50V, Electrolytic |
| C203, 205, 223, 225 | 80X0099-057 | 220 pF, 10%, Z5F, Cer. Disc. |
| C204 | 45X0524-053 | 470 μ F, 16V, Electrolytic |
| C206 | 45X0524-051 | 100 μ F, 50V, Electrolytic |
| C207 | 80X0099-192 | 0.005 μ F, 20%, 1KV, Cer. Disc. |
| C208 | 80X0099-036 | 10 pF, 10%, 500V, Cer. Disc. |
| C209 | 80X0099-013 | 330 pF, 10%, 500V, Cer. Disc. |
| C210 | 349X4722-109 | 0.0027 μ F, 10%, Mylar |
| C211 | 45X0524-023 | 1.0 μ F, 15V, Electrolytic |
| C212 | 349X3332-109 | 0.33 μ F, Mylar |
| C213 | 46X0537-002 | 01 μ F, Poly |
| C214 | 46X0537-003 | 0082 μ F, Poly |
| C215 | 349X1032-109 | 01 μ F, 10%, 100V Mylar |
| C216, 218, 220, 238, 239 | 80X0099-076 | 1000 pF, 10%, 500V, Cer. Disc. |
| C217 | 349X1032-209 | 01 μ F, 10%, 200V, Mylar |
| C219 | 45X0524-052 | 150 μ F, 10V, Electrolytic |
| C222 | 80X0099-137 | 680 pF, 10%, 500V, Cer. Disc. |
| C224 | 349X6822-109 | 0.0068 μ F, 10%, 100V, Mylar |
| C226, 227 | 80X0099-056 | 4700 μ F, 10%, 500V, Cer. Disc. |
| C228 | 349X4732-109 | 0.47 μ F, 10%, 100V, Mylar |
| C229 | 349X1044-109 | 0.1 μ F, 20%, 100V, Mylar |
| C230 | 45X0515-014 | 1.0 μ F, 50V, Electrolytic |
| C231 | 349X1042-109 | 0.1 μ F, 10%, 100V, Mylar |
| C232 | 45X0524-026 | 22 μ F, 100V, Electrolytic |
| C233 | 349X4742-109 | 47 μ F, 10%, 100V, Mylar |
| C234 | 45X0524-025 | 250 μ F, 100V, Electrolytic |
| C235 | 80X0099-006 | 470 pF, 10%, Z5F, Cer. Disc. |
| C236 | 349X2242-109 | 22 μ F, 10%, 100V, Mylar |
| C237 | 46X0540-001 | 47 μ F, 10%, 630V, Polyester Film |

CONTROLS

| | | |
|-----------|-------------|----------------------------|
| R206, 256 | 40X0592-008 | 5k Ohm, Video Output, Size |
| R212 | 40X0585-093 | 2.5k Ohm, Reg. Adj. |
| R257, 263 | 40X0592-004 | 500k Ohm, Lin 1 & 2 |
| R271 | 40X0585-094 | 2M Ohm, Focus |

COILS & TRANSFORMERS

| | | |
|-------|-------------|---------------|
| ★L201 | 9A2788-001 | Horiz. Osc. |
| ★L202 | 9A2789-001 | Horiz. Lin. |
| ★T201 | 52X0126-001 | Horiz. Driver |

RESISTORS

| | | |
|-------------------|--------------|---------------------|
| R201 | 340X3102-954 | 1k Ohm, 20%, 1/2W |
| R202 | 340X3563-944 | 56k Ohm, 10%, 1/2W |
| R203, 237, 240 | 340X3471-944 | 470 Ohm, 10%, 1/2W |
| ★R204 | 340X4152-843 | 1.5k Ohm, 10%, 1.0W |
| R205, 223, 260 | 340X3332-944 | 3.3k Ohm, 10%, 1/2W |
| R207 | 340X3472-944 | 4.7k Ohm, 10%, 1/2W |
| ★R208 | 340X7752-733 | 7.5k Ohm, 5%, 4.0W |
| R209 | 340X3121-944 | 120 Ohm, 10%, 1/2W |
| R210 | 340X3560-944 | 56 Ohm, 10%, 1/2W |
| R211, 242, 259 | 340X3432-934 | 4300 Ohm, 5%, 1/2W |
| R213 | 43X0467-001 | Thermistor |
| R214, 255 | 340X3512-934 | 5.1k Ohm, 5%, 1/2W |
| R215 | 340X3153-944 | 15k Ohm, 10%, 1/2W |
| ★R216 | 340X4154-843 | 150k Ohm, 10%, 1.0W |
| R217 | 340X3335-944 | 3.3M Ohm, 10%, 1/2W |
| R218, 231 | 340X3221-944 | 220 Ohm, 10%, 1/2W |
| R219 | 340X3222-934 | 2.2k Ohm, 5%, 1/2W |

★ Product Safety Device

RESISTORS (Cont'd.)

| | | |
|-----------|--------------|---------------------|
| R220, 221 | 340X3184-944 | 180k Ohm, 10%, 1/2W |
| R222 | 340X3473-944 | 47k Ohm, 10%, 1/2W |
| R224 | 340X3104-944 | 100k Ohm, 10%, 1/2W |
| R225 | 340X3682-944 | 6.8k Ohm, 10%, 1/2W |
| R226 | 340X3391-944 | 390 Ohm, 10%, 1/2W |
| R227 | 340X3102-944 | 1k Ohm, 10%, 1/2W |
| R228 | 340X3102-934 | 1k Ohm, 5%, 1/2W |
| R229 | 340X3820-944 | 82 Ohm, 10%, 1/2W |
| ★R230 | 340X4102-843 | 1k Ohm, 10%, 1.0W |
| R232 | 340X3152-934 | 1.5k Ohm, 5%, 1/2W |
| ★R233 | 340X6152-743 | 1.5k Ohm, 10%, 3.0W |
| R234 | 340X5022-333 | 2.2 Ohm, 5%, 2.0W |
| R235 | 340X3151-944 | 150 Ohm, 10%, 1/2W |
| R236 | 340X3101-944 | 100 Ohm, 10%, 1/2W |
| R238, 241 | 340X3223-944 | 22k Ohm, 10%, 1/2W |
| R239 | 340X3182-944 | 1.8k Ohm, 10%, 1/2W |
| R243 | 340X3151-934 | 150 Ohm, 5%, 1/2W |
| R244 | 340X3680-934 | 68 Ohm, 5%, 1/2W |
| R245, 266 | 340X3330-934 | 33 Ohm, 5%, 1/2W |
| R246 | 340X3273-944 | 27k Ohm, 10%, 1/2W |
| R247, 248 | 340X3153-934 | 15k Ohm, 5%, 1/2W |
| R249, 275 | 340X3103-944 | 10k Ohm, 10%, 1/2W |
| R250 | 340X3822-944 | 8.2k Ohm, 10%, 1/2W |
| R251 | 340X3684-944 | 680k Ohm, 10%, 1/2W |
| R252 | 340X3564-944 | 560k Ohm, 10%, 1/2W |
| R253, 276 | 340X3274-944 | 270k Ohm, 10%, 1/2W |
| R254 | 340X3562-944 | 5.6k Ohm, 10%, 1/2W |
| R258 | 340X3224-944 | 220k Ohm, 10%, 1/2W |
| ★R261 | 340X5150-843 | 15 Ohm, 10%, 2.0W |
| R262, 264 | 340X3824-934 | 820k Ohm, 5%, 1/2W |
| R265 | 340X3185-944 | 1.8M Ohm, 10%, 1/2W |
| R267, 268 | 340X3010-934 | 1 Ohm, 5%, 1/2W |
| R269 | 340X4392-843 | 3.9k Ohm, 10%, 1/2W |
| R270 | 340X3471-934 | 470 Ohm, 5%, 1/2W |
| R272 | 340X3475-944 | 4.7M Ohm, 10%, 1/2W |
| R273 | 340X3155-944 | 1.5M Ohm, 10%, 1/2W |
| ★R274 | 340X4473-843 | 47k Ohm, 10%, 1.0W |
| R277 | 340X3033-934 | 3.3 Ohm, 5%, 1/2W |

SEMICONDUCTORS

| | | |
|-------------------------------------|-------------|--|
| D201, 202, 203, 204, 207, 208 | 66X0046-001 | Diode, Silicon FDH444 |
| D205A, 205B | 66X0066-001 | Diode, Dual, MSD6102 |
| D206 | 66X0054-002 | Diode, RCA D2102SF |
| Q201, 205, 206 | 86X0113-001 | Transistor (NPN) 2N3904 |
| Q202, 208 | 86X0114-001 | Transistor (PNP) 2N3906 |
| Q203 | 86X0071-001 | Transistor (NPN) |
| Q204, 212 | 86X0071-001 | Transistor (NPN) MPSA06 |
| Q207, 211 | 86X0058-002 | Transistor (NPN) MPSA20 |
| Q209 | 86X0116-001 | Transistor Horiz. Driver (NPN) 2N6557 |
| Q210 | 86X0066-001 | Transistor (PNP) MPSA70 |
| Q213 | 86X0072-001 | Transistor (PNP) MPSA56 |
| Q214 | 86X0073-001 | Transistor (NPN) MPSU07 |
| Q215 | 86X0074-001 | Transistor (NPN) 2N5192 |
| Q216 | 86X0075-001 | Transistor (PNP) 2N5195 |
| Q217 | 86X0070-001 | Transistor (P.U.T.) MPU131 |
| ZD201 | 66X0040-004 | Diode, Zener 31V |

MISCELLANEOUS

38A5395-000 Pix Socket & Connector Assy.