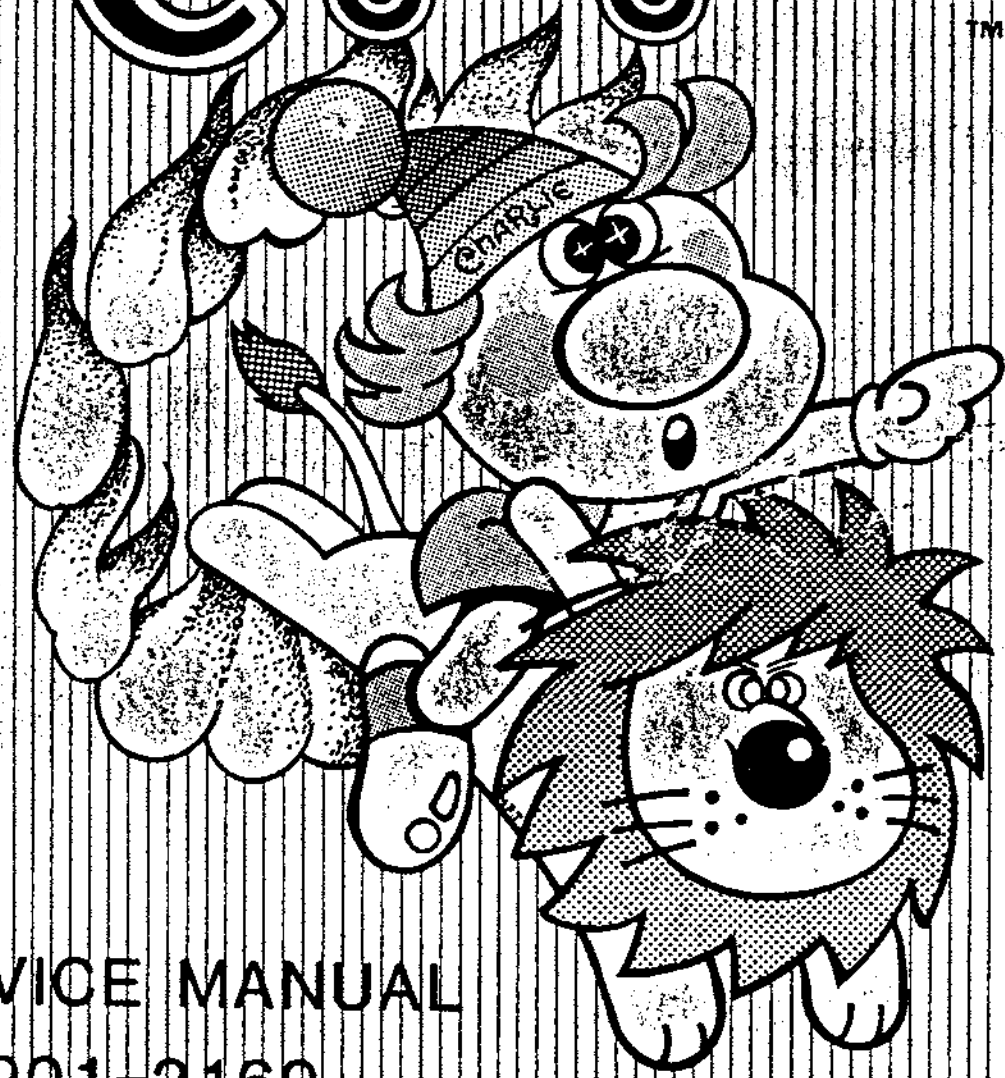


Konami inc.
Century inc.

CIRCUS CHARLIE™



SERVICE MANUAL
901-2169

CIRCUS CHARLIE
OPTIONAL DIP SWITCH SETTINGS

A. Dip Switch No.1 (8P Dip Switch)

Credits

Cc'n	Plays	SW1	SW2	SW3	SW4	SW5	SW6	SW7	SW8
1	1	Off	Off	Off	Off	Off	Off	Off	Off
1	2	On	Off	Off	Off	On	Off	Off	Off
1	3	Off	On	Off	Off	Off	On	Off	Off
1	4	On	On	Off	Off	On	On	Off	Off
1	5	Off	Off	On	Off	Off	Off	On	Off
1	6	On	Off	On	Off	On	Off	On	Off
1	7	Off	On	On	Off	Off	On	On	Off
2	1	On	On	On	Off	On	On	On	Off
2	3	Off	Off	Off	On	Off	Off	Off	On
2	5	On	Off	Off	On	On	Off	Off	On
3	1	Off	On	Off	On	Off	On	Off	On
3	2	On	On	Off	On	On	On	Off	On
3	4	Off	Off	On	On	Off	Off	On	On
3	1	On	Off	On	On	On	Off	On	On
3	3	Off	On	On	On	Off	On	On	On
Free Play		On	On	On	On	On	On	On	On

B: Dip Switch No.2 (8P Dip Switch)

1. Number Of Clowns

Number	SW1	SW2
<input type="radio"/> 3	Off	Off
4	On	Off
5	Off	On
7	On	On

2. Game Type

Style	SW3	Players
Table	Off	1 or 2 Players
Upright	On	Only 1 Player

3. Bonus Points Setting

First	And Every	SW4	SW5
<input type="radio"/> 20,000	70,000	Off	Off
30,000	80,000	On	Off

B. Dip Switch No.2 (continues)

4. Play Difficulty

Option	SW6	SW7
Easy	Off	Off
<input type="radio"/> Normal	On	Off
Hard	Off	On
Difficult	On	On

5. Audio Attraction

Sound Mode	SW8
No Sound In Attract Mode	Off
<input type="radio"/> Sound In Attract Mode	On

Denotes Normal Settings

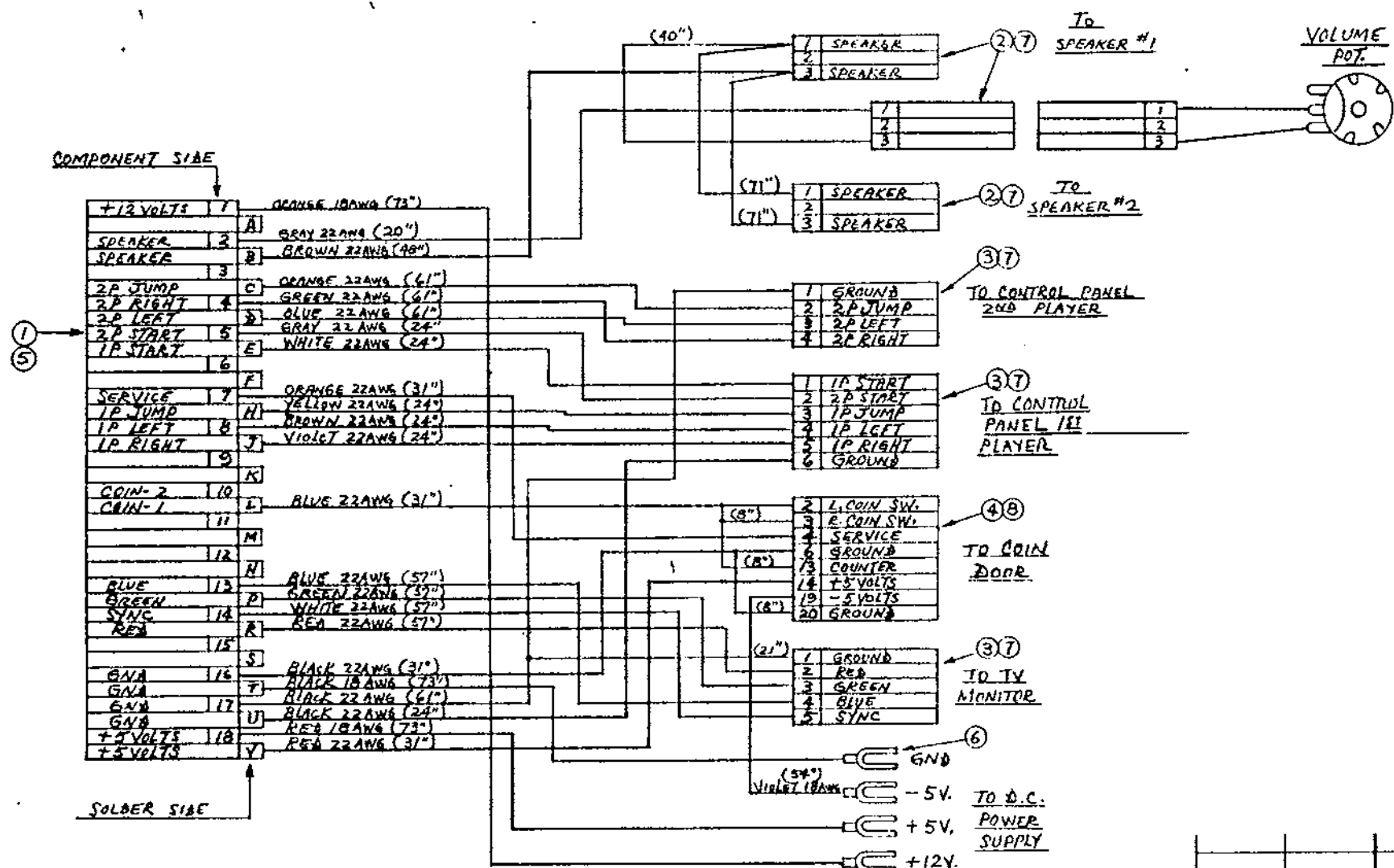
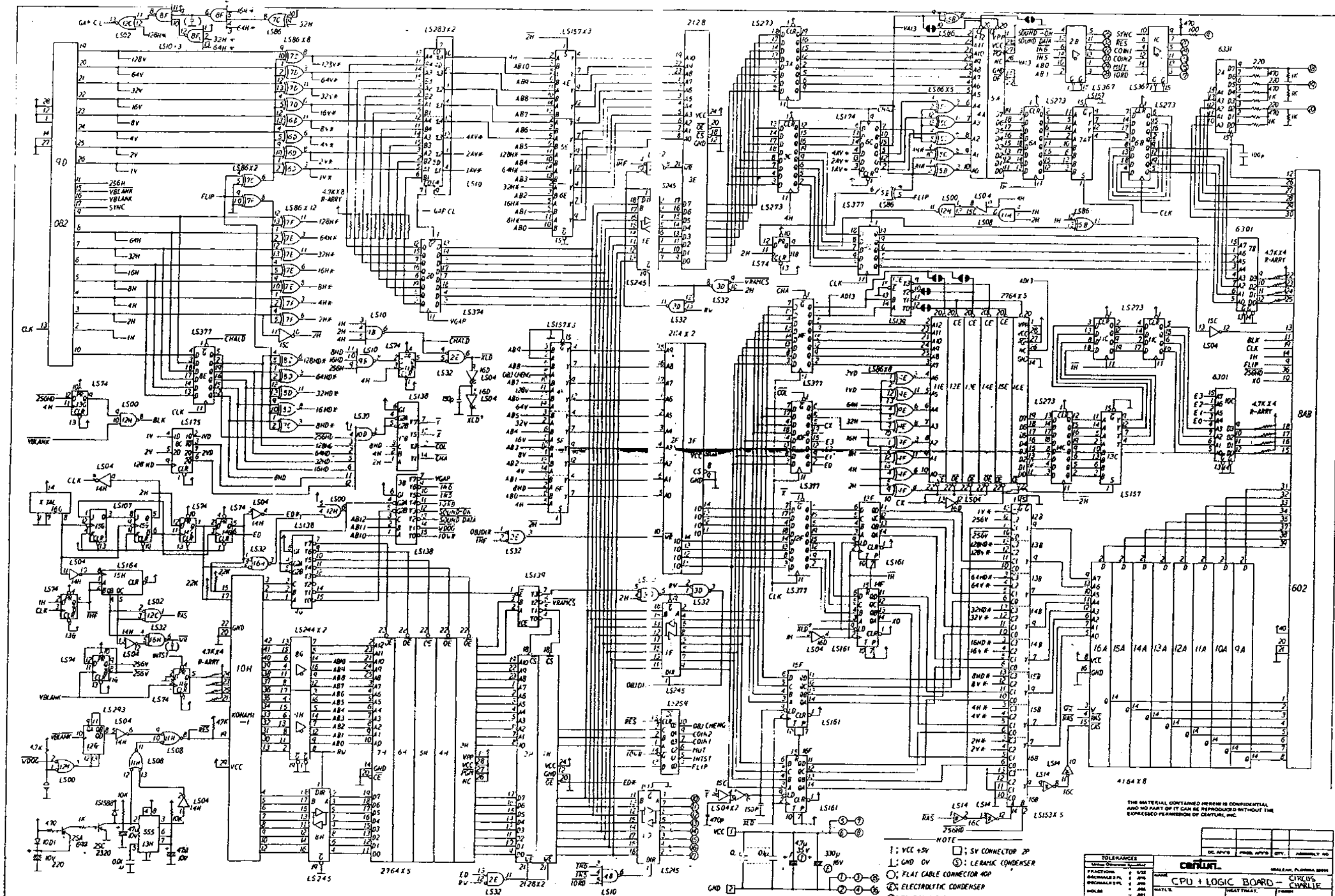


FIGURE 13

QC. APV'D	PROD. APV'D	QTY	ASSEMBLY NO
		1	

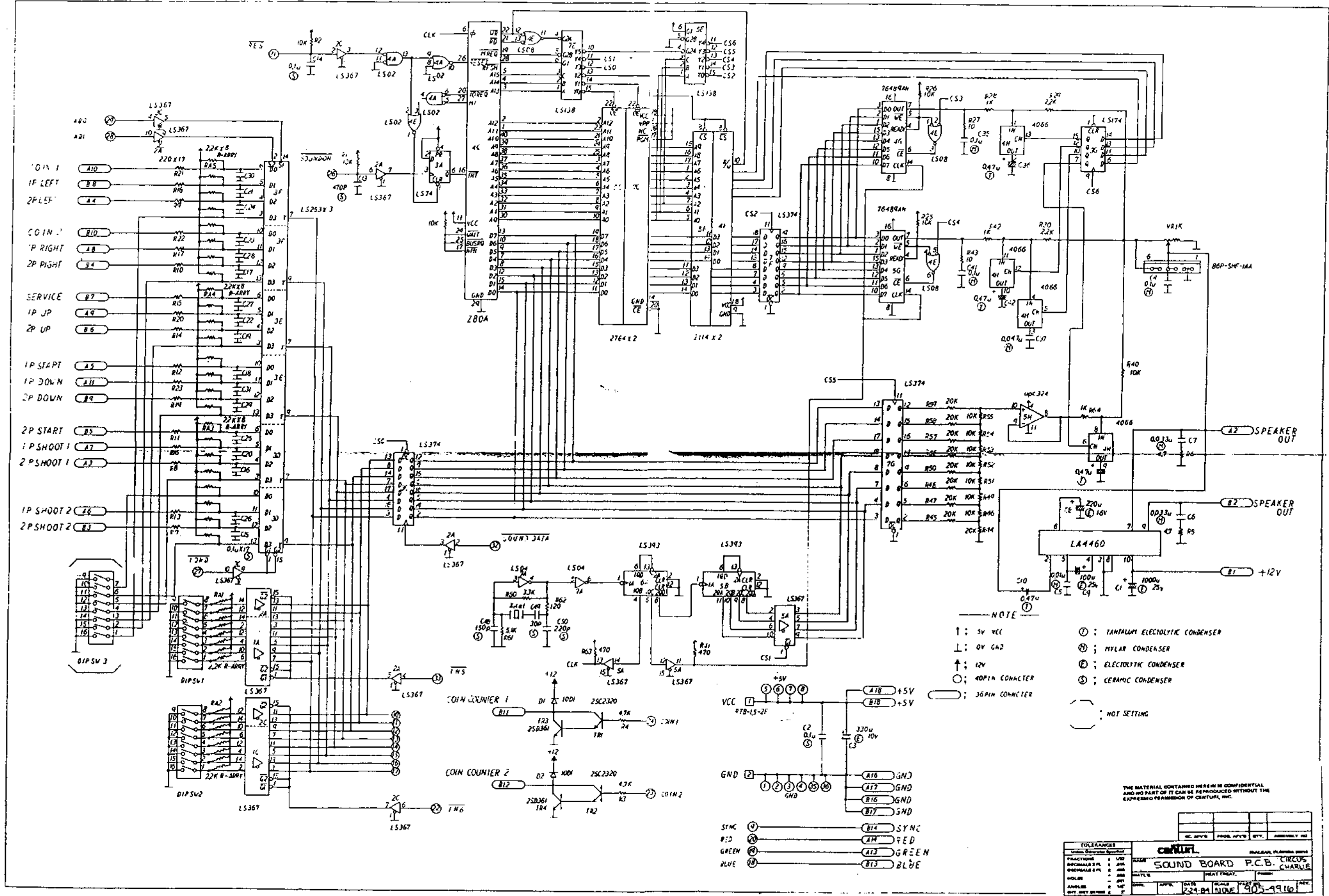
TOLERANCES				MIALEAH, FLORIDA 33014			
Unless Otherwise Specified				NAME			
FRACTIONS	1	1/32		CPU HARNESS-CIRCUS CHARLIE, C/T			
DECIMALS 2 PL	1	.015		MATERIALS			
DECIMALS 3 PL	1	.005		HEAT TREAT.			
HOLES	+	.003		FINISH			
ANGLES	1	1/2		DWN	DATE	SCALE	PART NO.
SHT. MET BENDS	1	2		MJ.	12-28-83	X	008-4930
REV. LET.	ECN NO.	REVISION	BY	DATE	SCALE	PART NO.	REV
A	4041-01	CHANGE GRAY WIRE TO BRN, CHANGE BRN WIRE TO GRAY FROM 24" TO 15"	MJ.				A



THE MATERIAL CONTAINED HEREIN IS CONFIDENTIAL AND NO PART OF IT CAN BE REPRODUCED WITHOUT THE EXPRESSED PERMISSION OF CENTURY, INC.

NOTE
 1; VCC +5V
 2; GND 0V
 3; FLAT CABLE CONNECTOR 40P
 4; ELECTROLYTIC CONDENSER
 5; TANTALUM ELECTROLYTIC CONDENSER
 6; 5V CONNECTOR 2P
 7; LEADIC CONDENSER

TOLERANCES		CENTURY	
RESISTORS	CAPACITORS	DATE	SCALE
1% (100)	1% (100)	2-24-68	NONE
5% (100)	5% (100)	905-4915	
10% (100)	10% (100)		
20% (100)	20% (100)		
50% (100)	50% (100)		
100% (100)	100% (100)		



NOTE

- ↑ : 5V VCC
- ⊥ : 0V GND
- ↑↑ : 12V
- : 40PIN CONNECTER
- : 36PIN CONNECTER
- ① : TANTALUM ELECTROLYTIC CONDENSER
- Ⓜ : NYLAR CONDENSER
- Ⓜ : ELECTROLYTIC CONDENSER
- Ⓜ : CERAMIC CONDENSER
- Ⓜ : NOT SETTING

THE MATERIAL CONTAINED HEREIN IS CONFIDENTIAL AND NO PART OF IT CAN BE REPRODUCED WITHOUT THE EXPRESS PERMISSION OF CENTRAL INC.

- ① : +5V
- ② : +5V
- ③ : GND
- ④ : GND
- ⑤ : GND
- ⑥ : GND
- ⑦ : GND
- ⑧ : GND
- ⑨ : +5V
- ⑩ : +5V
- ⑪ : GND
- ⑫ : GND
- ⑬ : GND
- ⑭ : GND
- ⑮ : GND
- ⑯ : GND
- ⑰ : GND
- ⑱ : GND
- ⑲ : GND
- ⑳ : GND
- ㉑ : GND
- ㉒ : GND
- ㉓ : GND
- ㉔ : GND
- ㉕ : GND
- ㉖ : GND
- ㉗ : GND
- ㉘ : GND
- ㉙ : GND
- ㉚ : GND
- ㉛ : GND
- ㉜ : GND
- ㉝ : GND
- ㉞ : GND
- ㉟ : GND
- ㊱ : GND
- ㊲ : GND
- ㊳ : GND
- ㊴ : GND
- ㊵ : GND
- ㊶ : GND
- ㊷ : GND
- ㊸ : GND
- ㊹ : GND
- ㊺ : GND
- ㊻ : GND
- ㊼ : GND
- ㊽ : GND
- ㊾ : GND
- ㊿ : GND

TOLERANCES		DRAWN		CHECKED	
RESISTORS	±1%	DATE	BY	DATE	BY
CAPACITORS	±5%	2-24-84	NOV	905-9916	
CENTRAL					
SOUND BOARD P.C.B. CHARLES					
HEAT TREAT.					
MATERIALS					
REV. 001					