

IKARI

III

T.M.

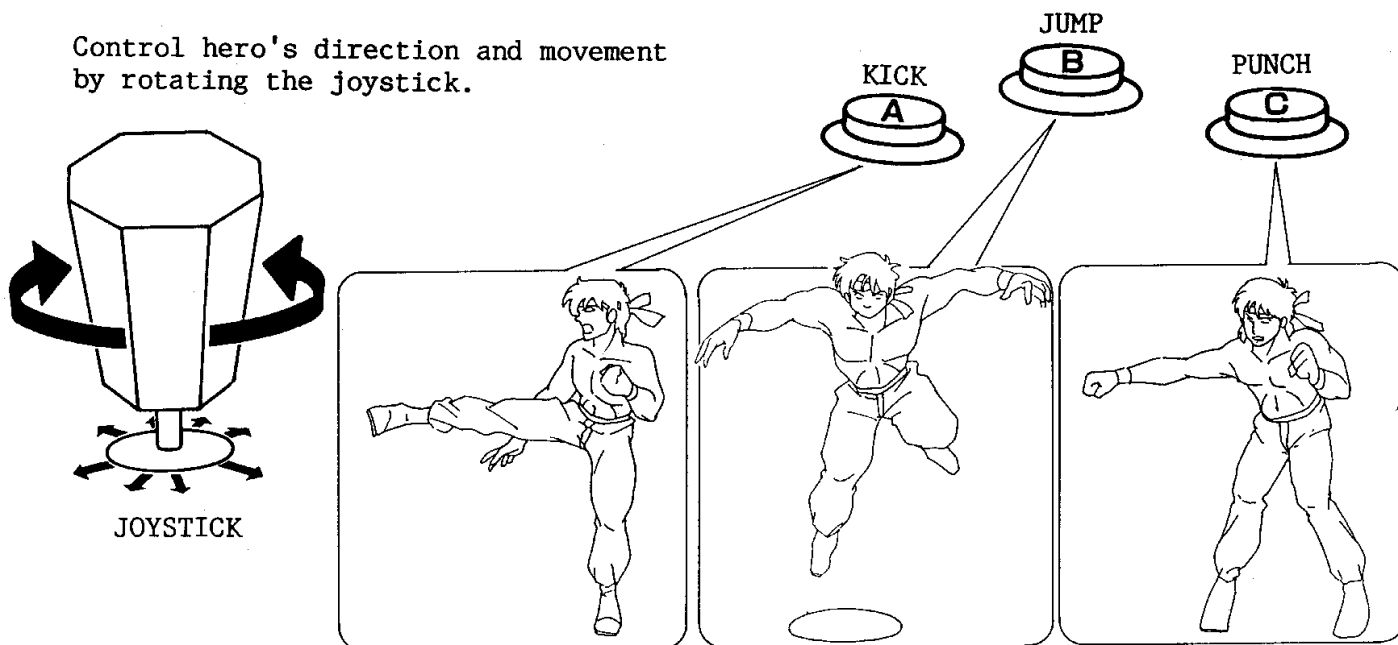
THE RESCUE



IKARI I III

THE RESCUE

Control hero's direction and movement by rotating the joystick.



WITHOUT WEAPON

- A button.....KICK
- B button.....JUMP
- C button.....PUNCH
- A+B button.....JUMPKICK
- B+C button.....BACKPUNCH

WITH KNIFE

- A button.....KICK
- B button.....JUMP
- C button.....STAB
- A+B button.....JUMPKICK
- B+C button.....THROW KNIFE

WITH MACHINE GUN

- A button.....SHOOT
- B button.....JUMP
- C button.....SHOOT
- A+B button.....JUMP
- B+C button.....THROW GUN

WITH HAND GRENADE

- A button.....THROW GRENADE
- B button.....JUMP
- C button.....THROW GRENADE
- A+B button.....JUMP
- B+C button.....THROW GRENADE

When a hero has the items, other than knife, machine-gun and grenade, press any button to throw them.

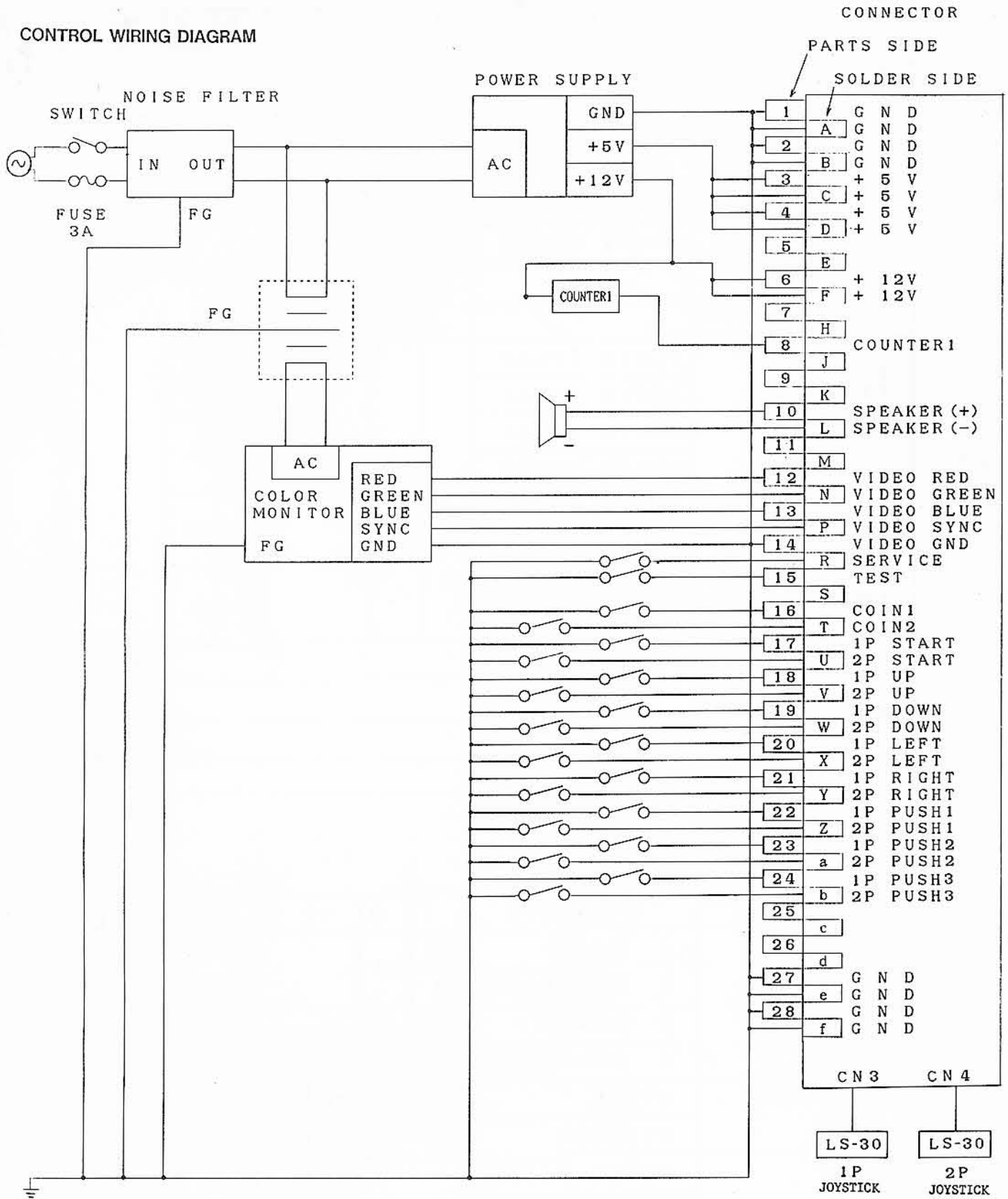
IKARI III DIP SW NO. 1

ITEM	CONTENTS	1	2	3	4	5	6	7	8
FLIP FLOP	NORMAL	OFF							
	REVERSE	ON							
BLEEDING	WITH		OFF						
	WITHOUT		ON						
BONUS	SECOND BONUS			OFF					
	EVERY BONUS			ON					
PLAY PRICING COIN 1	1COIN 1PLAY					OFF	OFF		
	2COIN 1PLAY					ON	OFF		
	3COIN 1PLAY					OFF	ON		
	4COIN 1PLAY					ON	ON		
PLAY PRICING COIN 2	1COIN 1PLAY					OFF	OFF		
	1COIN 2PLAY					ON	OFF		
	1COIN 3PLAY					OFF	ON		
	1COIN 4PLAY					ON	ON		
NO OF HEROES	3							OFF	OFF
	2							ON	OFF
	4							OFF	ON
	5							ON	ON

DIP SW NO. 2

ITEM	CONTENTS	1	2	3	4	5	6	7	8	
DIFFICULTY LEVEL	1 (EASY)	OFF	OFF							
	2 (STANDARD)	ON								
	3 (DIFFICULT)	OFF	ON							
	4 (VERY DIFFICULT)	ON								
DEMO MODE SOUND	WITH			OFF	OFF					
	WITHOUT			ON						
MODE	NEVER FINISH			OFF	ON					
	FREEZE DISPLAY			ON						
EXTEND 1ST/2ND	20000/50000					OFF	OFF			
	40000/100000					ON				
	60000/150000					OFF	ON			
	NO BONUS					ON				
CONTINUE PLAY	WITH							OFF		
	WITHOUT							ON		

CONTROL WIRING DIAGRAM



SNK CORPORATION®

SNK BLDG. 18-12, TOYOTSU-CHO, SUITA-SHI, OSAKA, 564, JAPAN.

TELEPHONE: (06)338-7007 FAX: (06)338-7150 TELEX: 5236785 SNKCO J