

INSTRUCTION MANUAL



DATA EAST USA, INC.

470 GIANNI ST., SANTA CLARA, CALIFORNIA 95054
Telephone: (408) 727-4490 Telex: 172163 DATA EAST SNTA

780-0019-00

WARNING

This equipment generates and uses radio frequency energy and if not installed and used properly, i.e., in strict accordance with the instructions manual, may cause harmful interference to radio communications. It has been tested and found to comply with the limits for a Class A computing device pursuant to Subpart J of Part 15 of FCC Rules, which are designed to provide reasonable protection against such interference when operated in a commercial environment.

Operation of this equipment in a residential area is likely to cause interference in which case the user at his own expense will be required to take whatever measures may be required to correct the interference.

TABLE OF CONTENTS

<u>PAGE</u>	
1	Game Play
2	Option Switch Settings
3	PCB Identification and Component Locations
4	COMMANDO Grounding Scheme
5	Main Harness Connections
6	56 Pin PCB Edge Connector Signals
7	Filter/Adapter 44 Pin Edge Connector Signals
8	56 to 44 Pin Adapter & RFI Filter PCB
9	COMMANDO Inter Board Connector
10	Power Supply Circuit
11	KAGA Power Supply
14	Wells Gardner Monitor Schematic
15	NANA0 Monitor Schematic
16	Sanwa Monitor Schematic
18	PCB Schematic Set, 85605-C (3 sheets)
21	PCB Schematic Set, 85605-A (8 sheets)
29	Custom Chip Pinouts
30	PCB Schematic Set, 85605-B (6 sheets)
36	Limited Warranty Statement

COMMANDO[©]

GAME PLAY

YOU ARE ABOUT TO BEGIN A HIGHLY SECRET MISSION

You are a crack soldier with special training. You have been given a highly secret mission, and are about to enter into fierce guerrilla warfare! The mission is to annihilate the enemy and to rescue important captives. To do this you must destroy the enemy base, which is said to be impregnable.

The battles you will fight take place in several areas requiring various attack techniques. Your weapons consist of a machine gun with unlimited shots, and a limited supply of hand grenades, which you may replenish by taking from the enemy.

GOOD LUCK!

- * Use JOYSTICK to maneuver the soldier.
- * Use RIGHT BUTTON to fire Machine gun.
- * Use LEFT BUTTON to hurl hand grenades.
- * Dodge all bullets and grenades. Do not collide with enemy soldiers!
- * Destroy as many of the enemy as possible.
- * Pick up enemy grenades (one grenade per box) and use them against the enemy.
- * Extra 'lives' are awarded for exceeding certain scores.
- * Score higher points by destroying enemy leaders and enemy headquarters.
- * Score bonus points by rescuing captives.
- * The arch bridge is a dangerous spot! Watch for attacks from above!
- * Be careful of trucks and jeeps that may try to ram you!
- * Do not fall into rivers or ponds.
- * Trees, walls and other obstacles can be used for cover.

© 1985 DATA EAST USA, INC.
Developed by CAPCOM Co., Ltd.

C O M M A N D O
OPTION SWITCH SETTINGS

SWITCH A

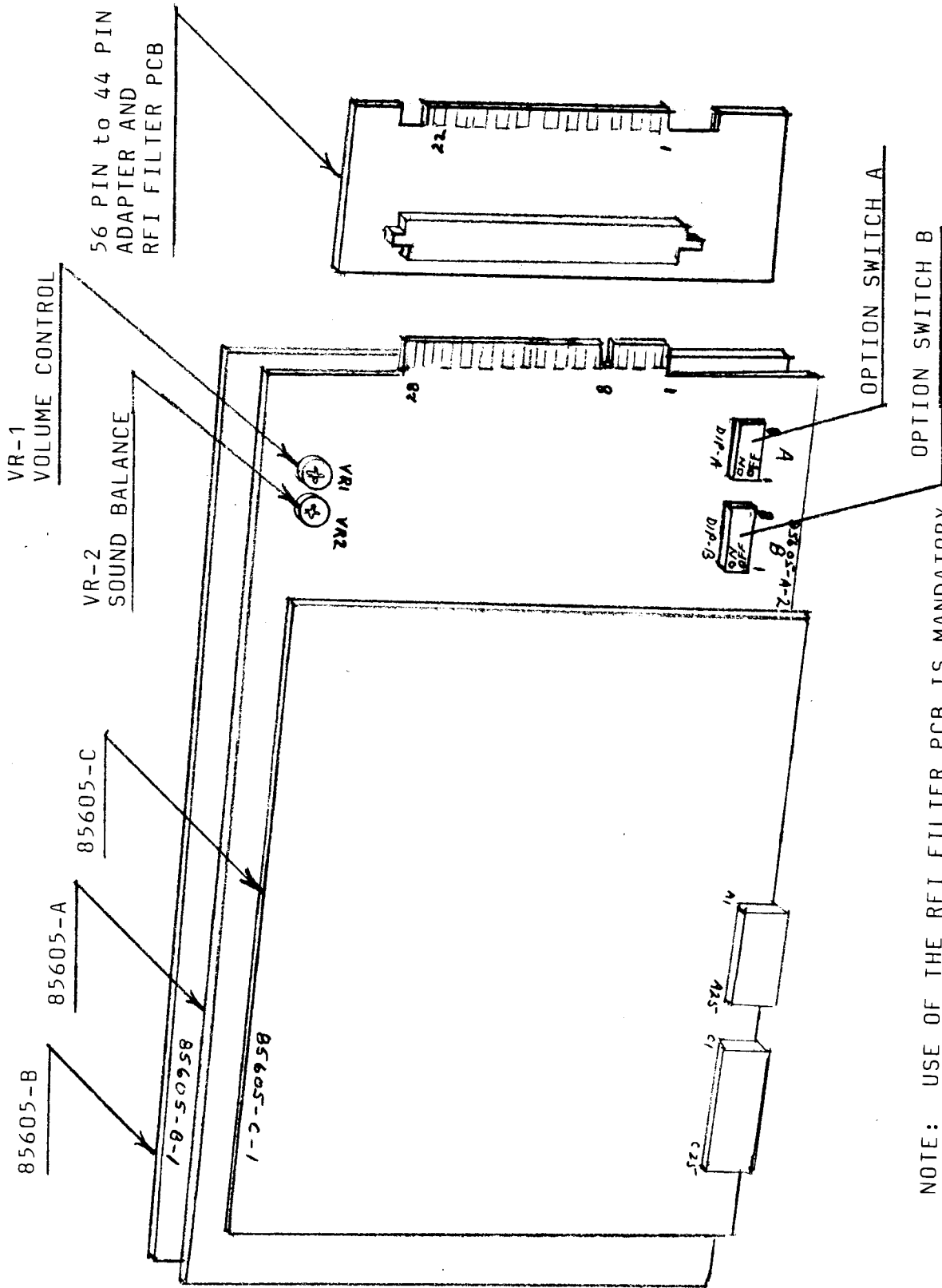
OPTION		1	2	3	4	5	6	7	8
COIN 1 1 WAY	1 Coin - 1 Credit	OFF	OFF						
	1 Coin - 2 Credit	ON	OFF						
	1 Coin - 3 Credit	OFF	ON						
	2 Coin - 1 Credit	ON	ON						
COIN 2 2 WAY	1 Coin - 1 Credit			OFF	OFF				
	2 Coin - 1 Credit			ON	OFF				
	3 Coin - 1 Credit			OFF	ON				
	4 Coin - 1 Credit			ON	ON				
NUMBER OF LIVES (FIGHTERS)	3					OFF	OFF		
	2					ON	OFF		
	4					OFF	ON		
	5					ON	ON		
STARTING AREA	0 (Forest 1)							OFF	OFF
	2 (Desert 1)							ON	OFF
	4 (Forest 2)							OFF	ON
	6 (Desert 2)							ON	ON

SWITCH B

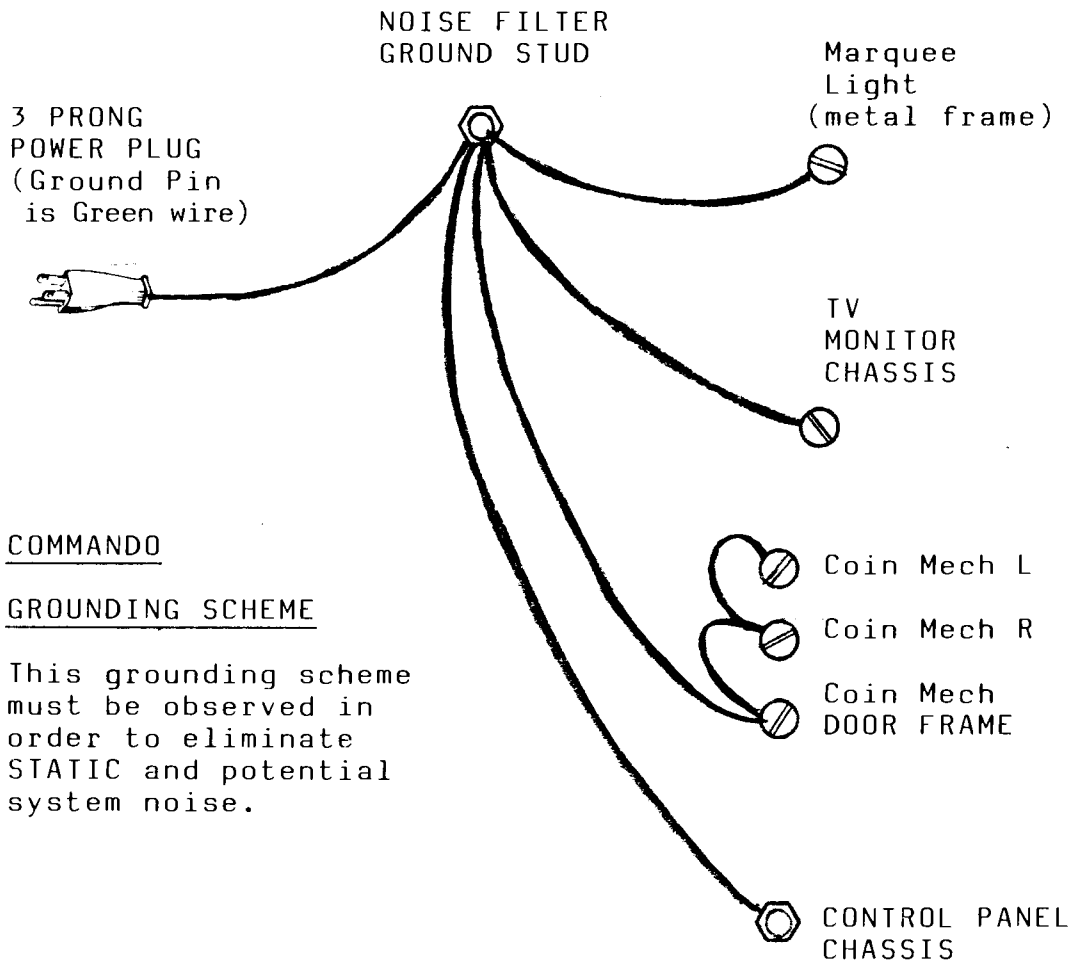
OPTION		1	2	3	4	5	6	7	8
COCKTAIL TABLE UPRIGHT		OFF ON							
JOYSTICK 2 WAY JOYSTICK 1 WAY		ON ON	OFF ON						
MONITOR REVERSE SWITCH				OFF ON					
DIFFICULTY	NORMAL DIFFICULT				OFF ON				
ATTRACT MODE	SOUND ON SOUND OFF					OFF ON			
BONUS 'LIFE' AWARD	10,000 & after 50,000						OFF	OFF	OFF
	10,000 & after 60,000						ON	OFF	OFF
	20,000 & after 60,000						OFF	ON	OFF
	20,000 & after 70,000						ON	ON	OFF
	30,000 & after 70,000						OFF	OFF	ON
	30,000 & after 80,000						ON	OFF	ON
	40,000 & after 100,000						OFF	ON	ON
	NO BONUS LIVES GIVEN						ON	ON	ON

C O M M A N D O

PCB IDENTIFICATION AND COMPONENT LOCATIONS



NOTE: USE OF THE RFI FILTER PCB IS MANDATORY IN ORDER TO PREVENT UNDESIRABLE RADIO FREQUENCY INTERFERENCE. DO NOT ATTEMPT TO BYPASS THIS FILTER! NO RFI SHIELD IS NECESSARY.

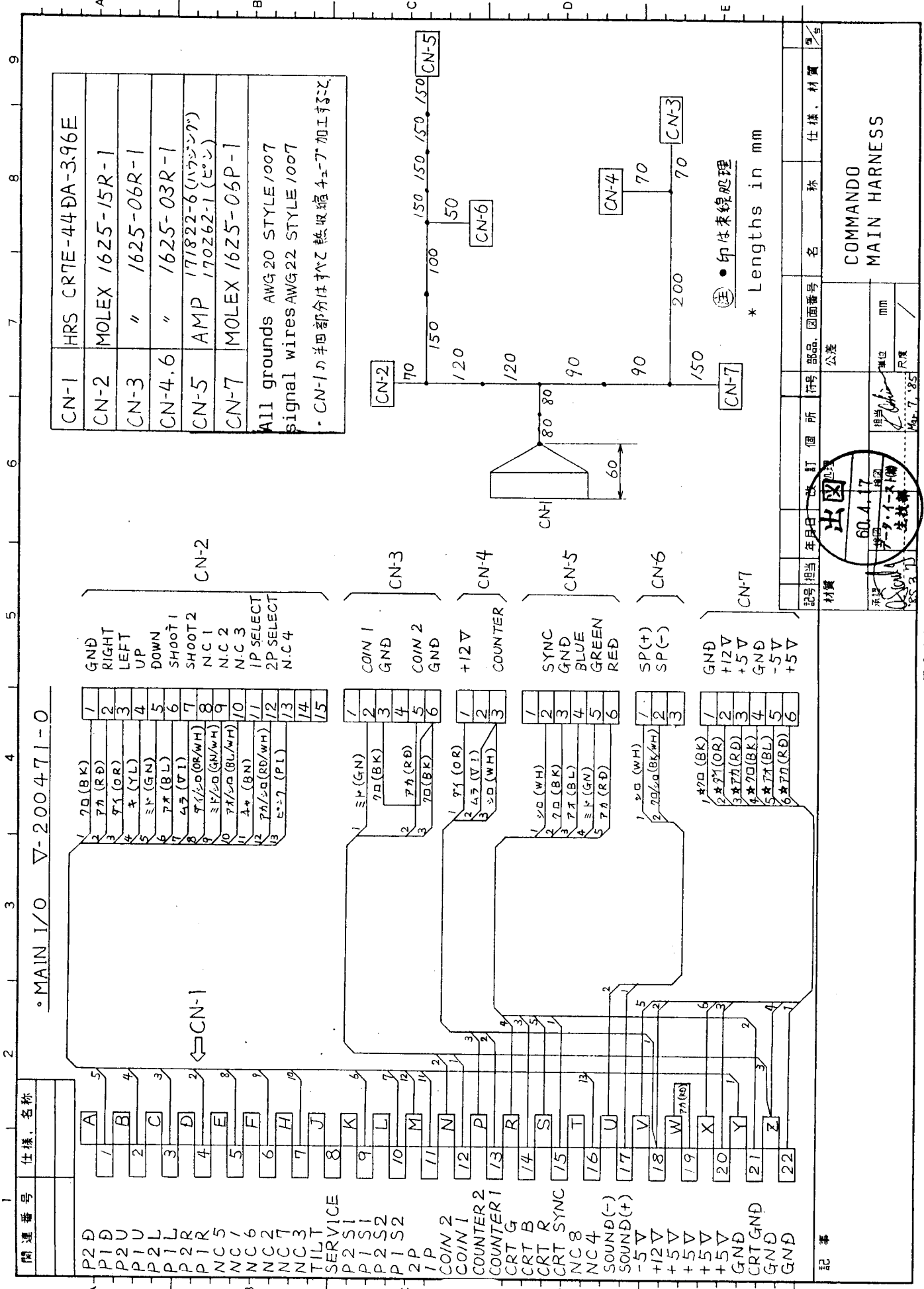


COMMANDO

GROUNDING SCHEME

This grounding scheme must be observed in order to eliminate STATIC and potential system noise.

1. Ground wire of 3 prong power plug to be connected to Ground Stud on Noise Filter.
2. Marquee Light metal frame to be connected to ground stud on Noise Filter.
3. TV Monitor Chassis to be connected to ground stud on Noise Filter.
4. Coin Mech L, Coin Mech R and Coin Mech Door Frame to be connected to ground stud on Noise Filter.
5. Control Panel Chassis to be connected to ground stud on Noise Filter.
6. All connections must have good mechanical & electrical bond.
7. All connections to be made with #18 or larger green wire.



CN-1	HRS CR7E-44DA-3.96E
CN-2	MOLEX 1625-15R-1
CN-3	" 1625-06R-1
CN-4.6	" 1625-03R-1
CN-5	AMP 171822-6 (ハブジャンプ) 170262-1 (ピン)
CN-7	MOLEX 1625-06P-1

All grounds AWG20 STYLE/007
signal wires AWG22 STYLE/007
・CN-1の半田部分は代り熱収縮チューブ加工すること

記号	担当	年月日	出	訂	個	所	符号	部品	図面	番号	名	称	仕様	材質
	生技	60.4.17									COMMANDO			
	担当										MAIN HARNESS			
	単位													
	尺度													

SOLDER SIDE				COMPONENT SIDE	
GND	A	1	GND		
GND	B	2	GND		
+5	C	3	+5		
+5	D	4	+5		
Ⓞ	E	5	Ⓡ		
SYNC.	F	6	Ⓟ		
GND	H	7	GND		
KEYWAY		J	8	KEYWAY	
2P	SHOT 2	K	9	SHOT 2	IP
	SHOT 1	L	10	SHOT 1	
	UP 1	M	11	UP 1	
	DOWN 1	N	12	DOWN 1	
	LEFT 1	P	13	LEFT 1	
	RIGHT 1	R	14	RIGHT 1	
	GND	S	15	GND	
	2P SELECT	T	16	IP SELECT	
	(D5)	U	17	(D4)	
	COIN 2	V	18	COIN 1	
	GND	W	19	GND	
		X	20		
		Y	21		
	+12V COMMON	Z	22	+12V COMMON	
COUNTER 2	a	23	COUNTER 1		
SP ⊖	b	24	SP ⊕		
+12	c	25	+12		
GND (12V)	d	26	GND (12V)		
GND	e	27	GND		
GND	f	28	GND		

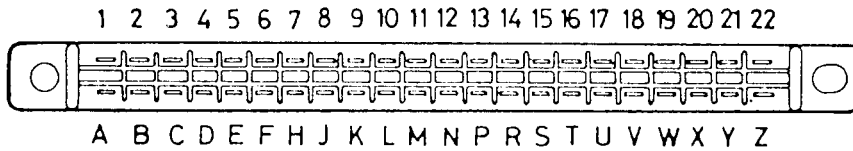
CONNECTOR TYPES
 CR7E - 56DA - 3.96E : HIROSE
 OF
 1168 - 056 - 009 : KEL

EDGE CONNECTOR	
14	85605-1-1/2

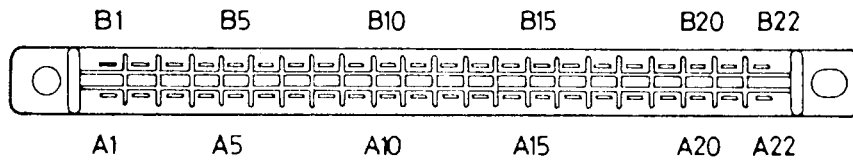
C O M M A N D O

56 PIN TO 44 PIN ADAPTOR & RFI FILTER PCB
MAIN HARNESS CONNECTIONS

a) CONNECTOR CR7E-44DA-3.96E (HIROSE) 3.96mm



b) CONNECTOR 1168-044-009 (KEL) 3.96mm



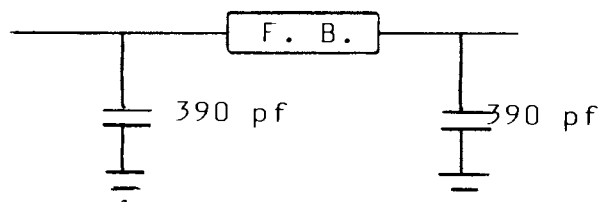
56 PIN to 44 PIN ADAPTER AND RFI FILTER PCB
MAIN HARNESS CONNECTIONS

COMPONENT SIDE			SOLDER SIDE		
Pin Nos		Signal	Pin Nos		Signal
	KEL			KEL	
1	B1	1P DOWN	A	A1	2P DOWN
2	B2	1P UP	B	A2	2P UP
3	B3	1P LEFT	C	A3	2P LEFT
4	B4	1P RIGHT	D	A4	2P RIGHT
5	B5		E	A5	
6	B6		F	A6	
7	B7		H	A7	
8	B8		J	A8	
9	B9	1P SHOOT 1	K	A9	2P SHOOT 1
10	B10	1P SHOOT 2	L	A10	2P SHOOT 2
11	B11	1P GAME SELECT	M	A11	2P GAME SELECT
12	B12	COIN 1	N	A12	COIN 2
13	B13	COIN COUNTER 1	P	A13	COIN COUNTER 2
14	B14	TV.B	R	A14	TV.G
15	B15	SYNC.	S	A15	TV.R
16	B16		T	A16	
17	B17	SPEAKER +	U	A17	SPEAKER -
18	B18	+12V	V	A18	
19	B19	+5V	W	A19	+5V
20	B20	+5V	X	A20	+5V
21	B21	TV.GND	Y	A21	GND
22	B22	GND	Z	A22	GND

56 PIN to 44 PIN ADAPTER & RFI FILTER PCB

The COMMANDO game was developed by CAPCOM CO. Ltd., who also produces the PC Board. The game developer has made no provision for compliance with Federal Communication Commission Rules and Regulations regarding Radio Frequency Interference generated by Class A computing devices. In order to ensure compliance with those regulations, DATA EAST has designed adequate RFI Filtering into the adapter PC Board. This PCB also serves as the interface between the COMMANDO 56 pin edge connector and the DATA EAST 44 pin connector.

All signals and voltages entering or leaving the COMMANDO PCB pass through a 'PI' filter network, with the exception of the ground connections and the R,G,B, & Sync signals for the Monitor, which are routed through a ferrite bead, in order to suppress unwanted radiation. Refer to the pin-out tables on pages 6 and 7 for guidance in tracing signals through this Adapter/Filter PCB.



TYPICAL FILTER NETWORK

CN - 2

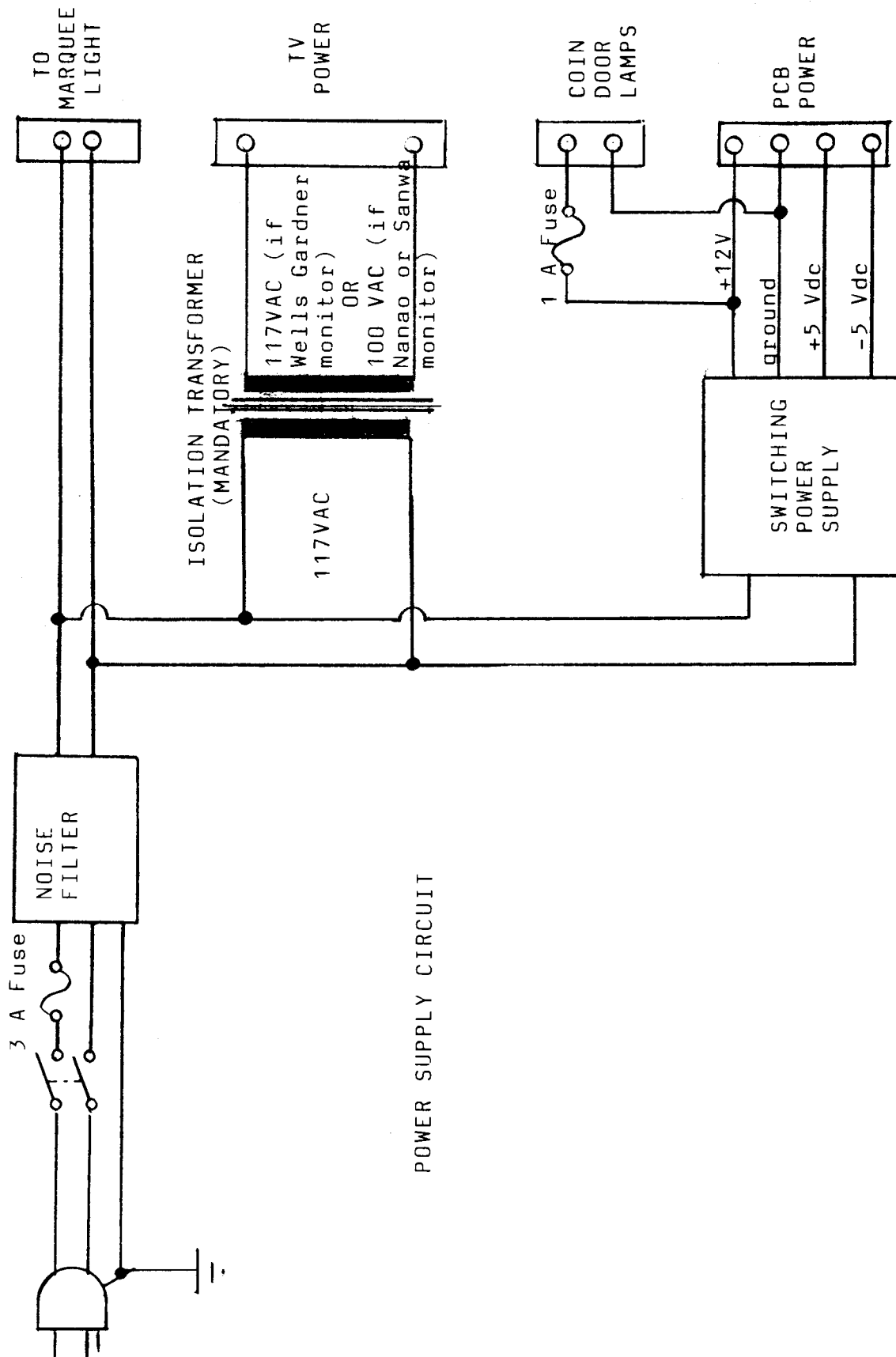
CN - 1

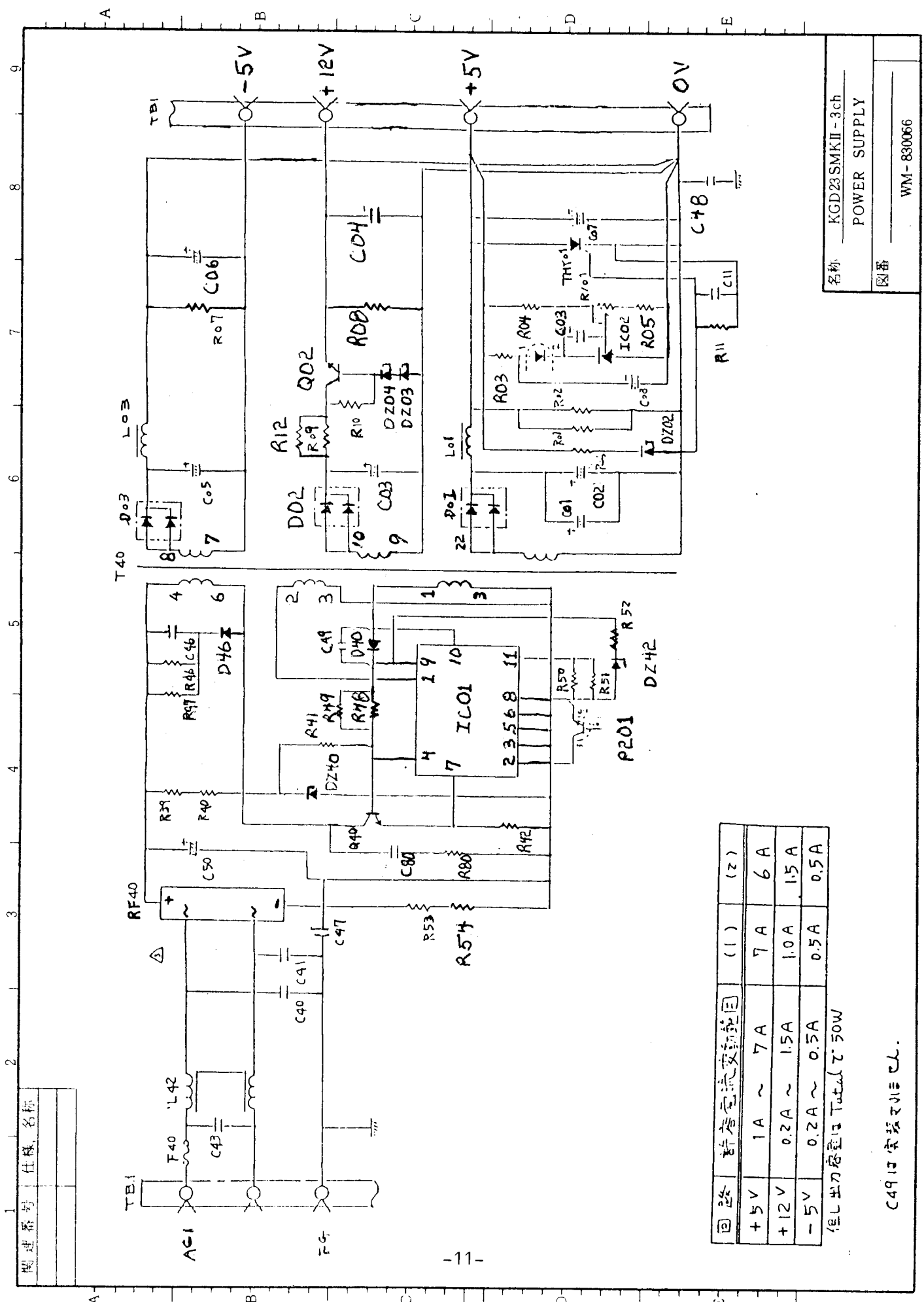
D		C
SCR B	1	SCR C
FLIP	2	SCR A
OH	3	6M
4H	4	4-3H
H2	5	H1
H8	6	H4
H32	7	H16
H128	8	H64
LHBL	9	H256
V2	10	V1
V8	11	V4
V32	12	V16
V128	13	V64
OBJ G	14	OBJ H
OBJ E	15	OBJ F
OBJ C	16	OBJ D
OBJ A	17	OBJ B
	18	HINIT
	19	
	20	
	21	
+5V	22	+5V
	23	
	24	
	25	

B		A
	1	DB0
	2	DB1
	3	DB2
	4	DB3
	5	DB4
GND	6	DB5
	7	DB6
	8	DB7
	9	GND
	10	
	11	
SCR G	12	
$\overline{\text{CBCS}}$	13	AB0
$\overline{\text{DBC S}}$	14	AB1
$\phi \text{ SC}$	15	AB2
SCR D	16	AB3
SCR E	17	AB4
SCR F	18	AB5
$\overline{\text{ACL 2}}$	19	AB6
$\overline{\text{OKOUT}}$	20	AB7
$\overline{\text{AKB}}$	21	AB8
$\overline{\text{RQB}}$	22	AB9
$\overline{\text{BLCNTEN}}$	23	AB10
$\overline{\text{WRB}}$	24	AB11
$\overline{\text{RDB}}$	25	AB12

JOINT CONNECTOR

85605 - 連實 - 1 - 2/2





名称 KGD23SMKII-3ch
POWER SUPPLY
图番 WM-830066

回路	許容電流変動範囲	(1)	(2)
+5V	1A ~ 7A	7A	6A
+12V	0.2A ~ 1.5A	1.0A	1.5A
-5V	0.2A ~ 0.5A	0.5A	0.5A

但し出力容量は T_{amb} = 50W

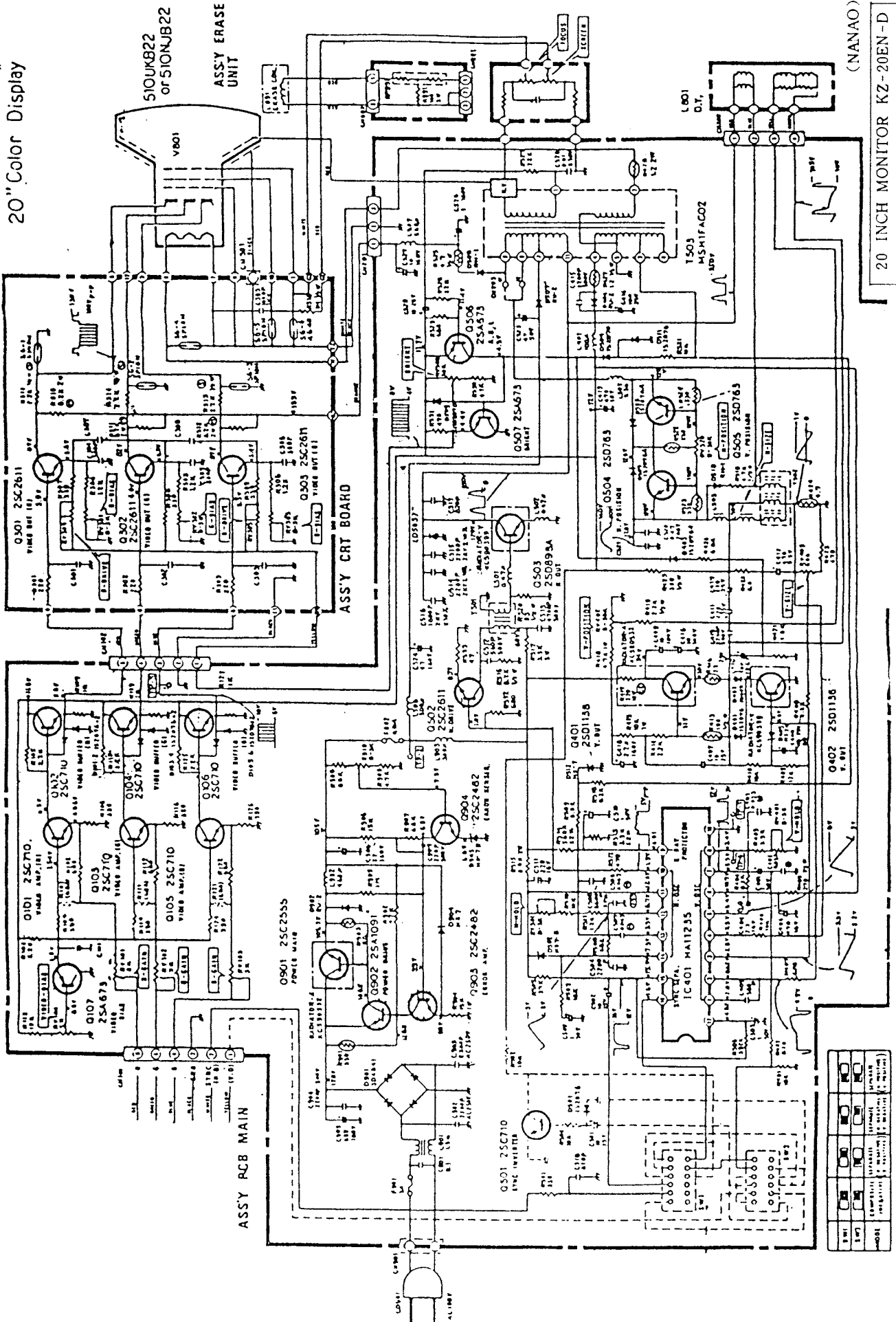
C49は実装しない。

POWER SUPPLY Model KGD23SMK-II

Item	Parts Nos	Description	Specification	Q'ty	Manufacturer
1.	F40	Fuse	GHS 5	1	Nagasawa
2.	T40	Transformer		1	Shindengen
3.	L42	Common Mode Choke	UF327S 602YIRO	1	TDK
4.	Q40	Transistor	2SC3306	1	Toshiba
5.	RF40	Bridge Rectifier	S3WB 40	1	Shindengen
6.	D40	Diode	V19C	1	Hitachi
7.	D46	Diode	V19G	1	Hitachi
8.	DZ40	Zener Diode	HZ16-1	1	Hitachi
9.	IC01	HB IC	RHD01-2	1	Nichi-con
10.	PC01	Photo Coupler	PS 2018	1	Nichiden (NEC)
11.	C40, 41	Ceramic Capacitor	DE7090B 102KVAI 125V 1,000pf	2	Murata
12.	C47	Ceramic Capacitor	– ditto –	1	Murata
13.	C80	Ceramic Capacitor	DE0707B 681K 2KV DC 680p	1	Murata
14.	C42	Film Capacitor			
15.	C43	Film Capacitor	QXM2G 104KT 400V 0.1 μ f	1	Nichi-con
16.	C46	Film Capacitor	ECQ-E2 104KS 200V 0.1 μ f	1	Matsushita
17.	C48	Film Capacitor	ECQ-E6 473KZ 400V 0.047 μ f	1	Matsushita
18.	C50	Electrode Capacitor	LJA2D471 THSCBV 200V 470 μ f	1	Nichi-con
19.	R37, 40	Resistor	ERG-1SJ 393H	2	Matsushita
20.	R47, 46	Resistor	ERG-2SJ 223H	2	Matsushita
21.	R48, 49	Resistor	ERG-3SJ 560H	2	Matsushita
22.	R80	Resistor	ERG-2SJ 330H	1	Matsushita
23.	R42	Metal Plate Resistor	MFC 70 0.22 ohm	1	Fukushima Futaba
24.	R53, 54	Coil Resistor	MNS 05N 1ROJ	2	Micron
25.	R41	Carbon Resistor	1/4W 10K ohm	1	
26.	R50	Carbon Resistor	1/4W 680 ohm	1	
26.	R51	Carbon Resistor	1/4W 12K ohm	1	
28.	R52	Carbon Resistor			
29.	L01	Choke	RD1113A 3J 3uH 10A	1	Hokkoh
30.	L03	Choke	RD810A 3F 3uH 5A	1	Hokkoh
31.	Q02	Transistor	2SD1022 or 2SD1308	1	Shindengen
32.	D01	Diode	ESAC 83-004	1	Fuji Denki
33.	D02	Diode	5CH2M or ESAC25-020	1	Fuji Denki or NEC
34.	D03	Diode	– ditto –	1	Fuji Denki
35.	DZ02	Zener Diode	HZ 6B-2	1	Hitachi
36.	DZ03	Zener Diode	HZ 12B-1L	1	Hitachi
37.	THY01	Thyristor	5PIM or SF5B41	1	NEC or Toshiba
38.	IC02	I.C.	TL431 CLP	1	T.I.
39.	C01, 02	Capacitor	SXA 16VB 2200	2	Nichi-Chemi
40.	C03, 05	Capacitor	CEUSM 1V 471 35V 470 μ f	2	Nichi-con

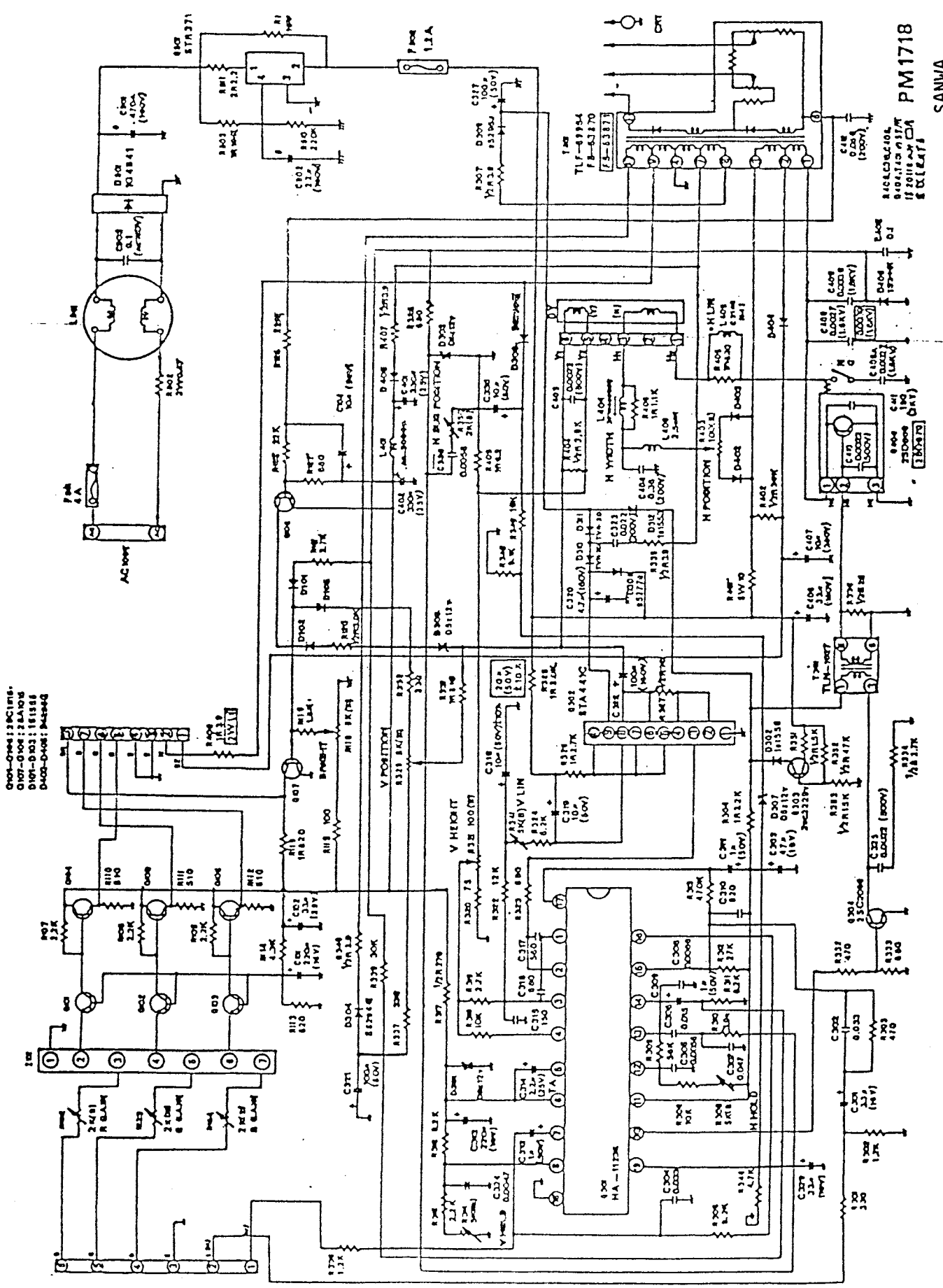
Item	Parts Nos	Description	Specification	Q'ty	Manufacturer
41.	C04	Capacitor	CEUSM 1E 331 25V 330 μ F	1	Nichi-con
42.	C07, 06	Capacitor	CEUSM 1E 331 25V 330 μ f	2	Nichi-con
43.	C08	Capacitor	CEUSM 1H 010	1	Nichi-con 50V 1 μ f
44.	C09	Capacitor	CEUSM 1V 4R7 35V 4.7 μ f	1	Nichi-con
45.	C11	Film Capacitor	TDY1H/2A 104K 50V 0.1 μ f	1	Nichi-con
46.	R01, 13	Resistor	ERG 3SJ 680H	2	Matsushita 3W 68 Ω
47.	R08	Resistor	ERG3SJ 271H	1	Matsushita 3W 270 Ω
48.	R09	Resistor	ERG 2SJ R68 2W 0.68 ohm	1	Matsushita
49.	R10	Resistor	ERG 1SJ 271 1W 270 ohm	1	Matsushita
50.	RV01	Volume	EVM38GA 00B52 500 ohm	1	Matsushita
51.	R03	Carbon Resistor	1/4W 68 ohm	1	
52.	R04, 11	Carbon Resistor	1/4W 560 ohm	2	
53.	R05	Carbon Resistor	1/4W 390 ohm	1	
54.	R06	Carbon Resistor	1/4W 15 ohm	1	
55.	R02				
56.		P.C. Board		1	
57.	TB1	Terminal Strip		1	
58.		Terminal	Faston	7	

20" Color Display



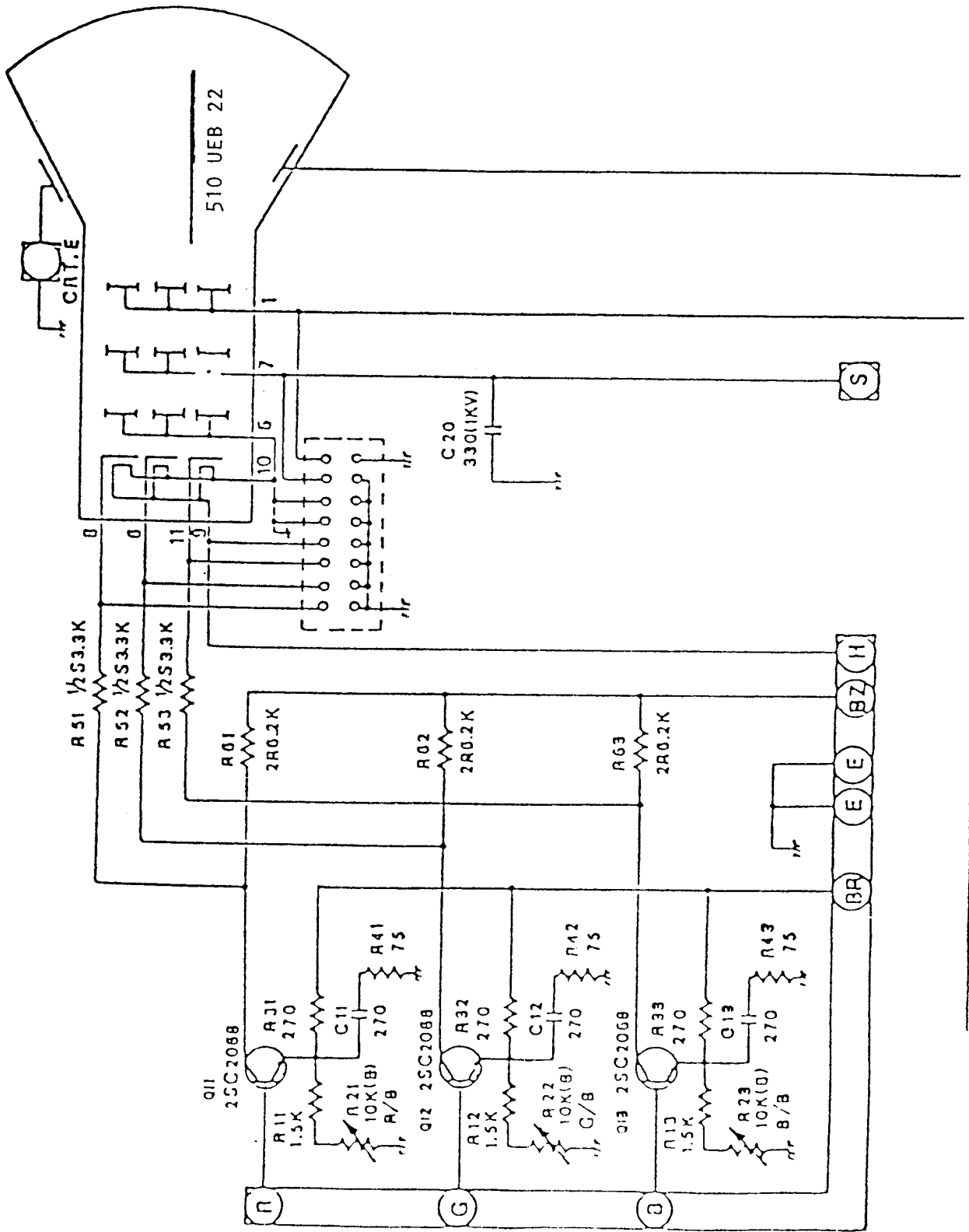
REV	DATE	BY	CHKD	DESCRIPTION
001				ISSUED FOR PRODUCTION

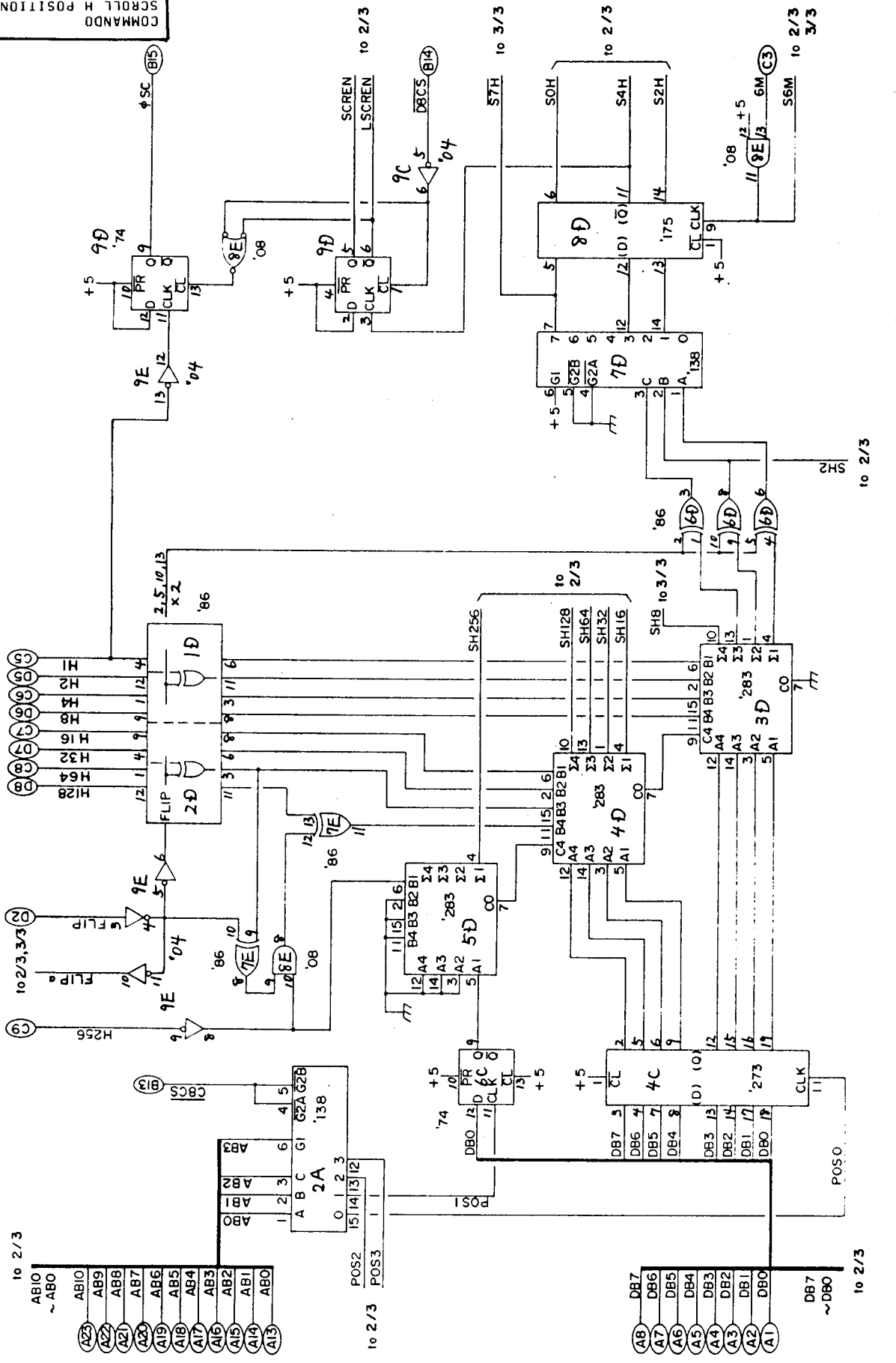
(NANAO)
20 INCH MONITOR KZ-20EN-D
K-10364



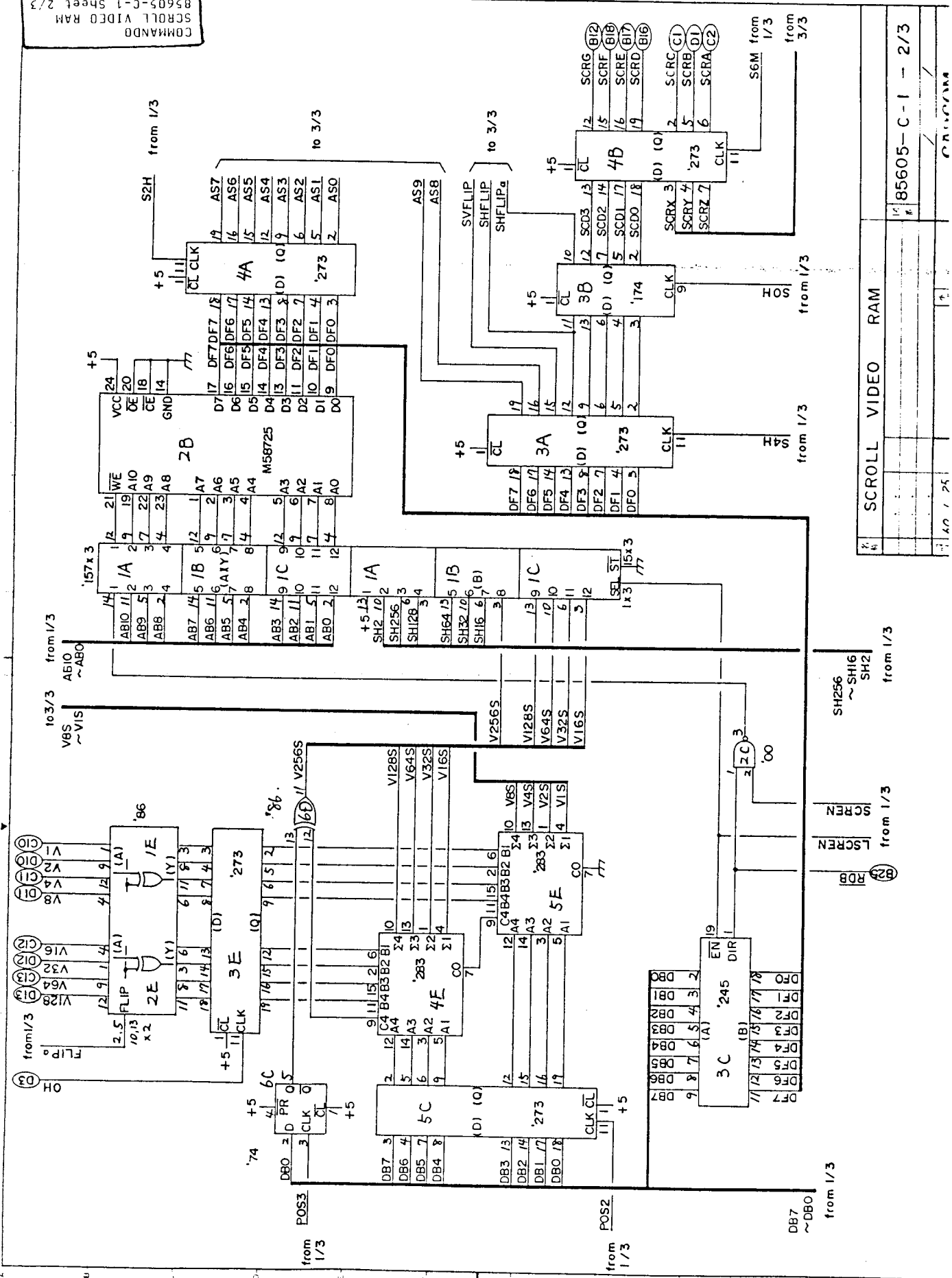
6X4-6X6: 12.5C118,
 6X5-6X5: 12.5A10W
 6X6-6X6: 12.5B118
 6X6-6X6: 12.5B118

PM1718
 SANWA

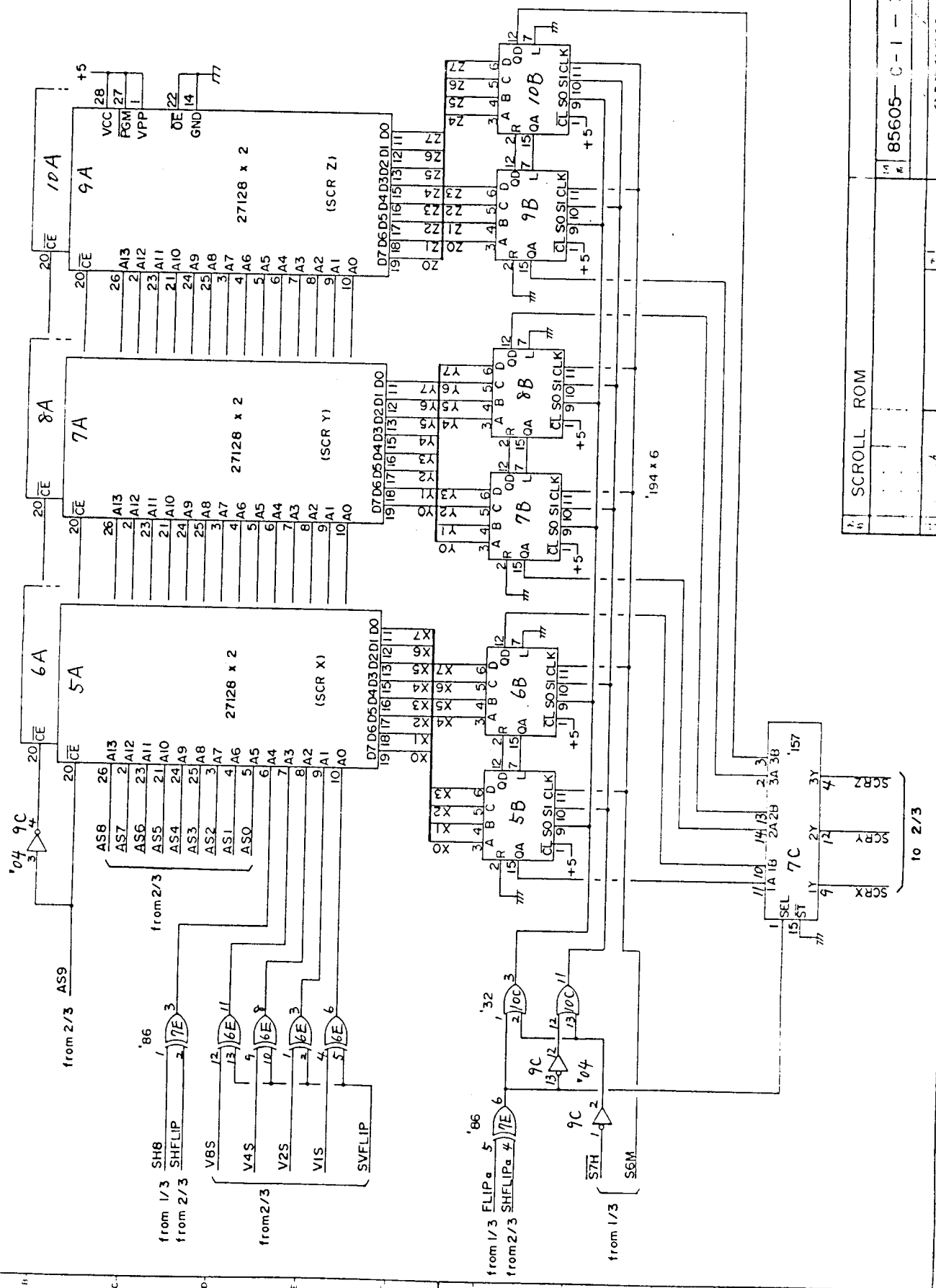




SCROLL H POSITION	85605 - C - 1 - 1/3
14/15	CADCOM



SCROLL VIDEO RAM	
1	1
2	2
3	3
4	4
5	5
6	6
7	7
8	8
9	9
10	10
11	11
12	12
13	13
14	14
15	15
16	16
17	17
18	18
19	19
20	20
21	21
22	22
23	23
24	24
25	25

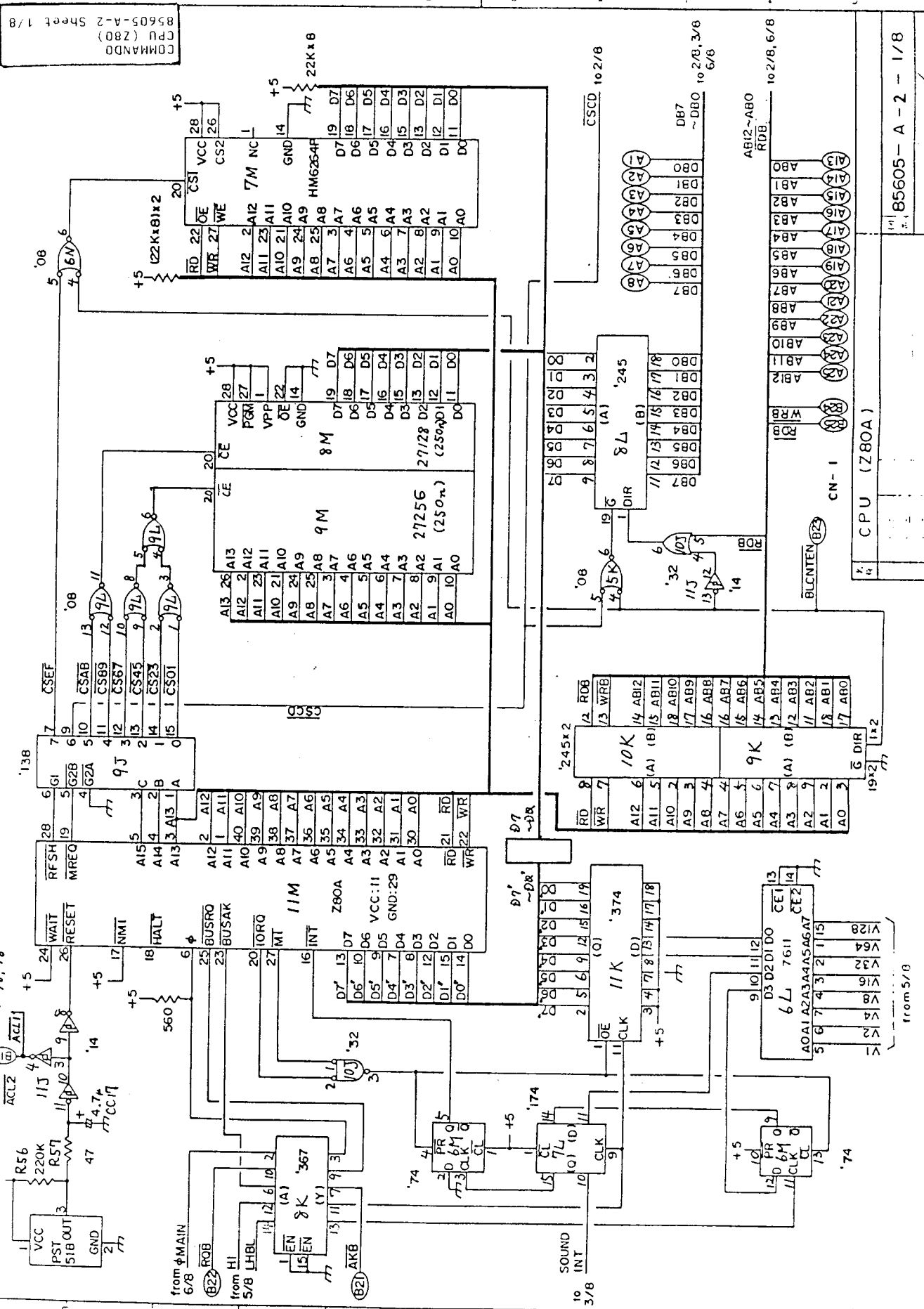


1	h	1	1
2	h	1	1
3	h	1	1
4	h	1	1
5	h	1	1
6	h	1	1
7	h	1	1
8	h	1	1
9	h	1	1
10	h	1	1
11	h	1	1
12	h	1	1
13	h	1	1
14	h	1	1
15	h	1	1
16	h	1	1
17	h	1	1
18	h	1	1
19	h	1	1
20	h	1	1
21	h	1	1
22	h	1	1
23	h	1	1
24	h	1	1
25	h	1	1
26	h	1	1
27	h	1	1
28	h	1	1
29	h	1	1
30	h	1	1
31	h	1	1
32	h	1	1
33	h	1	1
34	h	1	1
35	h	1	1
36	h	1	1
37	h	1	1
38	h	1	1
39	h	1	1
40	h	1	1
41	h	1	1
42	h	1	1
43	h	1	1
44	h	1	1
45	h	1	1
46	h	1	1
47	h	1	1
48	h	1	1
49	h	1	1
50	h	1	1
51	h	1	1
52	h	1	1
53	h	1	1
54	h	1	1
55	h	1	1
56	h	1	1
57	h	1	1
58	h	1	1
59	h	1	1
60	h	1	1
61	h	1	1
62	h	1	1
63	h	1	1
64	h	1	1
65	h	1	1
66	h	1	1
67	h	1	1
68	h	1	1
69	h	1	1
70	h	1	1
71	h	1	1
72	h	1	1
73	h	1	1
74	h	1	1
75	h	1	1
76	h	1	1
77	h	1	1
78	h	1	1
79	h	1	1
80	h	1	1
81	h	1	1
82	h	1	1
83	h	1	1
84	h	1	1
85	h	1	1
86	h	1	1
87	h	1	1
88	h	1	1
89	h	1	1
90	h	1	1
91	h	1	1
92	h	1	1
93	h	1	1
94	h	1	1
95	h	1	1
96	h	1	1
97	h	1	1
98	h	1	1
99	h	1	1
100	h	1	1

COMMANDO

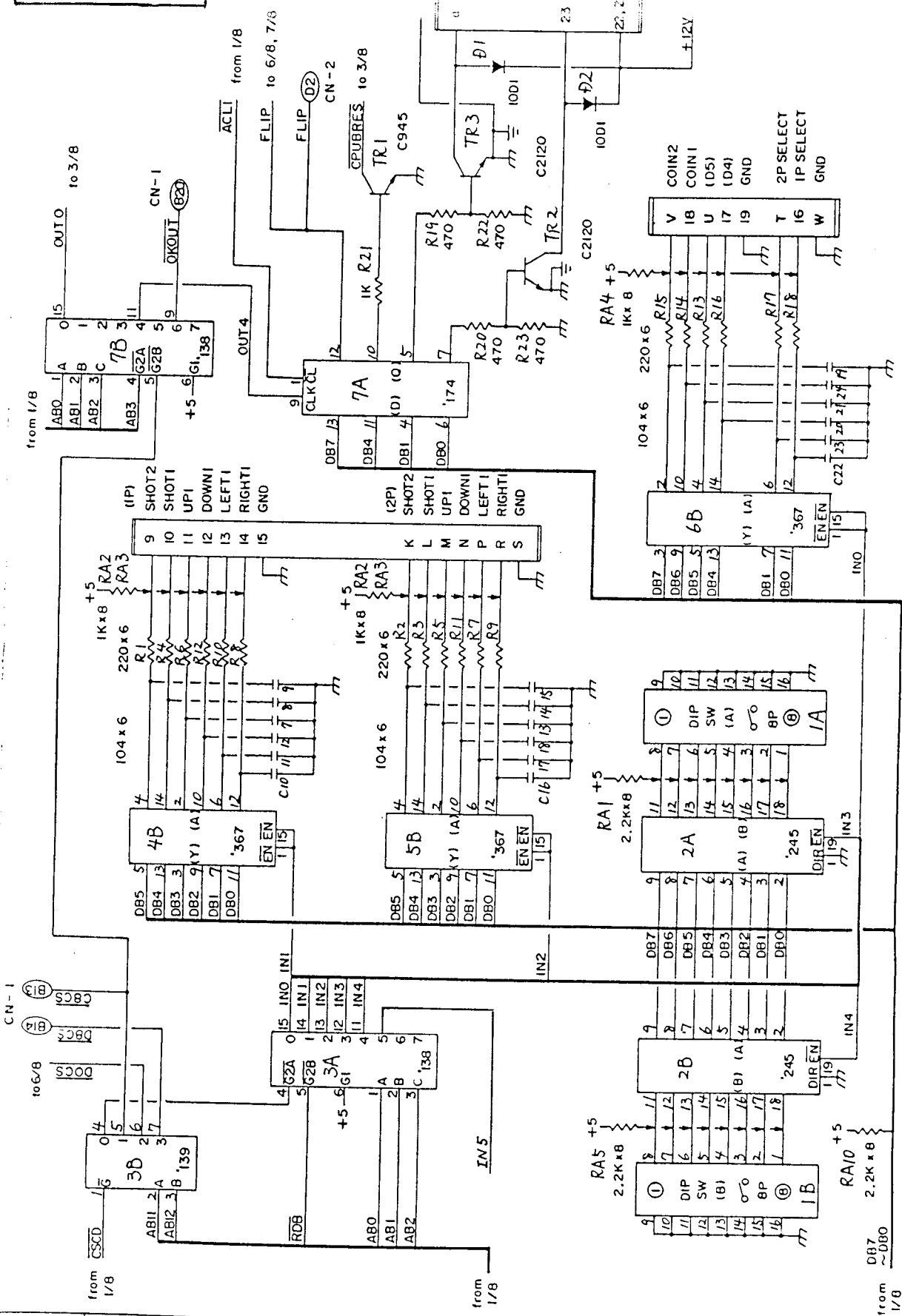
SCROLL ROM

85605-C-1 - 3/3

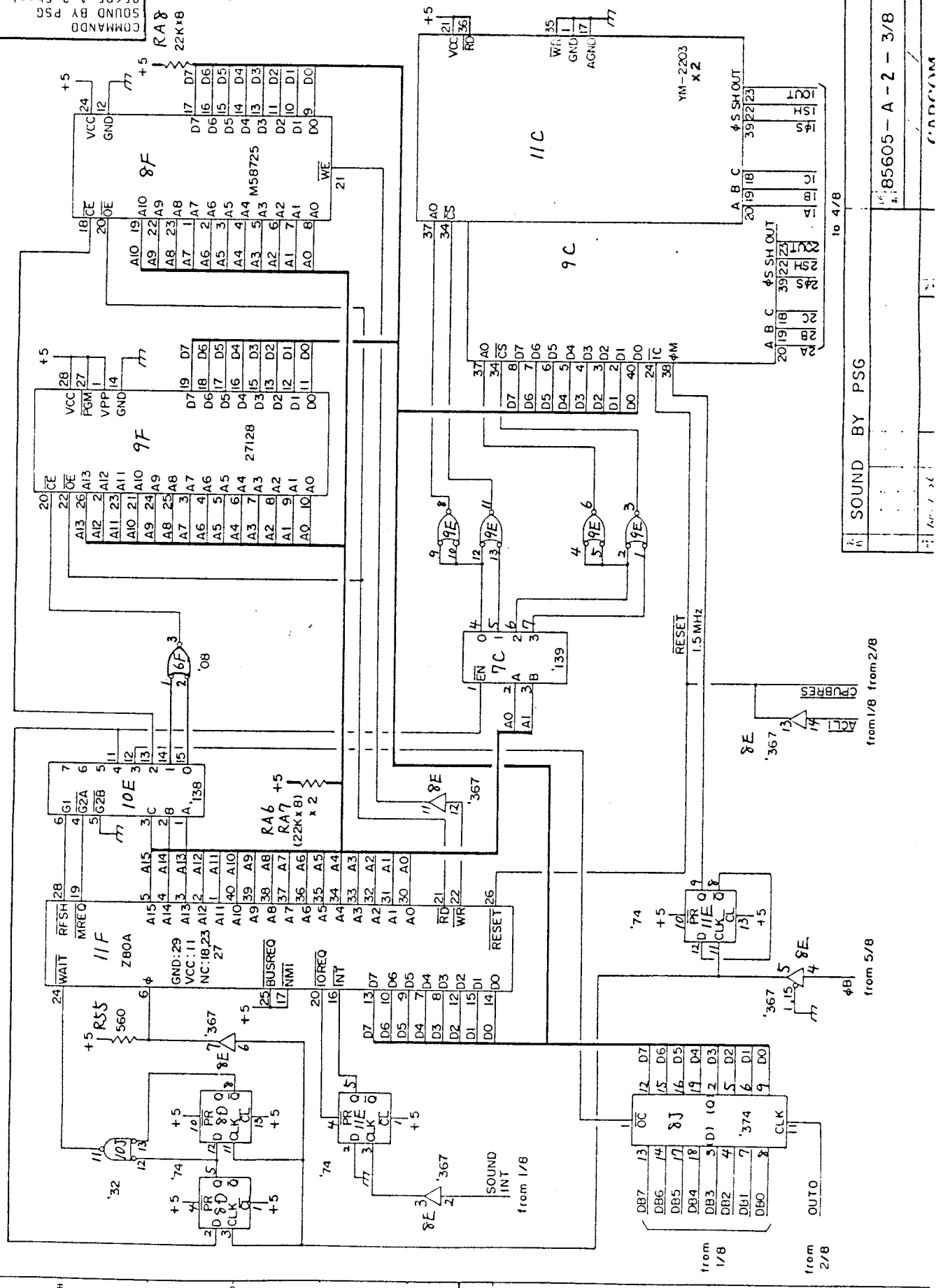


COMMANDO
CPU (Z80)
85605-A-2 Sheet 1/8

85605-A-2 - 1/8



14	15	16	17	18	19	20	21	22	23	24	25	26	27	28	29	30	31	32	33	34	35	36	37	38	39	40	41	42	43	44	45	46	47	48	49	50	51	52	53	54	55	56	57	58	59	60	61	62	63	64	65	66	67	68	69	70	71	72	73	74	75	76	77	78	79	80	81	82	83	84	85	86	87	88	89	90	91	92	93	94	95	96	97	98	99	100													
I/O PORT																																																																																																			



1	2	3	4	5	6	7	8	9	10	11	12	13	14	15	16	17	18	19	20	21	22	23	24	25	26	27	28	29	30	31	32	33	34	35	36	37	38	39	40	41	42	43	44	45	46	47	48	49	50	51	52	53	54	55	56	57	58	59	60	61	62	63	64	65	66	67	68	69	70	71	72	73	74	75	76	77	78	79	80	81	82	83	84	85	86	87	88	89	90	91	92	93	94	95	96	97	98	99	100
---	---	---	---	---	---	---	---	---	----	----	----	----	----	----	----	----	----	----	----	----	----	----	----	----	----	----	----	----	----	----	----	----	----	----	----	----	----	----	----	----	----	----	----	----	----	----	----	----	----	----	----	----	----	----	----	----	----	----	----	----	----	----	----	----	----	----	----	----	----	----	----	----	----	----	----	----	----	----	----	----	----	----	----	----	----	----	----	----	----	----	----	----	----	----	----	----	----	----	-----

SOUND BY PSG

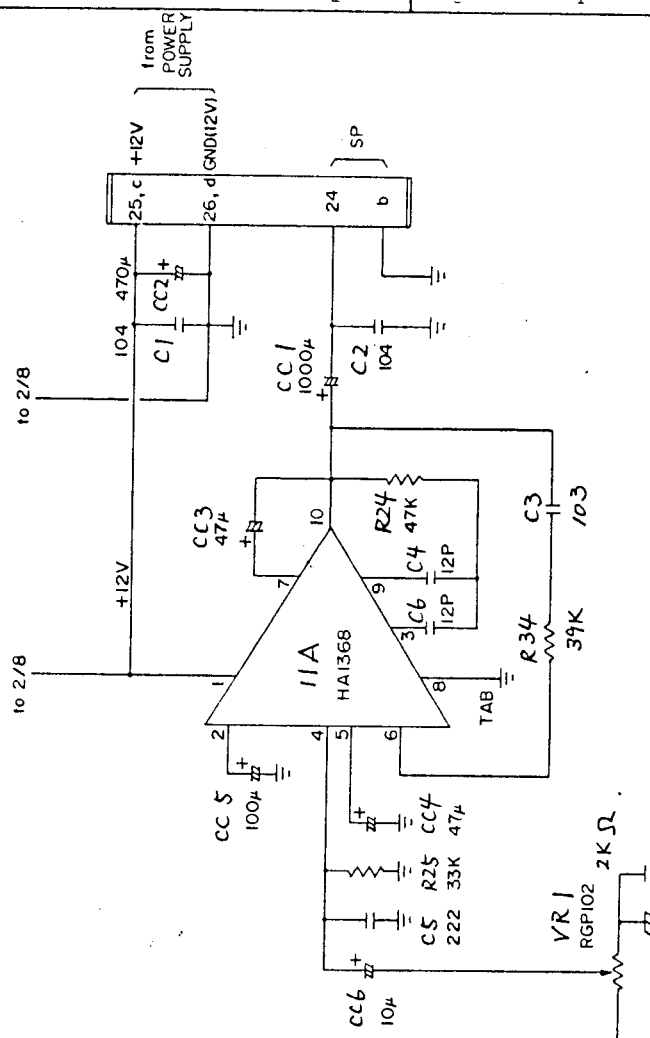
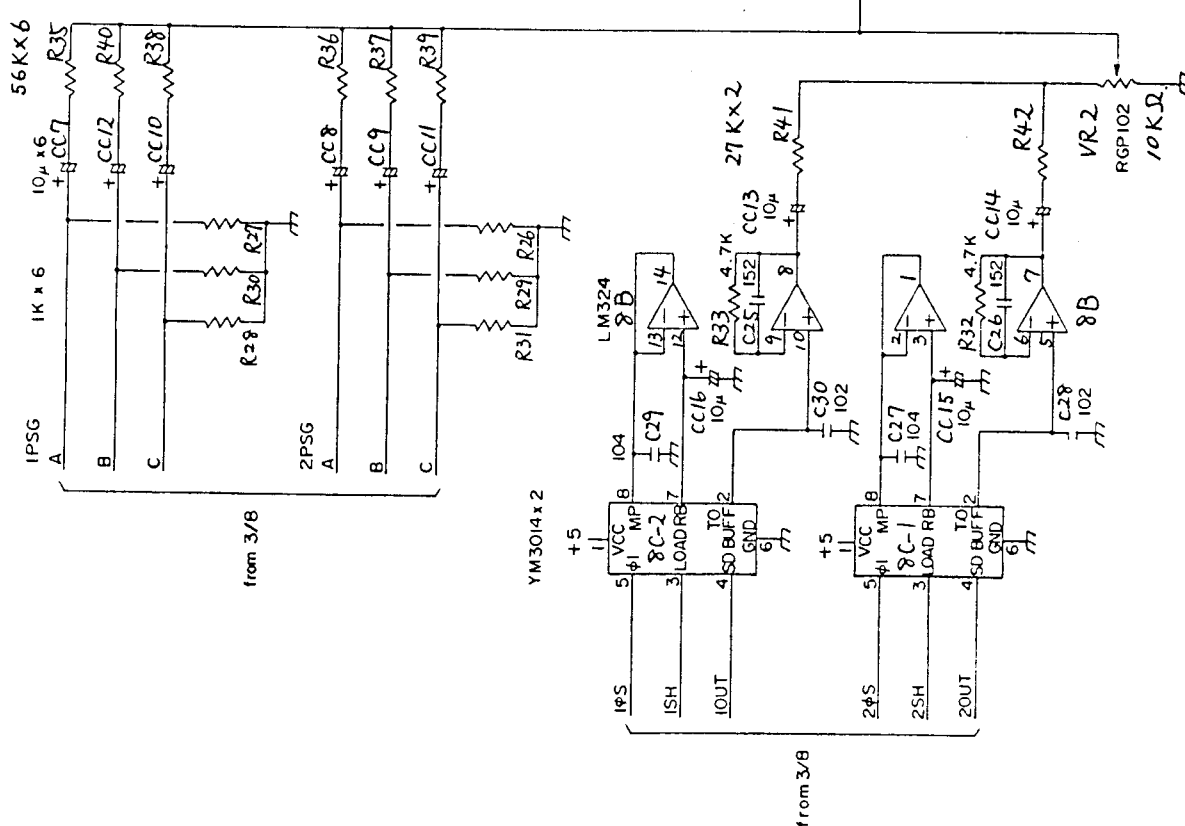
85605-A-2 - 3/8

to 4/8

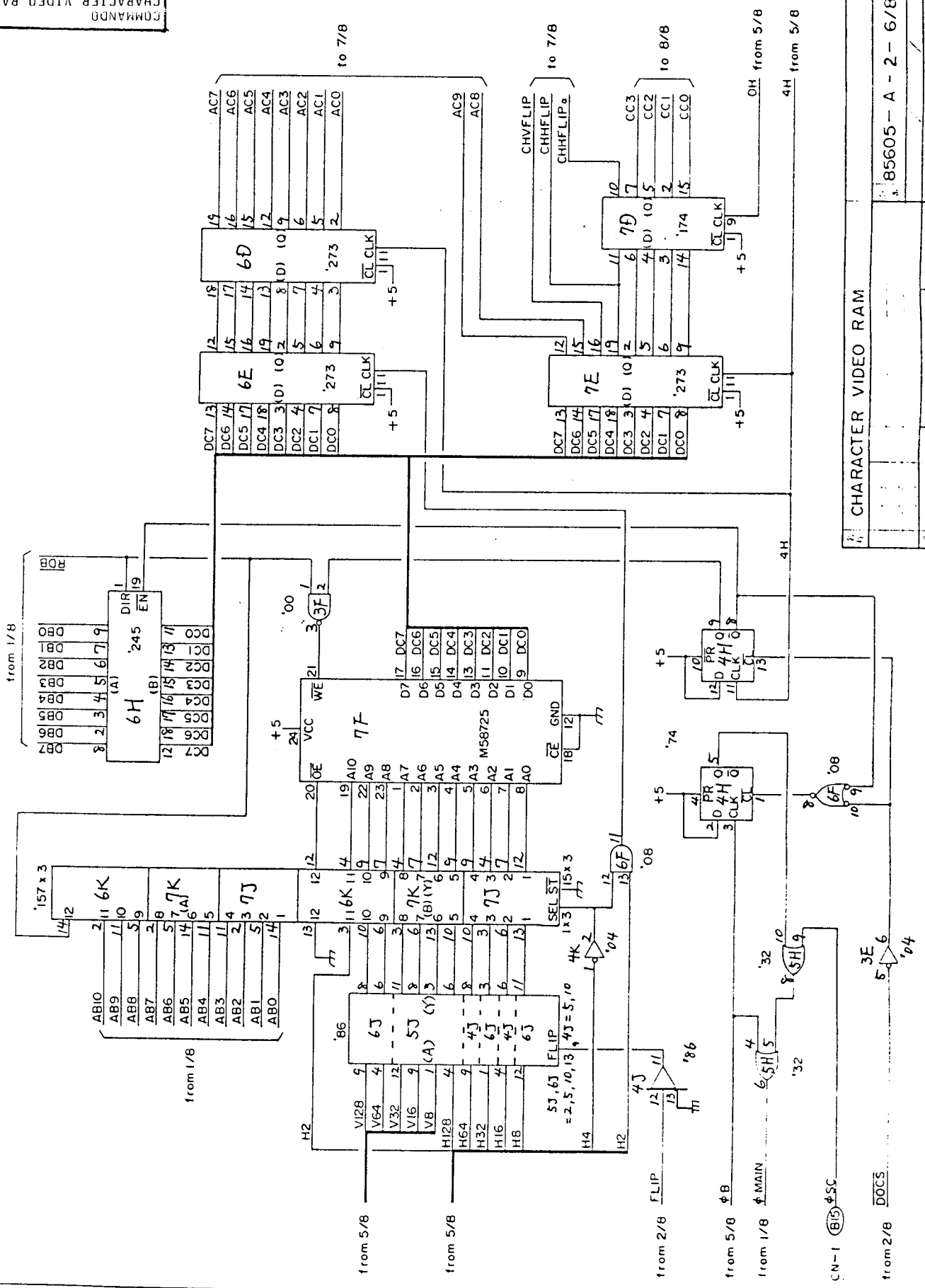
from 1/8

from 2/8

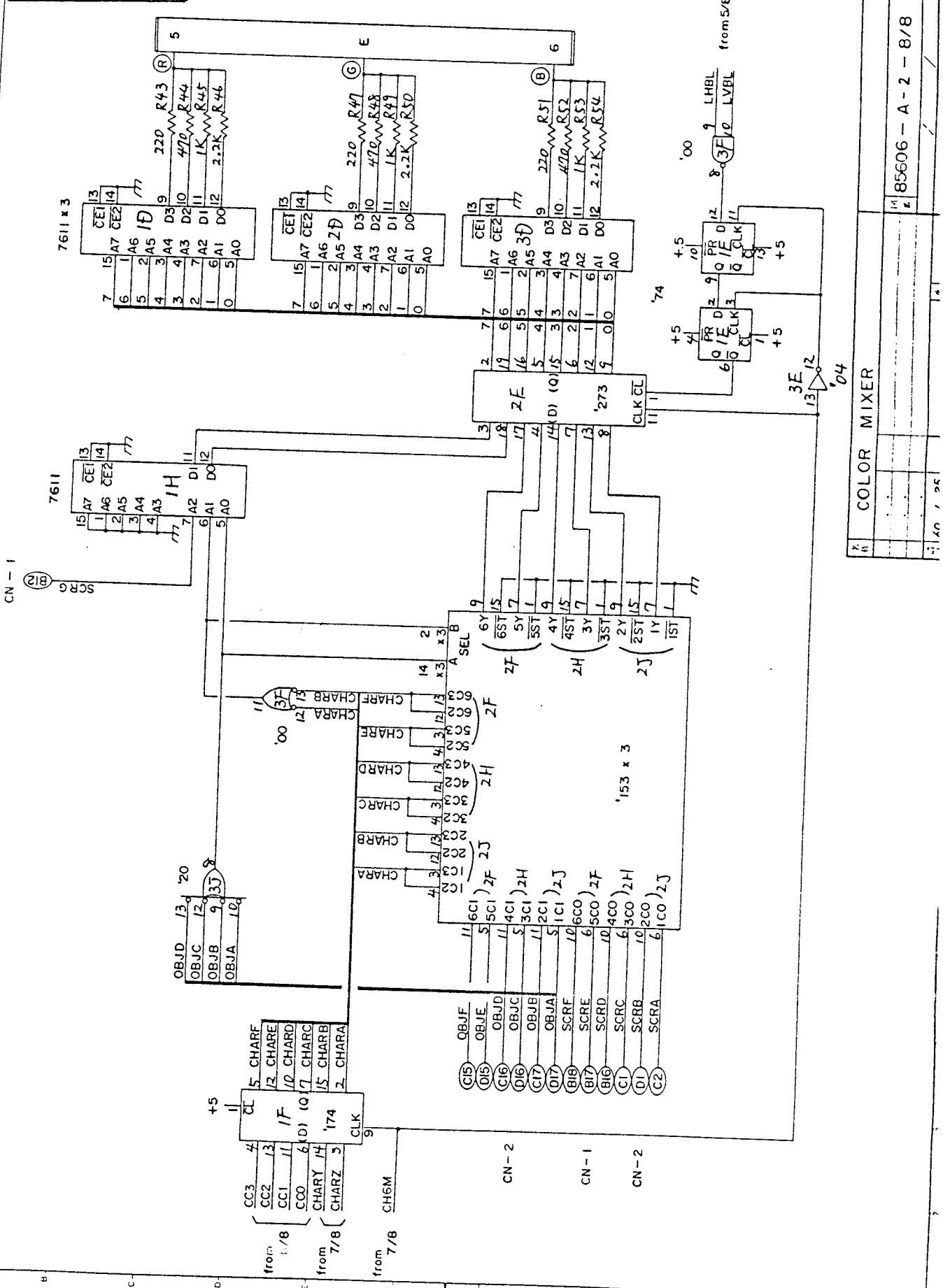
from 5/8



MAIN AMP	
60.4.1	R35~R40 55K→56K 容値変更
4.1	R41, R42 55K→27K 変更
85605-A-2-4/8	



CHARACTER VIDEO RAM
85605-A-2-6/8

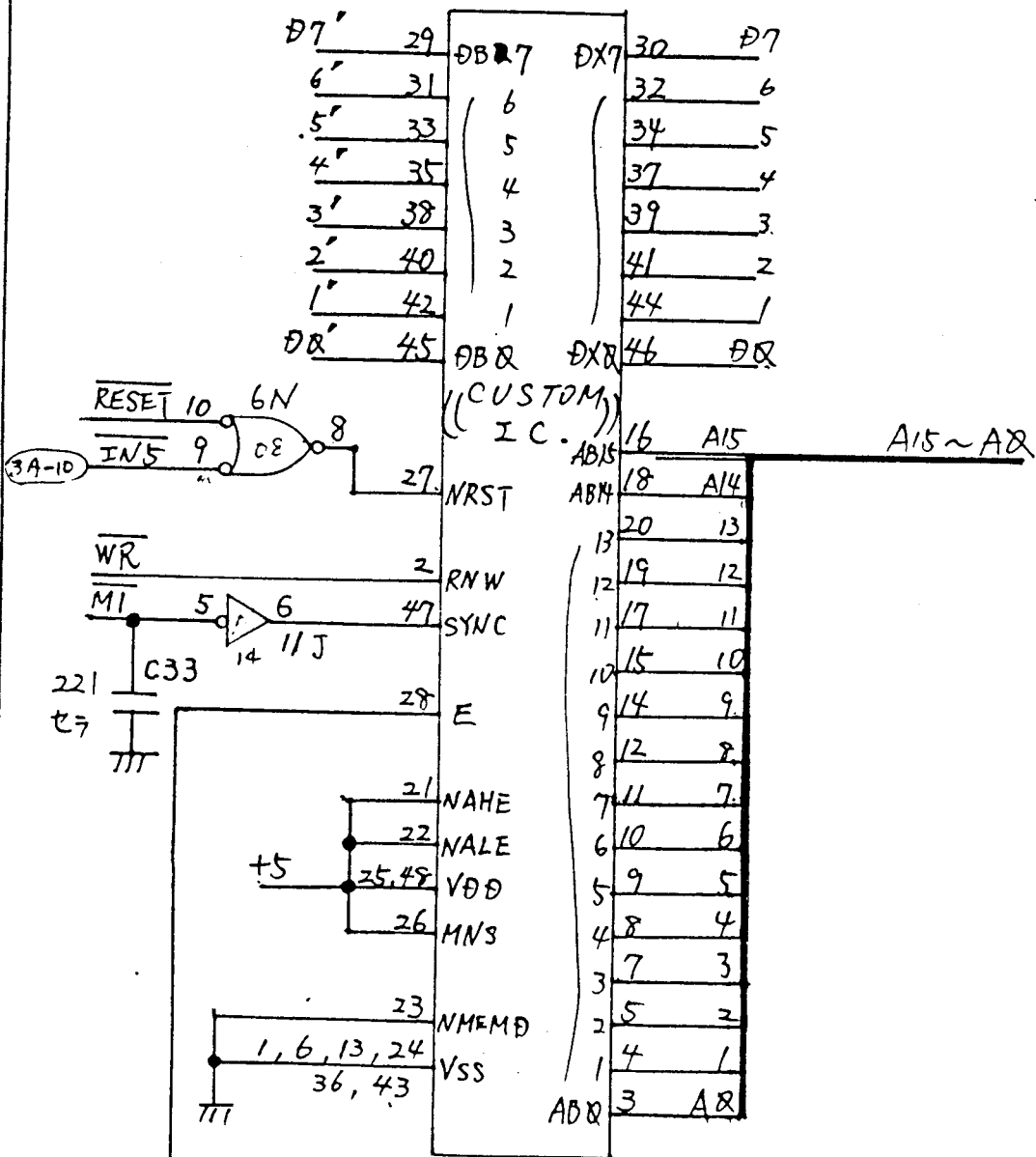


COLOR MIXER	
14	85606 - A - 2 - 8/8
14	14

CPU側

10M

Memory側

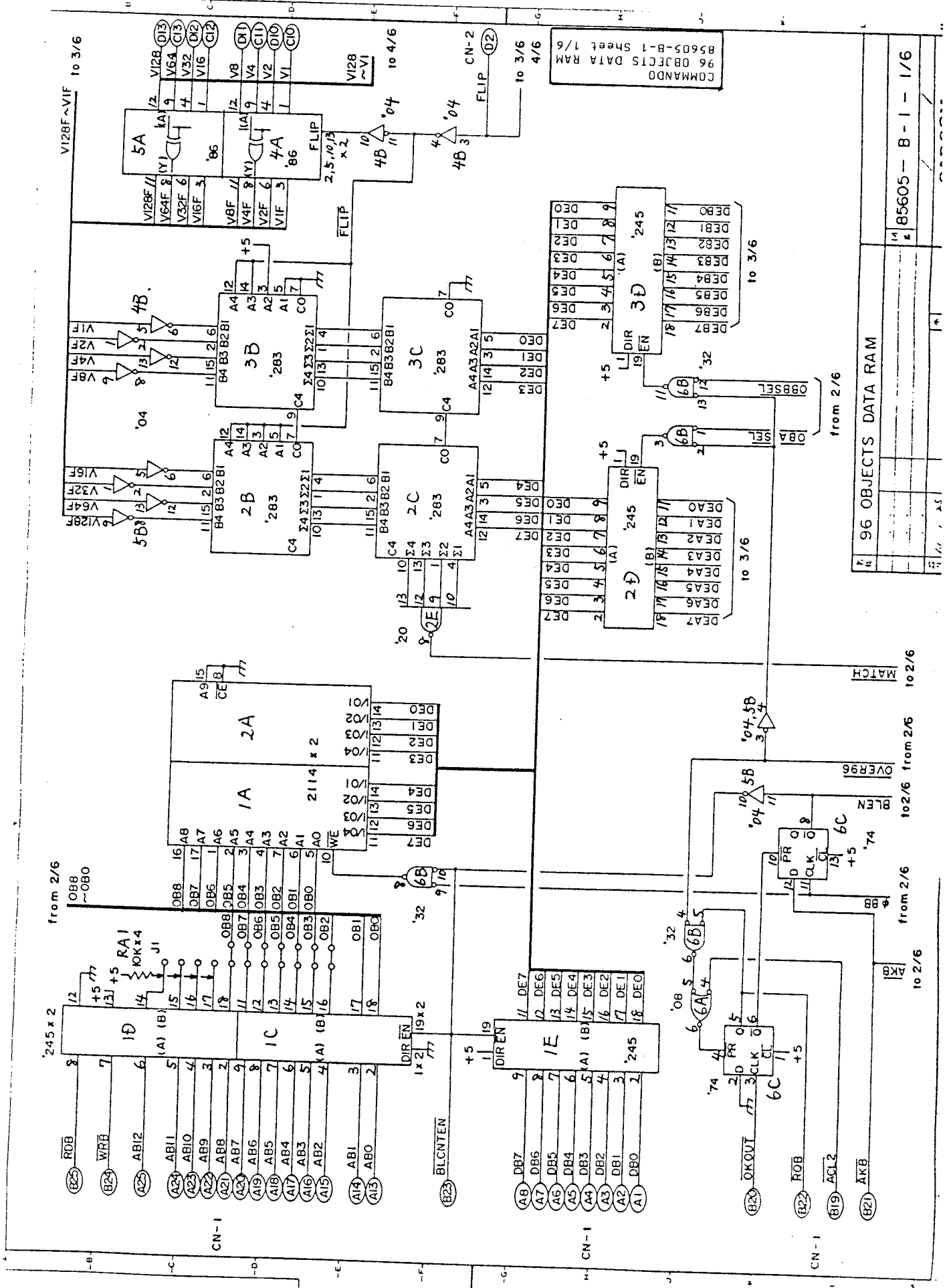


(SIGNAL)

IN5 のみ 2/8 8')

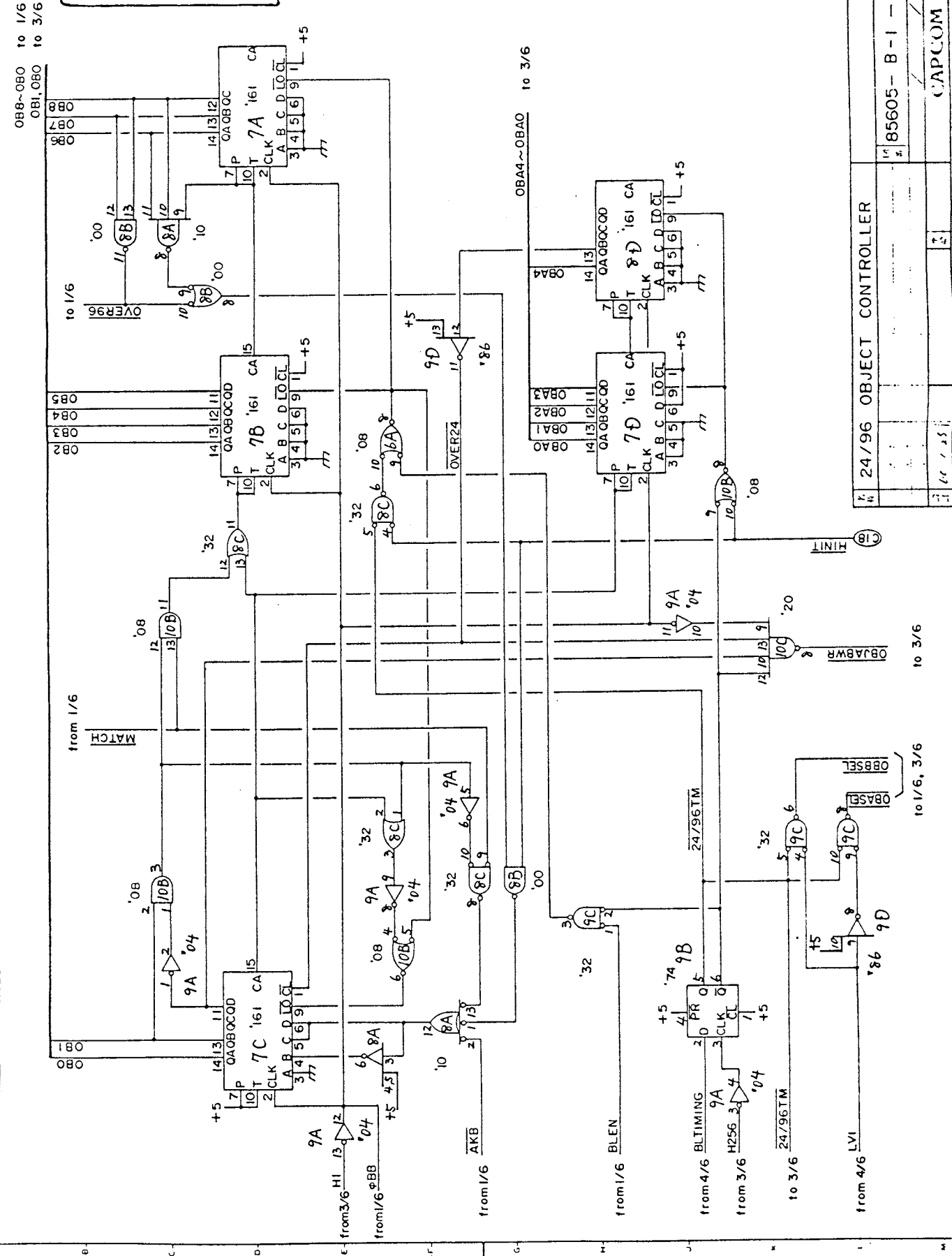
(図番)

COMMANDO
CUSTOM CHIP
85605-A-2 Sheet 1/1

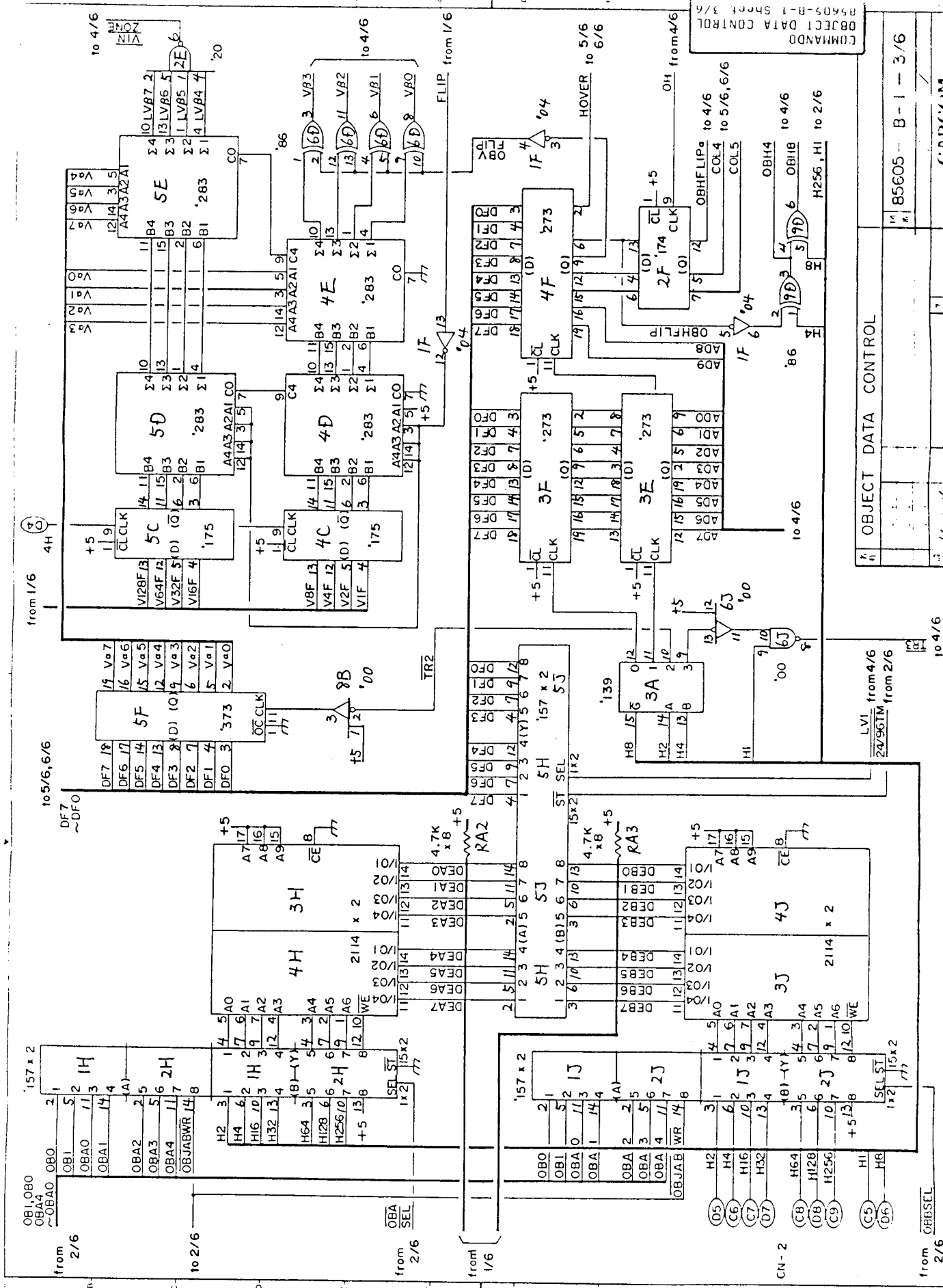


85605-B-1 Sheet 1/6
 COMMANDO
 96 OBJECTS DATA RAM

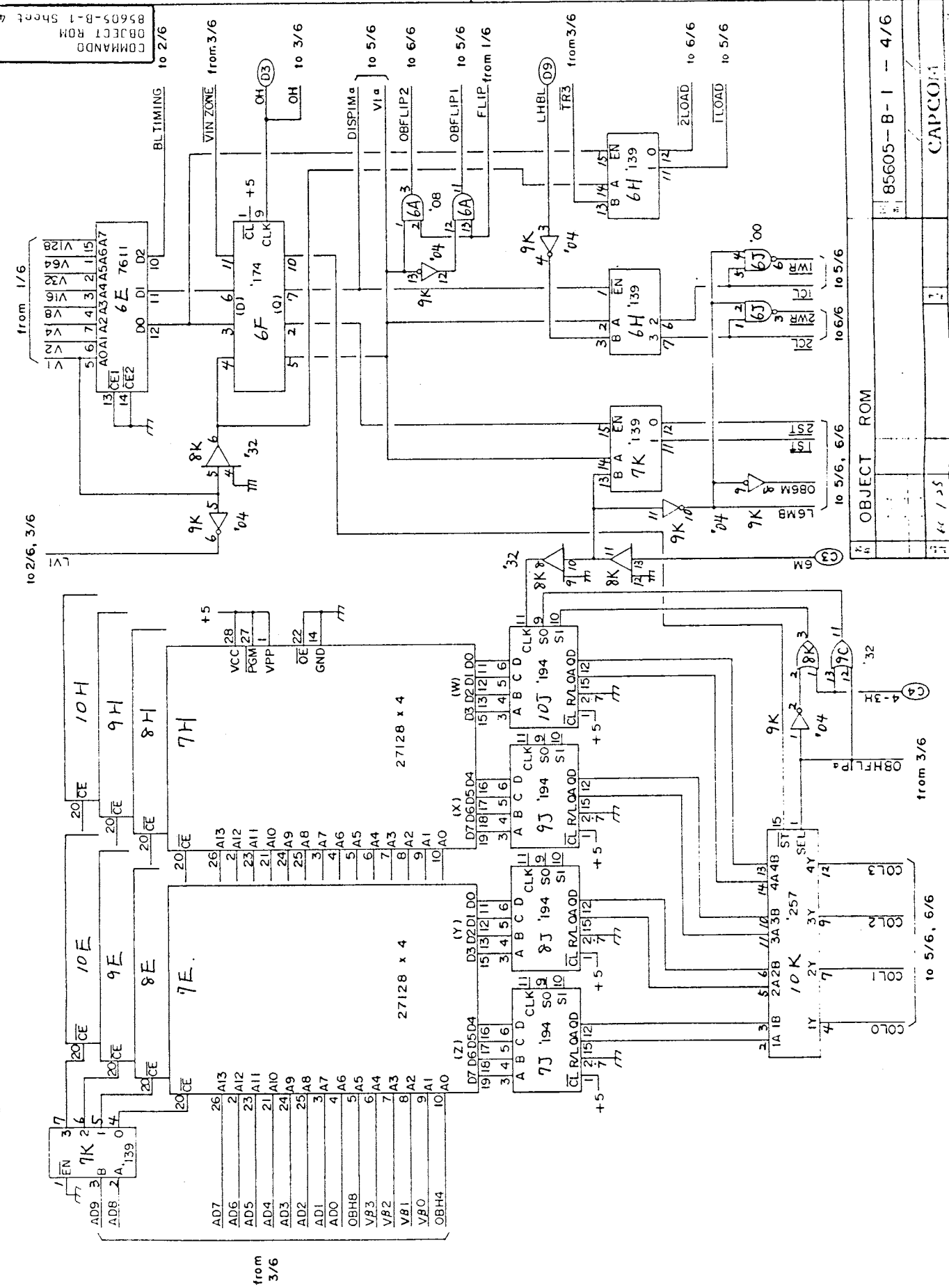
96 OBJECTS DATA RAM	
14	85605-B-1-1/6



14	24/96 OBJECT CONTROLLER
15	85605-B-1 - 2/6
16	CAPCOM



COMMANDO OBJECT DATA CONTROL 85605-B-1 Sheet 3/6	
7	OBJECT DATA CONTROL
8	85605-B-1 - 3/6



85605-B-1	4/6
OBJECT ROM	
85605-B-1	4/6
CAPCOM	

LIMITED WARRANTY

Data East USA, Inc. ("Seller"), warrants only to the initial purchaser of its products that the items listed below are free from defects in material and workmanship under normal use and service for the warranty periods specified:

- A. Printed circuit boards (90) days
- B. Television monitor (30) days

No other parts of Seller's products are warranted.

Warranty periods are effective from the initial date of shipment from Seller to its authorized distributors.

Seller's sole liability shall be, at its option, to repair or replace products which are returned to Seller during the warranty periods specified, provided:

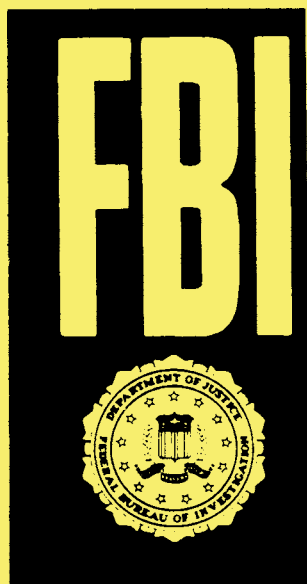
- A. Seller is notified promptly upon discovery by buyer that stated products are defective.
- B. Such products are properly packaged and then returned, prepaid to Seller's plant.

This warranty does not apply to any parts damaged during shipping or handling, or due to improper installation or usage, or alteration. In no event shall Seller be liable for any anticipated profits, loss of profits, loss of use, incidental or consequential damages or any other losses incurred by the customer in connection with the purchase of a Data East USA, Inc. product.

(WARRANTY DISCLAIMER)

EXCEPT AS SPECIFICALLY PROVIDED IN A WRITTEN CONTRACT BETWEEN SELLER AND PURCHASER, THERE ARE NO OTHER WARRANTIES, EXPRESSED OR IMPLIED, INCLUDING ANY IMPLIED WARRANTIES OF MERCHANTABILITY OR FITNESS FOR A PARTICULAR PURPOSE.

DATE: 5-01-85



WARNING

Federal law provides severe civil and criminal penalties for the unauthorized reproduction, distribution, or exhibition of copyrighted audiovisual works and video games.

The Federal Bureau of Investigation investigates allegations of criminal copyright infringement.

