

1 ST PRINTING

SEGA[®]
Super
Monaco GP
OWNERS MANUAL



SEGA ENTERPRISES, INC

MANUAL NO. 420-5905-03

TABLE OF CONTENTS

	INTRODUCTION TO THE OWNER'S MANUAL.....	2
1.	HANDLING PRECAUTIONS.....	2
2.	PREVENTION OF COUNTERFEITING AND CONVERSION.....	3
3.	PRECAUTIONS CONCERNING THE PLACE OF INSTALLATION.....	4
4.	NAME OF PARTS.....	5 - 6
5.	HANDLING THE FRESNEL LENS.....	7
6.	REMOVING THE SHIFT LEVER UNIT AND REPLACING THE SWITCH.....	9
7.	STEERING HANDLE VR ADJUSTMENTS.....	12
8.	REMOVING THE ACCELERATOR/BRAKE UNIT AND ADJUSTING THE VR.....	13
9.	DESCRIPTION OF 19 INCH MONITOR.....	14
10.	SERVICE SWITCHES.....	15
11.	DIP SWITCH SETTING.....	16
12.	TEST MODES.....	17
13.	ROM LOCATIONS.....	26
14.	PARTS LIST.....	28 - 54
15.	WIRING DIAGRAM.....	55 - 56

UPRIGHT TYPE SPECIFICATIONS

INSTALLATION SPACE...	: 40.6 IN. X 25.2
HEIGHT.....	: 74 IN.
POWER.....	: 155 WATTS
C.R.T.....	: 19 INCH
WEIGHT.....	: 286 LBS.

NOTE: DESCRIPTIONS HEREIN CONTAINED MAY BE SUBJECT TO IMPROVEMENT CHANGES WITHOUT NOTICE

INTRODUCTION OF THE OWNER'S MANUAL

SEGA ENTERPRISES, LTD., supported by its high electronic technology of LSIs, microprocessors, etc. and a wealth of experience, has for more than 30 years been supplying various innovative and popular game machines to the world market. This OWNER'S manual is intended to provide detailed comments together with all the necessary information covering the operation in general of electronic assemblies, electromechanicals servicing control, spare parts, etc. as regards the **SUPER MONACO GP** a new SEGA product. The manual is intended for those who have knowledge of electricity and technical expertise especially in ICs, CRTs, microprocessors, etc. Carefully read so as to acquire sufficient knowledge before working on the machine. Should there be a malfunction, non-technical personnel should under no circumstance touch the interior system.

I. HANDLING PRECAUTIONS

When installing or inspecting, be very careful of the following points and pay attention to ensure that the player can enjoy the game safely.

- o Be sure to turn the power off before turning on the machine.
- o To insert or pull out the plug quickly is dangerous.
- o It is necessary to make sure that the power cord or the grounding wire is not exposed on the road, etc. in a manner so as to be dangerous. Make sure that grounding connections are made safely at the position where specified.
- o Do not use any fuse that does not meet the specified rating.
- o Make complete connections for the IC board and other connectors. Insufficient insertion is very dangerous.

Also, for the IC board circuit inspections, only the logic tone is allowed. The use of a tester is not permitted, so be careful in this regard. After confirming that there are no irregularities, turn the power ON.

2. PREVENTION OF COUNTERFEITING AND CONVERSION

LABELLING

To prevent counterfeits and conversions, the following labels are put on all the SEGA products. When handling such goods, be sure to confirm the labels. They are used to prevent illegal acts such as the unauthorized copying of the products and the printed circuit boards thereof or carrying on business by manufacturing similar merchandise or by converting, selling or using such products or printed circuit boards.

The following seal is put on the machines manufactured by SEGA.

ORIGINAL SEAL



COPYRIGHT NOTICE

This SEGA product has the copyright notice as follows:

© SEGA 1989

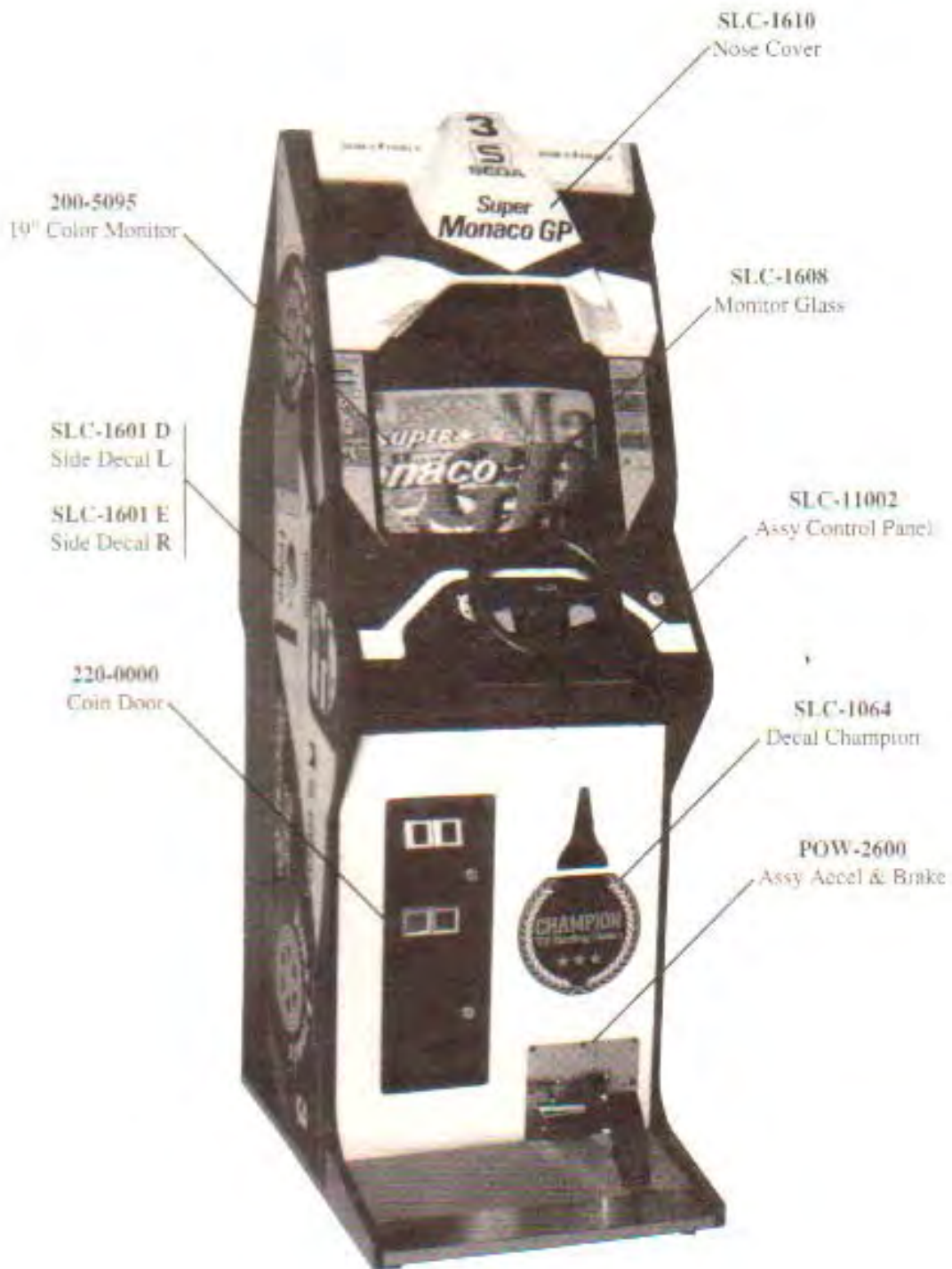
This signifies that this work was disclosed in 1989 and is the property of SEGA ENTERPRISES, LTD.

3. PRECAUTIONS CONCERNING THE PLACE OF INSTALLATION

The **SUPER MONACO GP** is an indoor game machine. Absolutely do not install it outside. Even indoors, avoid installing in places mentioned below so as to ensure proper usage:

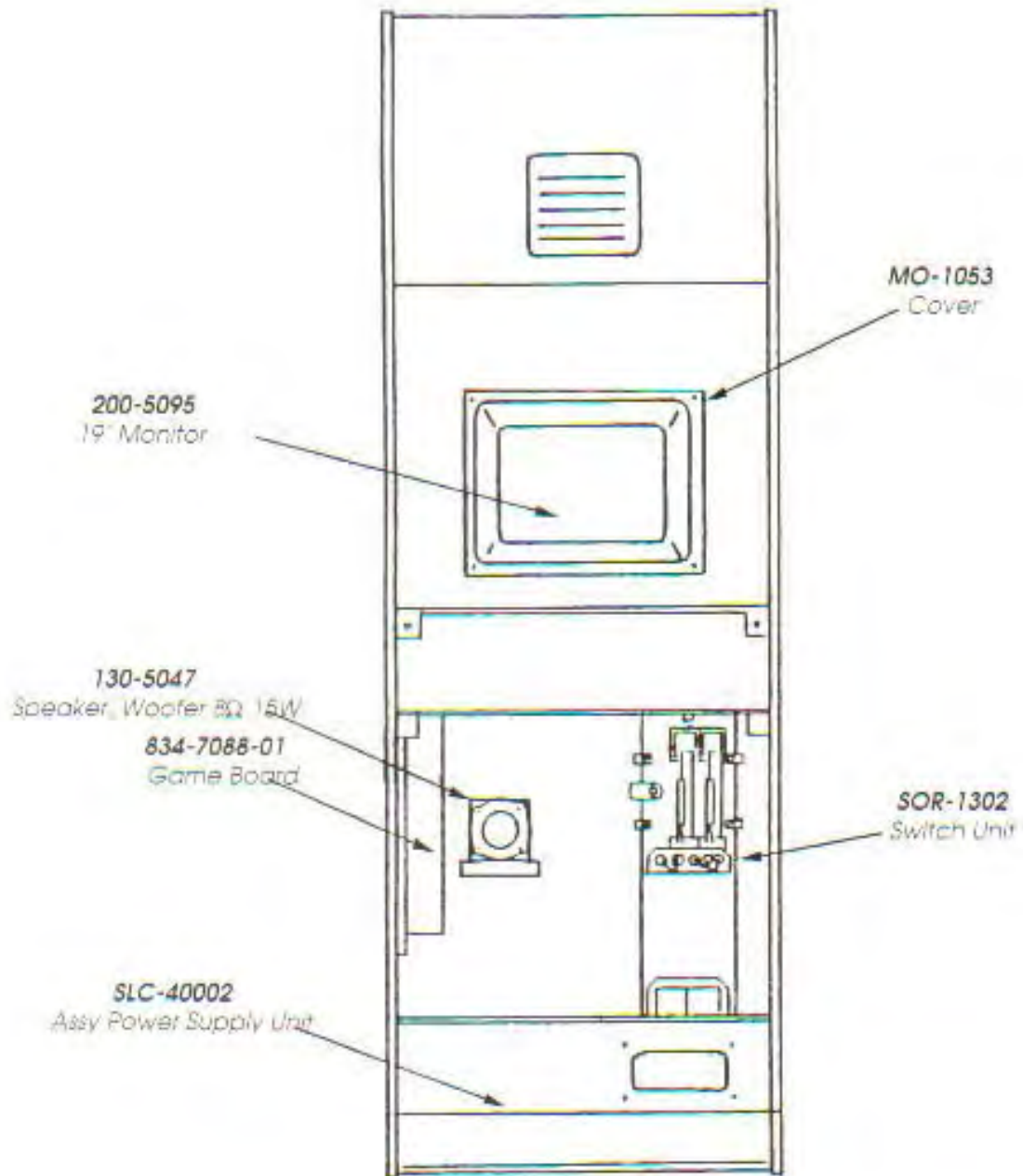
- o Places subject to rain or water leakage, or condensation due to humidity.
- o In the proximity of an indoor swimming pool and/or shower.
- o Places subject to direct sunlight.
- o Places subject to heat sources from heating units, etc., or hot air.
- o Vicinity of highly inflammable/volatile chemicals or hazardous matter.
- o Sloped surfaces.
- o Vicinity of anti-disaster facilities such as fire exits and fire extinguishers.
- o Places subject to any type of violent impact.
- o Dusty places.

4. NAME OF PARTS - I

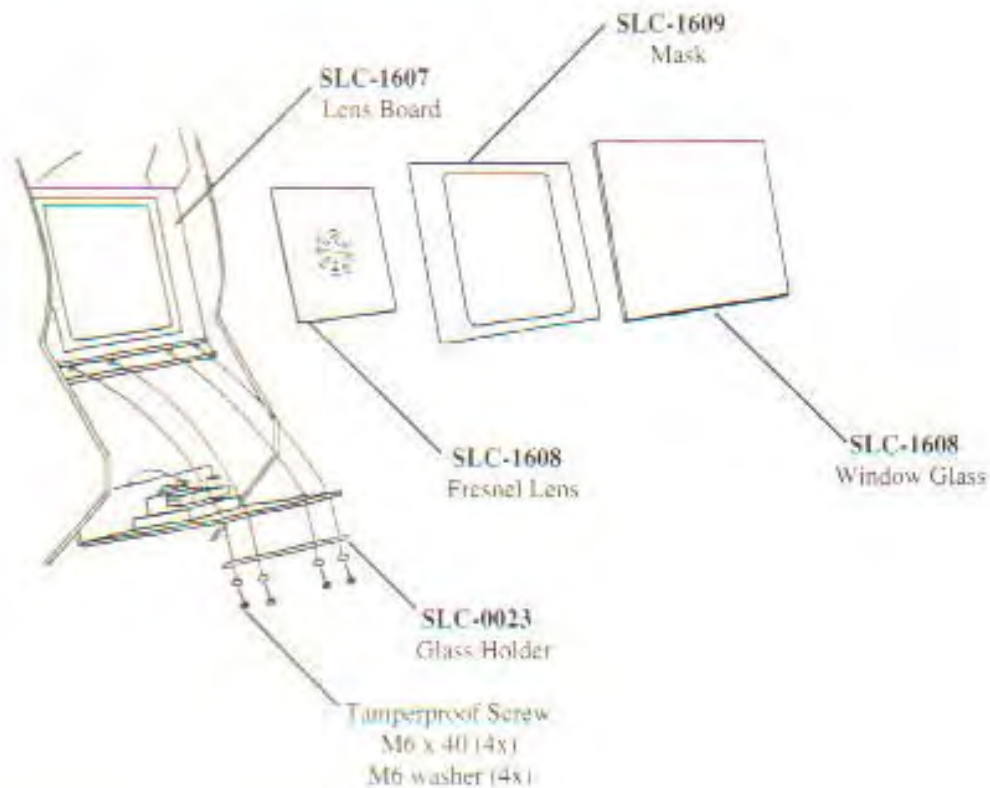


Super Monaco GP

NAME OF PARTS - 2



5. HANDLING THE FRESNEL LENS



(1) REMOVING THE FRESNEL LENS

Remove the GLASS HOLDER (SLC-0023) by taking off the four M6 x 40 TAMPER PROOF SCREWS.

The WINDOW GLASS (SLC-1608), MASK (SLC-1609), and FRESNEL LENS (SLC-1068) can be removed by opening the CONTROL PANEL. The FRESNEL LENS is inserted in the LENS BOARD (SLC-1607). Pay careful attention so as not to cause damage to the lens mentioned above.

(2) FRESNEL LENS CLEANING, ETC.

When dust, etc. adheres to the FRESNEL LENS, remove them by lightly wiping it off, using a soft cloth such as gauze, etc. with chemical detergent or alcohol being applied, and then wring it out thoroughly (when a chemical detergent is used for wiping, lightly wipe it off again with a soft cloth after applying water to it and wringing it out completely). At this time, the adhered dust can easily be removed by wiping the FRESNEL LENS surface (convexed, concaved) along the arc.

(3) INSTALLING THE FRESNEL LENS

When installing the FRESNEL LENS, pay careful attention so that the surface (convexed, concaved) is positioned towards you, in the procedure opposite to that used when it was disassembled.

(4) FRESNEL LENS HANDING PRECAUTIONS

When the FRESNEL LENS is subject to extremely hot temperatures, it deforms due to its properties, therefore, you should keep it away from heating equipment such as heaters, etc.

This LENS warps when it is located at places where the temperature and humidity are extremely high, therefore, pay careful attention to this point.

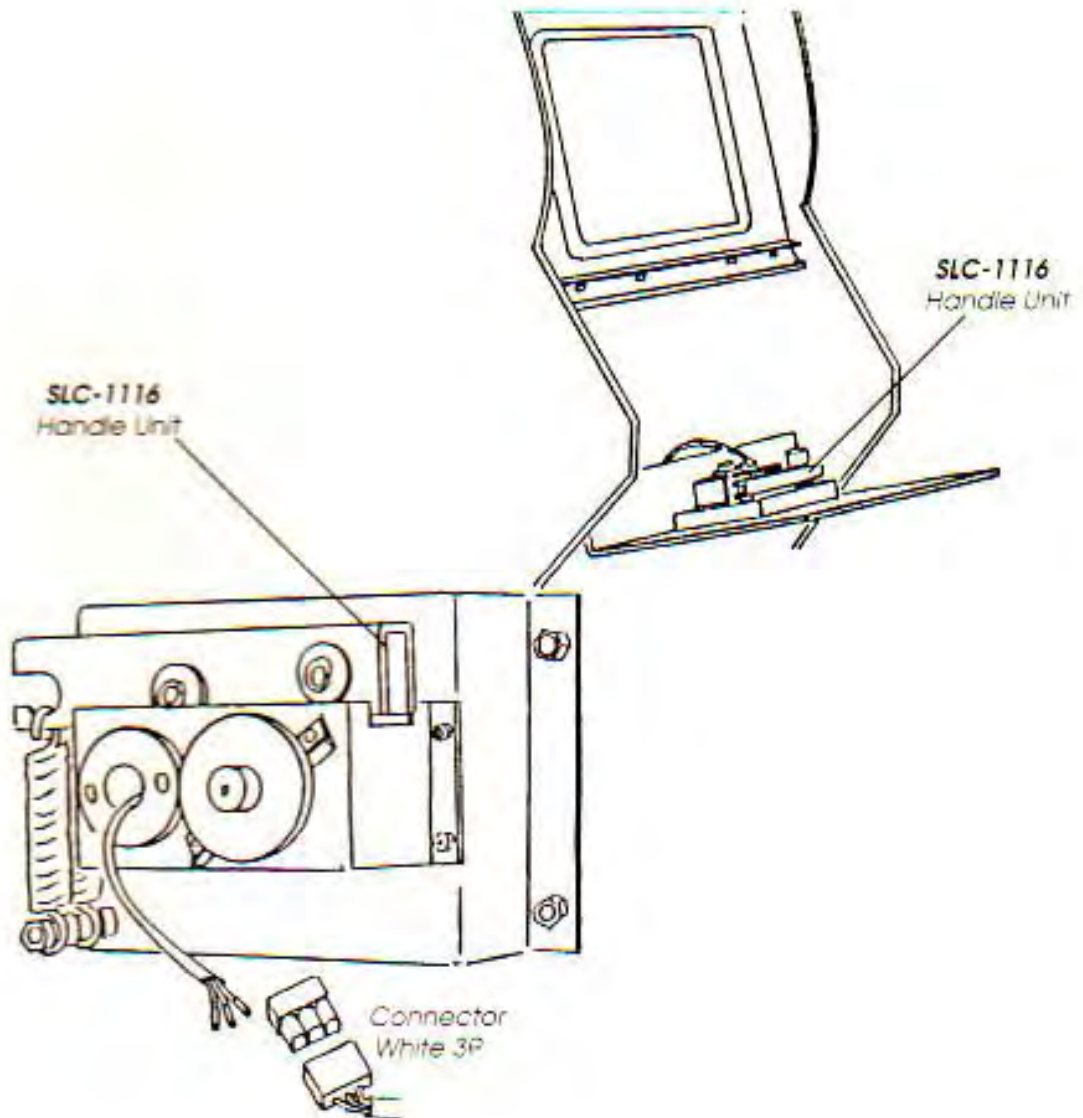
Since the LENS surface can easily be damaged, do not rub it with hard items such as a brush, etc.

Do not wipe the LENS with a cloth containing volatile matter such as thinner, gasoline, insecticide, etc. (using said matter may cause the LENS to be cracked even in a location that has a regular room temperature).

6. REMOVING THE SHIFT LEVER UNIT AND REPLACING THE SWITCH

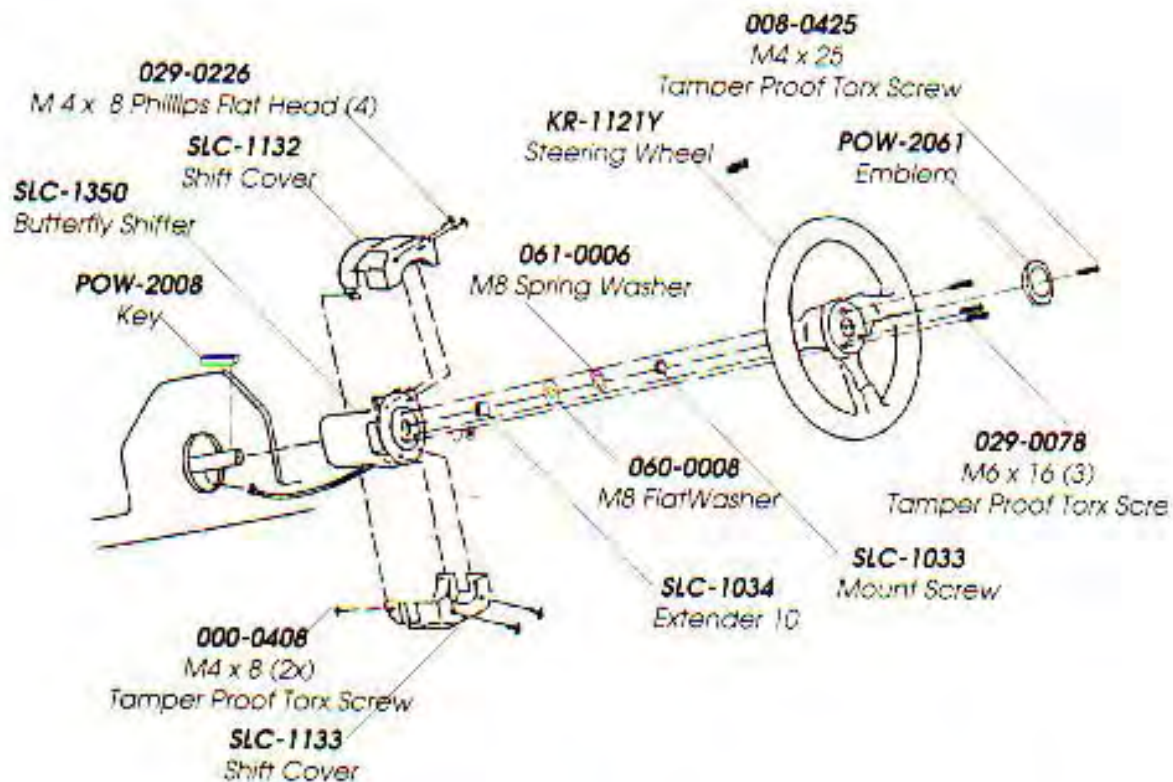
REMOVING THE SHIFT UNIT

- (1) Open the CONTROL PANEL (refer to 5. HANDLING THE FRESNEL LENS).
- (2) Disconnect the CONNECTOR (white 3P) of the wire (gray) which comes out of the HANDLE UNIT (SLC-1116) and also disconnect the CONNECTOR PINS, in the manner as shown.



Super Monaco GP

- (3) Take off the EMBLEM (POW-2061) by taking out the M4 TAMPER PROOF SCREW,
- (4) Remove the STEERING HANDLE (KR-1121Y) by taking off the three M6 CAP SCREWS,
- (5) Remove the two SHIFT COVERS (SLC-1132, SLC-1133) by taking off the two M4 TAMPER PROOF SCREWS, and the four M4 FLAT SCREWS,
- (6) Remove the MOUNT SCREW (SLC-1033) and take out the SHIFT LEVER UNIT (SLC-1350).



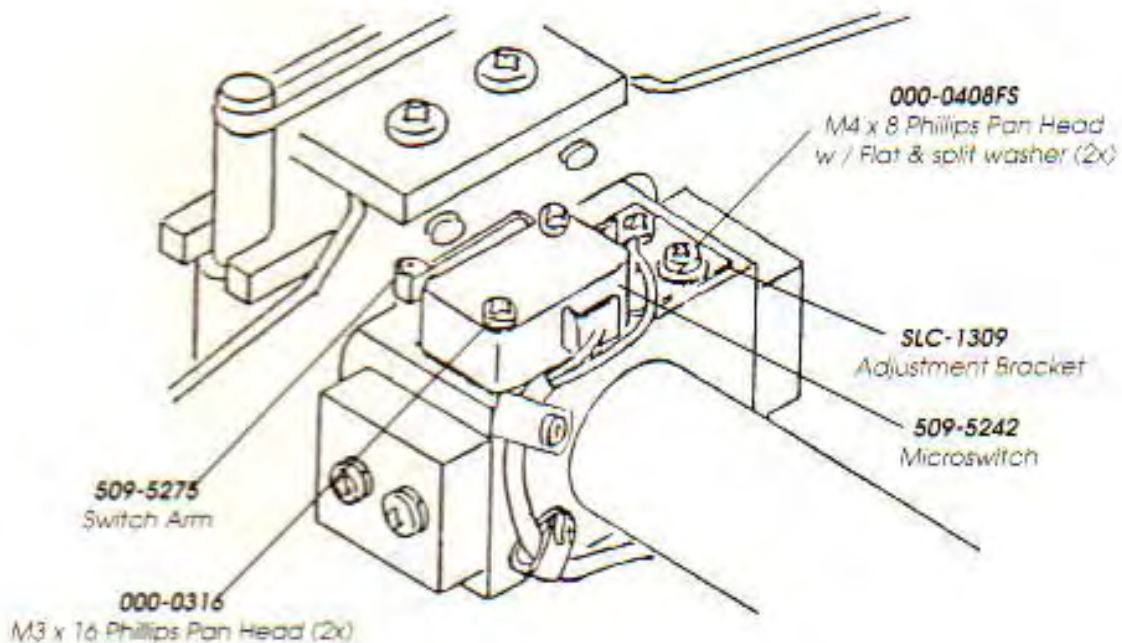
- CAUTION -

The STEERING HANDLE portion tends to be subject to great shock, causing the screws to become loose, therefore, be sure to securely tighten them.

Also, when fastening the HEX SKT H CAP SCREWS, apply a 180 kgf. cm torque.

REPLACING THE MICROSWITCH

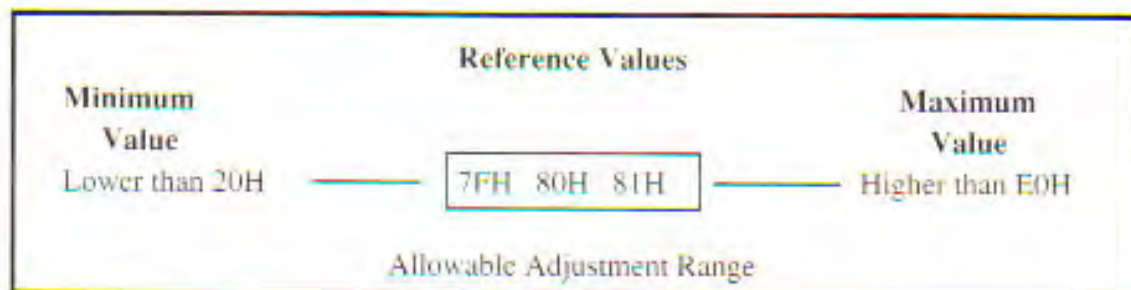
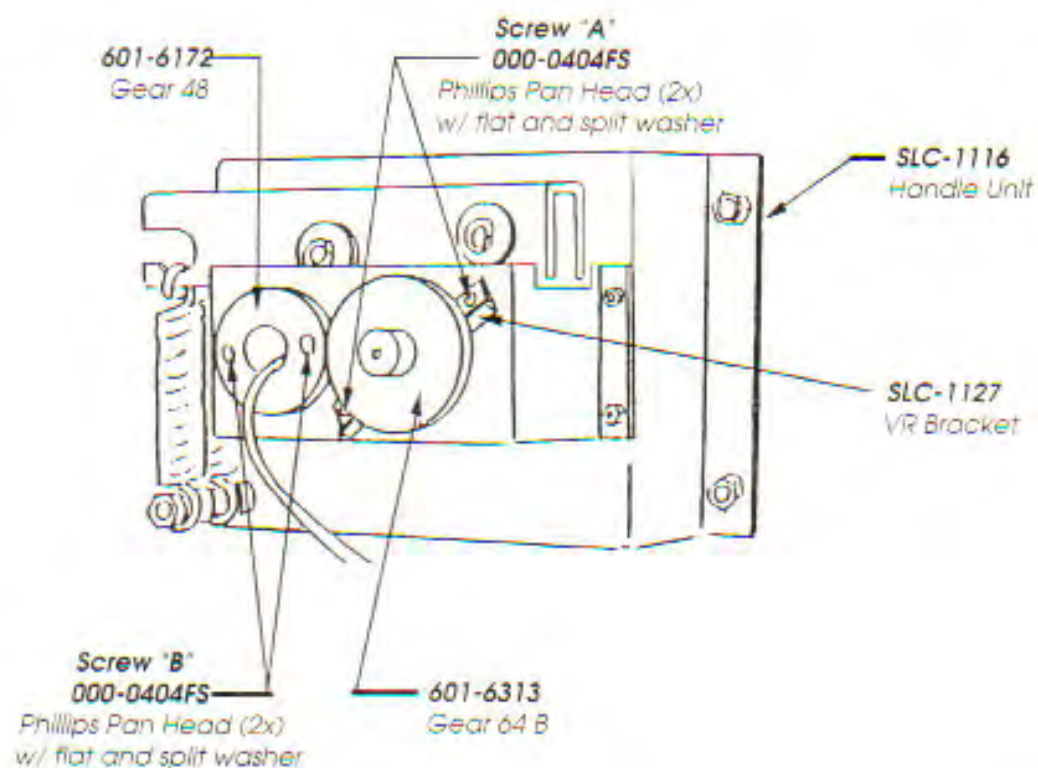
- (1) Remove the **SHIFT COVER** (SLC-1132, SLC-1133) in the same manner as when taking out the **SHIFT LEVER UNIT**.
- (2) The **MICROSWITCHES** can be taken out by removing the wire's soldering and taking off the two **M3 SCREWS** from each **MICROSWITCH**.
- (3) The **MICROSWITCHES** fine adjustments can be made by loosening the two **M4 SCREWS** and moving the **ADJUSTMENT BRACKET** (SLC-1309).



7. STEERING HANDLE VR ADJUSTMENTS

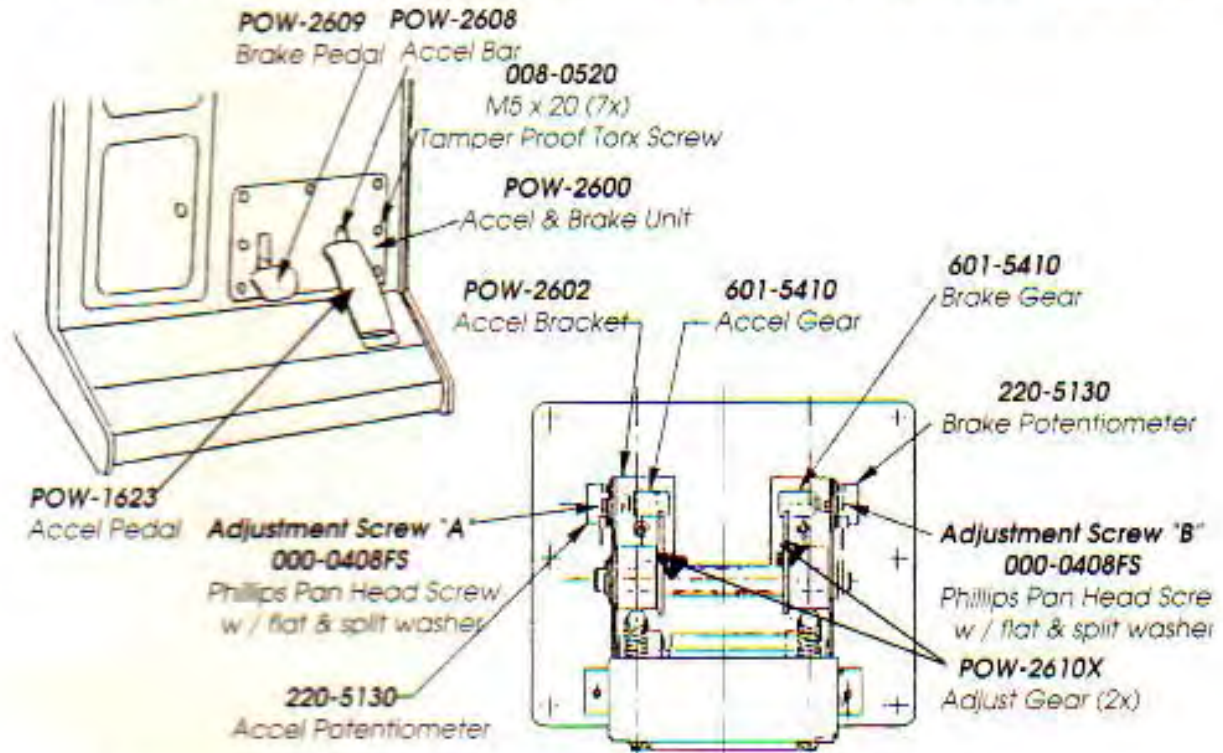
VR adjustments will be made in the **TEST MODE'S INPUT TEST** screen.

- (1) Loosen the two **SCREWS "A"** (M4 X 8) of the **VR BRACKET (SLC-1127)**, turn **GEAR "A"**, and make sure that the on-screen numerical value becomes approximately 80H. When loosening the screws, adjust the gear backlash.
- (2) Next, loosen the **NUT (M6)** and two **SCREWS "B"** (M4 X 8) which secure **GEAR "B"**, turn **GEAR "B"** and make fine adjustments to $80H \pm 1$.



8. REMOVING THE ACCELERATOR / BRAKE UNIT AND ADJUSTING THE VR

To remove the accelerator/brake unit, take off the seven M5 TAMPER PROOF SCREWS.



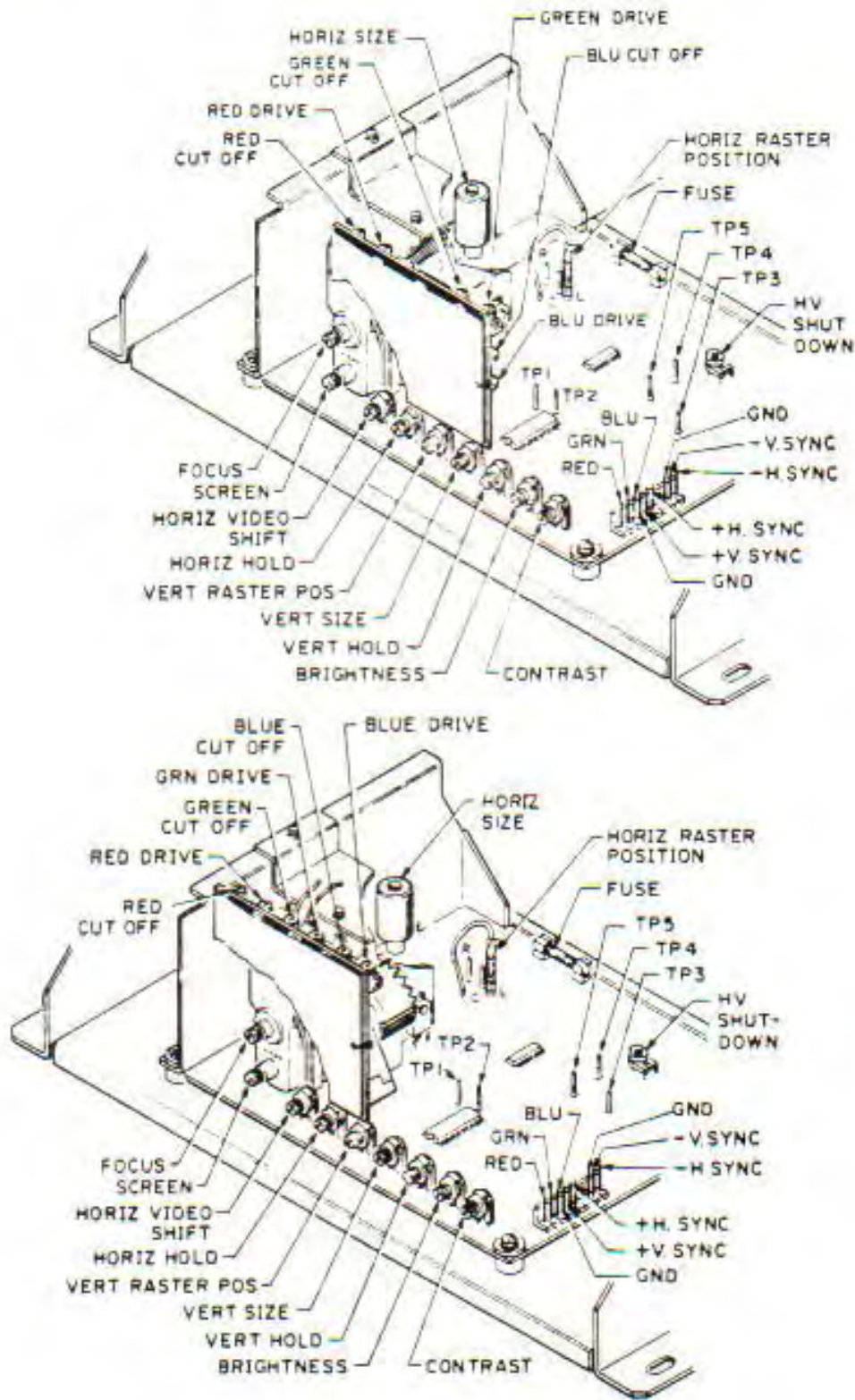
ADJUSTING THE ACCELERATOR/BRAKE

Make adjustments of the accelerator/brake by using the following procedure: Perform the V.R. numerical adjustments in the test mode's INPUT TEST screen.

- (1) Loosen SCREW "A" of the VR BRACKET, turn GEAR "A" and make sure that the on-screen numerical value becomes approximately 20H. When fastening the screw, adjust the gear backlash.
- (2) Then, loosen SCREW "B", turn GEAR "B" and make time adjustments to $20H \pm 4$.

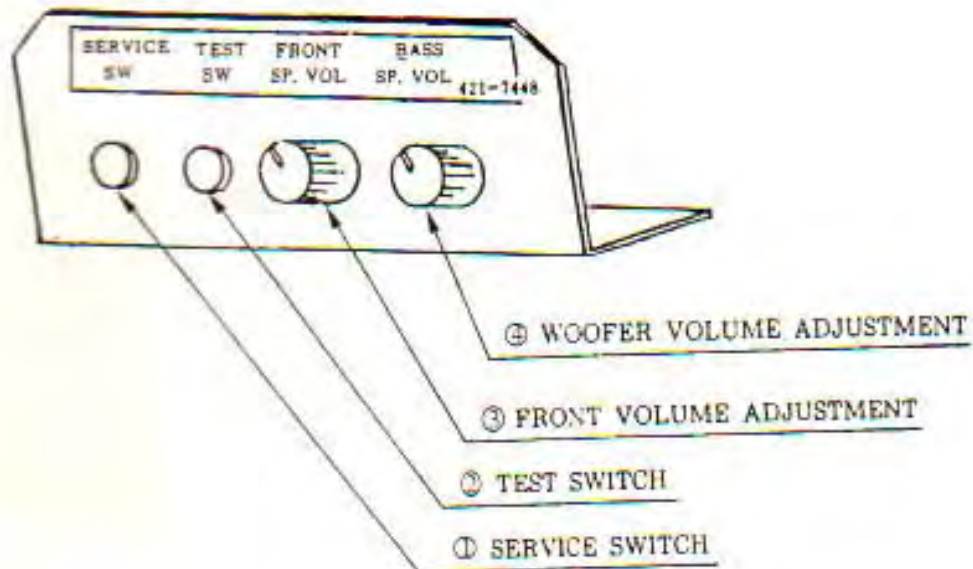
		Reference Values									
ACCELERATOR		1CH	1DH	1EH	1FH	20H	21H	22H	23H	24H	(OVERCOH)
BRAKE		1CH 1DH 1EH 1FH 20H 21H 22H 23H 24H							Maximum		
		Allowable adjustment range							(OVERCOH)		

9. DESCRIPTION OF 19 INCH MONITOR



10. SERVICE SWITCHES

Open the COIN CHUTE DOOR, and the following SERVICE SWITCHES' layout will appear:



- (1) SERVICE SWITCH..... Used for the purpose of servicing and increasing the credits without registering on the meter (this allows you to check the game).
- (2) TEST SWITCH.....For the operation of this switch, see SELF-TEST.
- (3) VOLUME ADJUSTMENT.....Used for adjusting the volume of the speaker.
- (4) WOOFER VOLUME ADJUSTMENTUsed for adjusting the volume of the WOOFER SPEAKER.

11. DIP SWITCH SETTING

COIN / CREDIT OPTION SWITCH SETTING		DIP SW A							
OPTION		1	2	3	4	5	6	7	8
1 COIN 1 CREDIT		OFF	OFF	OFF	OFF	OFF	OFF	OFF	OFF
1 COIN 2 CREDITS		ON	OFF	OFF	OFF	ON	OFF	OFF	OFF
1 COIN 3 CREDITS		OFF	ON	OFF	OFF	OFF	ON	OFF	OFF
1 COIN 4 CREDITS		ON	ON	OFF	OFF	ON	ON	OFF	OFF
1 COIN 5 CREDITS		OFF	OFF	ON	OFF	OFF	OFF	ON	OFF
1 COIN 6 CREDITS		ON	OFF	ON	OFF	ON	OFF	ON	OFF
2 COINS 1 CREDIT		OFF	ON	ON	OFF	OFF	ON	ON	OFF
3 COINS 1 CREDIT		ON	ON	ON	OFF	ON	ON	ON	OFF
4 COINS 1 CREDIT		OFF	OFF	OFF	ON	OFF	OFF	OFF	ON
2 COINS 3 CREDITS		ON	OFF	OFF	ON	ON	OFF	OFF	ON
2 COINS 1 CREDIT		OFF	ON	OFF	ON	OFF	ON	OFF	ON
4 COINS 2 CREDITS									
5 COINS 3 CREDITS									
6 COINS 4 CREDITS									
2 COINS 1 CREDIT		ON	ON	OFF	ON	ON	ON	OFF	ON
4 COINS 3 CREDITS									
1 COIN 1 CREDIT		OFF	OFF	ON	ON	OFF	OFF	ON	ON
2 COINS 2 CREDITS									
3 COINS 3 CREDITS									
4 COINS 4 CREDITS									
5 COINS 6 CREDITS									
1 COIN 1 CREDIT		ON	OFF	ON	ON	ON	OFF	ON	ON
2 COINS 2 CREDITS									
3 COINS 3 CREDITS									
4 COINS 5 CREDITS									
1 COIN 1 CREDIT		OFF	ON	ON	ON	OFF	ON	ON	ON
2 COINS 3 CREDITS									
FREE PLAY		ON	ON	ON	ON	ON	ON	ON	ON
		COIN SW #1				COIN SW #2			



GAME OPTION SWITCH SETTINGS		DIP SW B							
OPTION		1	2	3	4	5	6	7	8
ID NUMBER WHEN LINKING MACHINES	1	OFF	OFF	OFF					
	2	ON	OFF	OFF					
	3	OFF	ON	OFF					
	4	ON	ON	OFF					
	5	OFF	OFF	ON					
	6	ON	OFF	ON					
	7	OFF	ON	ON					
	8	ON	ON	ON					
THE NUMBER OF MACHINES TO BE LINKED	1				OFF	OFF	OFF		
	2				ON	OFF	OFF		
	3				OFF	ON	OFF		
	4				ON	ON	OFF		
	5				OFF	OFF	ON		
	6				ON	OFF	ON		
	7				OFF	ON	ON		
	8				ON	ON	ON		
CABINET TYPE	DLX							OFF	OFF
	COCKPIT							ON	OFF
	UPRIGHT							OFF	ON
	DLX							ON	ON

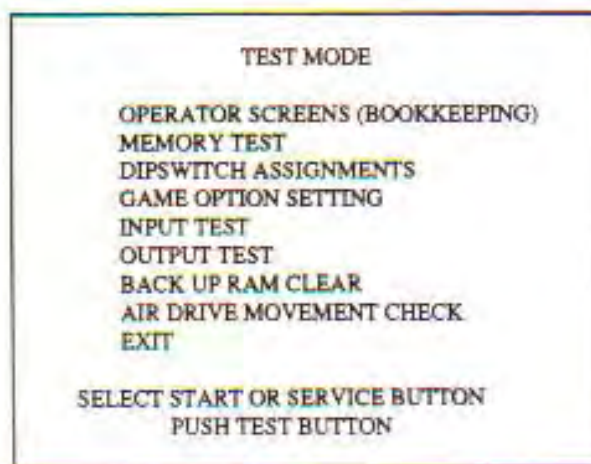
IN CASE YOU DON'T LINK THE MACHINES PLEASE ADJUST DIP SWITCH NO. 1 - 6 TO OFF

12. TEST MODE

This test mainly checks the operation of game PCB's, discovers defects if any, and also checks monitor colors and audio quality. In addition, this test mode includes the item in which game setting changes are made.

A. SELECTION OF TEST ITEM

1. Push the TEST SW button to display the test menu.



2. Press the SERVICE SW or START SW to move the ">" mark downward. Bring the arrow to the desired test item and push the TEST SW again.
3. To end the test, bring the ">" to EXIT and push the TEST SW.

B. EXPLANATION OF EACH TEST

1. OPERATOR SCREENS (BOOKKEEPING)

This allows for BOOKKEEPING of the number of game plays, game time, etc. Push the START SW to proceed to the next page. This page refers to the BOOKKEEPING of the number of coins and credits.

BOOKKEEPING		PAGE 1
COIN CHUTE 1	①	1238
COIN CHUTE 2	②	10
COIN CREDITS	③	620
SERVICE CREDITS	④	1916
TOTAL CREDITS	⑤	2536
TOTAL TIME	⑥	7D10H06M14S

- ① Number of coins put in COIN CHUTE 1.
- ② Number of coins put in COIN CHUTE 2.
- ③ Number of credits based on the number of coins put in.
- ④ Credits registered through the use of the SERVICE SW.
- ⑤ Total of ③ and ④.
- ⑥ Total time during which the machine was energized.

This page refers to BOOKKEEPING of the number of games, and scores.

BOOKKEEPING		PAGE 2
GAME REPORT		
TOTAL GAMES	①	1076
TOP SCORE	②	107295
LOWEST SCORE	③	5352
AVERAGE SCORE	④	41483
TOTAL GAME TIME	⑤	2D10H25M02S
LONGEST GAME TIME	⑥	07M24S
AVERAGE GAME TIME	⑦	03M15S

- ① Number of games
- ② High score
- ③ Lowest score
- ④ Average score
- ⑤ Total game time out of the period during which the machine was energized.
- ⑥ Longest game time
- ⑦ Average game time

This page indicates BOOKKEEPING of the game time classification/number of games.

BOOKKEEPING		PAGE 3
①	TIME REPORT	②
	+ 1.0 MINUTE	5
	1.0 - 1.5 MINUTE	28
	1.5 - 2.0 MINUTE	4
	2.0 - 2.5 MINUTE	3
	2.5 - 3.0 MINUTE	40
	3.0 - 3.5 MINUTE	31
	3.5 - 4.0 MINUTE	2
	4.0 - 4.5 MINUTE	3
	4.5 - 5.0 MINUTE	6
	OVER 5.0 MINUTE	8

① Time classification

② Number of games

This page shows BOOKKEEPING of the game contents.

BOOKKEEPING		PAGE 4
TRANSMISSION		①
AUTOMATIC SHIFT ①		851
MANUAL SHIFT ②		1181
MANUAL SHIFT ③		56
COURSE LEVEL		
LEVEL 1 ④	⑤	956
LEVEL 2 ⑥		120
FASTEST PRACTICE TIME		
AUTOMATIC SHIFT	⑦	29" 30
MANUAL SHIFT	⑧	31" 46

① Automatic Shift

② Number of games

③ 4-speed manual shift

④ 7-speed manual shift

⑤ The first race

⑥ Number of games

⑦ The second race

⑧ Preliminary race's best time by using the automatic shift

⑨ Preliminary race's best time by using the manual shift

This page refers to BOOKKEEPING of the Preliminary race's game time classification/number of games.

BOOKKEEPING		PAGE 5
① PRACTICE TIME REPORT		
- 28 SECONDS		2
28 - 29 "	②	4
29 - 30 -		33
30 - 31 "		22
31 - 32 "		40
32 - 33 "		50
33 - 34 "		6
34 - 35 "		8
35 - 36 "		9
36 - 37 "		10
37 - 38 "		13
38 - 39 "		11
39 - 40 "		22
40 - 41 "		5
41 - 42 "		7
42 - 43 "		13
43 - 44 "		13
44 - 45 "		45
OVER 45 SECONDS		45

① Time classification

② Number of games

DRIVER'S POINT RANKING

RANK	D. POINT	GRID	1ST RACE	2ND RACE	DRIVER	T.M.
1ST	2134	PP	1-3' 12" 47	5-3' 28" 00	OGU	7S
2ND	1876	2	3-3' 20" 54	-----	KOM	4S
3RD		4				AT
4TH		12				
5TH						
6TH						
7TH						
8TH						
9TH						

① ② ③ ④ ⑤ ⑥

2. MEMORY TEST

Checks the game PCB's MEMORY IC'S AND CUSTOM IC's. "GOOD" means the IC is satisfactory. If any malfunctioning of the IC's exists, "BAD" will be indicated.

MEMORY TEST					
ROMS TEST					
IC 20	BAD	IC 29	GOOD	IC 58	GOOD
IC 63	GOOD				
RAMS TEST					
IC 22	GOOD	IC 23	GOOD	IC 31	GOOD
IC 32	GOOD	IC 38	GOOD	IC 39	GOOD
IC 55	GOOD	IC 56	GOOD	IC 60	GOOD
IC 61	GOOD	IC 125	GOOD	IC 126	GOOD
IC 132	GOOD	IC 133	GOOD	IC 134	GOOD
IC 135	GOOD	IC 150	GOOD	IC 151	GOOD
CUSTOM IC TEST					
IC 30	GOOD	IC 41	GOOD	IC 107	GOOD
IC 108	GOOD				

3. DIP SWITCH ASSIGNMENTS

Indicates the status of DIP SWITCHES A and B. For details, refer to the DIP SWITCH page.

DIPSWITCH ASSIGNMENTS								
DIP SW A	8	7	6	5	4	3	2	1
	OFF	OFF	OFF	OFF	OFF	OFF	OFF	OFF
DIP SW B	8	7	6	5	4	3	2	1
	OFF	OFF	OFF	OFF	OFF	OFF	OFF	OFF
COIN MODE								
COIN CHUTE 1	2 COINS		1 CREDIT					
COIN CHUTE 2	2 COINS		1 CREDIT					
NETWORK MODE								
TOTAL MACHINES				1				
MACHINE ID NUMBER				1				
CABINET TYPE				UPRIGHT				

4. GAME OPTION SETTING

Performs the setting of the game contents.

- ① **PLAY MODE** **SINGLE PLAY**
Signifies that the machine functions independently.
- ② **GAME DIFFICULTY**
The game's overall difficulty level can be set to any one of the following:
EASY/NORMAL/HARD/VERY HARD.
- ③ **QUALIFICATION LIMIT**
The Preliminary race's qualification time can be set (the time can be set to 40 ~ 55 seconds).
- ④ **IF OVER LIMIT**
Either **GAME OVER** or **RESTART** from the 16th position can be preset in the case where the player exceeds the Preliminary Qualification time.
- ⑤ **AWARD SUPER LICENSE**
This is for the purpose of future expansion.
- ⑥ **PLAYER'S PATH CORRECTION**
The car's steering adjustment can be set to **VERY LIGHT/LIGHT/MEDIUM/STRONG.**
- ⑦ **ADVERTISE SOUND**
ON/OFF of the sound effects emitted during the time in which the game is not played, can be set. However, even if this setting is off, the title music only will continue to play.

GAME OPTION SETTING	
PLAY MODE	SINGLE PLAY
GAME DIFFICULTY	NORMAL
QUALIFICATION LIMIT	45 SECONDS
IF OVER LIMIT	16TH START
AWARD SUPER LICENSE	YES
PLAYER'S PATH CORRECTION	MEDIUM
ADVERTISE SOUND	ON

5. INPUT TEST

Indicates the status of each switch and potentiometer.

INPUT TEST

TEST ①
 SERVICE
 START
 SHIFT DOWN ON ②
 SHIFT UP
 COIN CHUTE 1
 COIN CHUTE 2

③
 HANDLE
 80 ④ FF ■ 00
 ACCELE
 20 00 ■ FF
 BRAKE
 20 00 ■ FF

- ① SW items
- ② Status (ON/OFF)
- ③ Potentiometer items
- ④ Present value (hexadecimal)

6. OUTPUT TEST

Checks the operation of the START LAMP, monitor adjustments, and audio quality. When this test item is selected, the following will first be displayed on the screen:

- ① RED Brightens starting from the left towards the right.
- ② GREEN
- ③ BLUE
- ④ WHITE

To proceed to the next page, press the START SW.

OUTPUT TEST

PAGE 1

C.R.T. CHECK

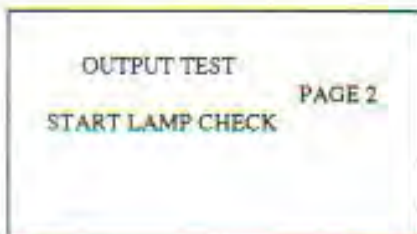
①

②

③

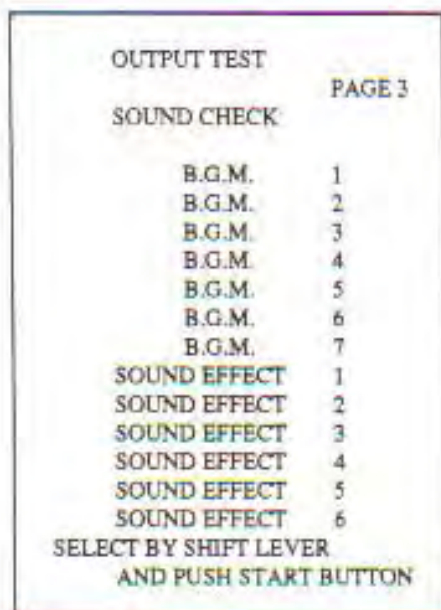
④

In this page, the START SW lamp goes ON and OFF.



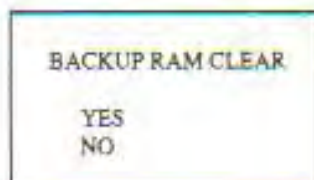
To display the next page, press the START SW.

In this page, the sound check can be performed. By using the SHIFT SW, bring the ">" mark to the desired test item and push the START SW. There are 8 items of B.G.M., 11 SOUND EFFECTS, 22 VOICES, and 6 SOUND CONTROLS.



7. BACKUP RAM CLEAR

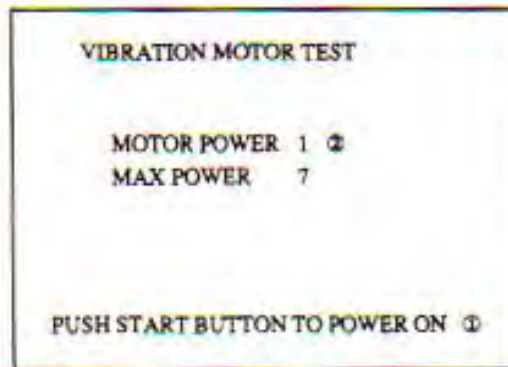
BOOKKEEPING DATA can be cleared by pushing the START SW, bringing ">" to YES (when not clearing, to "NO") and pushing the TEST SW.



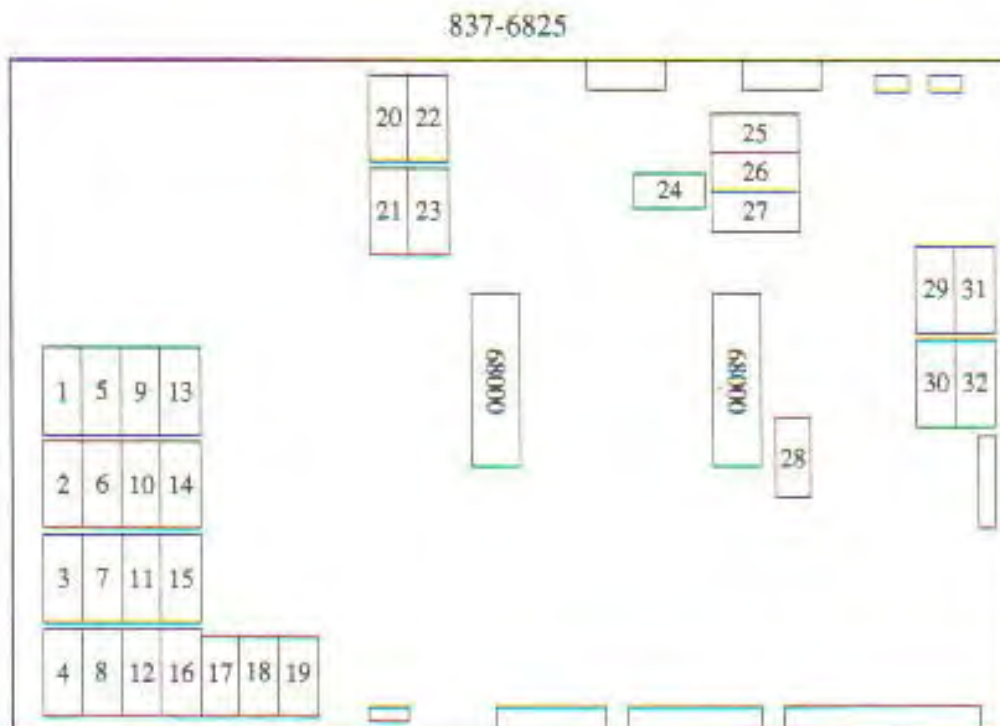
8. AIR DRIVE MOVEMENT CHECK

The VIBRATION MOTOR function can be checked.

- ① By pushing the START SW, the MOTOR power can be turned ON and OFF.
- ② By using the SHIFT LEVER, the MOTOR revolutions can be changed to 7 speeds (steps).

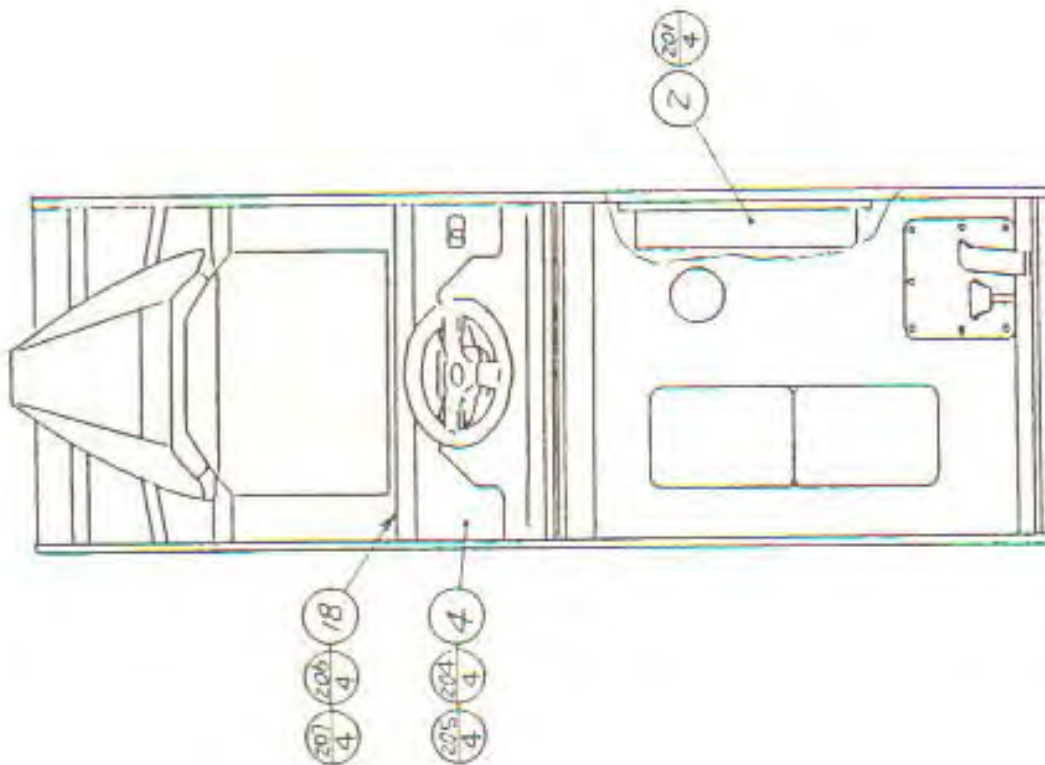
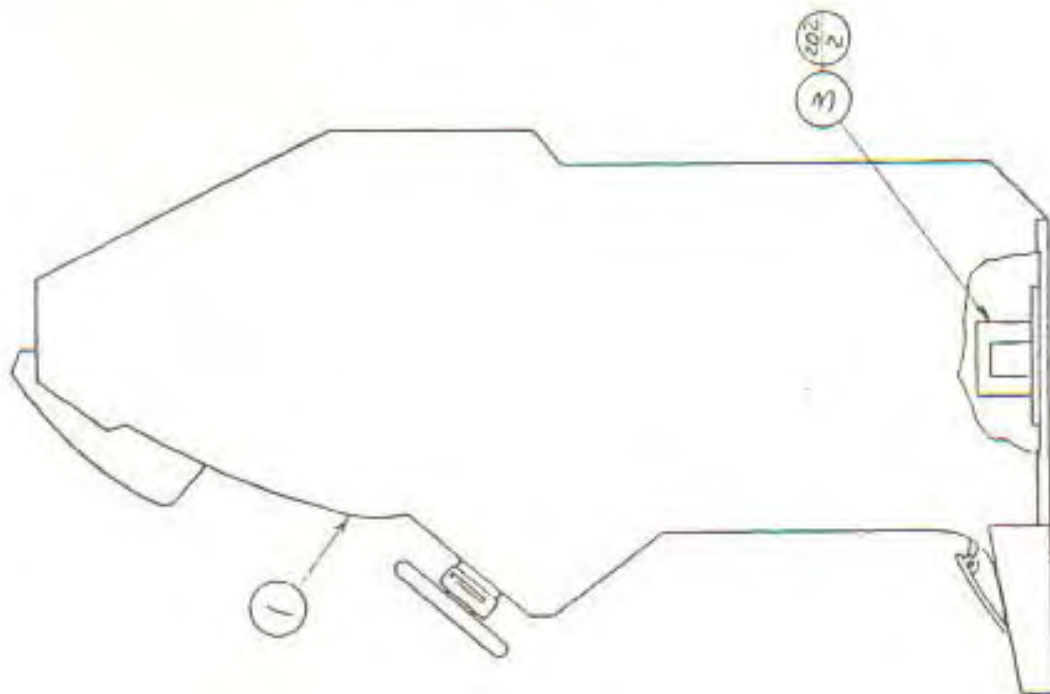


13. ROM LOCATIONS (834-7088-01 GAME BD SUPER MONACO GP U/R)



			837-7088-01	837-7088-03
	MAIN WORK	IC No.	837-6825	
1	OBJECT (1M-20)	IC 93	EPR-12413	"
2		IC 97	EPR-12414	"
3		IC 101	EPR-12415	"
4		IC 105	EPR-12416	"
5		IC 92	EPR-12417	"
6		IC 96	EPR-12418	"
7		IC 100	EPR-12419	"
8		IC 104	EPR-12420	"
9		IC 91	EPR-12421	"
10		IC 95	EPR-12422	"
11		IC 99	EPR-12423	"
12		IC 103	EPR-12424	"
13		IC 90	EPR-12425	"
14		IC 94	EPR-12426	"
15		IC 98	EPR-12427	"
16		IC 102	EPR-12428	"
17	FIX (512K-20)	IC 154	EPR-12429	"
18		IC 153	EPR-12430	"
19		IC 152	EPR-12431	"
20	MAIN PROGRAM (1M-20)	IC 58	EPR-12561A	EPR-12563
21		IC 63	EPR-12562A	EPR-12564
22		IC 57	NOT USE	"
23		IC 62	NOT USE	"
24	SOUND PROGRAM (512K)	IC 17	EPR-12436	"
25	SOUND DATA (1M-25)	IC 11	EPR-12437	"
26		IC 12	EPR-12438	"
27		IC 13	EPR-12439	"
28	ROAD	IC 40	NOT USE	"
29	SUB PROGRAM (1M-20)	IC 21	NOT USE	"
30		IC 30	NOT USE	"
31		IC 20	EPR-12574A	EPR-12576
32		IC 29	EPR-12575A	EPR-12577

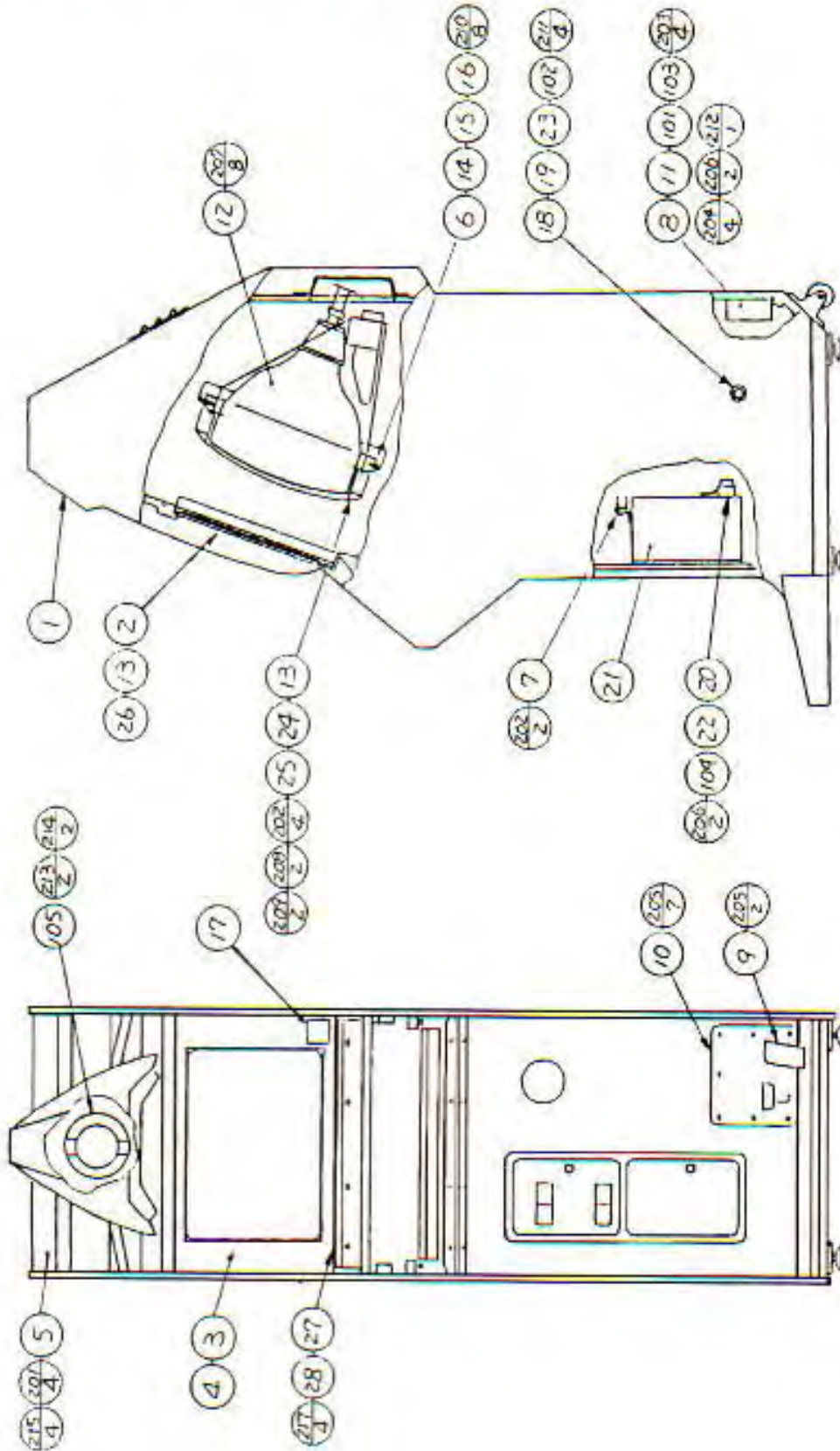
TOP ASSY MONACO GP U/R USA (SLC-00002)



TOP ASSY SUPER MONACO GP U/R USA (SLC-00002)

<u>ITEM NO.</u>	<u>PART NO.</u>	<u>DESCRIPTION</u>
1	SLC-10002	ASSY CABINET U/R USA
2	SLC-0025	GAME BD UNIT U/R
3	SLC-40002	ASSY PWR SPLY
4	SLC-11002	ASSY CONTROL PANEL
5	420-5905-03	OWNERS MANUAL SUPER MONACO GP U/R ENG
6	421-5800-102X	ORIGINAL SEAL SUPER MONACO GP
7	421-6120	STICKER SEGA USA
8	421-6709	STICKER SERVICE INSTR ENG
9	SGB-1035X	KEY BAG
10	421-6594	STICKER SERIAL NO INFO
11	421-6671	STICKER DANGER HIGH VOLTAGE
12	117-5123	NAME PLATE ELEC SPEC USA
13	421-6642-91	ADJUST INSTR SH COLOR DISPLAY
14	421-7449	ADJUST INSTR SHEET SUPER MONACO GP
15	421-6119-91	STICKER FCC
16	SGM-2675	POLYETHYLENE BAG
17	SGM-3640	POLYETHYLENE COVER
18	SLC-0023	GLASS HOLDER
19	540-0006-01	WRENCH FOR TAMP PRF SCR DUAL TYPE M4
20	540-0007-01	WRENCH FOR TAMP PRF SCR DUAL TYPE M5
21	540-0015-01	WRENCH FOR TAMP PRF SCR DUAL TYPE M6
201	000-0408-FS	M SCR PH W/FS M4X8
202	000-0430-FS	M SCR PH W/FS M4X30
203	046-0001	SCR NAIL THH STNLS 1.5X16
204	030-0625	HEX BOLT M6X25
205	060-0006	FLT WSHR M6
206	029-0084	TMP PRF SCR BH
207	069-0028	FLT WSHR BLK 6.2—15X1.2

ASSY CABINET U/R USA (SLC-10002)



ASSY CABINET U/R USA (SLC-10002)

<u>ITEM NO.</u>	<u>PART NO.</u>	<u>DESCRIPTION</u>
1	SLC-1600	ASSY SUB CABI U/R USA
2	SLC-1607	LENS BOARD
3	SLC-1608	WINDOW GLASS
4	SLC-1609	MASK
5	SLC-1610	NOSE COVER
6	POW-1619	SPACER
7	SOR-1302	SW UNIT
8	POW-1621	AC CORD STOCKER
9	POW-1623	ASSY ACCEL PEDAL
10	POW-2600	ASSY ACCEL & BRAKE
11	YZ-1040	COVER PLATE
12	200-5095	ASSY CLR DISPL 19 TYPE
13	SLC-1092	TV MASK 20
14	AB-0023	BRACKET TV
15	280-5112	BUSH FOR TV
16	280-5113	COLLAR FOR TV
17	421-7308-02	DENOMINATION SHEET 1 GAME 2x25c
18	105-0064	BRACKET MAIN SW
19	509-0049	SW STOPPER
20	RA-1016	METER BRACKET
21	KR-1607X	CASH BOX
22	421-6591-01	STICKER COIN METER
23	421-6672	STICKER MAIN SW PUSH ON PUSH OFF
24	SLC-1081	MASK HOLDER BRACKET A
25	SLC-1084	MASK HOLDER BRACKET
26	SLC-1068	FRESNEL LENS
27	SLC-1603	HOLDER BRACKET

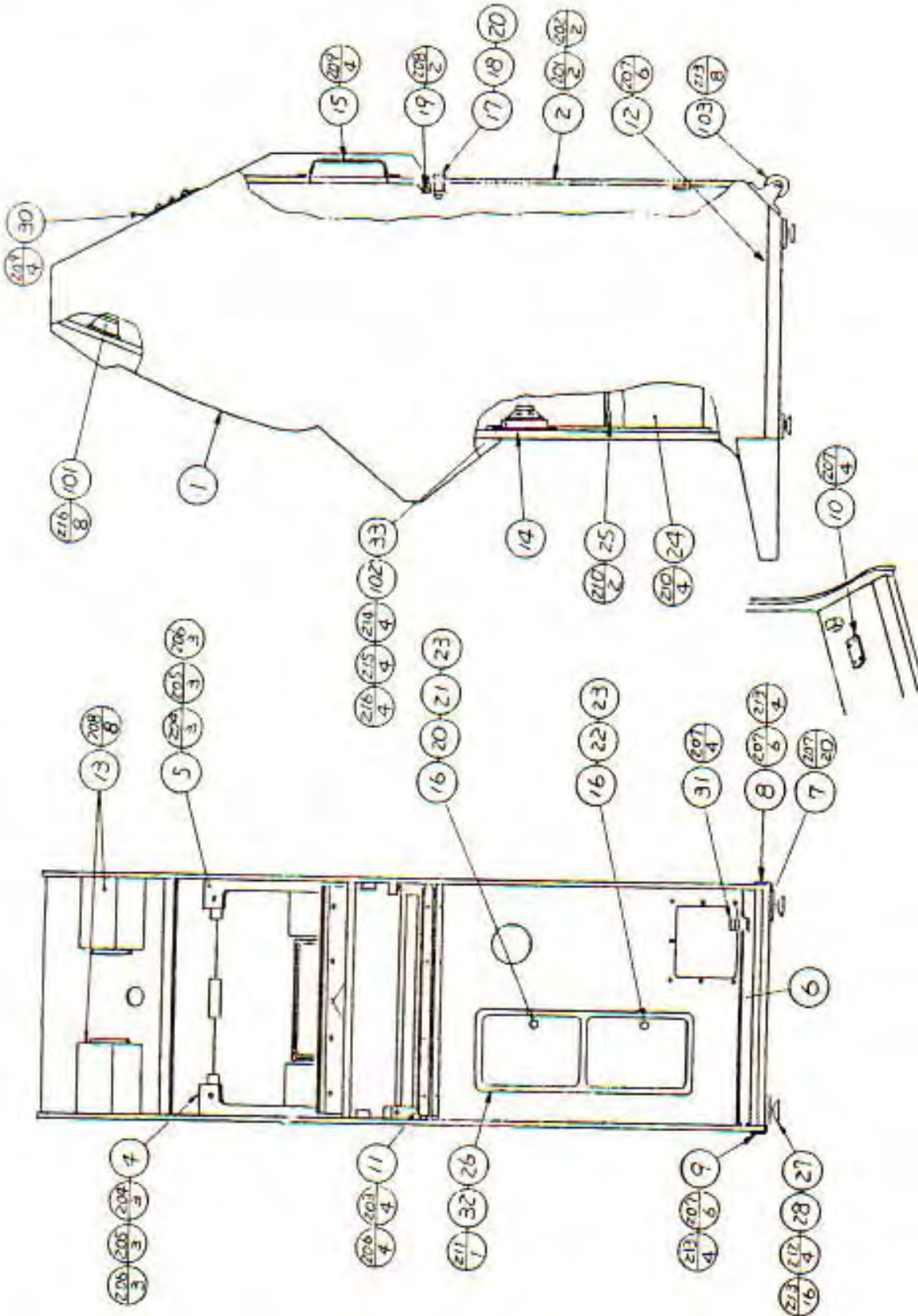
ASSY CABINET U/R USA (SLC-10002) CONTINUED ...

<u>ITEM NO.</u>	<u>PART NO.</u>	<u>DESCRIPTION</u>
28	YZ- 1042	SPACER
101	600-0110	CABLE & PLUG ASSY W/EARTH
102	509-0039	SW PB TYPE
103	280-0418	BUSHING STRAIN RELIEF 8.3
104	220-5064	MAG CNTR 6 DIG DC 5V
105	390-5273	ASSY FLUOR. LIGHT 20W
201	008-0425	TMP PRF SCR TH M4x25
202	000-0408-FS	M SCR PH W/FS M4X8
203	031-0425-B	CRG BLT BLK M4X25
204	051-0004	FLG NUT M4
205	008-0520	TMP PRF SCR TH M5x20
206	010-0408-F	S-TITE SCREW W/F M4X8
207	000-0525-S	M SCR PH W/S M5X25
208	029-0047	M SCR PH BLK M4X10
209	069-0024	FLT WSHR BLK M4
210	000-0508-S	M SCR PH W/S M5X8
211	005-3113-F	W SCR RH WF 3.1X13
212	000-0416-FS	M SCR PH W/FS M4x16
213	005-3520	W SCR RH 3.5x20
214	060-0004	FLT WSHR M4
216	008-0416	TMP PRF SCR TH M4X16
217	030-0625	HEX BLT M6X25
301	600-5832-1	CONN JST 11P
302	600-5832-2	CONN 1/0
303	600-5832-6	CONN JST 5P & AMP 2P, 3P
307	280-5126	CORD CLAMP 25
308	280-5009	CORD CLAMP 21

ASSY CABINET U/R USA (SLC-10002) CONTINUED...

<u>ITEM NO.</u>	<u>PART NO.</u>	<u>DESCRIPTION</u>
309	280-5008	CORD CLAMP 15
310	280-0425	CORD CLAMP 10
311	280-0419	HARNESS LUG
314	SGB-3957-2	WIRE HARN AC UNIT
315	SGB-3957-3	WIRE HARN VOL. EXT.
316	SGB-3957-4	WIRE HARN 12V EXT.
317	SGB-3957-5	WIRE HARN MOTOR EXT
318	SGB-3957-7	WIRE HARN BASS SP
319	SGB-3957-8	WIRE HARN FRONT SP
320	SGB-3957-9	WIRE HARN AC EXT
320	601-0460	PLASTIC TIE BELT 85MM
321	SGB-3957-11	WIRE HARN FL
322	SGB-3957-14	WIRE HARN COIN METER
323	SGB-3957-15	WIRE HARN COIN SW
324	SGB-3957-16	WIRE HARN EARTH EXT
325	SGB-3957-17	WIRE HARN EARTH

ASSY SUB CABI U/R USA (SLC-1600)



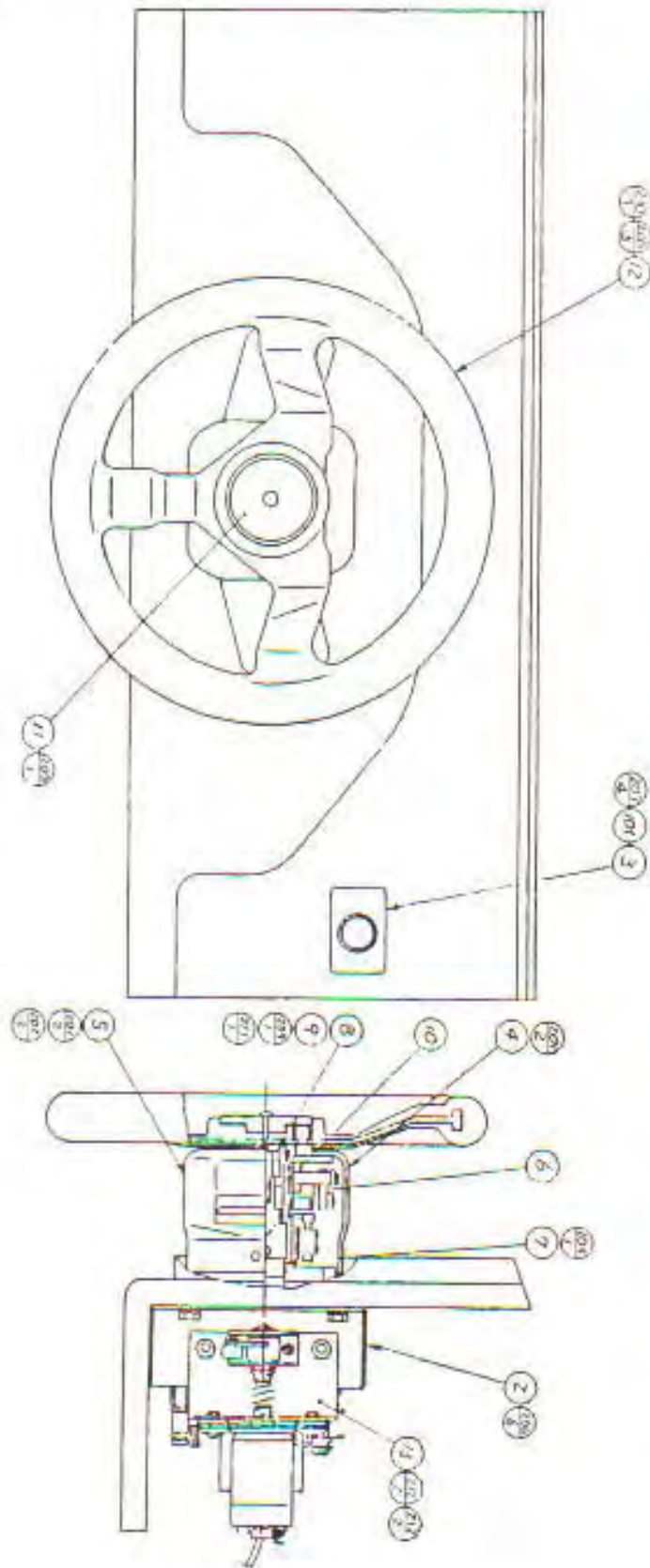
ASSY SUB CABI U/R USA (SLC-1600)

<u>ITEM NO.</u>	<u>PART NO.</u>	<u>DESCRIPTION</u>
1	SLC-1601	WOODEN CABINET
2	SLC-1602	BACK DOOR
4	POW-1604	TV MOUNTING BRACKET
5	POW-1605	TV MOUNTING BRACKET RIGHT
6	POW-1606	FLOOR MAT
7	KR-1602X	SUPPORT BRACKET
8	KR-1609	BRACKET UNDER RIGHT
9	KR-1610	BRACKET UNDER LEFT
10	KR-1611	PLATE
11	POW-1607	HINGE 596
12	SLC-1604	SUPPORT BRACKET SIDE
13	SLC-1605	SPEAKER NET
14	SLC-1606	DUCT LID
15	M0-1053	COVER
16	DP-1167	TNG LKG
17	DP-1148X	LKG TNG
18	117-0062	PLATE LOCK RETAINER
19	117-5098	TNG RETAINER PLATE
20	220-5253	MAGNETIC LOCK MASTER W/O KEY
21	220-5254	KEY MASTER FOR 20-5253
22	220-5046-91	MAGNETIC LOCK W/KEYS
23	HN-1050	SPACER RING
24	KR-1606Y	COVER CASH BOX
25	KR-1608	LOCK BRACKET
26	109-0045	KEY HOLDER
27	601-0455	LEG ADJUSTER
28	TI-1079	LEG ADJUSTER BRACKET

ASSY SUB CABI USA (SLC-1600) CONTINUED ...

<u>ITEM NO.</u>	<u>PART NO.</u>	<u>DESCRIPTION</u>
30	UP-1018	AIR VENT
31	POW-1610	RUBBER SPACER
32	220-5128-01	ASSY COIN CHUTE 2 DOOR 25¢
33	SLC-1612	SPEAKER HOLDER
101	130-5041	SPEAKER 8 OHM 15W 10cm W/C MAG
102	130-5047	WOOFER 6 OHM 15W 10CM
103	601-6151-01	CASTER
201	000-0550	M SCR PH M5x50
202	060-0005	FLT WSHR M5
203	030-0625	HEX BOLT M6x25
204	031-0630-B	CRG BLT BLK M6x30
205	050-0006	HEX NUT M6
206	060-0006	FLT WSHR M6
207	046-0001	SCR NAIL THH STNLS 1.5x16
208	005-3113-F	W SCR RH W/F 3.1x13
209	008-0416	TMP PRF SCR TH M4x16
210	000-0408-FS	M SCR PH W/FS M4x8
211	000-0306-F	M SCR PH W/F M3x6
212	059-0007	HEX NUT 3/8-16
213	030-0525-FS	HEX BOLT W/FS M5x25
214	005-3530	W SCR PH 3.5x30
215	060-0004	FLT WSHR M4
216	000-0416-FS	M SCR PH W/FS M4x16

ASSY CONTROL PANEL (SLC-1200)



ASSY CONTROL PANEL (SLC-11002)

<u>ITEM NO.</u>	<u>PART NO.</u>	<u>DESCRIPTION</u>
1	SLC-1129	CONTROL PANEL BASE
2	SLC-1116	HANDLE UNIT
3	SLC-1136	SW PLATE
4	SLC-1132	SHIFT COVER UPPER
5	SLC-1133	SHIFT COVER LOWER
6	SLC-1350	ASSY BUTTERFLY SHIFT
7	SLC-1131	COLLAR
8	SLC-1033	MOUNT SCREW
9	SLC-1034	EXTENDER 10
10	POW-2008	KEY
11	POW-2061	EMBLEM PLATE
12	KR-1121Y	STEERING HANDLE 270
13	SLC-5100	ASSY VIBRATION
101	509-5218	PUSH BTN SW IT YELLOW W/LAMP
201	029-0226	M SCR FH BLK M4X8
202	008-0408	TMP PRF SCR TH M4X8
203	008-0425	TMP PRF SCR TH M4x25
204	028-0014	SET SCR HEX SKT CP UNBR M4X4
205	029-0259	HEX SKT H CAP SCR M6X14
206	030-0620	HEX BLT M6X20
207	051-0004	FLG NUT M4
209	060-0008	FLT WSHR M8
210	061-0006	SPR WSHR M6
211	061-0008	SPR WSHR M8
212	050-0004	HEX NUT M4
213	054-0004	U NUT M4
301	SGB-3957-13	WIRE HARN START SW

ASSY CONTROL PANEL (SLC-11002) CONTINUED ...

<u>ITEM NO.</u>	<u>PART NO.</u>	<u>DESCRIPTION</u>
302	280-5009	CORD CLAMP 21
303	280-0419	HARNESS LUG

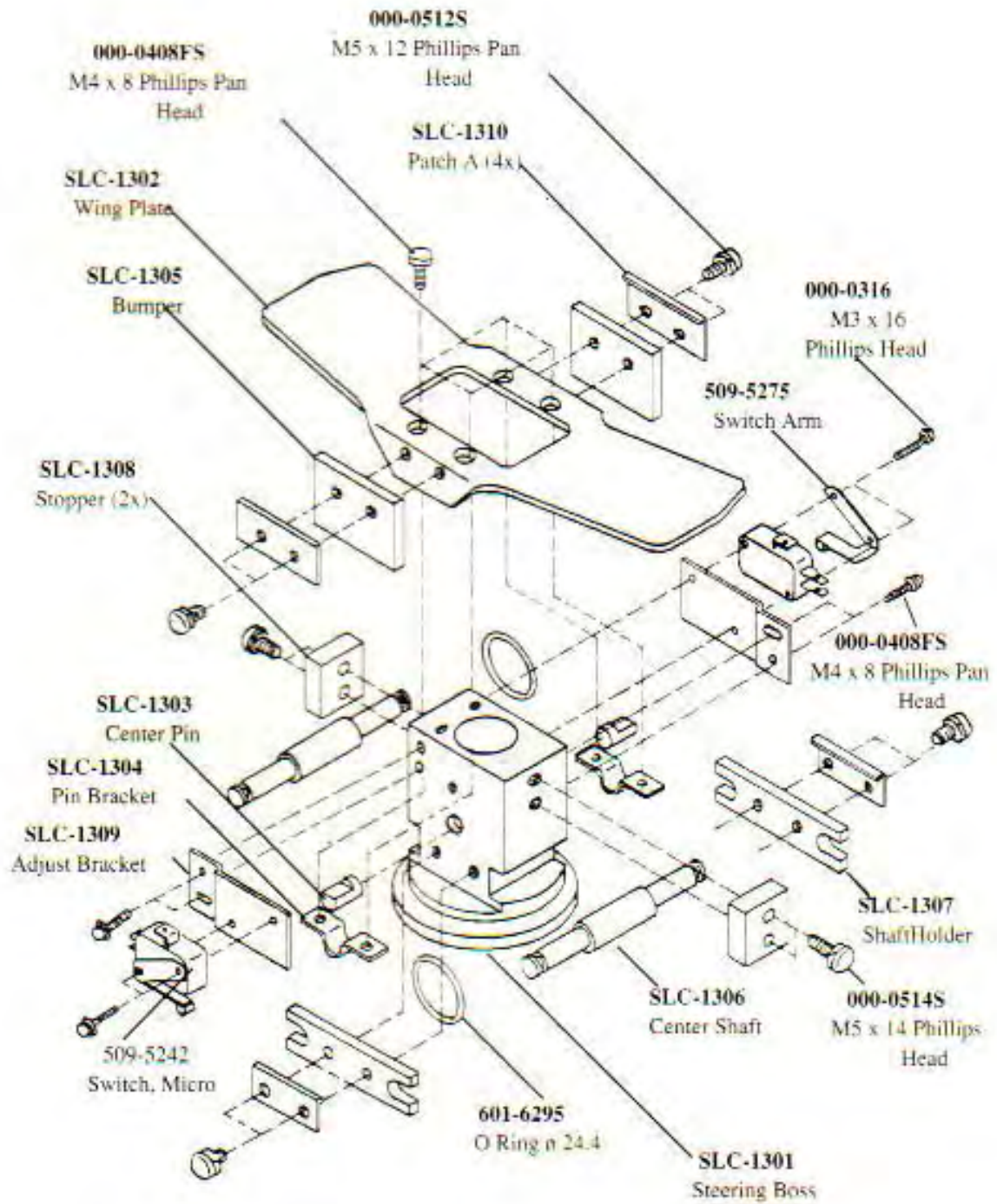
HANDLE UNIT (SLC-1116)

<u>ITEM NO.</u>	<u>PART NO.</u>	<u>DESCRIPTION</u>
1	SLC-1117	HANDLE BASE
2	SLC-1118	LID HANDLE BASE
3	SLC-1135	STEERING SHAFT
4	SLC-1120	STOPPER RUBBER
5	SLC-1121	STOPPER SHAFT
6	SLC-1122	HOOK SPRING
7	SLC-1123	SWING ARM SHAFT
8	SLC-1124	SWING ARM
9	SLC-1125	EXT SPRING
10	SOR-2112	BEARING SHAFT
11	SOR-2114	CAM
12	SOR-2115	KEY 5x10
13	SLC-1126	VR BASE
14	SLC-1127	VR BRACKET
15	SLC-1128	GUIDE RING
16	SLC-1130	ADJUST RING
17	SLC-1108	WIRE HOLDER
18	SOR-2113	SPACER
101	601-6172	GEAR 48
102	100-5018	BALL BEARING 8
103	100-5096	BEARING 17
104	220-5130	VOL CONT B-5 K OHM
105	601-6313	GEAR 64 B
106	280-5123-1S	LOCKING ADJUST CLAMP 1S
107	601-6329	RUBBER GROMMET
201	000-0406-S	M SCR PH W/S M4X6
202	000-0406-FS	M SCR PH W/FS M4X6

ASSY HANDLE UNIT (SLC-1116) CONTINUED ...

<u>ITEM NO.</u>	<u>PART NO.</u>	<u>DESCRIPTION</u>
203	030-0612	HEX BLT M6X12
204	039-0005	HEX BLT M6X16
205	028-0019	SET SCR HEX SKT CP UNBR M4X8
206	050-0006	HEX NUT M6
207	050-0008	HEX NUT M8
208	054-0004	U NUT M4
209	059-0022	HEX NUT M16
210	060-0008	FLT WSHR M8
211	061-0006	SPR WSHR M6
212	061-0008	SPR WSHR M8
213	065-0007	E RING 7mm
214	069-0060	SPR WSHR M16
215	060-0006	FLT WSHR M6

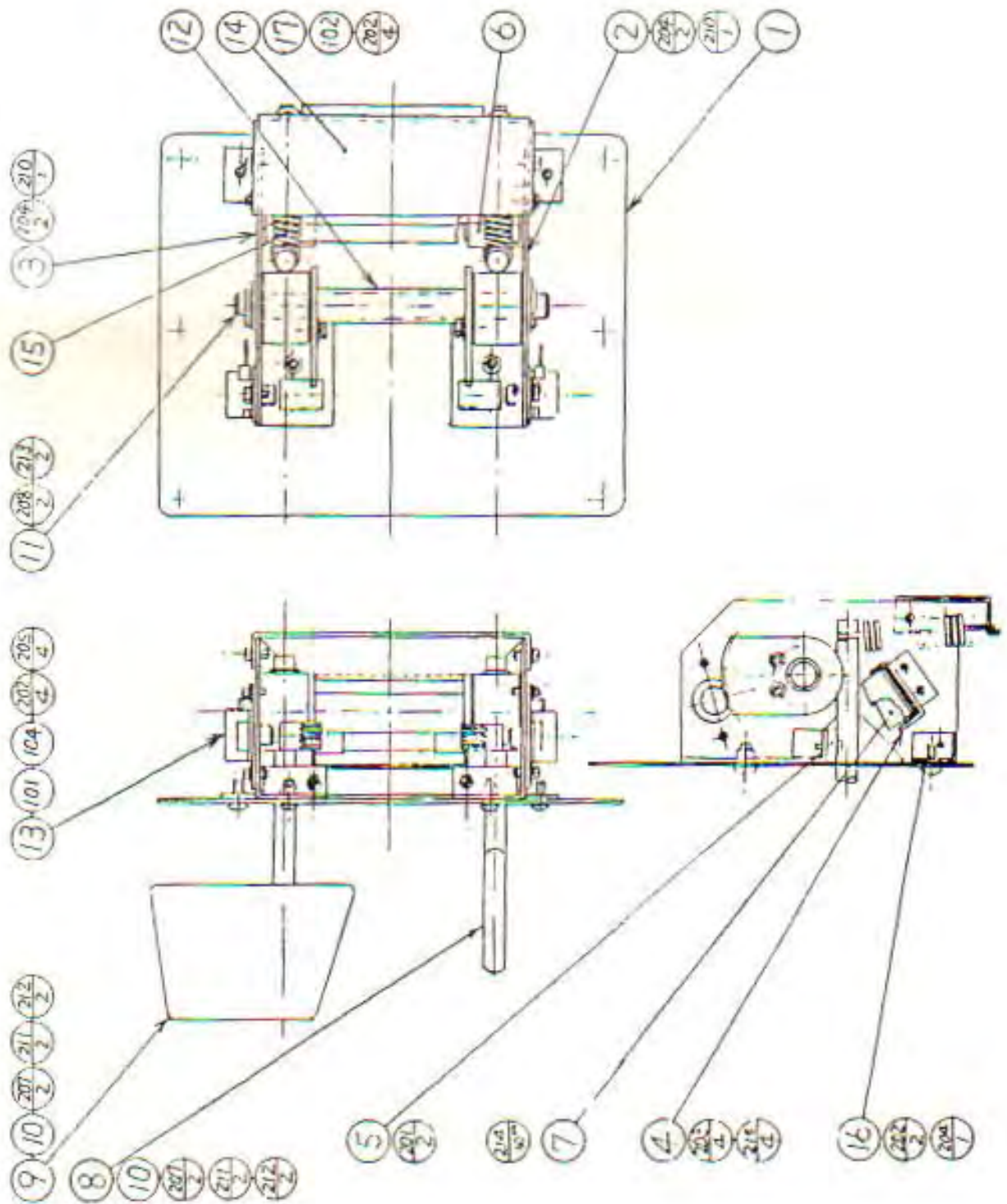
ASSY BUTTERFLY SHIFT (SLC-1350)



ASSY BUTTERFLY SHIFT (SLC-1350)

<u>ITEM NO.</u>	<u>PART NO.</u>	<u>DESCRIPTION</u>
1	SLC-1301	STEERING BOSS
2	SLC-1302	WING PLATE
3	SLC-1303	CENTER PIN
4	SLC-1304	PIN BRACKET
5	SLC-1305	BUMPER
6	SLC-1306	CENTER SHAFT
7	SLC-1307	SHAFT HOLDER
8	SLC-1308	STOPPER
9	SLC-1309	ADJUST BRACKET
10	SLC-1310	PATCH A
101	509-5242	SW MICRO TYPE
102	509-5275	SW ACTUATOR
103	601-6295	O RING 24.4
104	280-5124-03	NYLON CLAMP NK03
201	000-0316	M SCR PH W/S M3x16
202	000-0408-FS	M SCR PH W/FS M4X8
203	000-0512-S	M SCR PH W/S M5x12
204	000-0514-S	M SCR PH W/S M5X14
205	000-0312-FS	M SCR PH W/FS M3X12
301	600-5819-25	WIRE HARN SHIFT SW B

ASSY ACCEL & BRAKE (POW-2600)



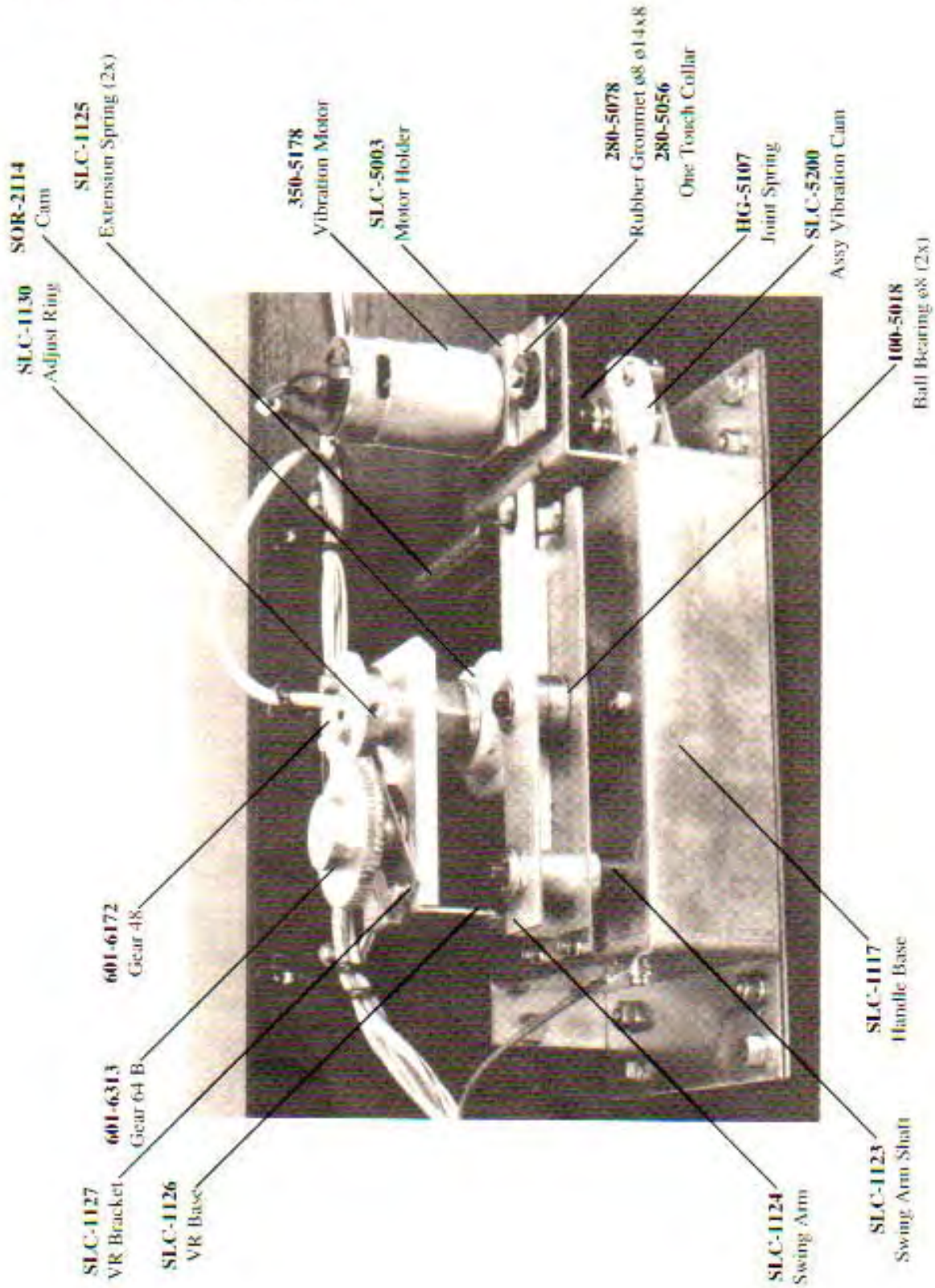
ASSY ACCEL & BRAKE (POW-2600)

<u>ITEM NO.</u>	<u>PART NO.</u>	<u>DESCRIPTION</u>
1	POW-2601	LID, FRONT PLATE
2	POW-2602	ACCEL BRACKET
3	POW-2603	BRAKE BRACKET
4	POW-2604	STOPPER BRACKET
5	POW-2605	STOPPER A
6	POW-2606	STOPPER B
7	POW-2607	STOPPER C
8	POW-2608	ACCEL BAR
9	POW-2609	BRAKE PEDAL
10	POW-2610X	ADJUST GEAR
11	POW-2611	CENTER SHAFT
12	POW- 2612	COLLAR
13	POW-2613	VR PLATE
14	POW-2614	SPRING BRACKET
15	POW-2615	EXTENSION SPRING
16	POW-2616	COVER BRACKET
17	600-5741-08	WIRE HARN ACCEL EARTH
101	220-5130	VOL CONT B-5 K OHM
102	280-0419	HARNESS LUG
103	601-0460	TIE BELT
104	601-5410	GEAR 15, 6
201	000-0314-F	M SCR PH W/F M3X14
202	000-0408-FS	M SCR PH W/FS M4X8
203	000-0510	M SCR PH M5X10
204	029-0152	TMP PRF SCR TH CHROME M5x12
205	028-0002	SET SCR PH SPCL M3x6
207	030-0410	HEX BLT M4x10

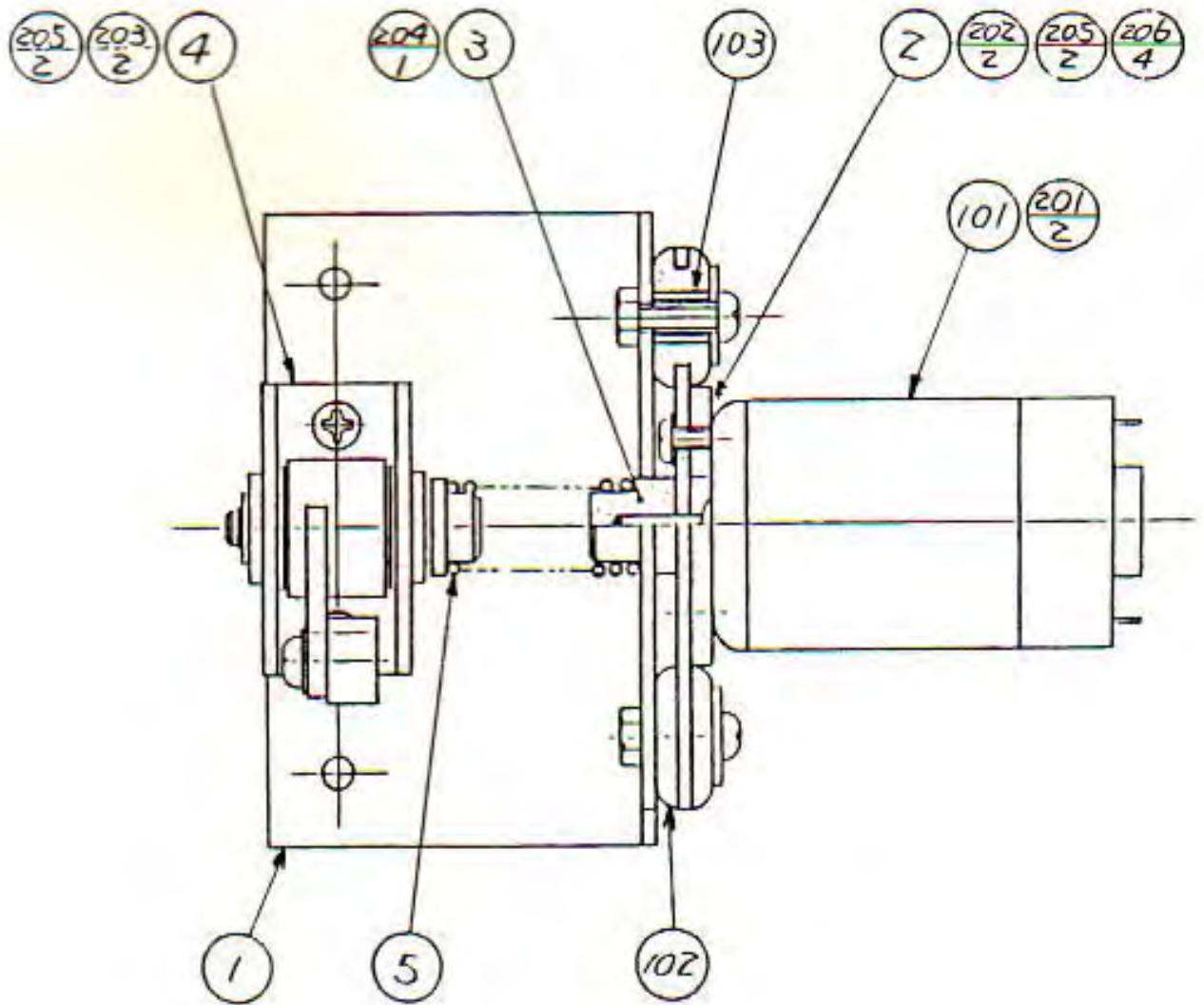
ASSY ACEL & BRAKE (POW-2600) CONTINUED ...

<u>ITEM NO.</u>	<u>PART NO.</u>	<u>DESCRIPTION</u>
208	045-0007	COT PIN 3x30
210	054-0005	COT PIN M5
211	060-0004	FLT WSHR M4
212	061-0004	SPR WSHR M4
213	069-0020	FLT WSHR M12
216	061-0005	SPR WSHR M5
301	SGB-3909-05	WIRE HARN ACCEL UNIT

STEERING ASSY CONTROL



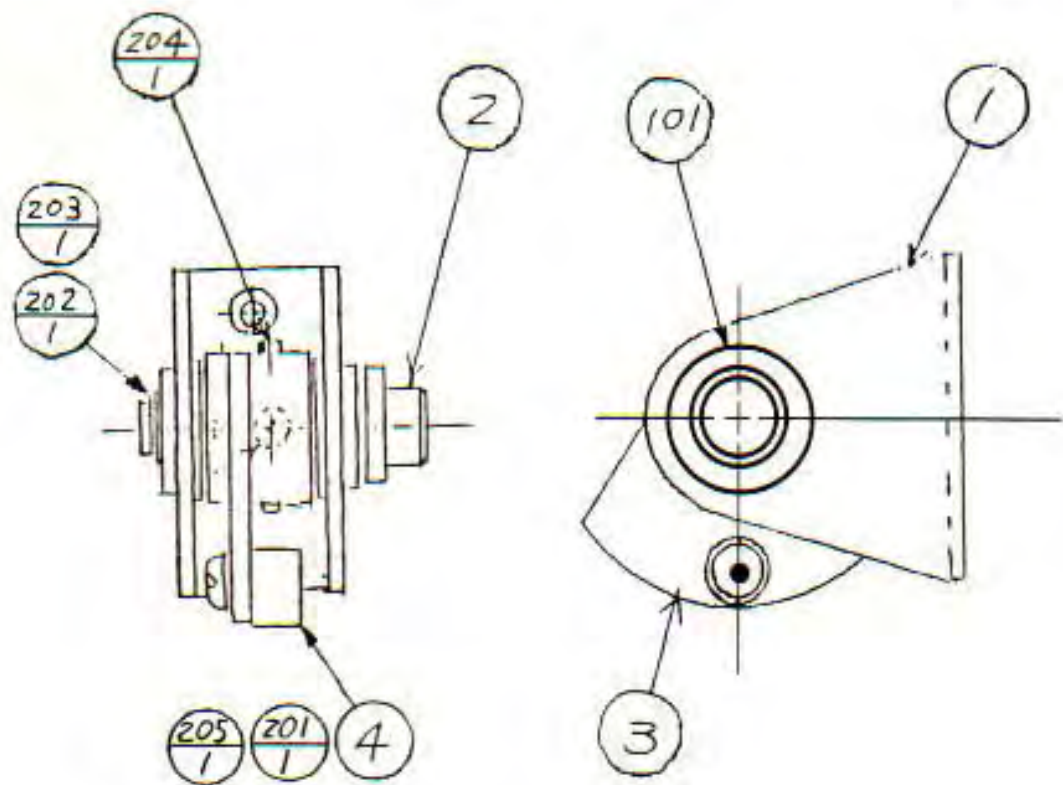
ASSY VIBRATION (SLC-5100)



ASSY VIBRATION (SLC-5100)

<u>ITEM NO.</u>	<u>PART NO.</u>	<u>DESCRIPTION</u>
1	SLC-5001	MOUNT BRACKET
2	SLC-5003	MOTOR HOLDER U/R
3	SLC-5004	BOSS
4	SLC-5200	ASSY VIBRATION CAM
5	HG-5107	JOINT SPRING
101	350-5187	MOTOR DC24V
102	280-5078	RUBBER GROMMET 8x14x8
103	280-5056	ONE TOUCH COLLAR L=7.5
201	000-0308-S	M SCR PH W/S M3x8
202	000-0420-S	M SCR PH W/S M4x20
203	000-0410	M SCR FH M4x10
204	028-0001	SET SCR HEX SKT CP UNBR M3x4
205	054-0004	U-NUT M4
206	069-0007	FLT WSHR 4.4-16x1.6
301	SGB-3957-6	WIRE HARN MOTOR

ASSY VIBRATION CAM (SLC-5200)



ASSY VIBRATION CAM (SLC-5200)

<u>ITEM NO.</u>	<u>PART NO.</u>	<u>DESCRIPTION</u>
1	HG-5103	BEARING FRAME
2	HG-5104	SHAFT
3	HG-5105	CAM
4	SLC-5005	WEIGHT
101	100-5041	BEARING NSK F688 ZZ
201	010-0410-F	S-TITE SCR PH W/F M4x10
202	069-0053	FLT WSHR SPECIAL 6.8-9.5x0.6
203	065-0005	E RING 5mm
204	045-0017	SPRING PIN UNBR 4x24
205	028-0001	SET SCR HEX SKT CP UNBR M3x4

ASSY PWR SPLY U/R (SLC-40002)

<u>ITEM NO.</u>	<u>PART NO.</u>	<u>DESCRIPTION</u>
1	SLC-4003	WOODEN BASE
2	421-7496	STICKER FUSE INSTR
101	560-5151	PWR XFMR 120V 18.5V 5V, 30V 1.6A, 120V 1.5A
102	400-5089	SW REGU 90-240V +5V 12A
103	601-6227	PWR AMP W/SW REGU 12V, 5A
104	601-6228	PWR AMP FOR SUPER WOOFER
106	270-5020	NOISE FILTER AC 250V 6A
107	117-5167	TERMINAL 5P-2PX2 SHORT
108	514-0064	FU HLDR 2P W/COVER
109	514-0040	FU 4A 6.4x30MM
110	514-0034	FU 5A 6.4X30MM
111	400-5103	VARIABLE REGU DC 0-24V
113	280-0419	HARNESS LUG
114	280-5126	CORD CLAMP 25
201	000-0516-F5	M SCR PH W/FS M5X16
202	005-3113-F	W SCR RH W/F 3.1X13
203	029-0173	W SCR RH 2.7X25
204	010-0320-F	S-TITE SCR PH W/F M3X20
205	005-3116	W SCR RH 3.1x16
206	005-3520	W SCR RH 3.5x20
301	600-5832-3	CONN JST 21P & F187x10
302	600-5832-4	CONN JST 4P & MOLEX 7P
302	600-5832-5	CONN AUDIO
305	SGB-3957-1	WIRE HARN PWR SPLY
306	280-0419	HARNESS LUG
307	601-0460	PLASTIC TIE BELT 85MM

COIN/CREDIT OPTION SWITCH SETTING

DIP SW A

OPTION	1	2	3	4	5	6	7	8
1 COIN 1 CREDIT	OFF	OFF	OFF	OFF	OFF	OFF	OFF	OFF
1 COIN 2 CREDITS	ON	OFF	OFF	OFF	ON	OFF	OFF	OFF
1 COIN 3 CREDITS	OFF	ON	OFF	OFF	OFF	ON	OFF	OFF
1 COINS 4 CREDIT	ON	ON	OFF	OFF	ON	ON	OFF	OFF
1 COINS 5 CREDIT	OFF	OFF	ON	OFF	OFF	OFF	ON	OFF
1 COINS 6 CREDIT	ON	OFF	ON	OFF	ON	OFF	ON	OFF
2 COINS 1 CREDIT	OFF	ON	ON	OFF	OFF	ON	ON	OFF
3 COINS 1 CREDIT	ON	ON	ON	OFF	ON	ON	ON	OFF
4 COINS 1 CREDIT	OFF	OFF	OFF	ON	OFF	OFF	OFF	ON
2 COINS 3 CREDITS	ON	OFF	OFF	ON	ON	OFF	OFF	ON
2 COINS 1 CREDIT	OFF	ON	OFF	ON	OFF	ON	OFF	ON
4 COINS 2 CREDITS	OFF	ON	OFF	ON	OFF	ON	OFF	ON
5 COINS 3 CREDITS								
6 COINS 4 CREDITS								
2 COINS 1 CREDIT	ON	ON	OFF	ON	ON	ON	OFF	ON
4 COINS 3 CREDITS								
1 COIN 1 CREDIT	OFF	OFF	ON	ON	OFF	OFF	ON	ON
2 COINS 2 CREDITS								
3 COINS 3 CREDITS								
4 COINS 4 CREDITS								
5 COINS 6 CREDITS								
1 COIN 1 CREDIT	ON	OFF	ON	ON	ON	OFF	ON	ON
2 COINS 2 CREDITS								
3 COINS 3 CREDITS								
4 COINS 5 CREDITS								
1 COIN 1 CREDIT	OFF	ON	ON	ON	OFF	ON	ON	ON
2 COINS 3 CREDITS								
FREE PLAY	ON	ON	ON	ON	ON	ON	ON	ON
	COIN SW #1				COIN SW #2			

GAME OPTION SWITCH SETTING

DIP SW B

OPTION	1	2	3	4	5	6	7	8
通信時の ID NUMBER YOUR ID NUMBER WHEN LINKING	1	OFF	OFF	OFF				
	2	ON	OFF	OFF				
	3	OFF	ON	OFF				
	4	ON	ON	OFF				
	5	OFF	OFF	ON				
	6	ON	OFF	ON				
	7	OFF	ON	ON				
	8	ON	ON	ON				
通信時の 接続台数 THE NUMBER OF THE MACHINES TO BE LINKED	1			OFF	OFF	OFF		
	2			ON	OFF	OFF		
	3			OFF	ON	OFF		
	4			ON	ON	OFF		
	5			OFF	OFF	ON		
	6			ON	OFF	ON		
	7			OFF	ON	ON		
	8			ON	ON	ON		
CABINET TYPE	DX						OFF	OFF
	COCKPIT						ON	OFF
	UP_RIGHT						OFF	ON
	DX						ON	ON

通信時以外は、1から6までは、全てOFFとする。

IN CASE OF YOU DON'T LINK THE MACHINES
PLEASE ADJUST DIPSW No.#1 TO No.#6 ALL OFF

SEGA ENTERPRISES, INC. (USA)

2149 Paragon Drive

San Jose, CA 95131

Tel. (408) 435-0201

©SEGA 1989