

INSTRUCTION MANUAL



DATA EAST USA, INC.

470 GIANNI ST., SANTA CLARA, CALIFORNIA 95054  
Telephone: (408) 727-4490 Telex: 172163 DATA EAST SNTA

780-0019-00

# **WARNING**

**This equipment generates and uses radio frequency energy and if not installed and used properly, i.e., in strict accordance with the instructions manual, may cause harmful interference to radio communications. It has been tested and found to comply with the limits for a Class A computing device pursuant to Subpart J of Part 15 of FCC Rules, which are designed to provide reasonable protection against such interference when operated in a commercial environment.**

**Operation of this equipment in a residential area is likely to cause interference in which case the user at his own expense will be required to take whatever measures may be required to correct the interference.**

## TABLE OF CONTENTS

<u>PAGE</u>	
1	Game Play
2	Option Switch Settings
3	PCB Identification and Component Locations
4	COMMANDO Grounding Scheme
5	Main Harness Connections
6	56 Pin PCB Edge Connector Signals
7	Filter/Adapter 44 Pin Edge Connector Signals
8	56 to 44 Pin Adapter & RFI Filter PCB
9	COMMANDO Inter Board Connector
10	Power Supply Circuit
11	KAGA Power Supply
14	Wells Gardner Monitor Schematic
15	NANA0 Monitor Schematic
16	Sanwa Monitor Schematic
18	PCB Schematic Set, 85605-C (3 sheets)
21	PCB Schematic Set, 85605-A (8 sheets)
29	Custom Chip Pinouts
30	PCB Schematic Set, 85605-B (6 sheets)
36	Limited Warranty Statement



# COMMANDO<sup>©</sup>

## GAME PLAY

YOU ARE ABOUT TO BEGIN A HIGHLY SECRET MISSION

You are a crack soldier with special training. You have been given a highly secret mission, and are about to enter into fierce guerrilla warfare! The mission is to annihilate the enemy and to rescue important captives. To do this you must destroy the enemy base, which is said to be impregnable.

The battles you will fight take place in several areas requiring various attack techniques. Your weapons consist of a machine gun with unlimited shots, and a limited supply of hand grenades, which you may replenish by taking from the enemy.

GOOD LUCK!

- \* Use JOYSTICK to maneuver the soldier.
- \* Use RIGHT BUTTON to fire Machine gun.
- \* Use LEFT BUTTON to hurl hand grenades.
- \* Dodge all bullets and grenades. Do not collide with enemy soldiers!
- \* Destroy as many of the enemy as possible.
- \* Pick up enemy grenades (one grenade per box) and use them against the enemy.
- \* Extra 'lives' are awarded for exceeding certain scores.
- \* Score higher points by destroying enemy leaders and enemy headquarters.
- \* Score bonus points by rescuing captives.
- \* The arch bridge is a dangerous spot! Watch for attacks from above!
- \* Be careful of trucks and jeeps that may try to ram you!
- \* Do not fall into rivers or ponds.
- \* Trees, walls and other obstacles can be used for cover.

© 1985 DATA EAST USA, INC.  
Developed by CAPCOM Co., Ltd.

C O M M A N D O  
OPTION SWITCH SETTINGS

SWITCH A

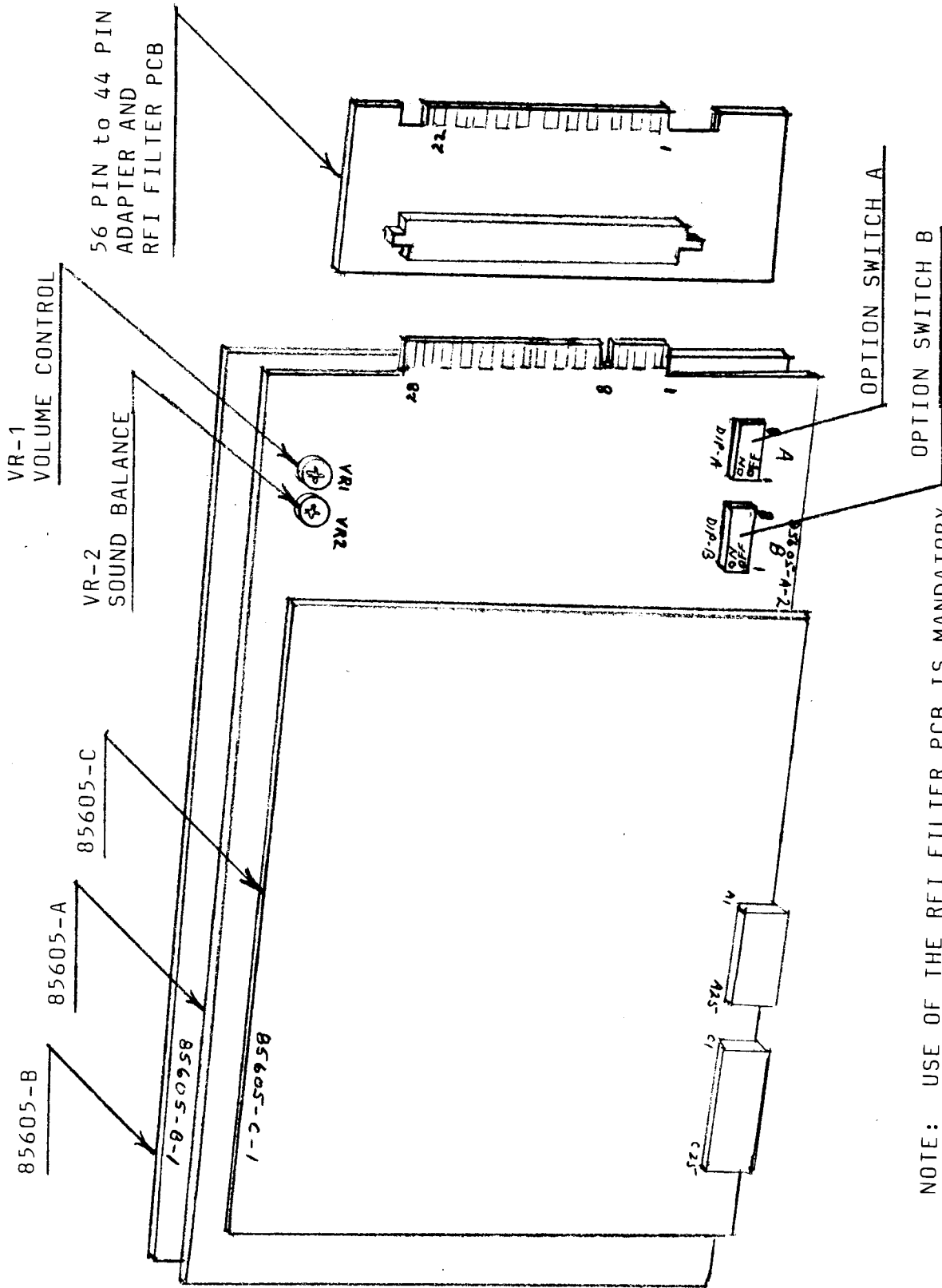
OPTION		1	2	3	4	5	6	7	8
COIN 1 1 WAY	1 Coin - 1 Credit	OFF	OFF						
	1 Coin - 2 Credit	ON	OFF						
	1 Coin - 3 Credit	OFF	ON						
	2 Coin - 1 Credit	ON	ON						
COIN 2 2 WAY	1 Coin - 1 Credit			OFF	OFF				
	2 Coin - 1 Credit			ON	OFF				
	3 Coin - 1 Credit			OFF	ON				
	4 Coin - 1 Credit			ON	ON				
NUMBER OF LIVES (FIGHTERS)	3					OFF	OFF		
	2					ON	OFF		
	4					OFF	ON		
	5					ON	ON		
STARTING AREA	0 (Forest 1)							OFF	OFF
	2 (Desert 1)							ON	OFF
	4 (Forest 2)							OFF	ON
	6 (Desert 2)							ON	ON

SWITCH B

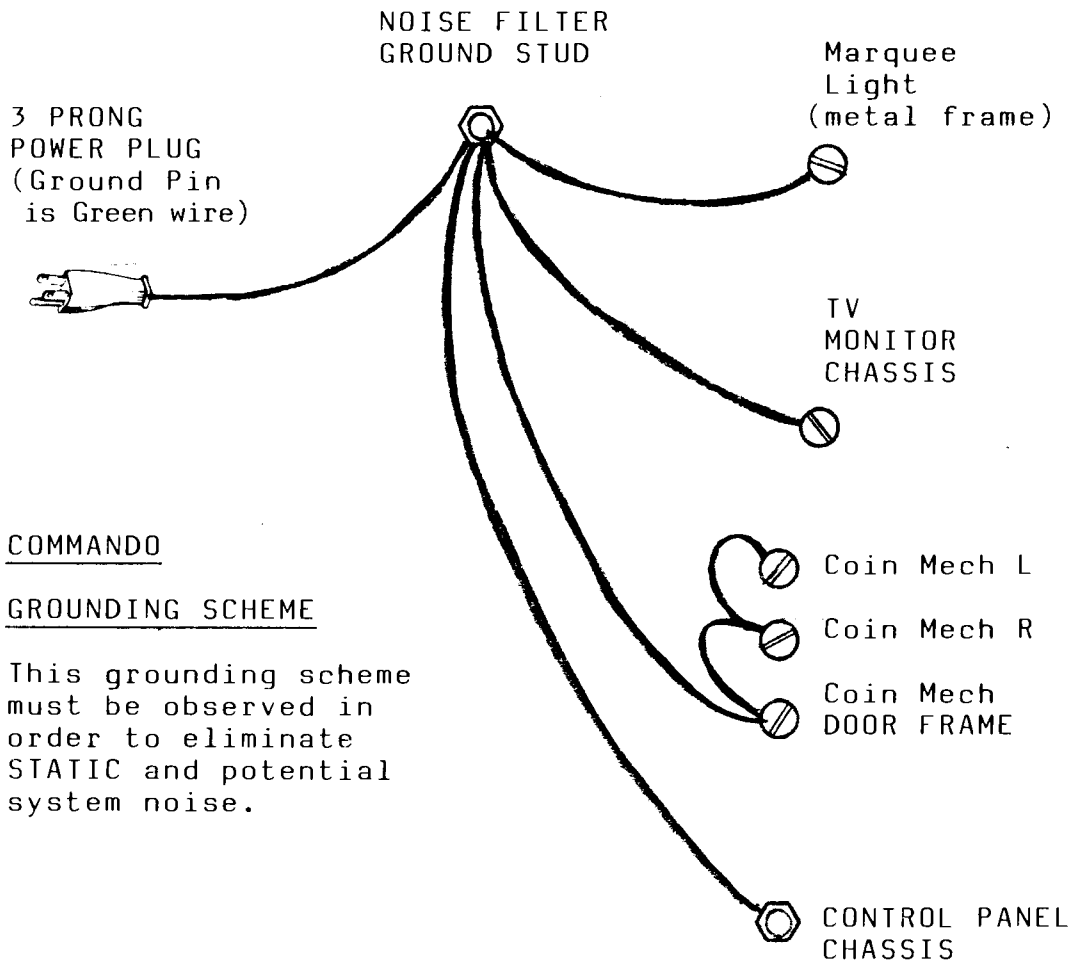
OPTION		1	2	3	4	5	6	7	8
COCKTAIL TABLE UPRIGHT		OFF ON							
JOYSTICK 2 WAY JOYSTICK 1 WAY		ON ON	OFF ON						
MONITOR REVERSE SWITCH				OFF ON					
DIFFICULTY	NORMAL DIFFICULT				OFF ON				
ATTRACT MODE	SOUND ON SOUND OFF					OFF ON			
BONUS 'LIFE' AWARD	10,000 & after 50,000						OFF	OFF	OFF
	10,000 & after 60,000						ON	OFF	OFF
	20,000 & after 60,000						OFF	ON	OFF
	20,000 & after 70,000						ON	ON	OFF
	30,000 & after 70,000						OFF	OFF	ON
	30,000 & after 80,000						ON	OFF	ON
	40,000 & after 100,000						OFF	ON	ON
	NO BONUS LIVES GIVEN						ON	ON	ON

C O M M A N D O

PCB IDENTIFICATION AND COMPONENT LOCATIONS

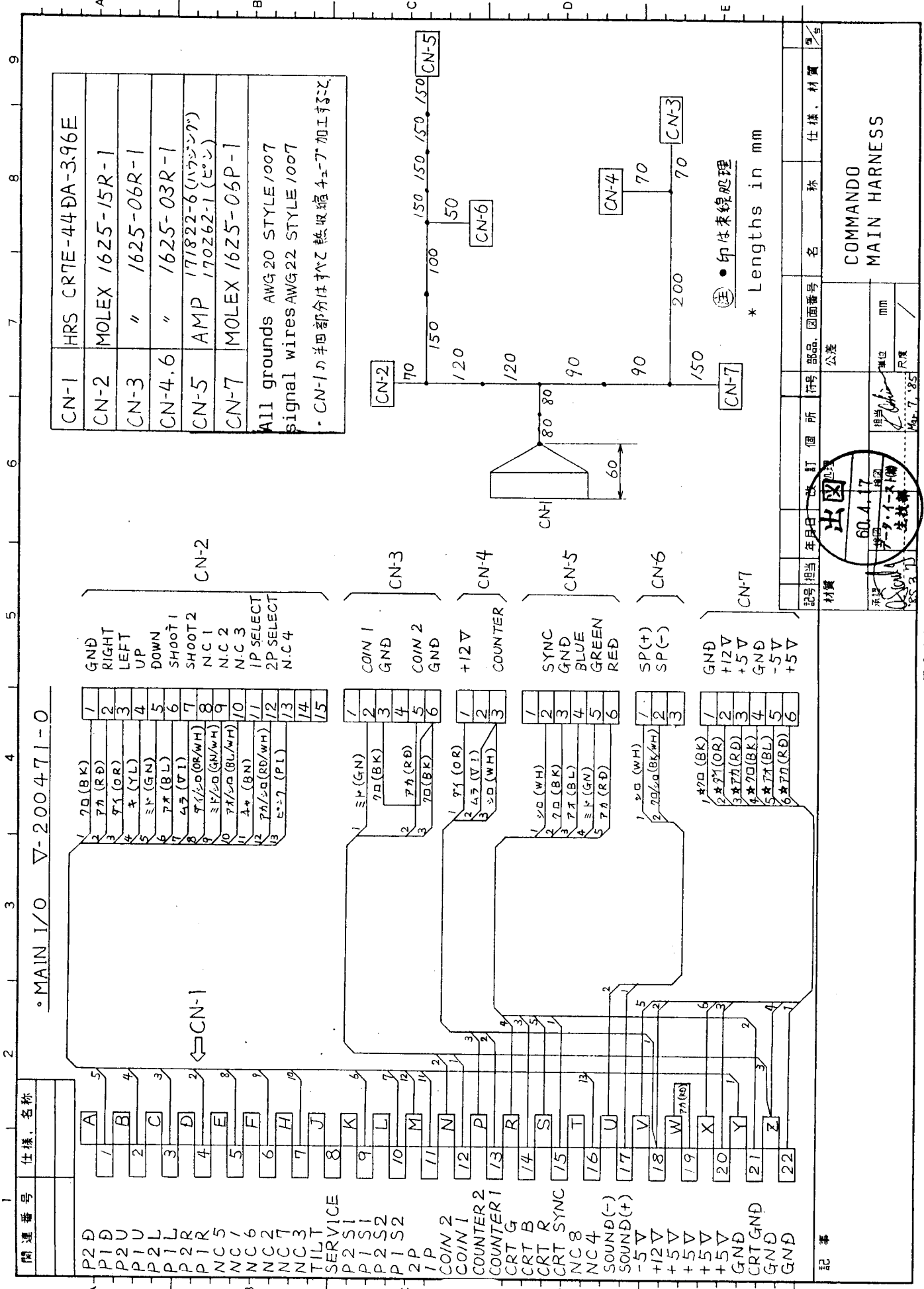


NOTE: USE OF THE RFI FILTER PCB IS MANDATORY IN ORDER TO PREVENT UNDESIRABLE RADIO FREQUENCY INTERFERENCE. DO NOT ATTEMPT TO BYPASS THIS FILTER! NO RFI SHIELD IS NECESSARY.



1. Ground wire of 3 prong power plug to be connected to Ground Stud on Noise Filter.
2. Marquee Light metal frame to be connected to ground stud on Noise Filter.
3. TV Monitor Chassis to be connected to ground stud on Noise Filter.
4. Coin Mech L, Coin Mech R and Coin Mech Door Frame to be connected to ground stud on Noise Filter.
5. Control Panel Chassis to be connected to ground stud on Noise Filter.
6. All connections must have good mechanical & electrical bond.
7. All connections to be made with #18 or larger green wire.





SOLDER SIDE				COMPONENT SIDE	
GND	A	1	GND		
GND	B	2	GND		
+5	C	3	+5		
+5	D	4	+5		
Ⓞ	E	5	Ⓡ		
SYNC.	F	6	Ⓟ		
GND	H	7	GND		
KEYWAY		J	8	KEYWAY	
2P	SHOT 2	K	9	SHOT 2	IP
	SHOT 1	L	10	SHOT 1	
	UP 1	M	11	UP 1	
	DOWN 1	N	12	DOWN 1	
	LEFT 1	P	13	LEFT 1	
	RIGHT 1	R	14	RIGHT 1	
	GND	S	15	GND	
	2P SELECT	T	16	IP SELECT	
	(D5)	U	17	(D4)	
	COIN 2	V	18	COIN 1	
	GND	W	19	GND	
		X	20		
		Y	21		
	+12V COMMON	Z	22	+12V COMMON	
COUNTER 2	a	23	COUNTER 1		
SP ⊖	b	24	SP ⊕		
+12	c	25	+12		
GND (12V)	d	26	GND (12V)		
GND	e	27	GND		
GND	f	28	GND		

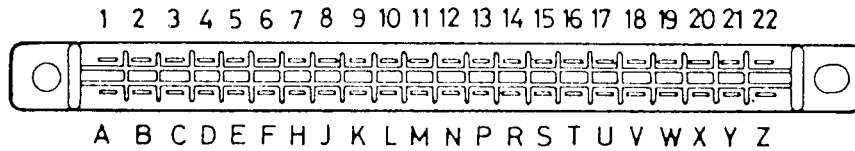
CONNECTOR TYPES  
 CR7E - 56DA - 3.96E : HIROSE  
 OF  
 1168 - 056 - 009 : KEL

EDGE CONNECTOR	
14	85605-1-1/2

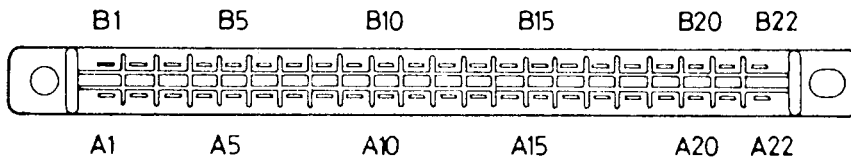
C O M M A N D O

56 PIN TO 44 PIN ADAPTOR & RFI FILTER PCB  
MAIN HARNESS CONNECTIONS

a) CONNECTOR CR7E-44DA-3.96E (HIROSE) 3.96mm



b) CONNECTOR 1168-044-009 (KEL) 3.96mm



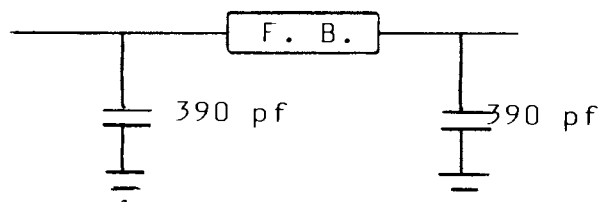
56 PIN to 44 PIN ADAPTER AND RFI FILTER PCB  
MAIN HARNESS CONNECTIONS

COMPONENT SIDE		SOLDER SIDE					
Pin Nos		Signal		Pin Nos		Signal	
	KEL				KEL		
1	B1	1P	DOWN	A	A1	2P	DOWN
2	B2	1P	UP	B	A2	2P	UP
3	B3	1P	LEFT	C	A3	2P	LEFT
4	B4	1P	RIGHT	D	A4	2P	RIGHT
5	B5			E	A5		
6	B6			F	A6		
7	B7			H	A7		
8	B8			J	A8		
9	B9	1P	SHOOT 1	K	A9	2P	SHOOT 1
10	B10	1P	SHOOT 2	L	A10	2P	SHOOT 2
11	B11	1P	GAME SELECT	M	A11	2P	GAME SELECT
12	B12	COIN	1	N	A12	COIN	2
13	B13	COIN	COUNTER 1	P	A13	COIN	COUNTER 2
14	B14	TV.	B	R	A14	TV.	G
15	B15	SYNC.		S	A15	TV.	R
16	B16			T	A16		
17	B17	SPEAKER	+	U	A17	SPEAKER	-
18	B18		+12V	V	A18		
19	B19		+5V	W	A19		+5V
20	B20		+5V	X	A20		+5V
21	B21	TV.	GND	Y	A21		GND
22	B22		GND	Z	A22		GND

56 PIN to 44 PIN ADAPTER & RFI FILTER PCB

The COMMANDO game was developed by CAPCOM CO. Ltd., who also produces the PC Board. The game developer has made no provision for compliance with Federal Communication Commission Rules and Regulations regarding Radio Frequency Interference generated by Class A computing devices. In order to ensure compliance with those regulations, DATA EAST has designed adequate RFI Filtering into the adapter PC Board. This PCB also serves as the interface between the COMMANDO 56 pin edge connector and the DATA EAST 44 pin connector.

All signals and voltages entering or leaving the COMMANDO PCB pass through a 'PI' filter network, with the exception of the ground connections and the R,G,B, & Sync signals for the Monitor, which are routed through a ferrite bead, in order to suppress unwanted radiation. Refer to the pin-out tables on pages 6 and 7 for guidance in tracing signals through this Adapter/Filter PCB.



TYPICAL FILTER NETWORK

CN - 2

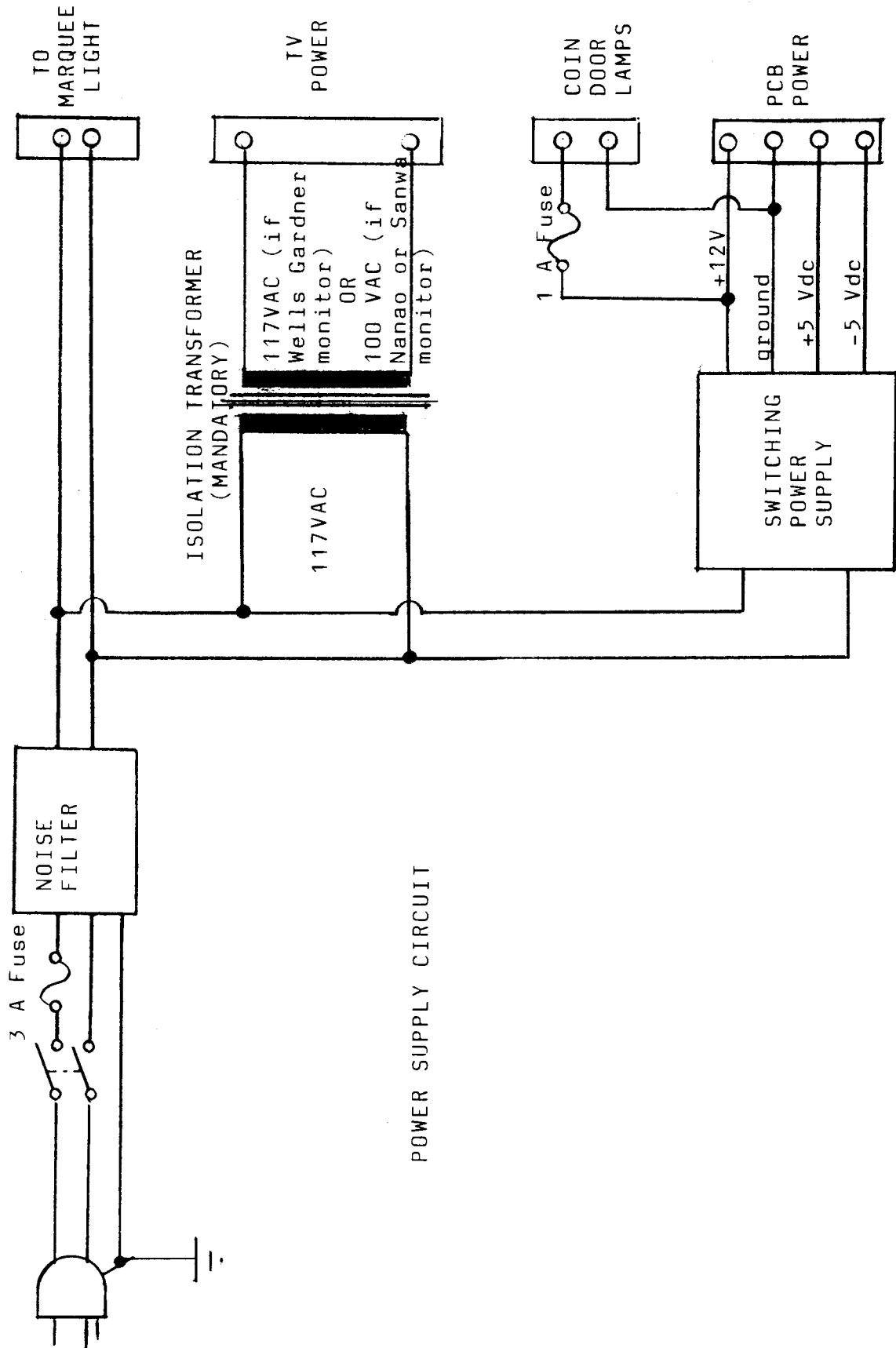
CN - 1

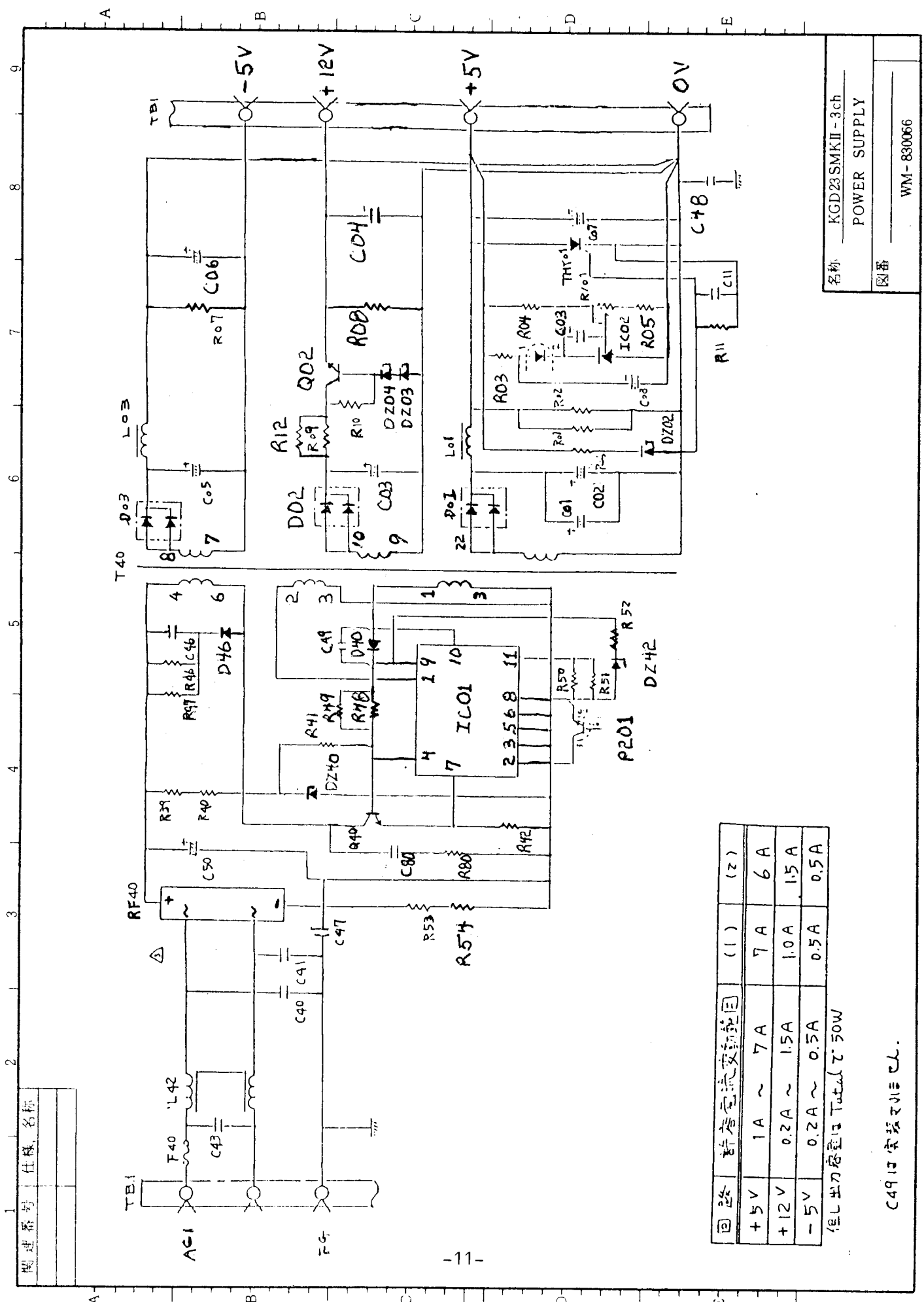
D		C
SCR B	1	SCR C
FLIP	2	SCR A
OH	3	6M
4H	4	4-3H
H2	5	H1
H8	6	H4
H32	7	H16
H128	8	H64
LHBL	9	H256
V2	10	V1
V8	11	V4
V32	12	V16
V128	13	V64
OBJ G	14	OBJ H
OBJ E	15	OBJ F
OBJ C	16	OBJ D
OBJ A	17	OBJ B
	18	HINIT
	19	
	20	
	21	
+5V	22	+5V
	23	
	24	
	25	

B		A
	1	DB0
	2	DB1
	3	DB2
	4	DB3
	5	DB4
GND	6	DB5
	7	DB6
	8	DB7
	9	GND
	10	
	11	
SCR G	12	
$\overline{\text{CBCS}}$	13	AB0
$\overline{\text{D8CS}}$	14	AB1
$\phi \text{ SC}$	15	AB2
SCR D	16	AB3
SCR E	17	AB4
SCR F	18	AB5
$\overline{\text{ACL 2}}$	19	AB6
$\overline{\text{OKOUT}}$	20	AB7
$\overline{\text{AKB}}$	21	AB8
$\overline{\text{RQB}}$	22	AB9
$\overline{\text{BLCNTEN}}$	23	AB10
$\overline{\text{WRB}}$	24	AB11
$\overline{\text{RDB}}$	25	AB12

JOINT CONNECTOR

85605 - 連實 - 1 - 2/2





图号	名称

回路	許容電流変動範囲	(1)	(2)
+5V	1A ~ 7A	7A	6A
+12V	0.2A ~ 1.5A	1.0A	1.5A
-5V	0.2A ~ 0.5A	0.5A	0.5A

但し出力容量は  $T_{amb} = 25^{\circ}C$  での 50W

C49は実装しない。

名称 KGD23SMKII-3ch  
POWER SUPPLY  
図番 WM-830066

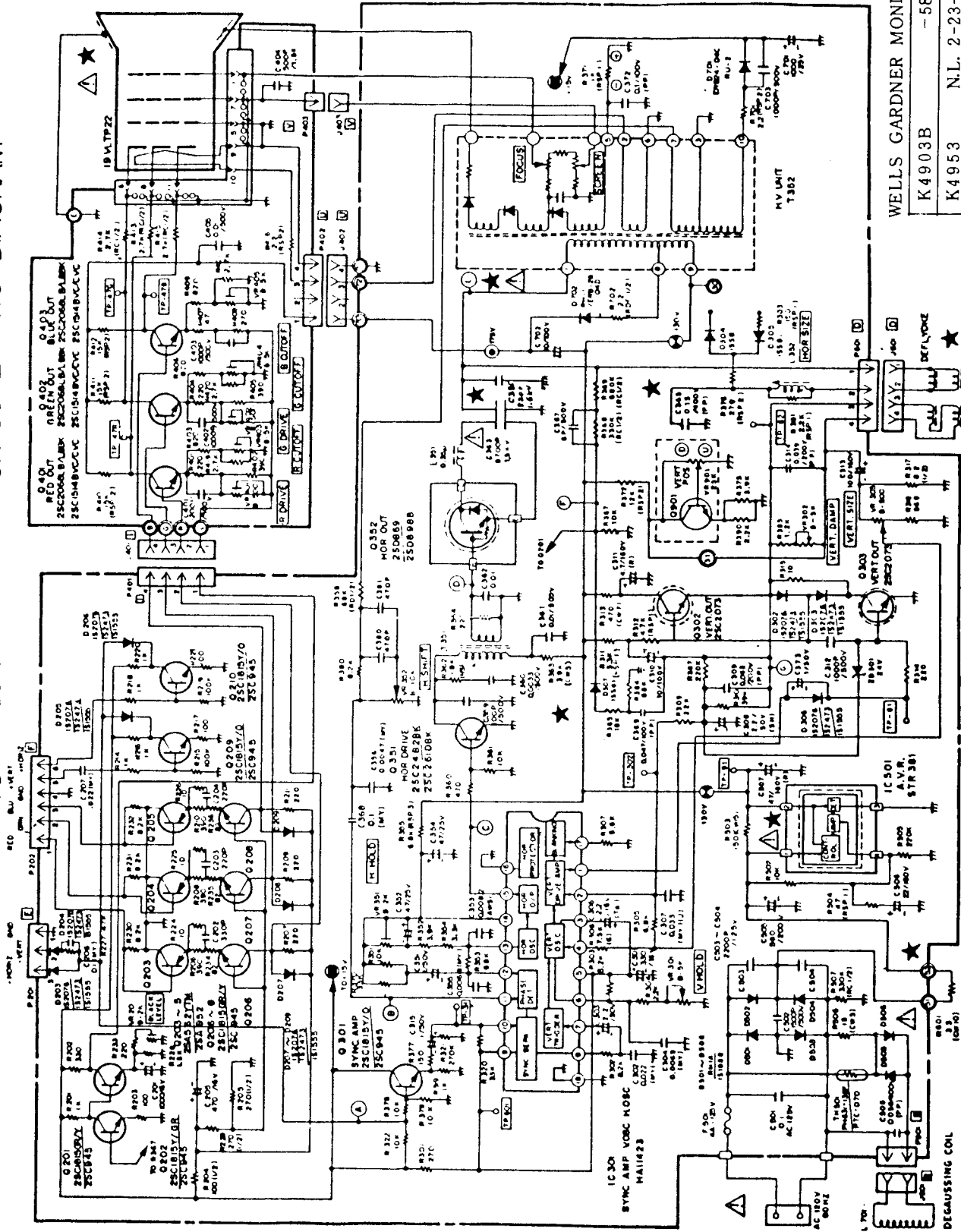
**POWER SUPPLY Model KGD23SMK-II**

Item	Parts Nos	Description	Specification	Q'ty	Manufacturer
1.	F40	Fuse	GHS 5	1	Nagasawa
2.	T40	Transformer		1	Shindengen
3.	L42	Common Mode Choke	UF327S 602YIRO	1	TDK
4.	Q40	Transistor	2SC3306	1	Toshiba
5.	RF40	Bridge Rectifier	S3WB 40	1	Shindengen
6.	D40	Diode	V19C	1	Hitachi
7.	D46	Diode	V19G	1	Hitachi
8.	DZ40	Zener Diode	HZ16-1	1	Hitachi
9.	IC01	HB IC	RHD01-2	1	Nichi-con
10.	PC01	Photo Coupler	PS 2018	1	Nichiden (NEC)
11.	C40, 41	Ceramic Capacitor	DE7090B 102KVAI 125V 1,000pf	2	Murata
12.	C47	Ceramic Capacitor	– ditto –	1	Murata
13.	C80	Ceramic Capacitor	DE0707B 681K 2KV DC 680p	1	Murata
14.	C42	Film Capacitor			
15.	C43	Film Capacitor	QXM2G 104KT 400V 0.1 $\mu$ f	1	Nichi-con
16.	C46	Film Capacitor	ECQ-E2 104KS 200V 0.1 $\mu$ f	1	Matsushita
17.	C48	Film Capacitor	ECQ-E6 473KZ 400V 0.047 $\mu$ f	1	Matsushita
18.	C50	Electrode Capacitor	LJA2D471 THSCBV 200V 470 $\mu$ f	1	Nichi-con
19.	R37, 40	Resistor	ERG-1SJ 393H	2	Matsushita
20.	R47, 46	Resistor	ERG-2SJ 223H	2	Matsushita
21.	R48, 49	Resistor	ERG-3SJ 560H	2	Matsushita
22.	R80	Resistor	ERG-2SJ 330H	1	Matsushita
23.	R42	Metal Plate Resistor	MFC 70 0.22 ohm	1	Fukushima Futaba
24.	R53, 54	Coil Resistor	MNS 05N 1ROJ	2	Micron
25.	R41	Carbon Resistor	1/4W 10K ohm	1	
26.	R50	Carbon Resistor	1/4W 680 ohm	1	
26.	R51	Carbon Resistor	1/4W 12K ohm	1	
28.	R52	Carbon Resistor			
29.	L01	Choke	RD1113A 3J 3uH 10A	1	Hokkoh
30.	L03	Choke	RD810A 3F 3uH 5A	1	Hokkoh
31.	Q02	Transistor	2SD1022 or 2SD1308	1	Shindengen
32.	D01	Diode	ESAC 83-004	1	Fuji Denki
33.	D02	Diode	5CH2M or ESAC25-020	1	Fuji Denki or NEC
34.	D03	Diode	– ditto –	1	Fuji Denki
35.	DZ02	Zener Diode	HZ 6B-2	1	Hitachi
36.	DZ03	Zener Diode	HZ 12B-1L	1	Hitachi
37.	THY01	Thyristor	5PIM or SF5B41	1	NEC or Toshiba
38.	IC02	I.C.	TL431 CLP	1	T.I.
39.	C01, 02	Capacitor	SXA 16VB 2200	2	Nichi-Chemi
40.	C03, 05	Capacitor	CEUSM 1V 471 35V 470 $\mu$ f	2	Nichi-con



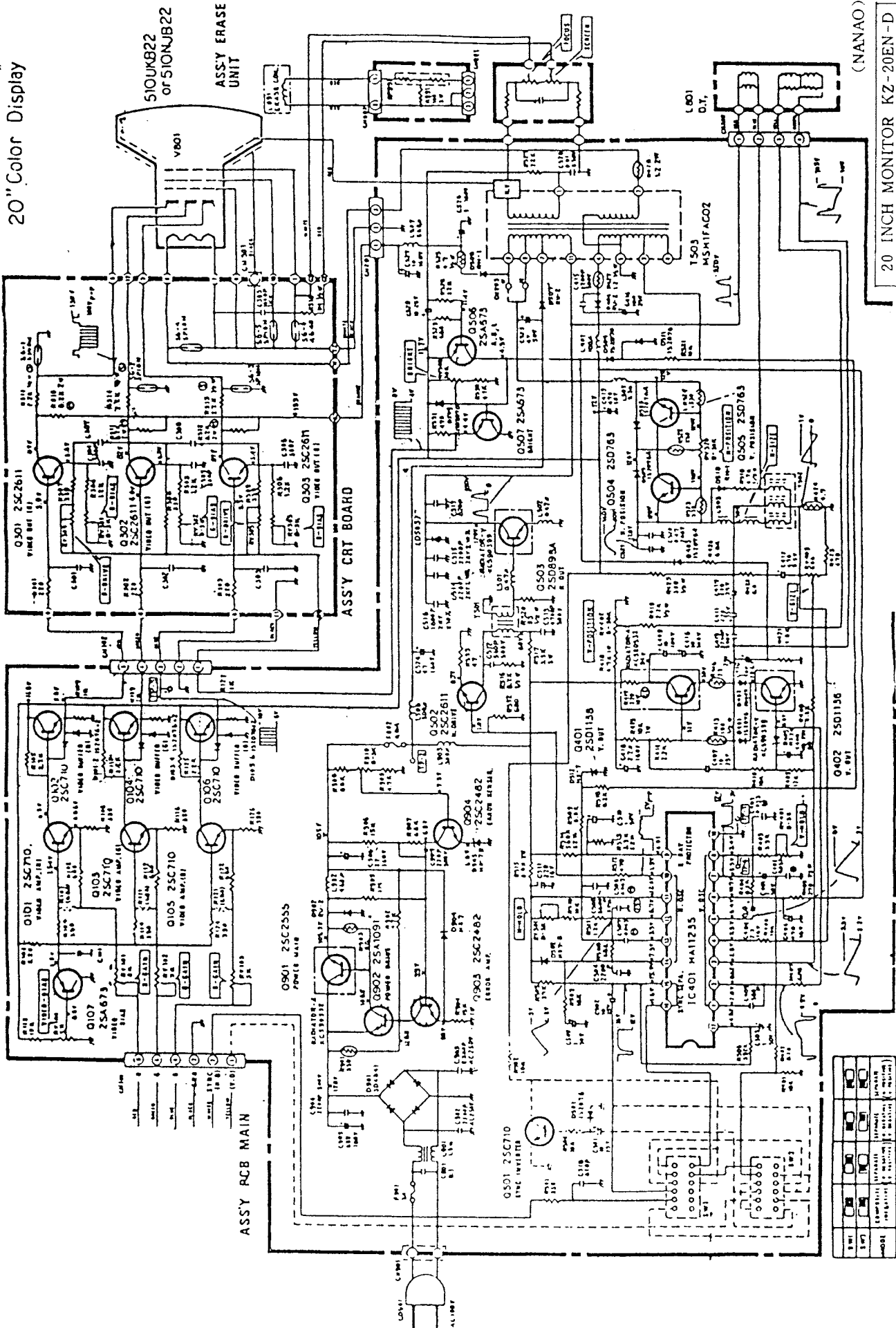
Item	Parts Nos	Description	Specification	Q'ty	Manufacturer
41.	C04	Capacitor	CEUSM 1E 331 25V 330 $\mu$ F	1	Nichi-con
42.	C07, 06	Capacitor	CEUSM 1E 331 25V 330 $\mu$ f	2	Nichi-con
43.	C08	Capacitor	CEUSM 1H 010	1	Nichi-con 50V 1 $\mu$ f
44.	C09	Capacitor	CEUSM 1V 4R7 35V 4.7 $\mu$ f	1	Nichi-con
45.	C11	Film Capacitor	TDY1H/2A 104K 50V 0.1 $\mu$ f	1	Nichi-con
46.	R01, 13	Resistor	ERG 3SJ 680H	2	Matsushita 3W 68 $\Omega$
47.	R08	Resistor	ERG3SJ 271H	1	Matsushita 3W 270 $\Omega$
48.	R09	Resistor	ERG 2SJ R68 2W 0.68 ohm	1	Matsushita
49.	R10	Resistor	ERG 1SJ 271 1W 270 ohm	1	Matsushita
50.	RV01	Volume	EVM38GA 00B52 500 ohm	1	Matsushita
51.	R03	Carbon Resistor	1/4W 68 ohm	1	
52.	R04, 11	Carbon Resistor	1/4W 560 ohm	2	
53.	R05	Carbon Resistor	1/4W 390 ohm	1	
54.	R06	Carbon Resistor	1/4W 15 ohm	1	
55.	R02				
56.		P.C. Board		1	
57.	TB1	Terminal Strip		1	
58.		Terminal	Faston	7	

# 19" COLOR GAME MONITOR SCHEMATIC DIAGRAM

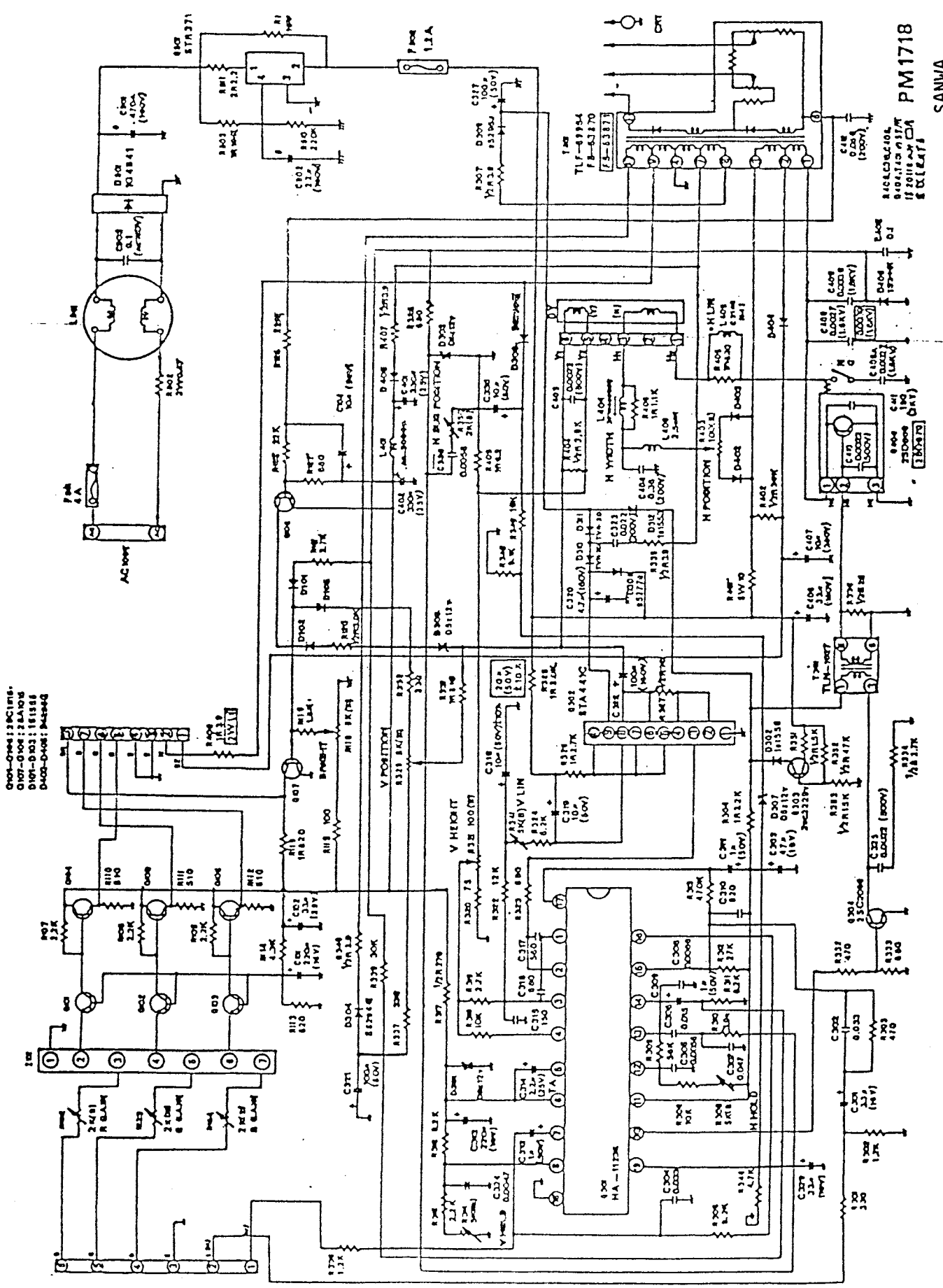


WELLS GARDNER MONITOR  
 K4903B  
 K4953 N.L. 2-23-84

20" Color Display

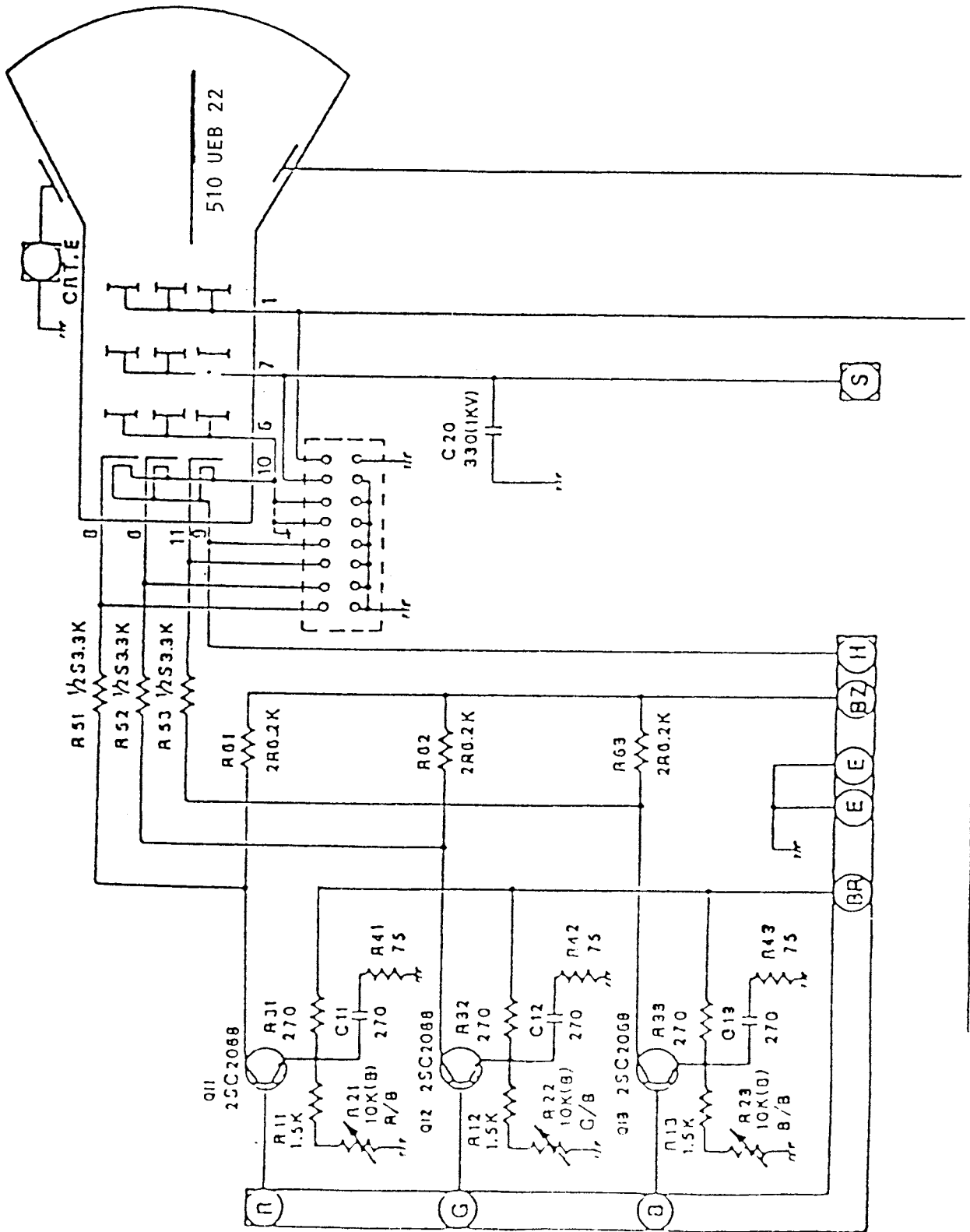


(NANAO)  
20 INCH MONITOR KZ-20EN-D  
K-10364



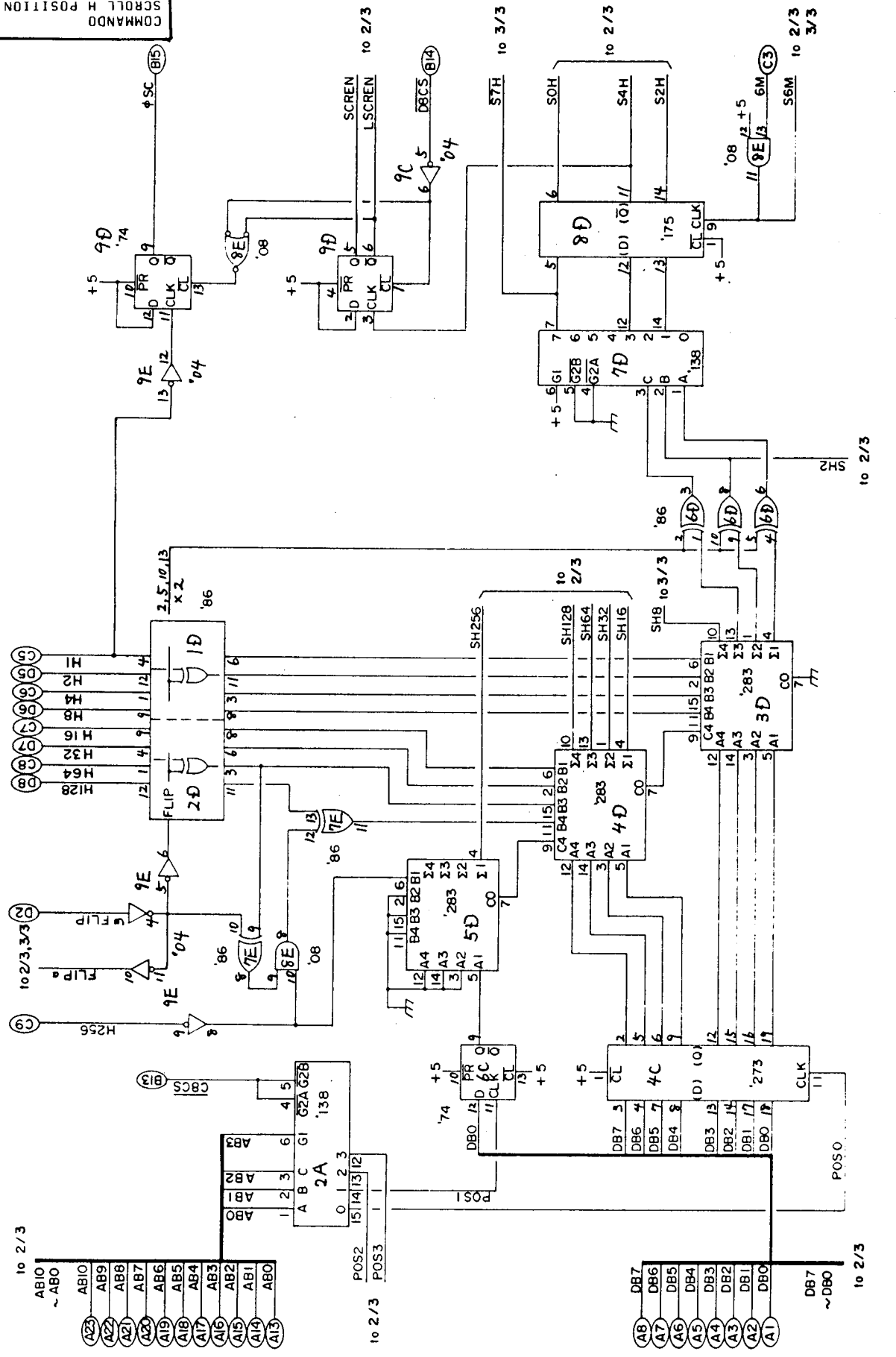
6X4-6X4S12C116,  
 6X4-6X4S12C116A,  
 6X4-6X4S12C116B,  
 6X4-6X4S12C116C,  
 6X4-6X4S12C116D

PM1718  
 SANWA

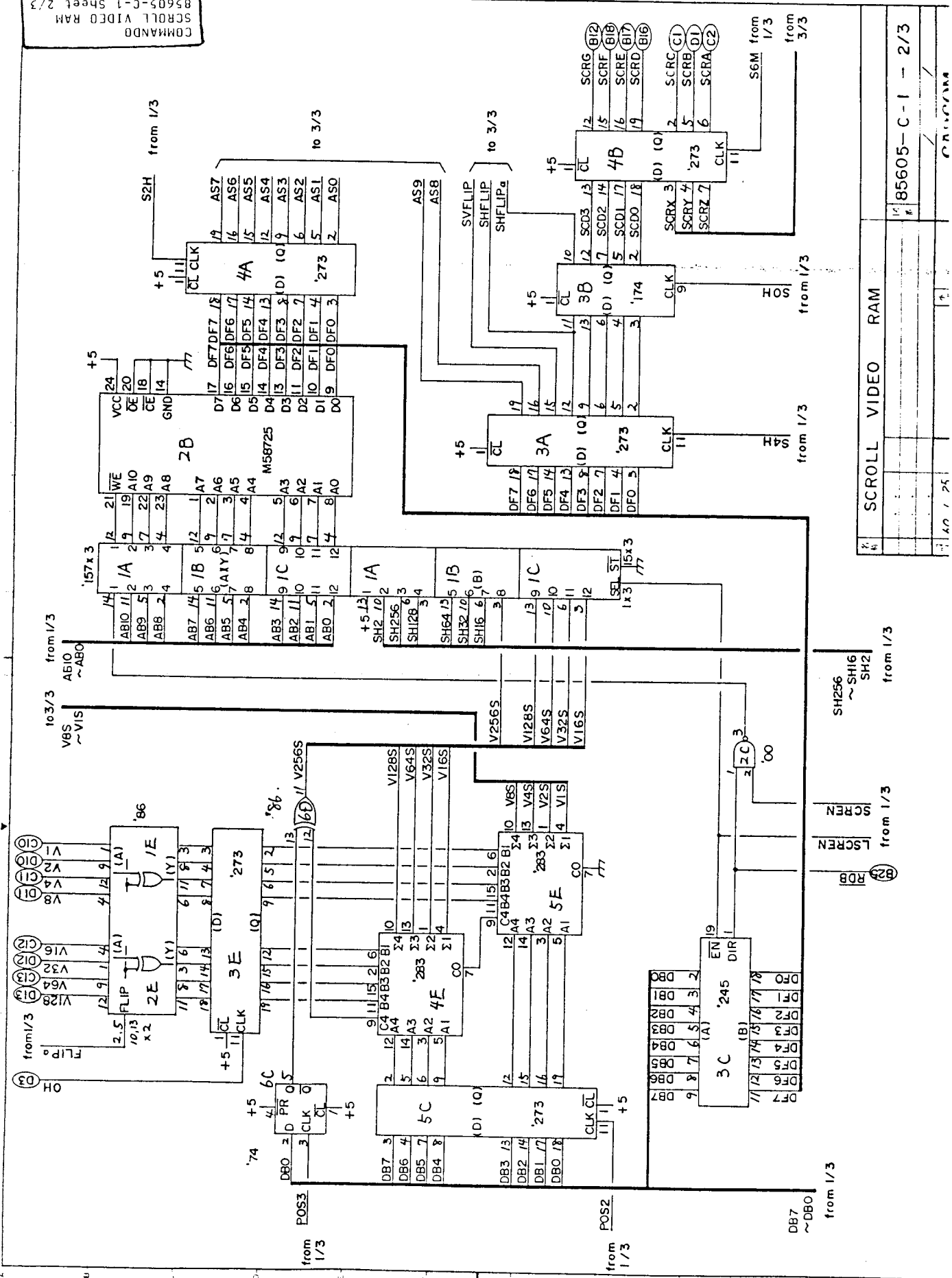


SANWA

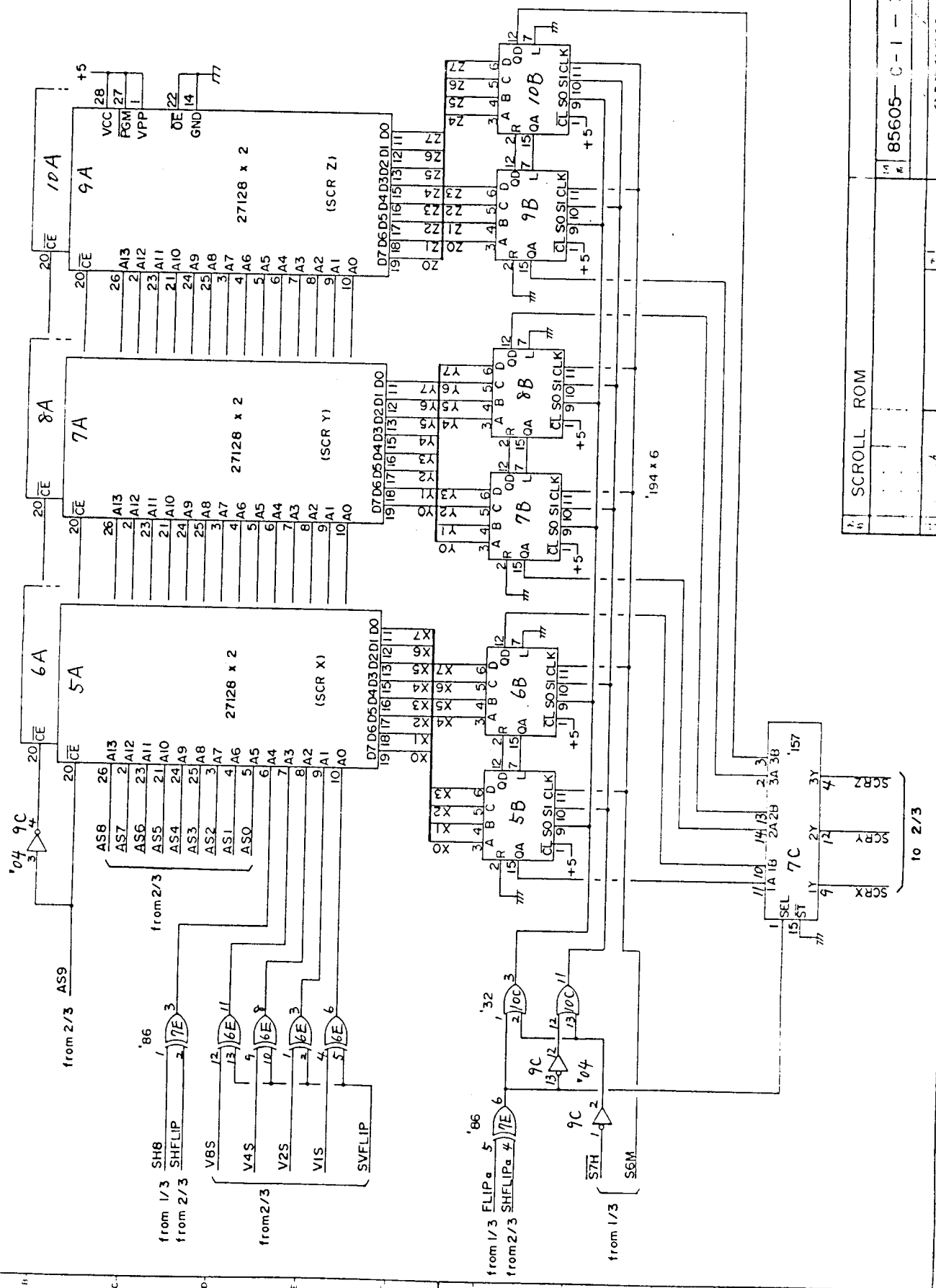
CRT.D W/B (PC1002)



COMMANDO	85605-C-1 - 1/3
SCROLL H POSITION	
1/3	



COMMANDO		SCROLL VIDEO RAM	
1	2	3	4
5	6	7	8
9	10	11	12
13	14	15	16
17	18	19	20
21	22	23	24
25	26	27	28
29	30	31	32
33	34	35	36
37	38	39	40
41	42	43	44
45	46	47	48
49	50	51	52
53	54	55	56
57	58	59	60
61	62	63	64
65	66	67	68
69	70	71	72
73	74	75	76
77	78	79	80
81	82	83	84
85	86	87	88
89	90	91	92
93	94	95	96
97	98	99	100
101	102	103	104
105	106	107	108
109	110	111	112
113	114	115	116
117	118	119	120
121	122	123	124
125	126	127	128
129	130	131	132
133	134	135	136
137	138	139	140
141	142	143	144
145	146	147	148
149	150	151	152
153	154	155	156
157	158	159	160
161	162	163	164
165	166	167	168
169	170	171	172
173	174	175	176
177	178	179	180
181	182	183	184
185	186	187	188
189	190	191	192
193	194	195	196
197	198	199	200
201	202	203	204
205	206	207	208
209	210	211	212
213	214	215	216
217	218	219	220
221	222	223	224
225	226	227	228
229	230	231	232
233	234	235	236
237	238	239	240
241	242	243	244
245	246	247	248
249	250	251	252
253	254	255	256
257	258	259	260
261	262	263	264
265	266	267	268
269	270	271	272
273	274	275	276
277	278	279	280
281	282	283	284
285	286	287	288
289	290	291	292
293	294	295	296
297	298	299	300
301	302	303	304
305	306	307	308
309	310	311	312
313	314	315	316
317	318	319	320
321	322	323	324
325	326	327	328
329	330	331	332
333	334	335	336
337	338	339	340
341	342	343	344
345	346	347	348
349	350	351	352
353	354	355	356
357	358	359	360
361	362	363	364
365	366	367	368
369	370	371	372
373	374	375	376
377	378	379	380
381	382	383	384
385	386	387	388
389	390	391	392
393	394	395	396
397	398	399	400
401	402	403	404
405	406	407	408
409	410	411	412
413	414	415	416
417	418	419	420
421	422	423	424
425	426	427	428
429	430	431	432
433	434	435	436
437	438	439	440
441	442	443	444
445	446	447	448
449	450	451	452
453	454	455	456
457	458	459	460
461	462	463	464
465	466	467	468
469	470	471	472
473	474	475	476
477	478	479	480
481	482	483	484
485	486	487	488
489	490	491	492
493	494	495	496
497	498	499	500

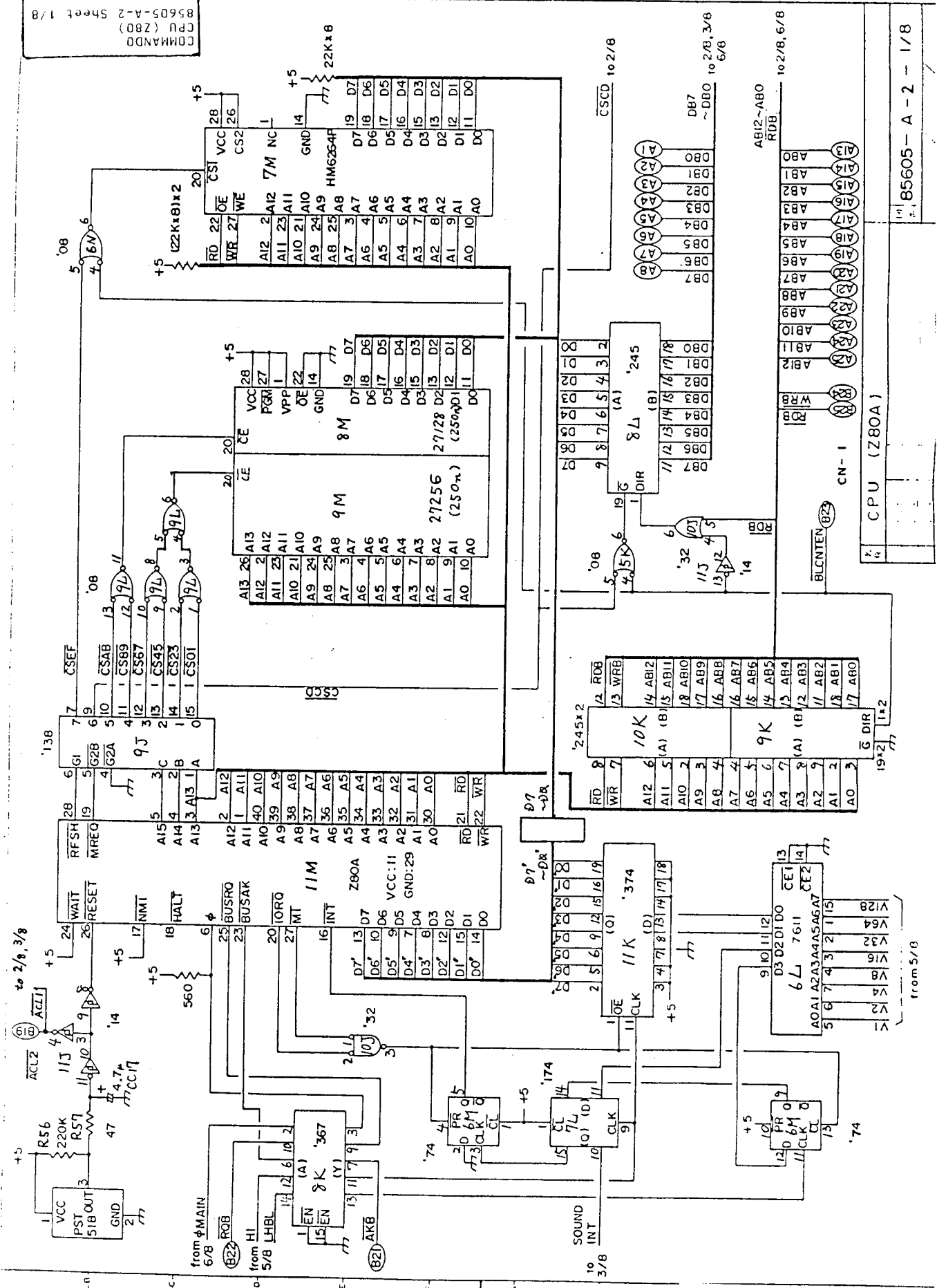


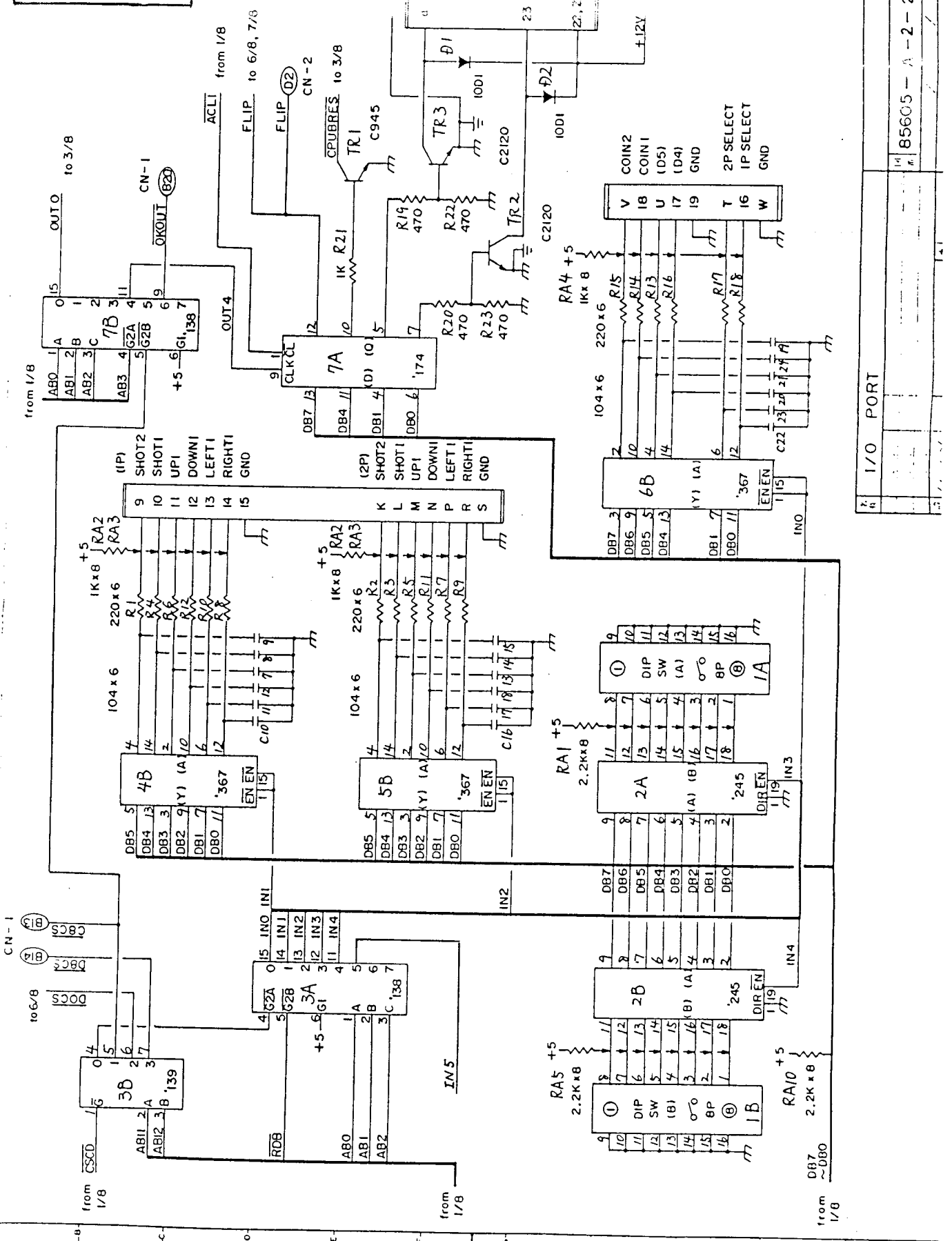
1	h	1	1
2	h	1	1
3	h	1	1
4	h	1	1
5	h	1	1
6	h	1	1
7	h	1	1
8	h	1	1
9	h	1	1
10	h	1	1
11	h	1	1
12	h	1	1
13	h	1	1
14	h	1	1
15	h	1	1
16	h	1	1
17	h	1	1
18	h	1	1
19	h	1	1
20	h	1	1
21	h	1	1
22	h	1	1
23	h	1	1
24	h	1	1
25	h	1	1
26	h	1	1
27	h	1	1
28	h	1	1
29	h	1	1
30	h	1	1
31	h	1	1
32	h	1	1
33	h	1	1
34	h	1	1
35	h	1	1
36	h	1	1
37	h	1	1
38	h	1	1
39	h	1	1
40	h	1	1
41	h	1	1
42	h	1	1
43	h	1	1
44	h	1	1
45	h	1	1
46	h	1	1
47	h	1	1
48	h	1	1
49	h	1	1
50	h	1	1
51	h	1	1
52	h	1	1
53	h	1	1
54	h	1	1
55	h	1	1
56	h	1	1
57	h	1	1
58	h	1	1
59	h	1	1
60	h	1	1
61	h	1	1
62	h	1	1
63	h	1	1
64	h	1	1
65	h	1	1
66	h	1	1
67	h	1	1
68	h	1	1
69	h	1	1
70	h	1	1
71	h	1	1
72	h	1	1
73	h	1	1
74	h	1	1
75	h	1	1
76	h	1	1
77	h	1	1
78	h	1	1
79	h	1	1
80	h	1	1
81	h	1	1
82	h	1	1
83	h	1	1
84	h	1	1
85	h	1	1
86	h	1	1
87	h	1	1
88	h	1	1
89	h	1	1
90	h	1	1
91	h	1	1
92	h	1	1
93	h	1	1
94	h	1	1
95	h	1	1
96	h	1	1
97	h	1	1
98	h	1	1
99	h	1	1
100	h	1	1

COMMANDO SCROLL ROM

85605-C-1 - 3/3

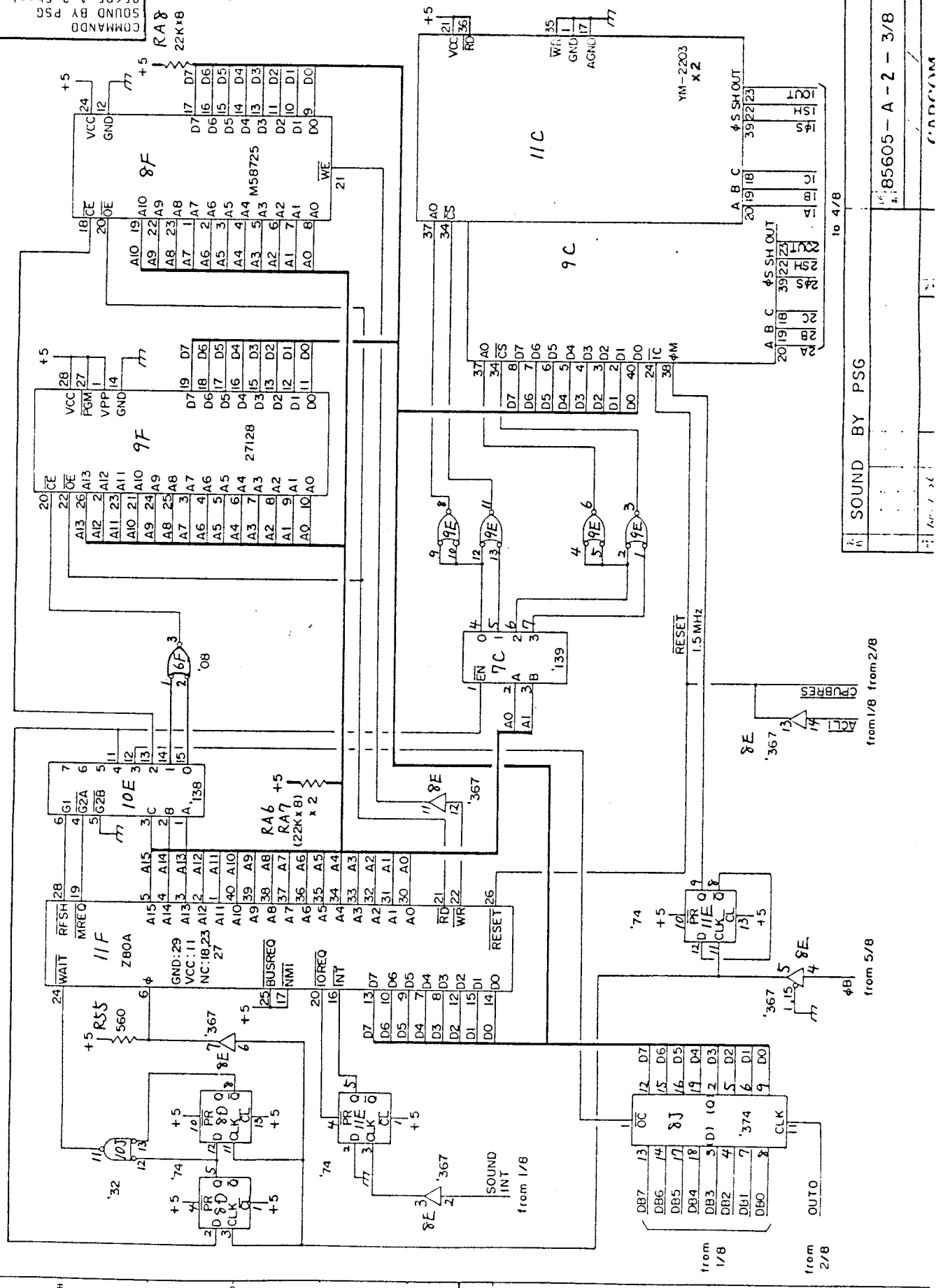






14	85605 - A - 2 - 2/8
15	
16	
17	
18	
19	
20	
21	
22	
23	
24	
25	
26	
27	
28	
29	
30	
31	
32	
33	
34	
35	
36	
37	
38	
39	
40	
41	
42	
43	
44	
45	
46	
47	
48	
49	
50	
51	
52	
53	
54	
55	
56	
57	
58	
59	
60	
61	
62	
63	
64	
65	
66	
67	
68	
69	
70	
71	
72	
73	
74	
75	
76	
77	
78	
79	
80	
81	
82	
83	
84	
85	
86	
87	
88	
89	
90	
91	
92	
93	
94	
95	
96	
97	
98	
99	
100	

1	
2	
3	
4	
5	
6	
7	
8	
9	
10	
11	
12	
13	
14	
15	
16	
17	
18	
19	
20	
21	
22	
23	
24	
25	
26	
27	
28	
29	
30	
31	
32	
33	
34	
35	
36	
37	
38	
39	
40	
41	
42	
43	
44	
45	
46	
47	
48	
49	
50	
51	
52	
53	
54	
55	
56	
57	
58	
59	
60	
61	
62	
63	
64	
65	
66	
67	
68	
69	
70	
71	
72	
73	
74	
75	
76	
77	
78	
79	
80	
81	
82	
83	
84	
85	
86	
87	
88	
89	
90	
91	
92	
93	
94	
95	
96	
97	
98	
99	
100	



1	to 4/8
2	to 4/8
3	to 4/8
4	to 4/8
5	to 4/8
6	to 4/8
7	to 4/8
8	to 4/8
9	to 4/8
10	to 4/8
11	to 4/8
12	to 4/8
13	to 4/8
14	to 4/8
15	to 4/8
16	to 4/8
17	to 4/8
18	to 4/8
19	to 4/8
20	to 4/8
21	to 4/8
22	to 4/8
23	to 4/8
24	to 4/8
25	to 4/8
26	to 4/8
27	to 4/8
28	to 4/8
29	to 4/8
30	to 4/8
31	to 4/8
32	to 4/8
33	to 4/8
34	to 4/8
35	to 4/8
36	to 4/8
37	to 4/8
38	to 4/8
39	to 4/8
40	to 4/8
41	to 4/8
42	to 4/8
43	to 4/8
44	to 4/8
45	to 4/8
46	to 4/8
47	to 4/8
48	to 4/8
49	to 4/8
50	to 4/8
51	to 4/8
52	to 4/8
53	to 4/8
54	to 4/8
55	to 4/8
56	to 4/8
57	to 4/8
58	to 4/8
59	to 4/8
60	to 4/8
61	to 4/8
62	to 4/8
63	to 4/8
64	to 4/8
65	to 4/8
66	to 4/8
67	to 4/8
68	to 4/8
69	to 4/8
70	to 4/8
71	to 4/8
72	to 4/8
73	to 4/8
74	to 4/8
75	to 4/8
76	to 4/8
77	to 4/8
78	to 4/8
79	to 4/8
80	to 4/8
81	to 4/8
82	to 4/8
83	to 4/8
84	to 4/8
85	to 4/8
86	to 4/8
87	to 4/8
88	to 4/8
89	to 4/8
90	to 4/8
91	to 4/8
92	to 4/8
93	to 4/8
94	to 4/8
95	to 4/8
96	to 4/8
97	to 4/8
98	to 4/8
99	to 4/8
100	to 4/8

SOUND BY PSG

from 1/8

from 2/8

from 5/8

from 1/8

from 2/8

from 5/8

from 1/8

from 2/8

from 5/8

from 1/8

from 2/8

from 5/8

from 1/8

from 2/8

from 5/8

from 1/8

from 2/8

from 5/8

from 1/8

from 2/8

from 5/8

from 1/8

from 2/8

from 5/8

from 1/8

from 2/8

from 5/8

from 1/8

from 2/8

from 5/8

from 1/8

from 2/8

from 5/8

from 1/8

from 2/8

from 5/8

from 1/8

from 2/8

from 5/8

from 1/8

from 2/8

from 5/8

from 1/8

from 2/8

from 5/8

from 1/8

from 2/8

from 5/8

from 1/8

from 2/8

from 5/8

from 1/8

from 2/8

from 5/8

from 1/8

from 2/8

from 5/8

from 1/8

from 2/8

from 5/8

from 1/8

from 2/8

from 5/8

from 1/8

from 2/8

from 5/8

from 1/8

from 2/8

from 5/8

from 1/8

from 2/8

from 5/8

from 1/8

from 2/8

from 5/8

from 1/8

from 2/8

from 5/8

from 1/8

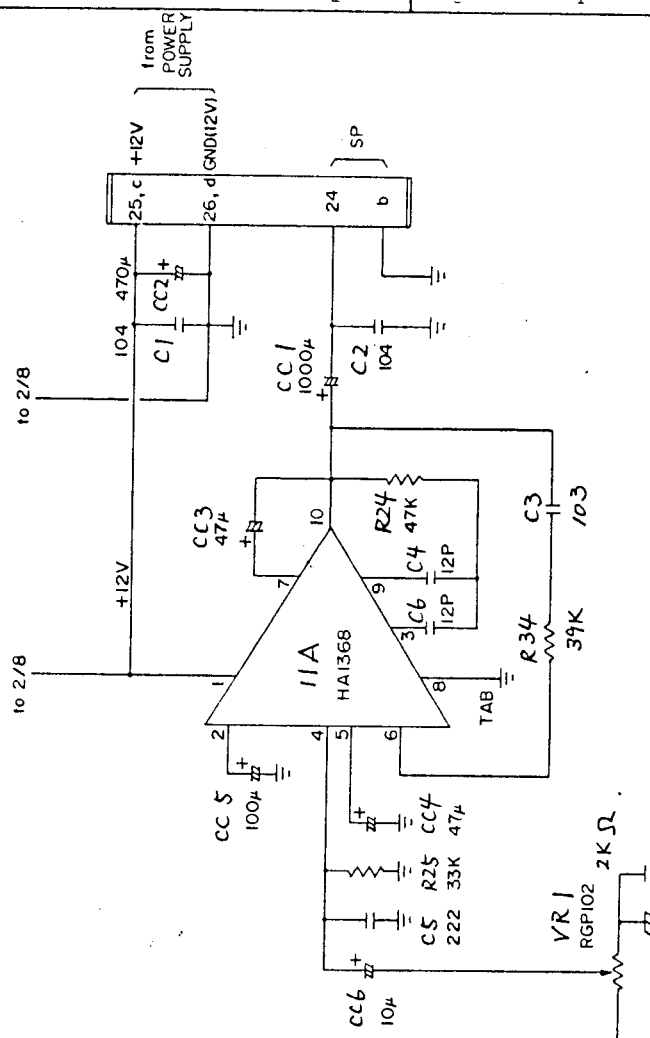
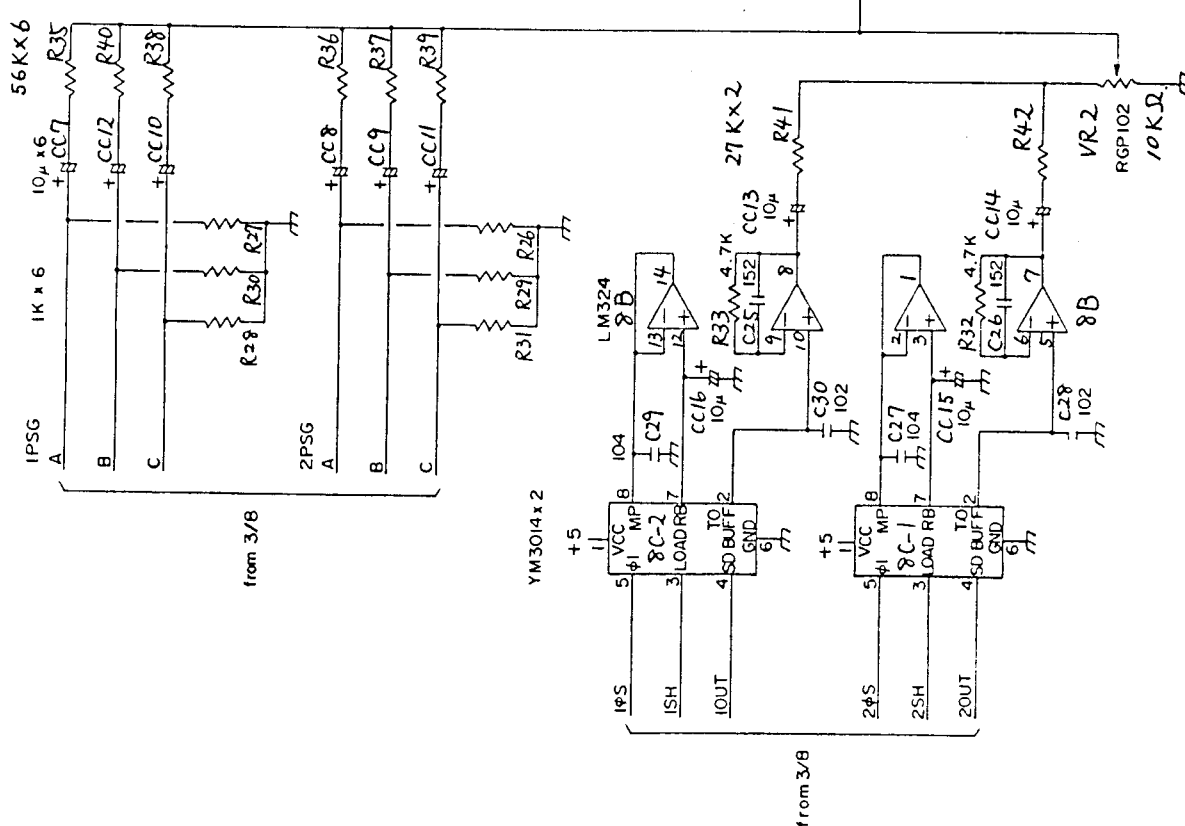
from 2/8

from 5/8

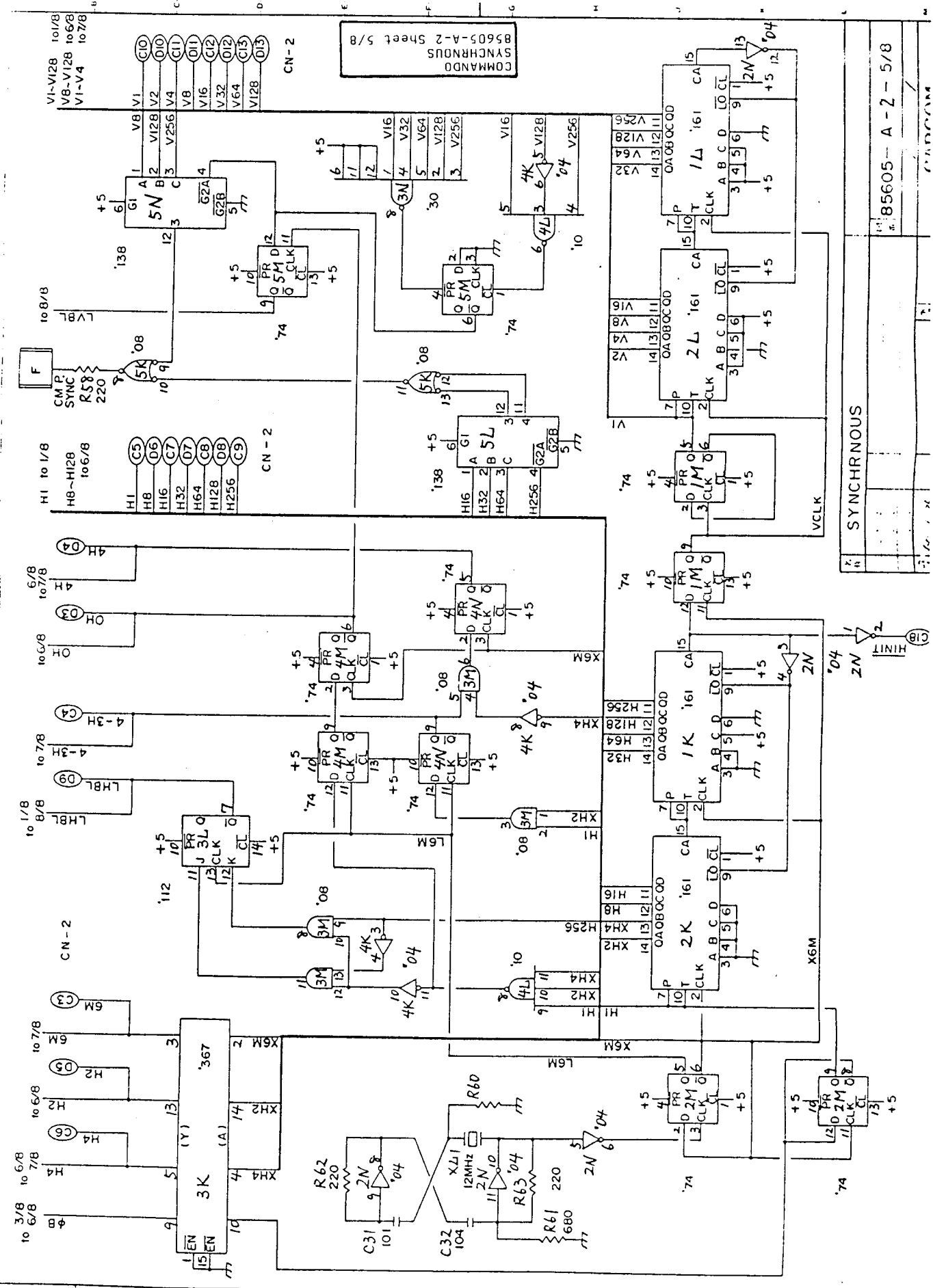
from 1/8

from 2/8

from 5/8

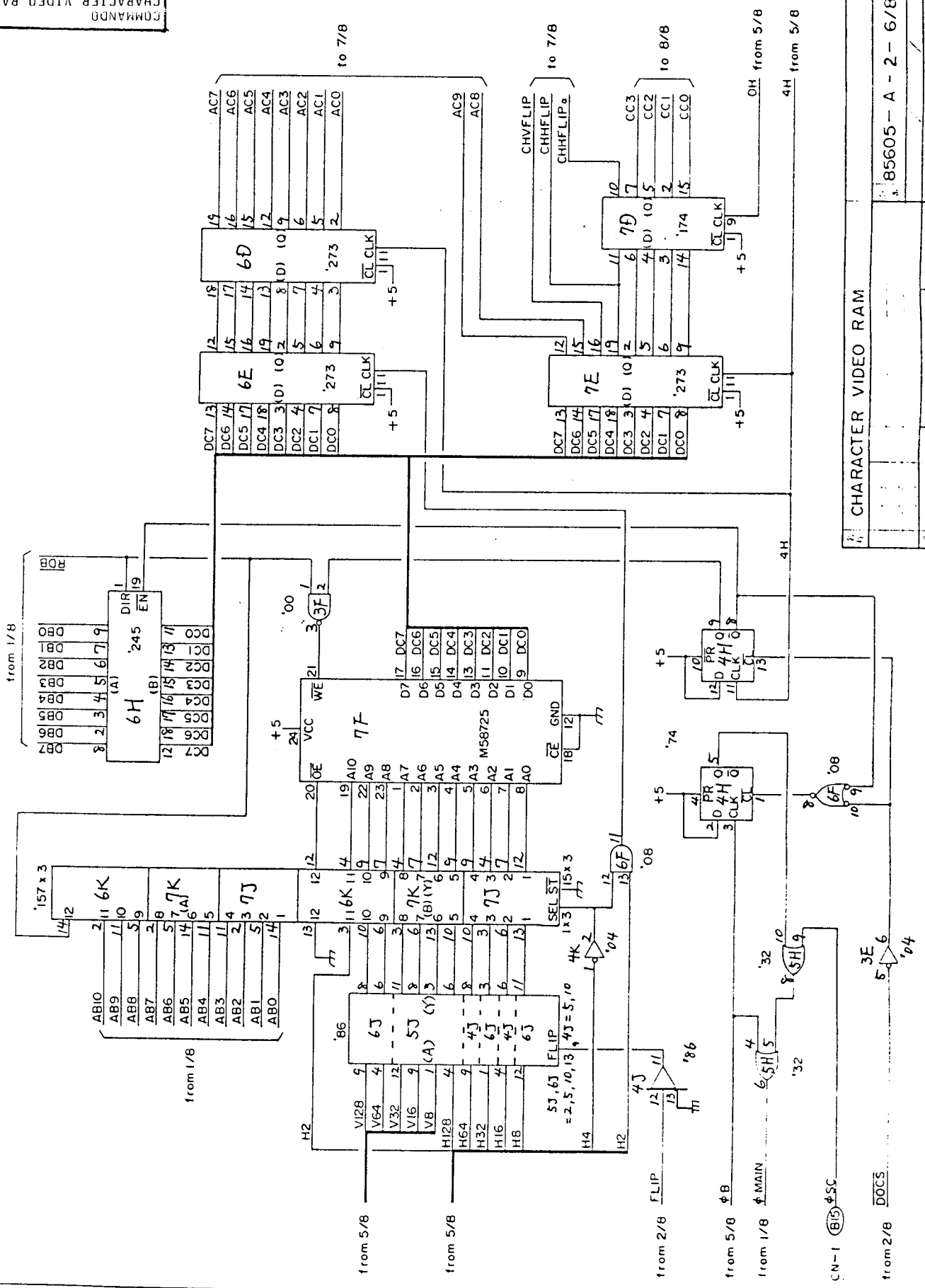


MAIN AMP	
60.4.1	R35~R40 55K→56K 容値値 変更
4.1	R41, R42 55K→27K 変更
85605-A-2-4/8	

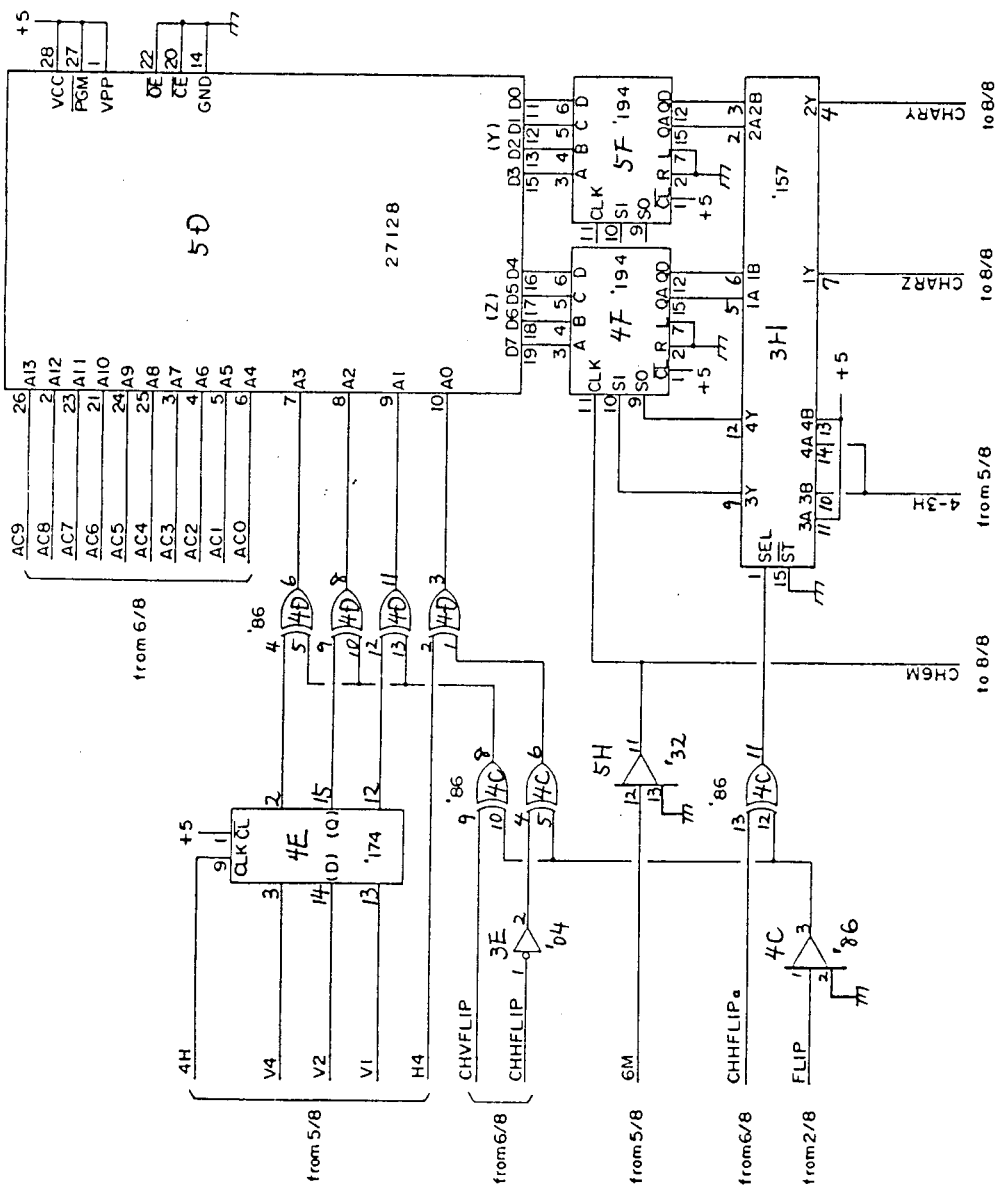


COMMANDO  
SYNCHRONOUS  
85605-A-2 Sheet 5/8

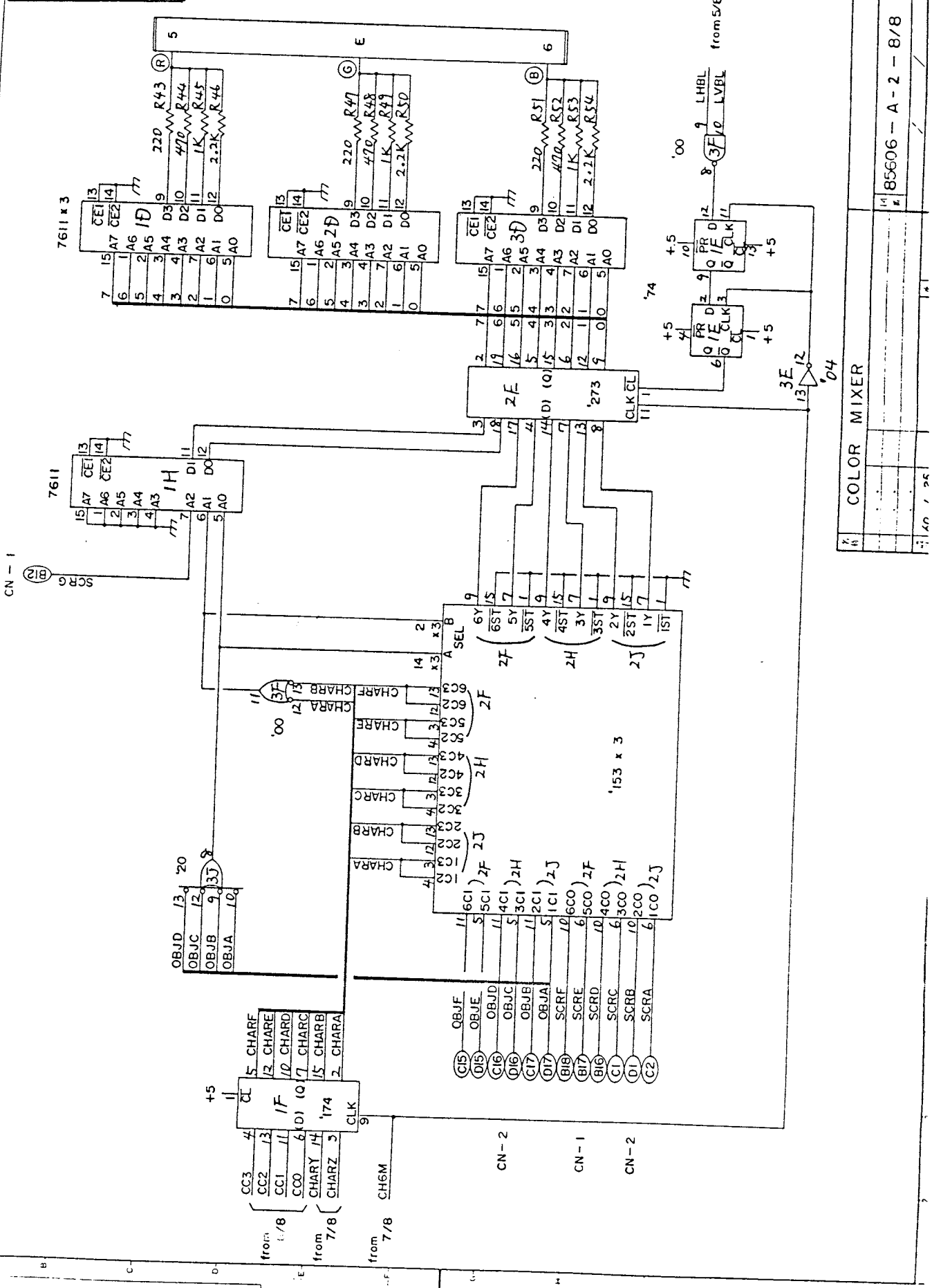
COMMANDO  
SYNCHRONOUS  
85605-A-2 5/8



CHARACTER VIDEO RAM  
85605-A-2-6/8



CHARACTER GENERATOR ROM	
10	85605-A-2 - 7/8
11	CADCOM



1	10	15
2	11	16
3	12	17
4	13	18
5	14	19
6	15	20
7	16	21
8	17	22
9	18	23
10	19	24
11	20	25
12	21	26
13	22	27
14	23	28
15	24	29
16	25	30
17	26	31
18	27	32
19	28	33
20	29	34
21	30	35
22	31	36
23	32	37
24	33	38
25	34	39
26	35	40
27	36	41
28	37	42
29	38	43
30	39	44
31	40	45
32	41	46
33	42	47
34	43	48
35	44	49
36	45	50
37	46	51
38	47	52
39	48	53
40	49	54
41	50	55
42	51	56
43	52	57
44	53	58
45	54	59
46	55	60
47	56	61
48	57	62
49	58	63
50	59	64
51	60	65
52	61	66
53	62	67
54	63	68
55	64	69
56	65	70
57	66	71
58	67	72
59	68	73
60	69	74
61	70	75
62	71	76
63	72	77
64	73	78
65	74	79
66	75	80
67	76	81
68	77	82
69	78	83
70	79	84
71	80	85
72	81	86
73	82	87
74	83	88
75	84	89
76	85	90
77	86	91
78	87	92
79	88	93
80	89	94
81	90	95
82	91	96
83	92	97
84	93	98
85	94	99
86	95	100

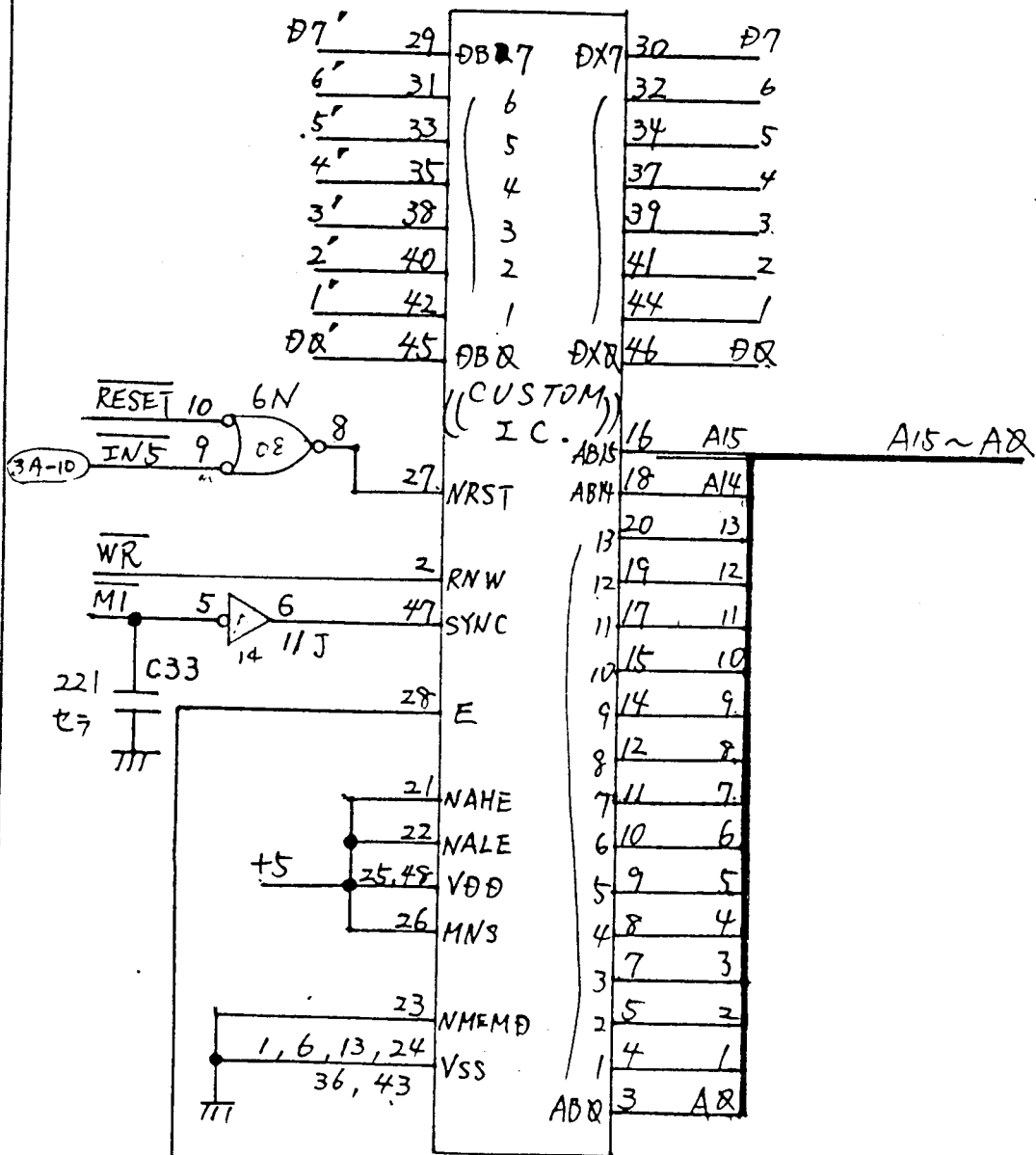
COLOR MIXER  
 85606 - A - 2 - 8/8



CPU側

10M

Memory側

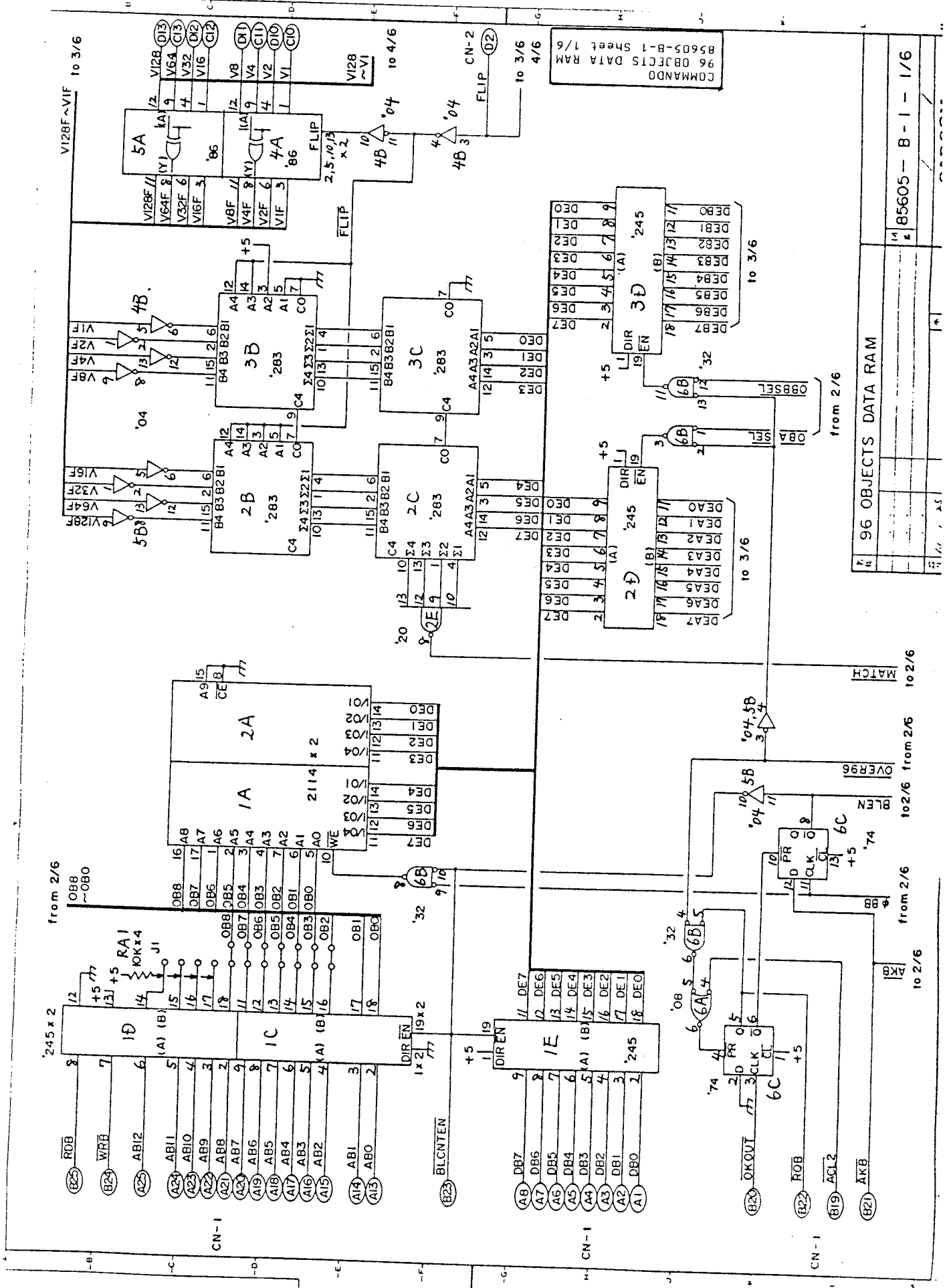


(SIGNAL)

IN5 のみ 2/8 8' )

(図番)

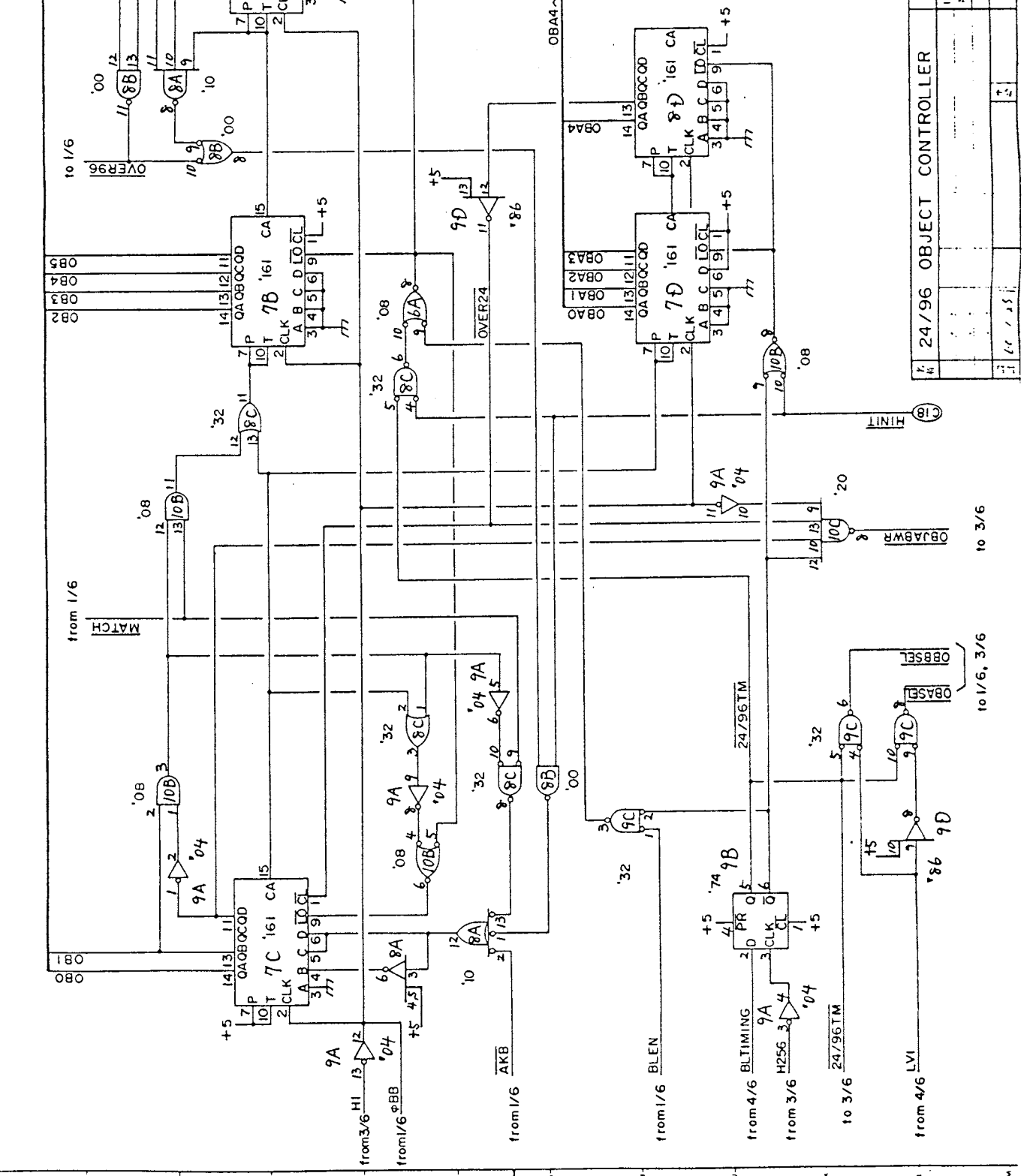
COMMANDO  
CUSTOM CHIP  
85605-A-2 Sheet 1/1



85605-B-1 Sheet 1/6  
 COMMANDO  
 96 OBJECTS DATA RAM

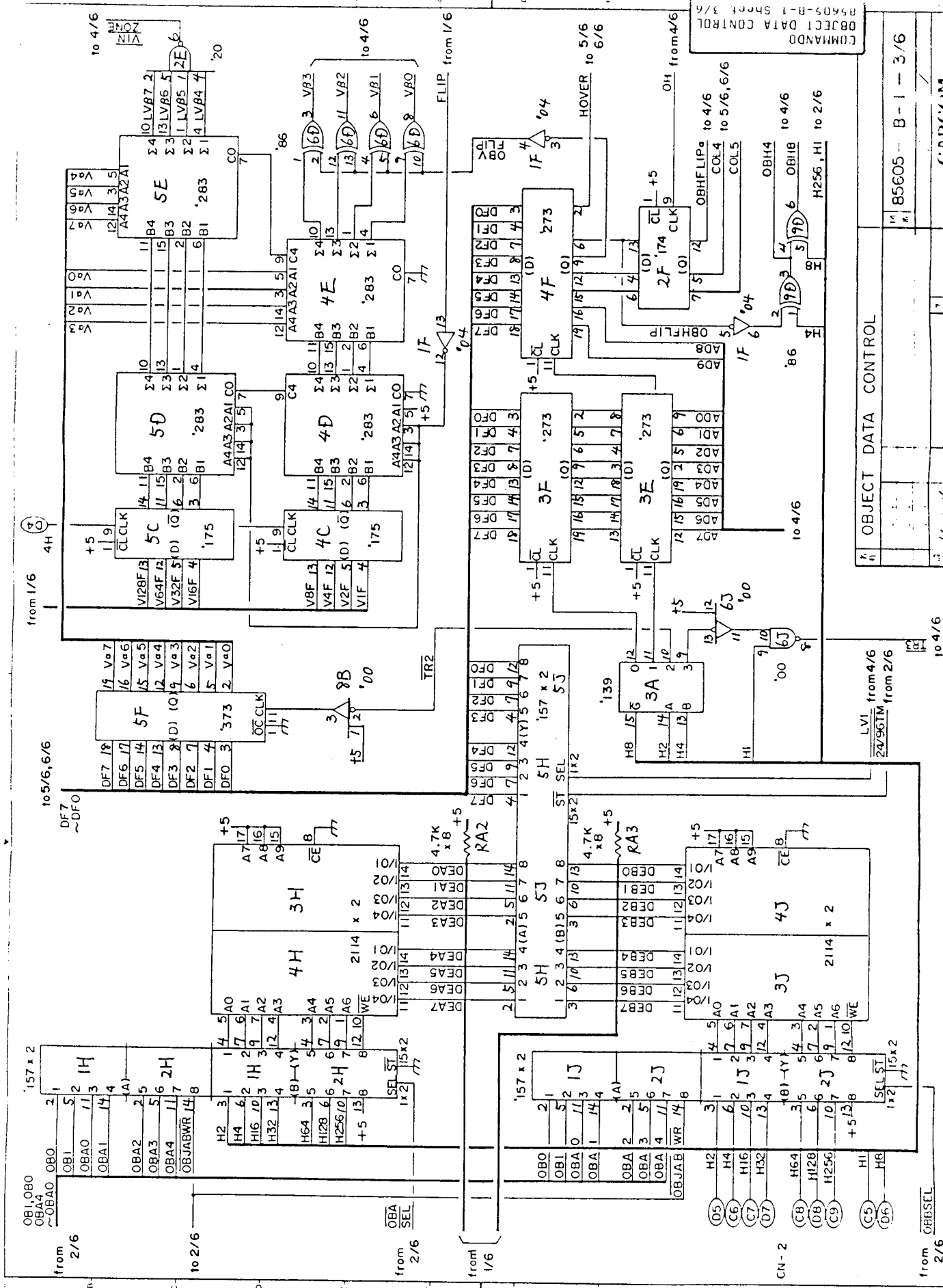
96 OBJECTS DATA RAM	
14	85605-B-1-1/6

OBB-080 to 1/6  
OBI,080 to 3/6



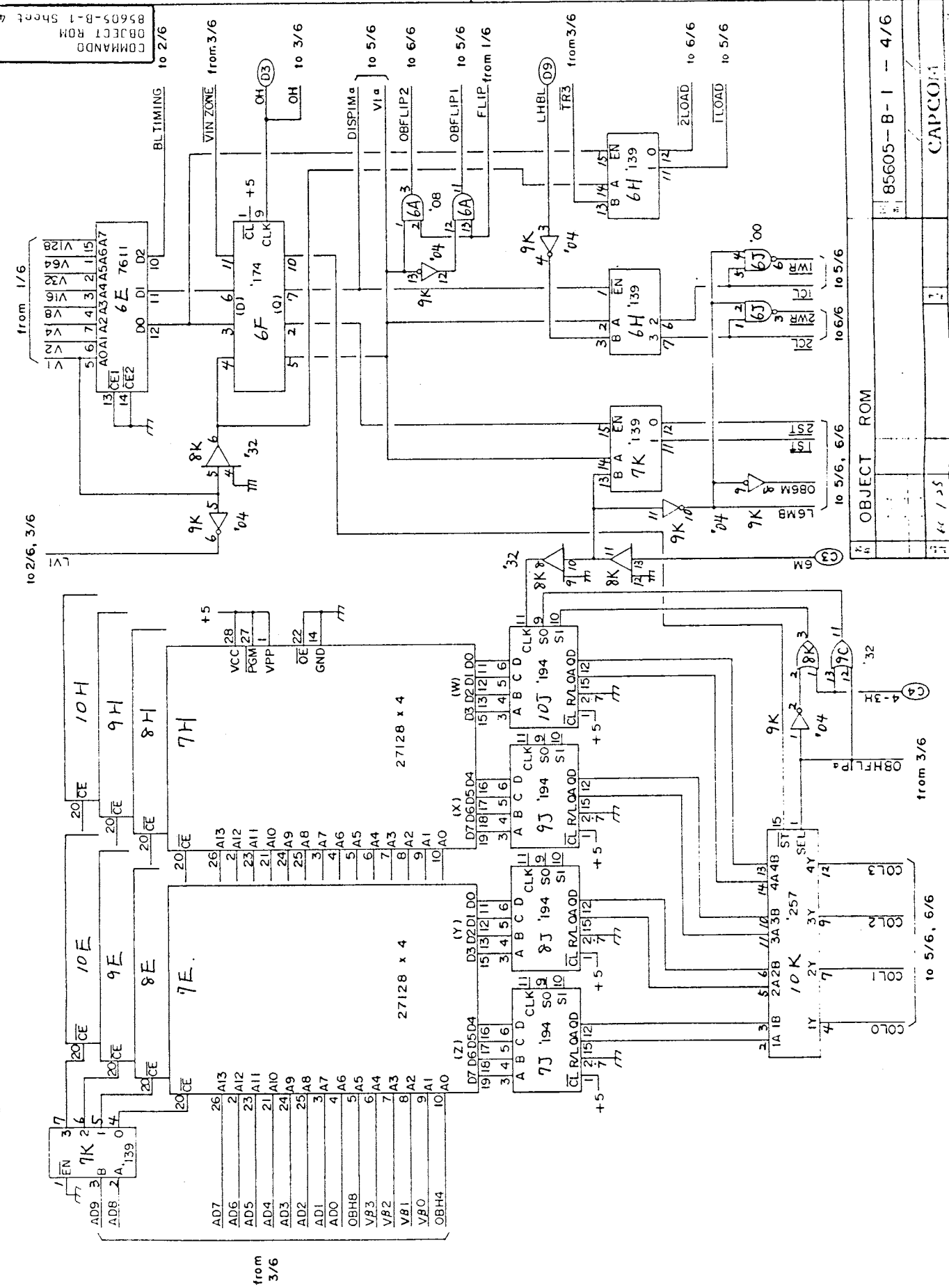
14	24/96 OBJECT CONTROLLER	1
15	85605-B-1 - 2/6	
16		
17		
18		
19		
20		
21		
22		
23		
24		
25		
26		
27		
28		
29		
30		
31		
32		
33		
34		
35		
36		
37		
38		
39		
40		
41		
42		
43		
44		
45		
46		
47		
48		
49		
50		
51		
52		
53		
54		
55		
56		
57		
58		
59		
60		
61		
62		
63		
64		
65		
66		
67		
68		
69		
70		
71		
72		
73		
74		
75		
76		
77		
78		
79		
80		
81		
82		
83		
84		
85		
86		
87		
88		
89		
90		
91		
92		
93		
94		
95		
96		
97		
98		
99		
100		

to 1/6, 3/6  
to 3/6

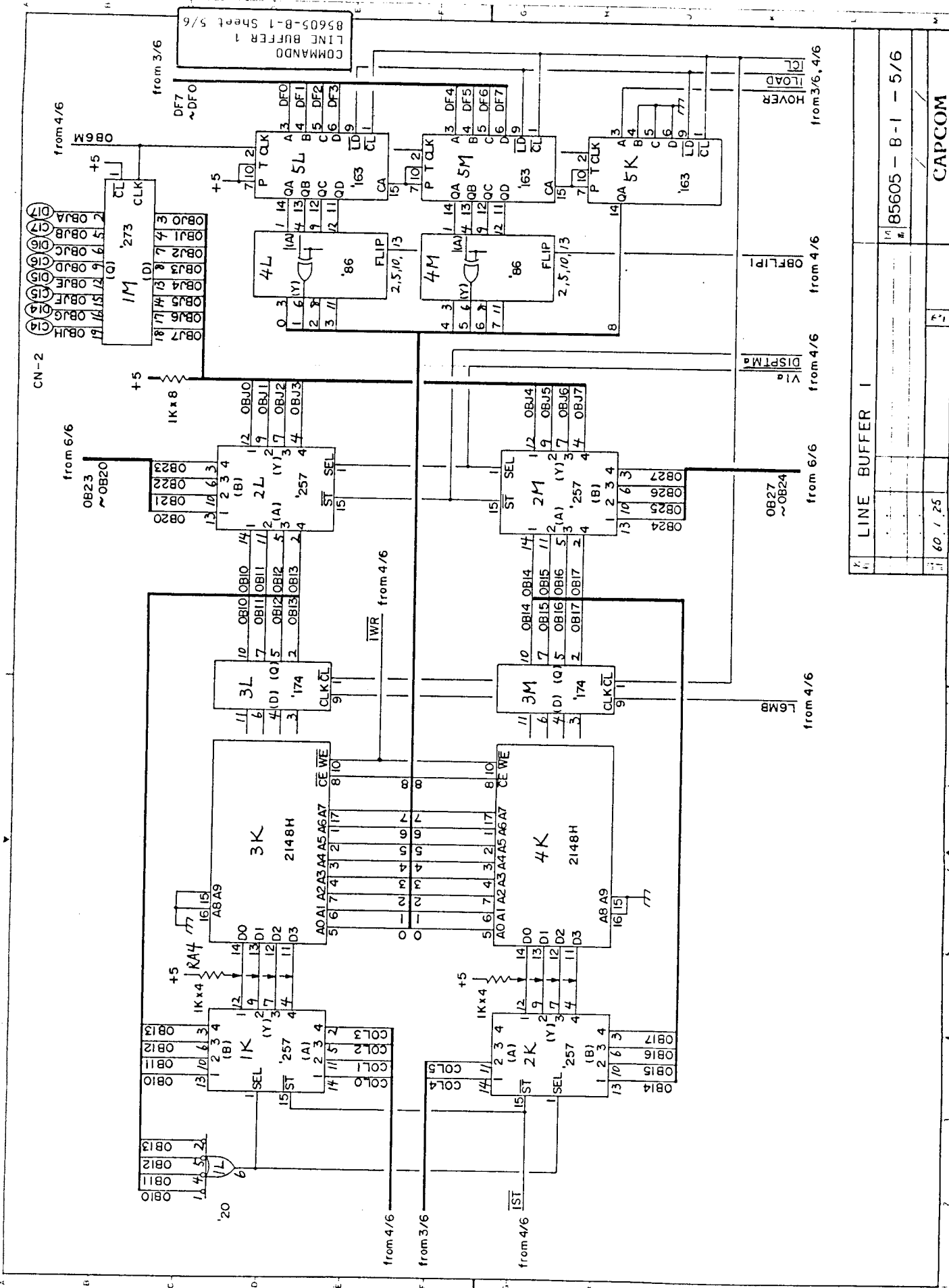


COMMANDO  
 OBJECT DATA CONTROL  
 85605-B-1 Sheet 3/6

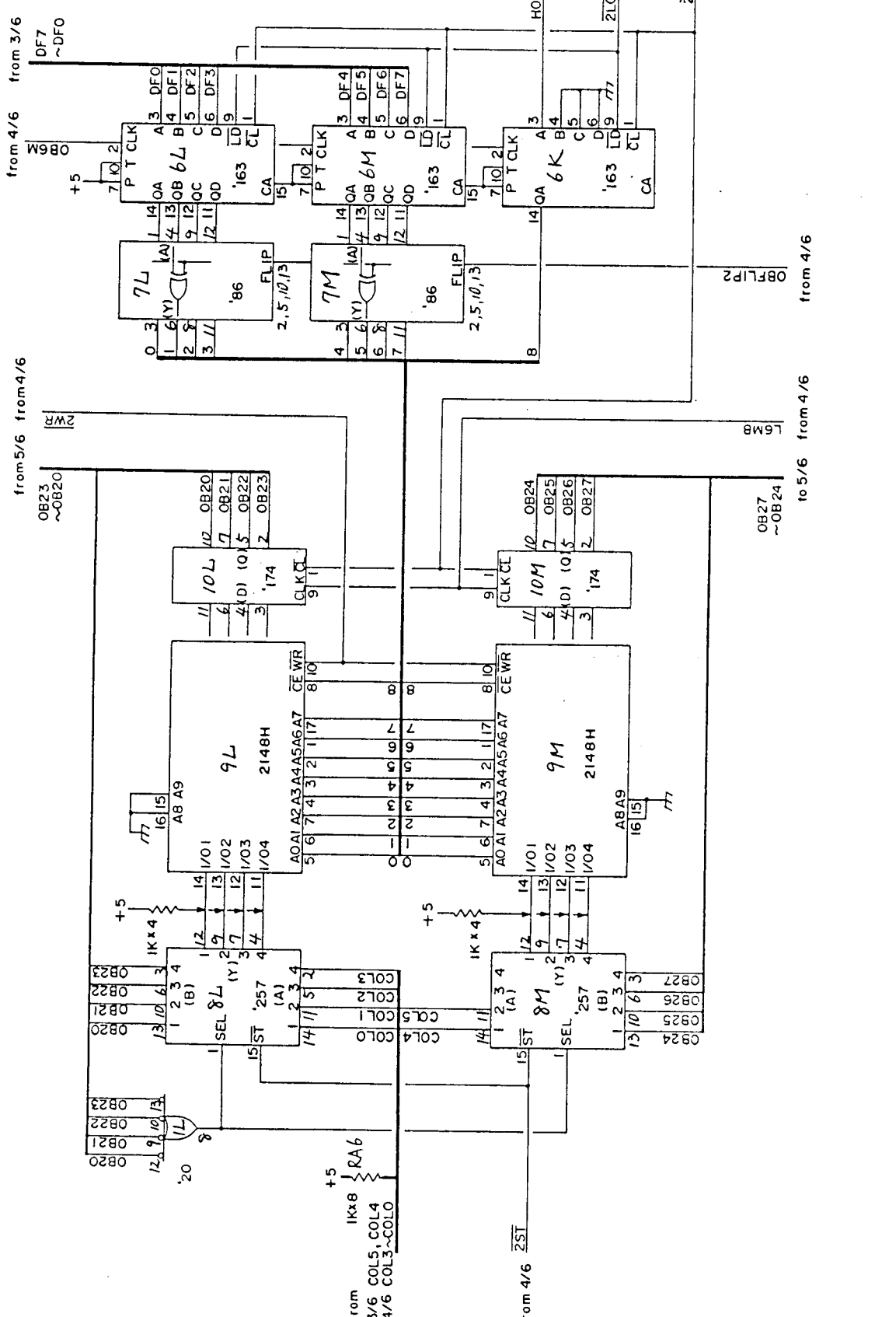
7	OBJECT DATA CONTROL
8	
9	
10	
11	85605-B-1 - 3/6
12	
13	
14	
15	



85605-B-1	4/6
OBJECT ROM	
85605-B-1	4/6
CAPCOM	



LINE BUFFER 1	
14	85605 - B-1 - 5/6
60 / 25	CAPCOM



7	LINE BUFFER 2	
8		
9		
10		
11		
12		
13		
14		85605-B-1 - 6/6
15		COMMANDO

## LIMITED WARRANTY

Data East USA, Inc. ("Seller"); warrants only to the initial purchaser of its products that the items listed below are free from defects in material and workmanship under normal use and service for the warranty periods specified:

- A. Printed circuit boards (90) days
- B. Television monitor (30) days

No other parts of Seller's products are warranted.

Warranty periods are effective from the initial date of shipment from Seller to its authorized distributors.

Seller's sole liability shall be, at its option, to repair or replace products which are returned to Seller during the warranty periods specified, provided:

- A. Seller is notified promptly upon discovery by buyer that stated products are defective.
- B. Such products are properly packaged and then returned, prepaid to Seller's plant.

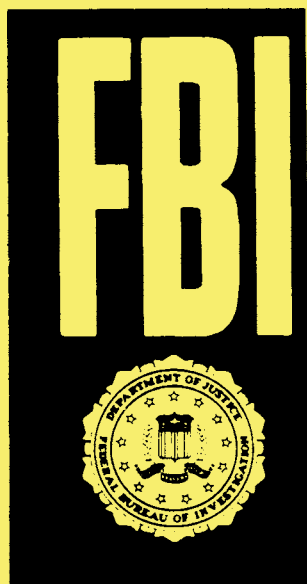
This warranty does not apply to any parts damaged during shipping or handling, or due to improper installation or usage, or alteration. In no event shall Seller be liable for any anticipated profits, loss of profits, loss of use, incidental or consequential damages or any other losses incurred by the customer in connection with the purchase of a Data East USA, Inc. product.

### **(WARRANTY DISCLAIMER)**

EXCEPT AS SPECIFICALLY PROVIDED IN A WRITTEN CONTRACT BETWEEN SELLER AND PURCHASER, THERE ARE NO OTHER WARRANTIES, EXPRESSED OR IMPLIED, INCLUDING ANY IMPLIED WARRANTIES OF MERCHANTABILITY OR FITNESS FOR A PARTICULAR PURPOSE.

DATE: 5-01-85





## **WARNING**

**Federal law provides severe civil and criminal penalties for the unauthorized reproduction, distribution, or exhibition of copyrighted audiovisual works and video games.**

**The Federal Bureau of Investigation investigates allegations of criminal copyright infringement.**

