

S T A R C O M

OPERATION MANUAL



Just the beginning--- Dragon's Lair is the first in a long line of interchangeable Starcom packages. Each package fits into the original Starcom unit, making it substantially less expensive to install completely new games in your arcade. With the games sealed in sturdy laser discs, it is possible to save each package and build up an arcade library to be used on your original unit.

Table of Contents

WARRANTY	1
SERVICE PROCEDURES	2
GAME SETUP	
Warnings	3
RF Interference	3
Examine Game	3
Location of Controls	4
GAME OPERATION	
Power Requirements	5
Installing Laser Disc	5
Unlocking Spindle Mechanism	5
Turning on Game	5
Game Start	6
Player Controls	6
Game Play	6
Bookkeeping	6
GAME ADJUSTMENTS	7
SYSTEM HARDWARE OPERATION	9
DIAGNOSTICS	10
ROUTINE MAINTENANCE	13
PARTS LIST	14
APPENDIX A (SCHEMATICS, BOARD LAYOUTS)	17

WARRANTY

Starcom, Inc. and Cinematronics Incorporated (manufacturer) warrant the goods to be free from defects in material and workmanship under normal use and service for a period of ninety (90) days from the date of shipment from factory. Starcom and Cinematronics make no representation or warranties concerning the goods whether express or implied by operation of law or otherwise, including those of merchantability or fitness for any particular purpose, or with respect of patent infringement, except as may be specifically made herein. Starcom and Cinematronics limit their warranty obligations herein to the repair or replacement of such parts which have been returned to Cinematronics' plant at purchaser's expense and which examination shall disclose to Cinematronics' satisfaction to have been so defective and to the shipment of such repaired or replacement parts to the purchaser F.O.B. the shipping point.

This warranty does not apply to any Starcom or Cinematronics product which has been altered or repaired by unauthorized personnel or service facilities or any products which have had the unit serial number altered or removed.

Upon acceptance of the goods, the purchaser agrees to assume all liability for damages and/or bodily injury by the purchaser or any other person and to hold Starcom Inc. and Cinematronics Incorporated harmless from liability or claims arising from the use of the goods by any person. Purchaser further agrees to indemnify Starcom Inc. and Cinematronics Incorporated from any liability, claim, cause of action or litigation resulting from the use or misuse of the goods by any person.

Parts returned for warranty service must be packaged so that no damage is incurred during the shipment. Full documentation and instructions must accompany returned parts. Parts must be shipped prepaid to:

Cinematronics, Inc.
1841 Friendship Drive
El Cajon, CA 92020

CUSTOMER SERVICE PROCEDURES
FOR AUTHORIZED CINEMATRONIC'S DISTRIBUTORS

It is the desire of Cinematronics, Inc. to provide efficient and courteous service should the need arise. We have a fully staffed Customer Service Department and encourage you to call our toll-free number: (800)-854-2666 for technical assistance between the hours of 8:00 a.m. and 5:00 p.m, California time, Monday through Friday.

In order to provide the very best service possible, the following procedure for ordering or returning parts must be followed:

1. All equipment ordered from Customer Service, whether in or out of warranty, must be placed with a Distributor's purchase order, either by mail or verbally by telephone.
2. Advance replacement items may be obtained only during the term of the warranty and when such items are available, using the same procedure as when ordering parts. When ordering a PCB, please include with your order the game serial number and the number of the PCB you wish replaced.
3. All items received as advanced replacements will, after a period of thirty (30) days, become the property of the Distributor, with applicable charges applied in the event Customer Service has not received the defective item against which the advance replacement was made.
4. The distributor must call this facility for an RMA number prior to returning any item. Please be prepared to provide us with the game serial number and the PCB number when requesting an RMA.
5. In all situations covered above, and in all other situations, the warranty offered by Cinematronics, Inc. is applicable and should be fully understood.
6. Parts returned for service must be packaged so that no damage is incurred during the shipment. Cartons without a prominently displayed RMA number will not be accepted. Full documentation including game serial number, PCB number on outside of package, and reason for return must accompany parts. Ship prepaid to:

Cinematronics, Inc.
Customer Service Department
1841 Friendship Drive
El Cajon, CA 92020

(800)-854-2666

(619)-562-7000

1.0 GAME SET UP

1.1 Warnings

For safety and reliability, Cinematronics does not recommend or authorize any substitute parts or modifications of Cinematronics equipment.

Use of non-Cinematronics parts and modifications of game circuitry may adversely affect game play, or may cause injury and void warranty.

Substitute parts, modifications and non-Cinematronics game "conversions" may void FCC compliance.

This game is protected by Federal copyright, trademark, and patent laws. Therefore, non-Cinematronics game "conversions" or game modules may be illegal under Federal law.

1.2 RF Interference

Cable harness placements and ground strap routing on this game have been designed to keep RF radiation and conduction within levels accepted by FCC regulations. To maintain these levels, reposition harnesses and reconnect ground straps to their original placements if they should be disconnected during maintenance.

1.3 Examine Game

Inspect the outside of the shipping carton and/or game cabinet for shipping damage.

Unlock and set aside back panel. Check circuitry:

Are connectors securely attached? Reconnect any loose connectors. The connectors are keyed - do not force them together. Also, take care not to reverse edge connectors as this can damage PC boards.

Make sure socketed chips are firmly seated.

Unwrap power cord supplied with game. Plug the cord into the receptacle found on the rear of the cabinet. DO NOT PLUG THE GAME INTO THE WALL OUTLET AT THIS TIME.

Observe major subassemblies, such as; monitor, control panel, transformer board, and power supply. Make sure these are securely mounted.

Open the drawer by removing the wing nuts and screws on the sides of the cabinet where the laser disc player is housed. Make sure player is securely mounted.

1.4 Location of Controls

The ON-OFF switch is mounted on the rear of the cabinet next to the AC input receptacle.

The COIN COUNTER is mounted on the operator convenience panel located behind the coin door. This counter is software controlled and counts credits rather than coins. If one game play is 50 cents, then the coin counter would increment for every 2 coins.

The VOLUME controls are also located on the operator convenience panel. There are two volume controls - one for the left channel and one for the right channel (stereo sound).

The CPU board RESET switch is located on the CPU board at the left side of the board where the amplifier heat sinks are located. The CPU board is mounted on the right side of the cabinet when viewed from the rear.

The Laser-disc player COVER-OPEN switch is located on the left-most side of the front panel switches on the player. Power must be on for this switch to operate. Also, the laser disc must be in the reject position before the cover will open.

2.0 GAME OPERATION

2.1 Power Requirements

CAUTION: This game must be plugged into a properly grounded outlet to prevent shock hazard and to insure proper game operation. Do not use a cheater plug or cut off ground pin to defeat the ground through the line cord. Unless specified otherwise, your game was shipped to operate at 115 VAC, 60 Hz.

2.2 Installing Laser Disc

Power must be turned on momentarily to install the laser disc. After turning power on, push the cover-open switch on the front panel of the laser disc player. If the disc player is in the process of rejecting the disc, you must wait until it has finished before the cover will open. Turn the power off when the cover has been opened. Set the laser disc on to the spindle of the laser disc player with the label side up.

Lock the spindle in place by pressing the lock buttons on the spindle. DO NOT try to operate player without locking the disc on the spindle. Doing so will result in damage to the system. When the disc is locked in place, close the cover on the laser disc player.

2.3 Unlocking Spindle Mechanism

When shipping or moving the Starcom game system the spindle mechanism must be locked in place. Failure to do so can result in alignment problems with the laser disc player. When your game is in the desired location, the mechanism must be unlocked to allow the laser disc player to operate. Insert a small flathead screwdriver into the hole just below the cover on the left side of the front of the laser disc player. The locking screw may be accessed from a hole in the front of the cabinet. Turn the screw counterclockwise until it releases. The mechanism is now free. ALWAYS SECURE THE LOCKING SCREW PRIOR TO SHIPPING OR MOVING THE GAME.

2.4 Turning on Game

After installing disc and unlocking spindle mechanism, the power may be turned on. Replace back door and plug in the game. Turn the game on by pulling out on the power switch. A tone should be heard when the game is switched on. There is a 15 second delay at this point. This insures that the disc is in the reject position. At the end of 15 seconds, a second tone will be heard. The laser disc is now playing. After another 15 seconds a third tone will be heard and the game is ready to play. If any of the above events are not observed, unplug the game and go back to the first part of this section of the manual and start over.

2.5 Game start

Insert coins: a sound is produced indicating the acceptance of the coins. Credits are shown on the LED display above the CRT monitor. With 2 or more credits displayed, pressing the 2 player button initiates a 2 player game. A 1-player game may be played when one or more credits are indicated.

2.6 Player controls

Joystick: An eight-position joystick is used to control the movement of the player's character, Dirk. Moving the joystick will send the character in the direction the joystick is pointed. In some instances, moving Dirk to an object will cause him to do something with that object.

Sword Key: Pressing the Sword key will cause Dirk to draw and use his sword.

2.7 Game Play

In Dragon's Lair, Dirk the Daring enters the enchanted castle of an evil wizard to rescue the captured princess. As Dirk fights his way through the monsters and traps the wizard sends against him, he must find the secret passages which lead to the caverns below the castle. There, in a deep dungeon, the princess is held captive in a magic cage guarded by a gigantic dragon. Dirk must ultimately slay the dragon to free the princess.

Dragon's Lair is a unique game in more than just appearance. The variety of adventures offered in it far surpass that of any other game. There is very little repetition in the game play.

Because the monsters and traps to be overcome are constantly changing, it is not possible to list the range of scores awarded for each one. Generally, as Dirk progresses deeper into the castle he will encounter more difficult obstacles and accordingly be awarded more points for overcoming them. There are several elements of game play which are unique to Dragon's Lair. The game is designed to draw the player into the action and make him believe he is personally battling against the wizard's attacks. The graphics and sound used in the game are unsurpassed elsewhere and are two of the key elements which prompt this player involvement.

3.0 GAME ADJUSTMENTS

When the game is turned off, the DIP switches located on the main CPU board may be used to select different options available as outlined in the following tables. Changing the switch selection while the game is turned on has no effect. Factory recommended settings are shown in the table. The game is shipped with these settings.

DIP SWITCH (SW1) (used as test port in playtest mode)

Switch # -----	rec. ----	Function -----
B0	on	Every 8th pass on demo has sound (off) The sound track in the demo mode is only played every eighth time.
B1	on	No sound at all (off = no sound)
B2	on	off = unlimited life
B3	off	off = keyboard feedback enabled
B4	on	unused
B5	on	unused
B6	on	unused
B7	on	reserved for testing

DIP SWITCH (SW2)

Switch #	rec.	Function
-----	----	-----
A0	on	Credits/coin selection
A1	on	A0 A1
		on on = 2 coins/credit
		off on = 3 coins/credit
		on off = 4 coins/credit
A2	on	Difficulty level one/two (one = on)
A3	on	Playtest on/off (off = playtest) This is used only by the programmers
A4	on	off = 2 credits always
A5	on	Three or five lives (3 = on)
A6	on	off = Pay as you go **
A7	on	Diagnostic on/off (off = diagnostics)

** At the completion of the first third of the game and the second third of the game, each, the player must insert an additional two coins to continue play. Pay as you go can only be used with the 2 coins per credit setting.

4.0 SYSTEM HARDWARE OPERATION

The Starcom system is controlled by a Z80A microprocessor. It runs at a 4Mhz clock rate. It can be reset manually by the reset switch located on the main CPU board.

The system memory consists of RAM and EPROM. The RAM is on the main CPU board. The EPROM is on the piggybacked board. The Z80A is buffered from the rest of the system by uni- and bi-directional buffers.

Sounds are generated by a General Instruments sound chip AY-3-8910. Its output is mixed with the laser disc players audio out and then fed into two LM383 audio amps.

The keyboard inputs are buffered by two 74LS244's. These inputs are filtered to help prevent noise.

The security device must be installed for the system to work properly. Tampering with this device can be fatal to the system.

5.0 DIAGNOSTICS

The diagnostics is a series of tests performed on the systems hardware to verify that the hardware is fully functional. The diagnostic routines are initiated by having dip switch 1 (position 8) set in the "on" position when the power is turned on. The diagnostic software is resident in the Z80A game program EPROM.

5.1 RAM Test

Each RAM cell is loaded with 55H and then read to insure that all cells retained the data. The RAM is then reloaded with 0AAH. This inverts every bit in every cell. The RAM is then read again to verify data retention. If all cells are operating properly, then the diagnostics will proceed to the EPROM check. If a bad cell is found, the system will display "RAM test failed" on the monitor. The system will stay there until it receives a reset.

5.2 EPROM Test

There are 5 8K-byte EPROMS within the system. The diagnostics calculates each EPROMs checksum and then compares it to the prestored correct checksum values. If all checksums verify the diagnostics continues with the security device test. If a EPROM fails the monitor will display "ROM Test Failed" and will show the address location of the bad EPROM. The address locations are given in the following table:

Checksum #:	address location	EPROM address
Checksum 1:	0FFF6H	0000H-1FFFH
Checksum 2:	0FFF8H	2000H-3FFFH
Checksum 3:	0FFFAH	4000H-5FFFH
Checksum 4:	0FFFCH	6000H-7FFFH
Checksum 5:	0FFFEH	8000H-9FFFH

5.3 Security Device Test

After the Security device goes thru its check, it will continuously put out a 33msec clock to the Z80 interrupt. The diagnostics will put itself in a 50msec delay loop and then check at the end of that loop to see if the security device has interrupted the Z80. If not, the system will display "68705 Test Failed". If the interrupt is being generated, the system will go to the sound test.

5.4 Sound Test

The sound test outputs a tone scale to each of the three channels of the sound chip. The user is instructed to check volume control. The sound chip gives no feedback to the Z80 so the user is given audio feedback. If no sound is heard, the user should check the AY-3-8910 sound chip. The diagnostics goes to the display test next.

5.5 Display Test

The seven segment displays are cycled thru all the digits available. It first starts with 0's and steps thru to all 9's. Again no feedback is available to the Z80 so the user must check to see that the number combinations are okay. The program next goes to the keyboard check.

5.6 Keyboard Test

The keyboard test lasts for 15 seconds. During this 15 seconds the user can push any key on the keyboard and the corresponding digit will flash a zero on the seven segment display. The monitor will show which digit corresponds to each key as shown in the diagram below. After 15 seconds the monitor will explain the colorbar sequence.

Player 1 Score

```
! ! ! ! ! ! !
! !ACTION! RIGHT! LEFT ! DOWN ! UP !
! ! ! ! ! ! !
-----
```

Player 2 Score

```
! ! ! ! ! ! !
! P2 ! P1 ! COIN1! COIN2! ! !
! ! ! ! ! ! !
-----
```

5.7 Colorbars

The diagnostics will now display colorbars on the monitor. These colorbars will stay on the monitor until the diagnostics dip switch is turned off. When the diagnostics switch is turned off the system will start the game. These colorbars are used to adjust the video monitor.

ROUTINE MAINTENANCE AND SERVICE

Because of the solid state electronic circuitry, this game should require very little maintenance and only occasional adjustments. However, it is necessary to take measures to ensure this.

The video monitor has been properly adjusted before shipping. Occasionally minor adjustments are necessary. See monitor specifications and schematics for technical information. Adjustment controls for the monitor are located at the rear of the monitor.

The Power Supply has also been adjusted before shipping. The computer board in this game operates most efficiently and reliably when the power supply is set so that the voltage on the board is 5.0 volts. To check this, place a meter across 5 volts and ground at the edge connector. If necessary, adjust the screwdriver control on the power supply so the meter reads between 4.9 and 5.1 volts.

This game should only be serviced by a qualified technician.

For service information, contact:

Cinematronics, Inc.
1841 Friendship Drive
El Cajon, CA 92020
(619) 562-7000

DRAGON'S LAIR

PARTS LIST

01-10505-01	LAMP, FLUORESCENT	1
02-12092-01	VIDEO DISC, DRAGON'S LAIR	1
20-10862-01	BRKT, COIN BOX TONG, SC	1
20-10864-01	HANDLE, COIN BOX, SC	1
20-10871-01	COIN BOX, SC	1
20-10872-01	COVER, COIN BOX, SC	1
20-11382-01	GRILL, SPEAKER, SQ	2
20-11420-01	RAIL, CRT MNTG, CKTL, UNIVERSAL	2
20-12066-01	RETAINER, UPPER MARQUEE C.C.	1
20-12067-01	RETAINER, LOWER MARQUEE C.C.	1
21-10831-01	BEZEL, CRT, FORMED, SC	1
21-12138-01	PLEXI, REAR, SCORE, DRAGON'S LAIR	1
21-12139-01	PLEXI, MONITOR, DRAGON'S LAIR	1
26-10588-01	FIXTURE, LAMP, FLUORESCENT	1
32-12100-01	A CABINET, UPRIGHT, DL	1
38-11701-01	ASSY, POWER PLATE, STARCOM	1
20-11606-01	PLATE, MNTG, P/S, TRANS	1
25-10551-01	BOLT, CARRIAGE, 3/16"X1/2" BLACK O	8
25-11607-01	STAND-OFF, NYLON, LOCKING, DLCBS-14	4
25-11612-01	WASHER, LOCK 8	8
25-11613-01	NUT, 8-32	8
38-11723-01	ASSY, TRANS ISOL RAVENSW	1
43-11704-01	TRANS, ISOL RAVENSWOOD 105P9	1
87-11688-01	ASSY, HARN TRANS/MON JG	1
87-11767-01	ASSY, HARN, TRANS GND	1
87-11768-01	ASSY, HARN TRANS/PS	1
82-10842-30	P/S, DATA POWER	1
38-11863-01	MONITOR, 19" COLOR, HORIZONTAL, NTS	1
38-12065-01	ASSY, CNTL PANEL, DRAGON'S LAIR	1
20-11972-01	CNTRL PANEL, DRAGON'S LAIR	1
22-12066-01	DECAL, LEXAN, DRAGON'S LAIR CNTL	1
25-10551-01	BOLT, CARRIAGE, 3/16"X1/2" BLACK O	4
25-10558-01	NUT, HEX, 10-24	4
25-10559-01	NUT, PAL 5/8"	4
25-10572-01	WASHER, LOCK, 10 INT	4
37-11192-01	BUTTON, SHORT, WHITE, COCKTAIL	2
37-11192-02	BUTTON, SHORT, RED	2
37-11373-01	SWITCH, W/PLASTIC MNTG BRKT, SHOR	4
38-11396-01	ASSY, JOYSTICK, 8 POS, LEAFSWITCH	1
87-11679-11	ASSY, HARNESS, CNTL PANEL, STARCOM	1
87-11679-01P	ASSY, HARN CTL PNL JG	1
38-12071-01	ASSY, MARQUEE, DRAGON'S LAIR	1
21-12069-01	PLEXI, MARQUEE	1
22-12098-01	DECAL, LEXAN, MARQUEE, DRAGON'S LAI	1
38-12080-01	ASSY, OPERATOR CONVINIENCE PANEL,	1
20-12078-01	BRKT, OPERATOR CONVINIENCE PNL	1
25-10557-01	NUT, HEX, 6-32	4
25-10559-01	NUT, PAL 5/8"	1

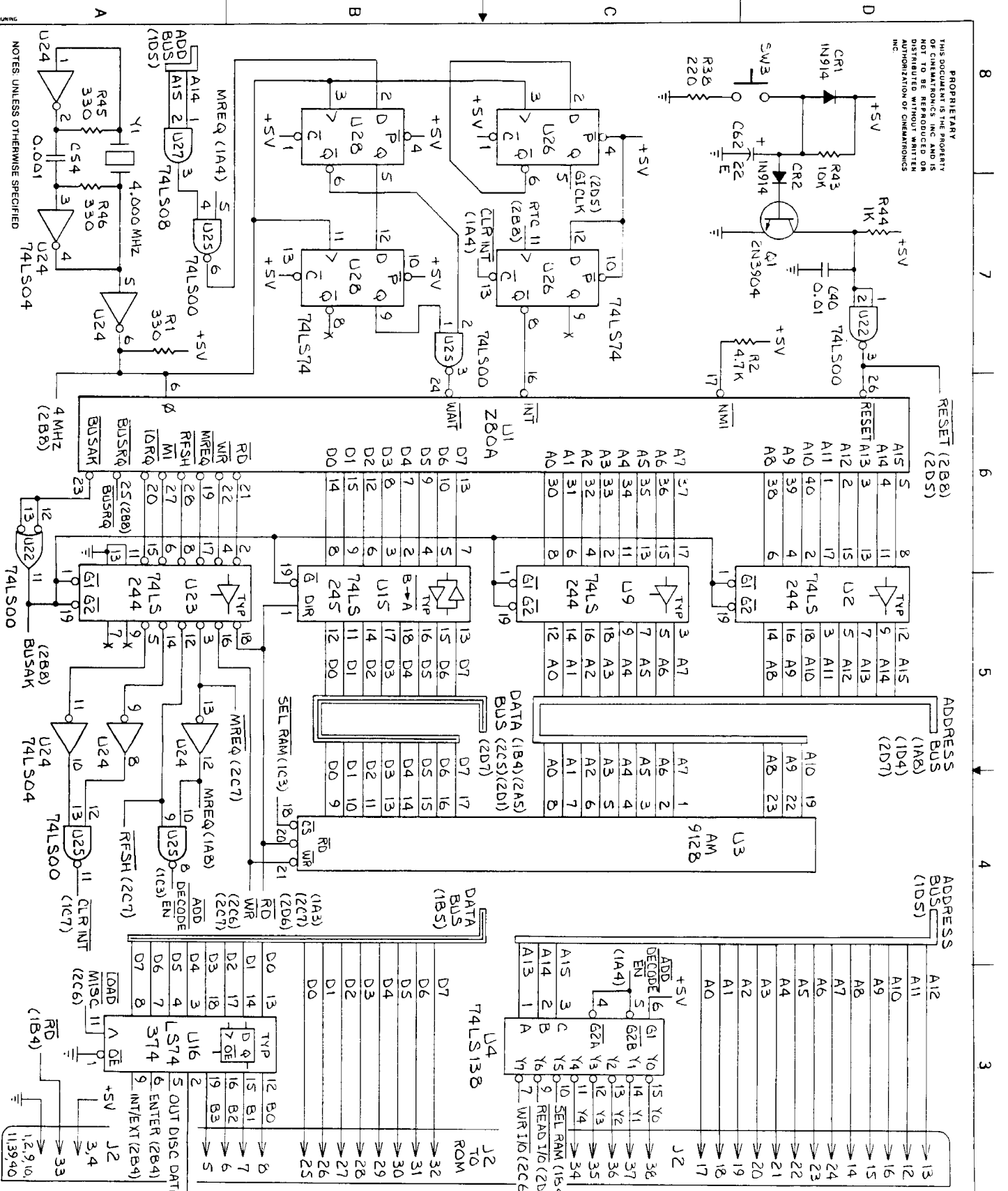
DRAGON'S LAIR
PARTS LIST

25-10563-01	SCREW, MACHINE, 6-32X1/2" PAN. HD. P	4
25-10571-01	WASHER, LOCK, 6 INT	4
25-10582-01	TUBING, SHRINK, 3/16" ROLL STR, BL	0
26-10589-01	KNOB, VOLUME	2
29-11754-01	METER, COIN 6 VOLT (KEISU NP-06)	1
51-10722-01	POT, W.LK. WASHER/NUT, 10K OHM	2
53-11591-01	RES, 68 OHM 5W 5% C.	1
65-10812-01	DIODE, 1N4003, ENCL	1
87-12084-01	ASSY, HARNESS OP. CONV. PNL. C.C.	1
38-12081-01	ASSY, AC INPUT PANEL, STARCOM	1
20-12093-01	PLATE, AC INPUT PANEL, STARCOM	1
37-10893-01	SWITCH, INTERLOCK	1
63-12131-01	FILTER, AC LINE, GCM3N1P (GENISCO)	1
38-12087-01	ASSY, COIN DOOR 68000	1
20-10896-11	COIN DOOR W/LAMPS CKTL SC	1
22-10899-01	DECAL, "CINEMATRONICS"	1
25-10579-01	TY RAP, W/O EYELET	1
25-10905-01	CLAMP, CABLE 3/16", PLASTIC	4
87-12085-01	ASSY, HARNESS COIN DOOR 68000	1
38-12088-01	ASSY, CIRCUIT PANEL, STARCOM	1
20-12092-01	PLATE, CIRCUIT MOUNTING STARCOM	1
81-12035-01	PCA, MAIN BOARD, STARCOM	1
20-10520-01	HEAT SINK, THERMALLOY 6071B	2
20-10521-01	HEAT SINK, THERMALLOY 6072B	2
20-10537-01	HEATSINK, THERMALLOY 6060	1
36-10621-01	SOCKET, 24 PIN, I.C., DIP SOLDER TA	1
36-11547-01	SOCKET, DIP 28 CIR	1
36-11784-01	SOCKET, 40 PIN DIPTAIL	1
37-12050-01	SWITCH, DIP 8 POS. GRAYHILL (8142)	2
41-10652-01	CONN, 16 CIR, M HEADER	1
41-11895-01	CONN, 40 CIR, M HEADER	1
41-12113-01	CONN, 36 PIN BODY MOLEX 03-06-236	1
41-12114-01	PINS, SOLDER, MOLEX 02-06-8103	36
44-10673-01	IC, 7815-C	1
44-10677-01	IC, 74LS00	2
44-10679-01	IC, 74LS04	1
44-10680-01	IC, 74LS08	1
44-10697-01	IC, 74LS393	2
44-11028-01	IC, 74LS74	2
44-11029-01	IC, 74LS138	3
44-11486-01	IC, 74LS244	9
44-11487-01	IC, 74LS245	2
44-11492-01	IC, 74LS374	2
44-11833-01	IC, 280A (4 MHZ)	1
44-11890-01	IC, 4016 (200NS)	1
44-12053-01	IC, AY-3-8910 (GI)	1
44-12055-01	IC, LM383 (NS)	2
44-12056-01	IC, MC68705 (MOT)	1
53-10731-01	RES, 330 OHM 1/4W 5% C.	3
53-10734-01	RES, 1K OHM 1/4W 5% C.	17
53-10743-01	RES, 4.7K OHM 1/4W 5% C.	1
53-10746-01	RES, 10K OHM 1/4W 5% C.	1
53-10771-01	RES, 360 OHM 1W 5% C.	1

DRAGON'S LAIR
PARTS LIST

53-10920-01	RES,5.1K OHM 1/4W 5% C.	1
53-11044-01	RES,510 OHM 1/4W 5% C.	1
53-11684-01	RES, 220 OHM 1/4 W 5% C	19
53-12115-01	RES,2.2 OHM 1/4W 5% C.	2
63-10782-01	CAP,.01MF 50V DISC 20%	1
63-10784-01	CAP,.1MF 50V DISC 20%	33
63-10940-01	CAP,.001MF 50V DISC 20%	1
63-11042-01	CAP, 470MF 35V ELEC	8
63-11127-01	CAP, 1.0MF 50V ELEC RAD	15
63-11128-01	CAP, 22MF 50V ELEC RAD	2
63-11370-01	CAP, 10MF 50V ELEC	3
63-11393-01	CAP,330PF 50V SILVER MICA	1
63-12130-01	CAP,0.2MF 50V CERAMIC DISC, 20%	4
65-10812-01	DIODE,1N4003,ENCPL	2
65-10993-01	DIODE,1N914	2
66-10816-01	TRANSISTOR,NPN 2N3904	1
66-10817-01	TRANSISTOR,PNP 2N3906	1
66-10823-01	TRANSISTOR,NPN 2N5878	1
69-12064-01	CRYSTAL,4.00 MHZ	1
80-12035-01	PCB,MAIN LOGIC,STARCOM	1
81-12056-01	PCA,ROM,STARCOM	1
02-12091-01	EPROM,2764,250 NS,U1,DRAGON'S LA	1
02-12091-02	EPROM,2764,250 NS,U2,DRAGON'S LA	1
02-12091-03	EPROM,2764,250 NS,U3,DRAGON'S LA	1
02-12091-04	EPROM,2764,250 NS,U4,DRAGON'S LA	1
02-12091-05	EPROM,2764,250 NS,U5,DRAGON'S LA	1
36-11547-01	SOCKET,DIP 28CIR	5
41-11895-01	CONN,40 CIR,M HEADER	1
63-10784-01	CAP,.1MF 50V DISC 20%	5
63-11042-01	CAP, 470MF 35V ELEC	1
80-12056-01	PCB,ROM,STARCOM	1
87-12093-01	ASSY,R.CBL.40CIR 3"	1
38-12128-01	A ASSY,DISC PLAYER IN DRAWER	1
20-10868-12	BRACKET,DRAWER,STARCOM	2
20-10868-11	BRKT, SHORT VOL. CTL/COUNTER	2
25-12130-01	SHOCK ISOLATOR,7821-2A-T3 (BARRY	4
38-12127-01	LASER DISC PLAYER,PR7820	1
71-10834-01	SPEAKER,	2
81-12036-01	PCA,DISPLAY,STARCOM	1
41-10652-01	CONN, 16 CIR, M HEADER	1
44-12054-01	IC,ICM7218D (INTERSIL)	2
63-10784-01	CAP,.1MF 50V DISC 20%	2
63-11042-01	CAP, 470MF 35V ELEC	1
65-11533-01	LED,MAN8940 (MONSANTO)	16
80-1		

PROPRIETARY
 THIS DOCUMENT IS THE PROPERTY
 OF CINEMA TRONICS, INC AND IS
 NOT TO BE REPRODUCED OR
 TRANSMITTED IN ANY FORM OR
 BY ANY MEANS WITHOUT THE
 AUTHORIZATION OF CINEMA TRONICS
 INC.



PROPRIETARY
 THIS DOCUMENT IS THE PROPERTY
 OF CINEMATRONICS INC. AND IS
 NOT TO BE REPRODUCED OR
 DISTRIBUTED WITHOUT THE
 AUTHORIZATION OF CINEMATRONICS
 INC.

ADDRESS BUS
 (1D5)

DATA BUS
 (1B5)

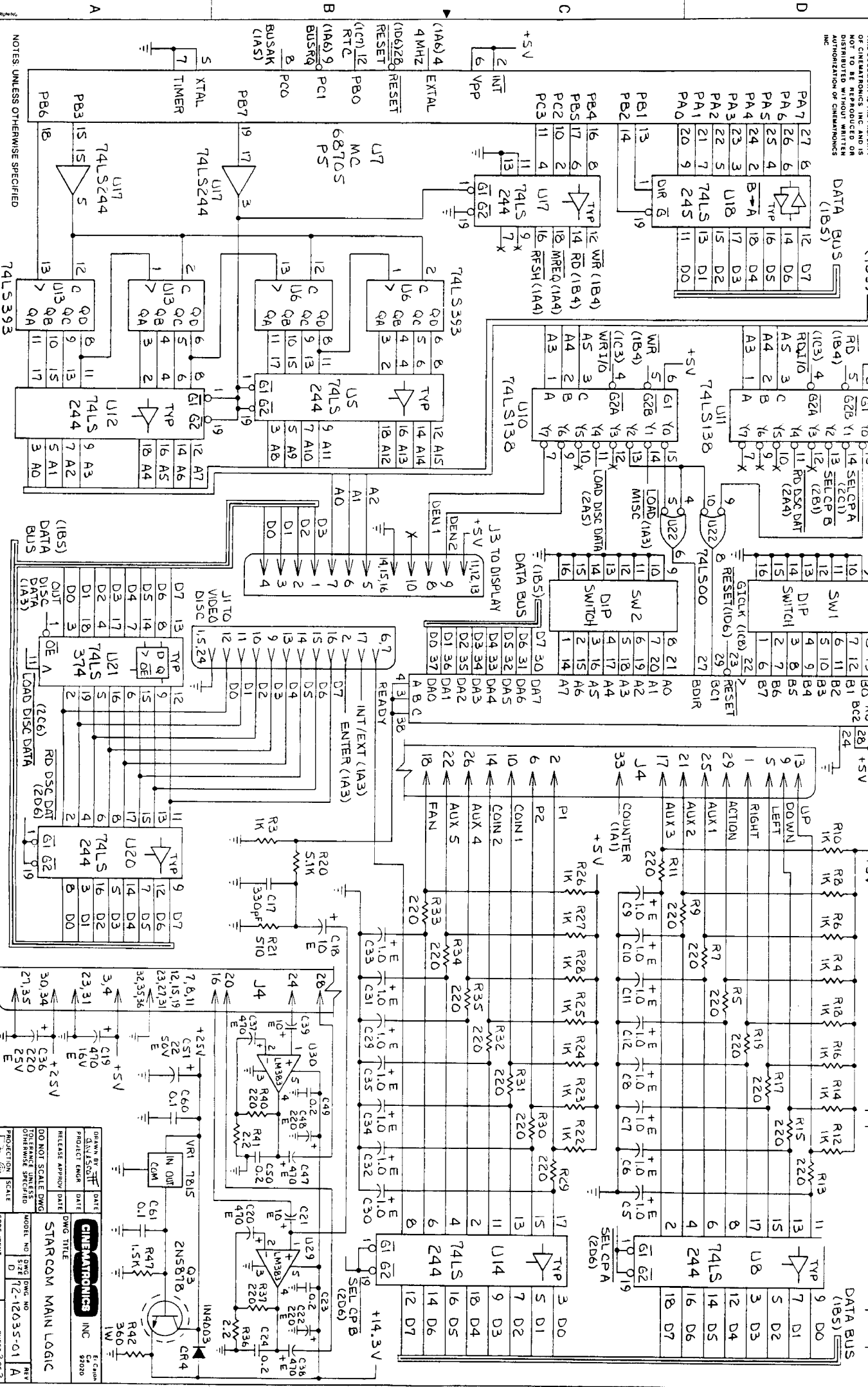
DATA BUS
 (1B5)

DATA BUS
 (1B5)

DATA BUS
 (1B5)

DATA BUS
 (1B5)

DATA BUS
 (1B5)



NOTES: UNLESS OTHERWISE SPECIFIED

REV	DESCRIPTION	DATE	APPROVED
1			

CINEMATRONICS
 INC. 9000
 STARCOM MAIN LOGIC

DATE: 12-12-80
 PROJECT: STARCOM
 DRAWN BY: [Name]
 CHECKED BY: [Name]
 RELEASE APPROVED: [Name]
 DO NOT SCALE DIMS
 TOLERANCE UNLESS OTHERWISE SPECIFIED
 PROJECTION: 1st ANGLE
 SCALE: 1:1
 SHEET 2 OF 2

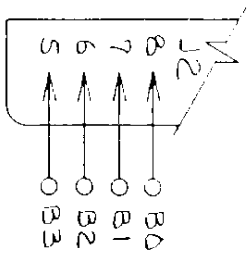
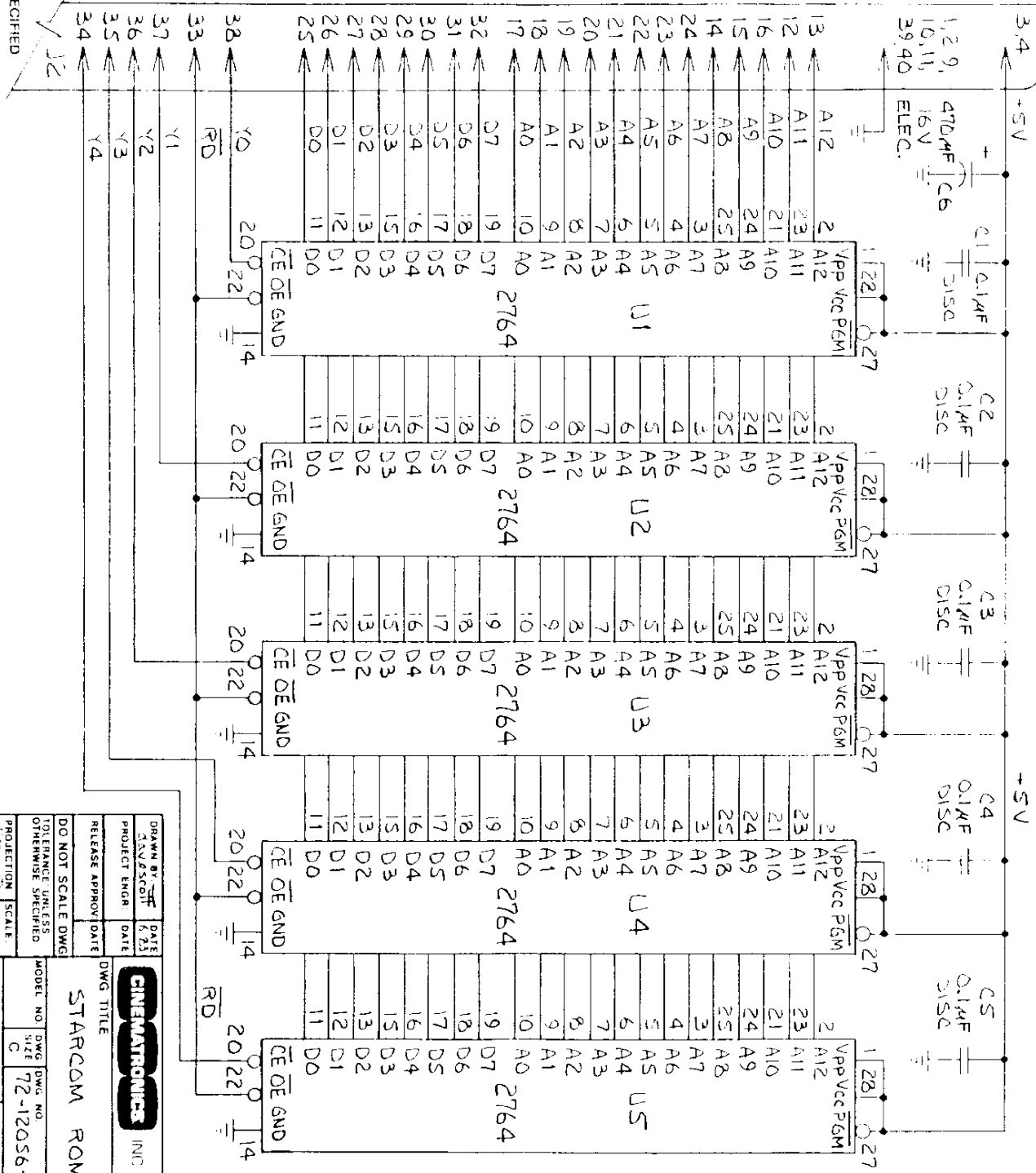
4

3

2

1

PROPRIETARY
 THIS DOCUMENT IS THE PROPERTY
 OF CINEMATRONICS, INC. AND IS
 NOT TO BE REPRODUCED OR
 DISTRIBUTED WITHOUT WRITTEN
 AUTHORIZATION OF CINEMATRONICS
 INC.



NOTES: UNLESS OTHERWISE SPECIFIED

REV	DESCRIPTION	DATE	APPROVED
1			

DRAWN BY S.V. SCOTT	DATE 6/73	CINEMATRONICS INC.	ET 6100
PROJECT ENGR	DATE		92020
RELEASE APPROV	DATE	STARCOM ROM	
DO NOT SCALE DWG		DWG TITLE	
TOLERANCE UNLESS OTHERWISE SPECIFIED		MODEL NO	DWG NO
PROJECTION SCALE		C	72-12056-01
CODE IDENT	SCALE	SHEET 1 OF 1	REV A

4

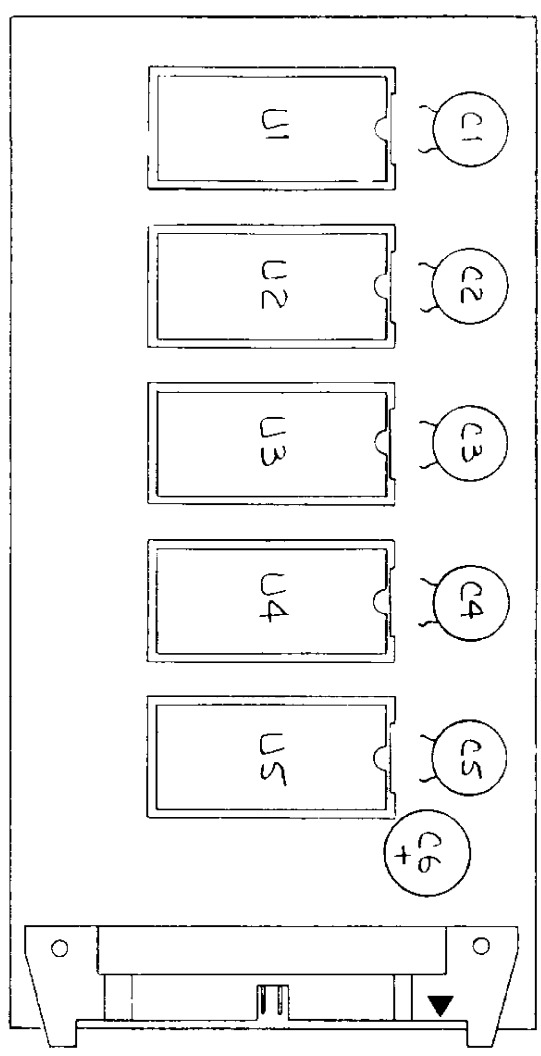
3

2

1

REVISIONS			APPROVED
REV	DESCRIPTION	DATE	

PROPRIETARY
 THIS DOCUMENT IS THE PROPERTY
 OF CINEMATRONICS, INC. AND IS
 NOT TO BE REPRODUCED OR
 DISTRIBUTED WITHOUT WRITTEN
 AUTHORIZATION OF CINEMATRONICS
 INC.



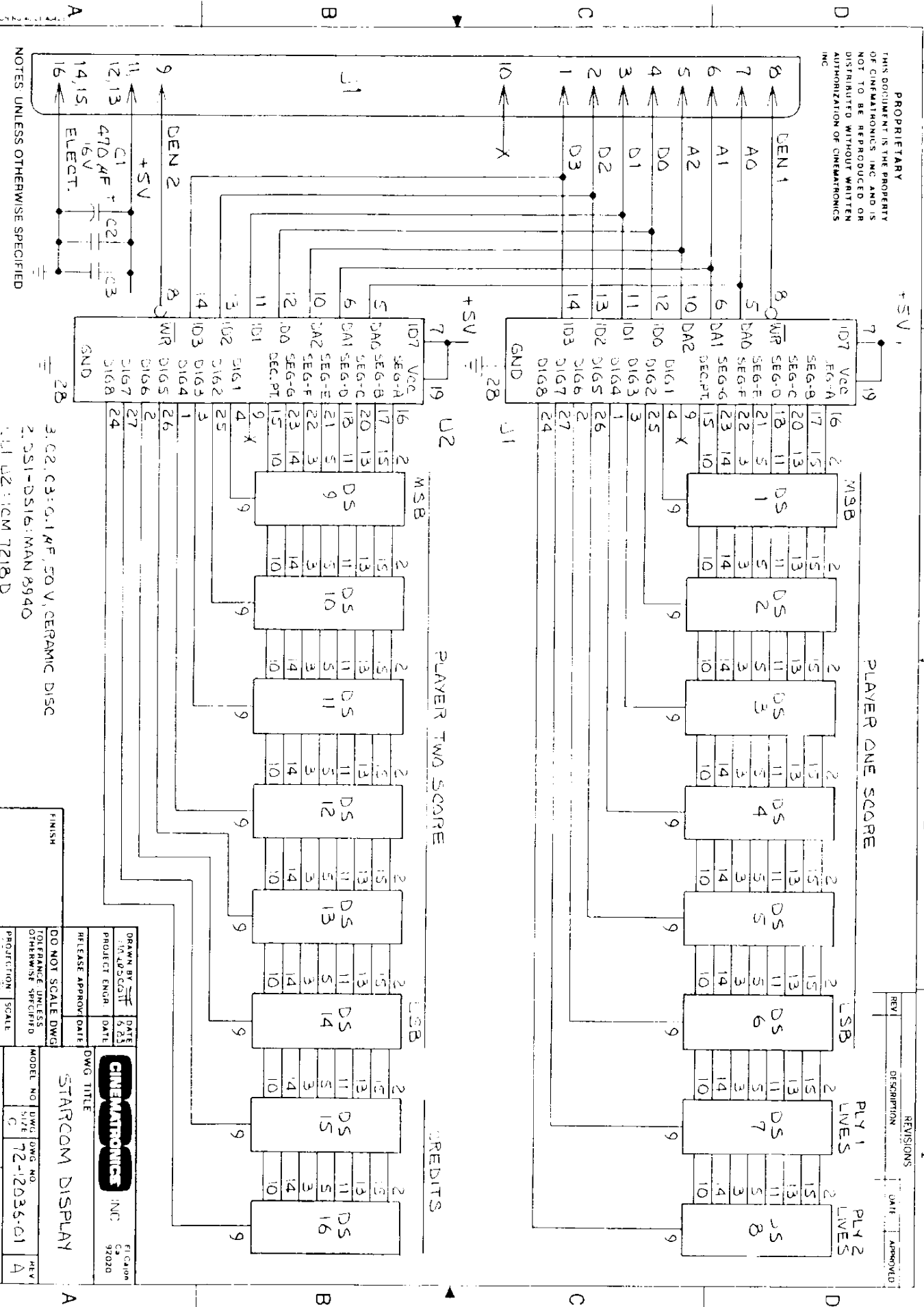
J2
 SYMBEX 32351-1-40

3. DRAGON'S LAIR (81-12056-01): U1-U5, 2764 WITH SOCKET
 2. C6: 470 MF, 16 V MINIMUM ELECTROLYTIC
 1. C1-C5: 0.1 MF, 50V DISC
- NOTES UNLESS OTHERWISE SPECIFIED

MATERIAL		FINISH	
DRAWN BY R. SCOTT	DATE 5-73	PROJECT ENGR	DATE
RELEASE APPROV	DATE	DO NOT SCALE DWG	SCALE
CINEMATRONICS INC		STARCOM ROM	
MODEL NO	DWG NO	MODEL NO	DWG NO
0	81-12056-XX	0	81-12056-XX
REV	REV	CODE	CODE
A	A	10H1	10H1
E1 G10H CA 92020		SHEET 1 OF 1	

BRN 40 4021 40423
 A
 B
 C
 D
 4
 3
 2
 1
 4
 3
 2
 1

PROPRIETARY
 THIS DOCUMENT IS THE PROPERTY
 OF CINEMATRONICS, INC. AND IS
 NOT TO BE REPRODUCED OR
 DISTRIBUTED WITHOUT WRITTEN
 AUTHORIZATION OF CINEMATRONICS
 INC.



REVISIONS			
REV	DESCRIPTION	DATE	APPROVED
1			

DRAWN BY: [Signature]		DATE: 8/83
PROJECT ENGR: [Signature]		DATE:
RELEASE APPROV DATE:		
CINEMATRONICS INC. ETCALON CA 94020		
DWG TITLE: STARCOM DISPLAY		
DO NOT SCALE DWG	MODEL NO: [Blank]	DWG/DWG NO: [Blank]
TOLERANCE UNLESS OTHERWISE SPECIFIED	SIZE: C	72-12035-01
PRODUCTION SCALE:	CODE IDENT:	SHEET 1 OF 1

3. C2, C3: 0.1µF, 50V, CERAMIC DISC
 2. C31-DS16: MAN 8940
 1. U1, U2: 1CM 7218 D

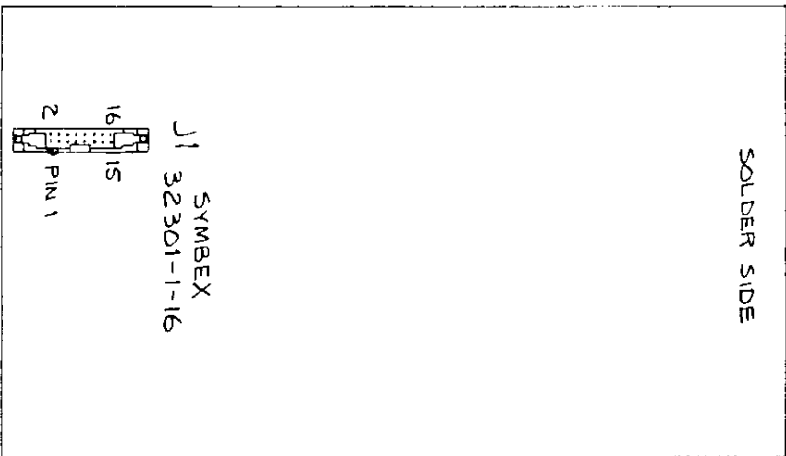
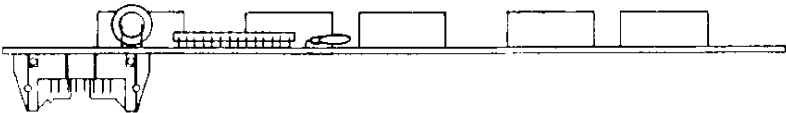
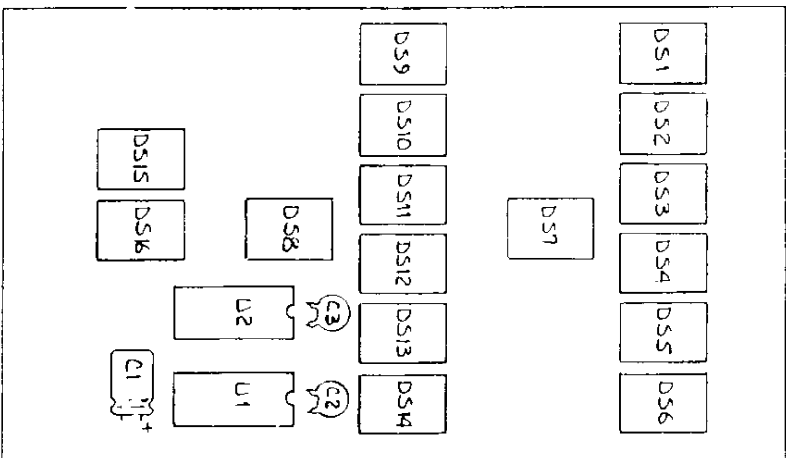
4

3

2

1

PROPRIETARY
 THIS DOCUMENT IS THE PROPERTY
 OF CINEMATRONICS, INC. AND IS
 NOT TO BE REPRODUCED OR
 DISTRIBUTED WITHOUT WRITTEN
 AUTHORIZATION OF CINEMATRONICS,
 INC.



REVISIONS		
REV	DESCRIPTION	DATE

6. CONNECTOR INSTALLED ON SOLDER SIDE OF P.C.B.
 5. ALL CAPACITORS TO BE LAYED DOWN
 4. C2, C3 : 0.1 μ F 50 V DISC 20%
 3. C1 : 470 μ F ELECTROLYTIC 16 V MINIMUM
 2. U1, U2 : ICM 7218 D
 1. DS1- DS16 : L.E.D. MAN8940
- NOTES: UNLESS OTHERWISE SPECIFIED

MATERIAL		DRAWN BY		DATE	
FINISH		PROJECT ENGR		DATE	
DO NOT SCALE DWG		RELEASE APPROV		DATE	
TOLERANCE UNLESS OTHERWISE SPECIFIED		PROJECTION		SCALE	
PROJECTION		SCALE		FULL	
MODEL NO		DWG NO		REV	
C		81-12036-01		A	
CODE IDENT		SHEET 1 OF 1		REV	

31 MAY 1983
CINEMATRONICS INC
 STARCOM DISPLAY
 E1 CL/lon 92020

4

3

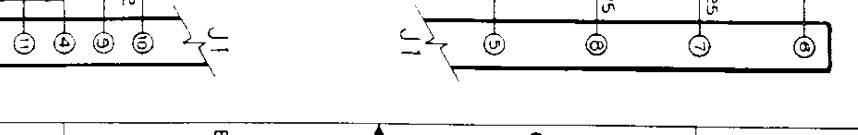
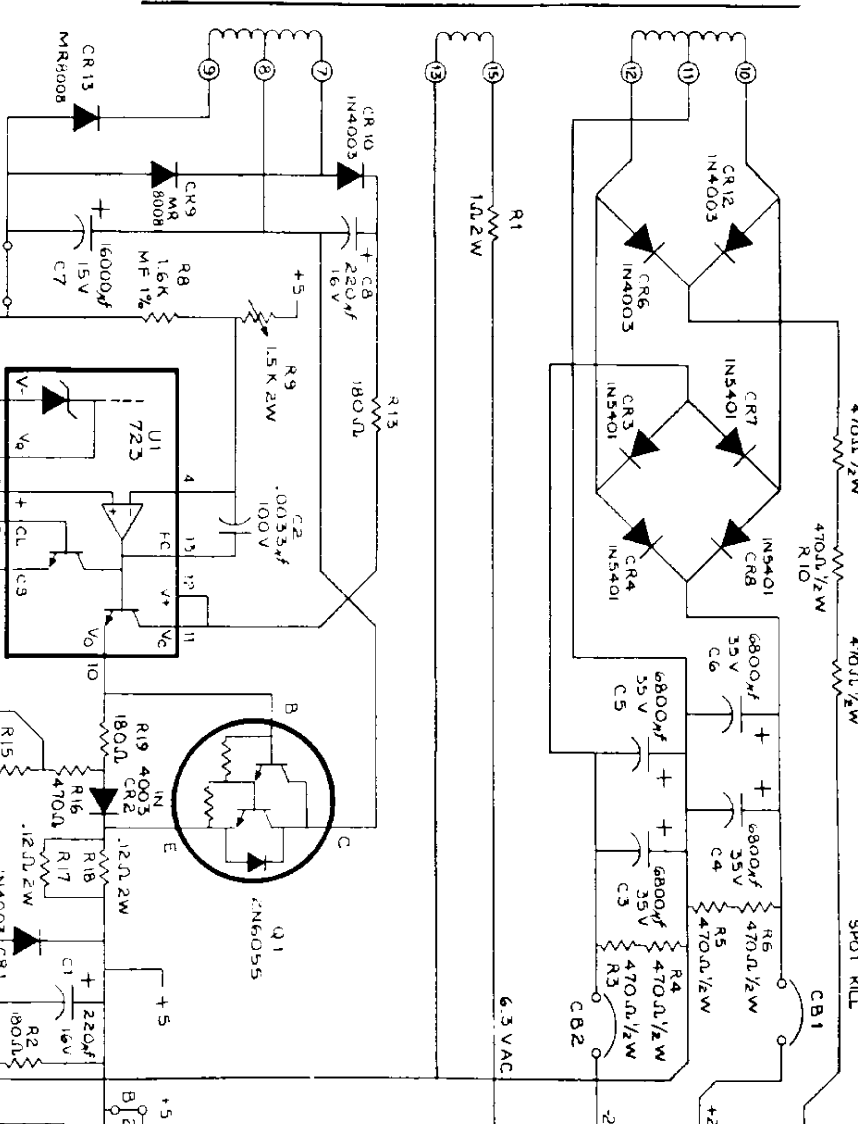
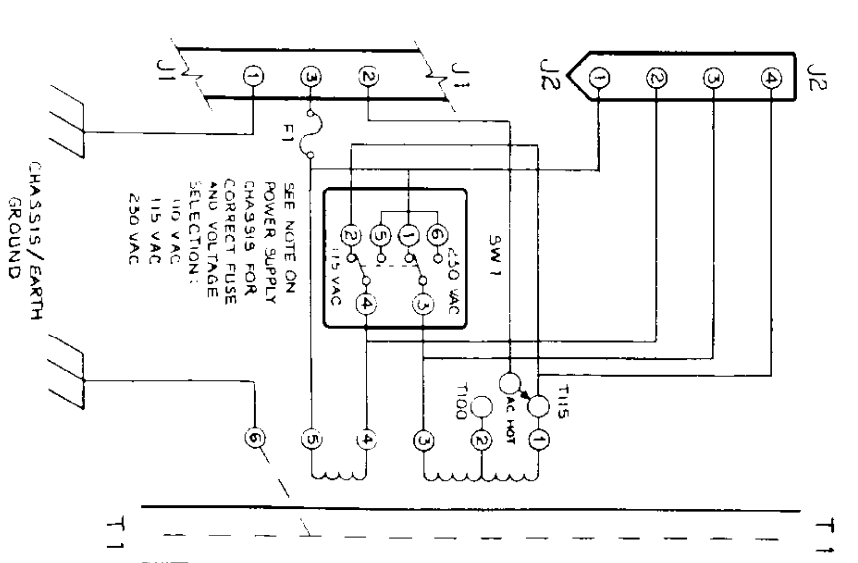
2

1

A
 BRUNING 40-21 40423

A
 B
 C
 D

THIS DOCUMENT IS THE PROPERTY OF CHRYSLER CREDIT CORPORATION. IT IS NOT TO BE REPRODUCED OR TRANSMITTED IN ANY FORM OR BY ANY MEANS WITHOUT THE WRITTEN AUTHORIZATION OF CHRYSLER CREDIT CORPORATION.



1. SCHEMATIC SET FOR 115 VAC OPERATION
 NOTES UNLESS OTHERWISE SPECIFIED

DATE	11/1/68
DESIGNED BY	W.C.
PRODUCT	CONDOR POWER SUP
RELEASE	AMONG DATE
GO NOT SCALE DIMS	
CONTINUING SHEETS	1
PRODUCTION	1
SCALE	
CODE	
SHEET	1

MODEL NO.	115-100-2-22
REV.	A
DATE	11/1/68
BY	W.C.
CHECKED	
APPROVED	

