



NTSC U/C

PlayStation



# TINY TOON

## Adventures

### THE GREAT BEANSTALK™





**WARNING: READ BEFORE USING YOUR PLAYSTATION® GAME CONSOLE.**

A very small percentage of individuals may experience epileptic seizures when exposed to certain light patterns or flashing lights. Exposure to certain patterns or backgrounds on a television screen or while playing video games, including games played on the PlayStation game console, may induce an epileptic seizure in these individuals. Certain conditions may induce previously undetected epileptic symptoms even in persons who have no history of prior seizures or epilepsy. If you, or anyone in your family, has an epileptic condition, consult your physician prior to playing. If you experience any of the following symptoms while playing a video game – dizziness, altered vision, eye or muscle twitches, loss of awareness, disorientation, any involuntary movement, or convulsions – IMMEDIATELY discontinue use and consult your physician before resuming play.

**WARNING TO OWNERS OF PROJECTION TELEVISIONS:**

Do not connect your PlayStation game console to a projection TV without first consulting the user manual for your projection TV, unless it is of the LCD type. Otherwise, it may permanently damage your TV screen.

**HANDLING YOUR PLAYSTATION DISC:**

- This compact disc is intended for use only with the PlayStation game console.
- Do not bend it, crush it or submerge it in liquids
- Do not leave it in direct sunlight or near a radiator or other source of heat.
- Be sure to take an occasional rest break during extended play.
- Keep this compact disc clean. Always hold the disc by the edges and keep it in its protective case when not in use. Clean the disc with a lint-free, soft, dry cloth, wiping in straight lines from center to outer edge. Never use solvents or abrasive cleaners.

**CUSTOMER SERVICE:**

Customer Service representatives are available between the hours of 9:00 AM and 6:00 PM (Eastern Time) Monday through Friday at 1-877-NEWKIDCO (1-877-639-5432).

You may also write us at the following address:

Customer Service  
NewKidCo LLC  
168 Middlesex Turnpike  
Burlington, MA 01803



# TABLE OF CONTENTS

Introduction	2
Setting Up	3
Saving Games	6
Basic Controls	8
Object Of The Game	8
Player Status	11
Difficulty Levels	11
Game Play	11
Game Worlds	13
PLUCKY DUCK's Profile	14
BUSTER BUNNY's Profile	16
Credits	18
Warranty	IBC



# THE GREAT BEANSTALK™

2

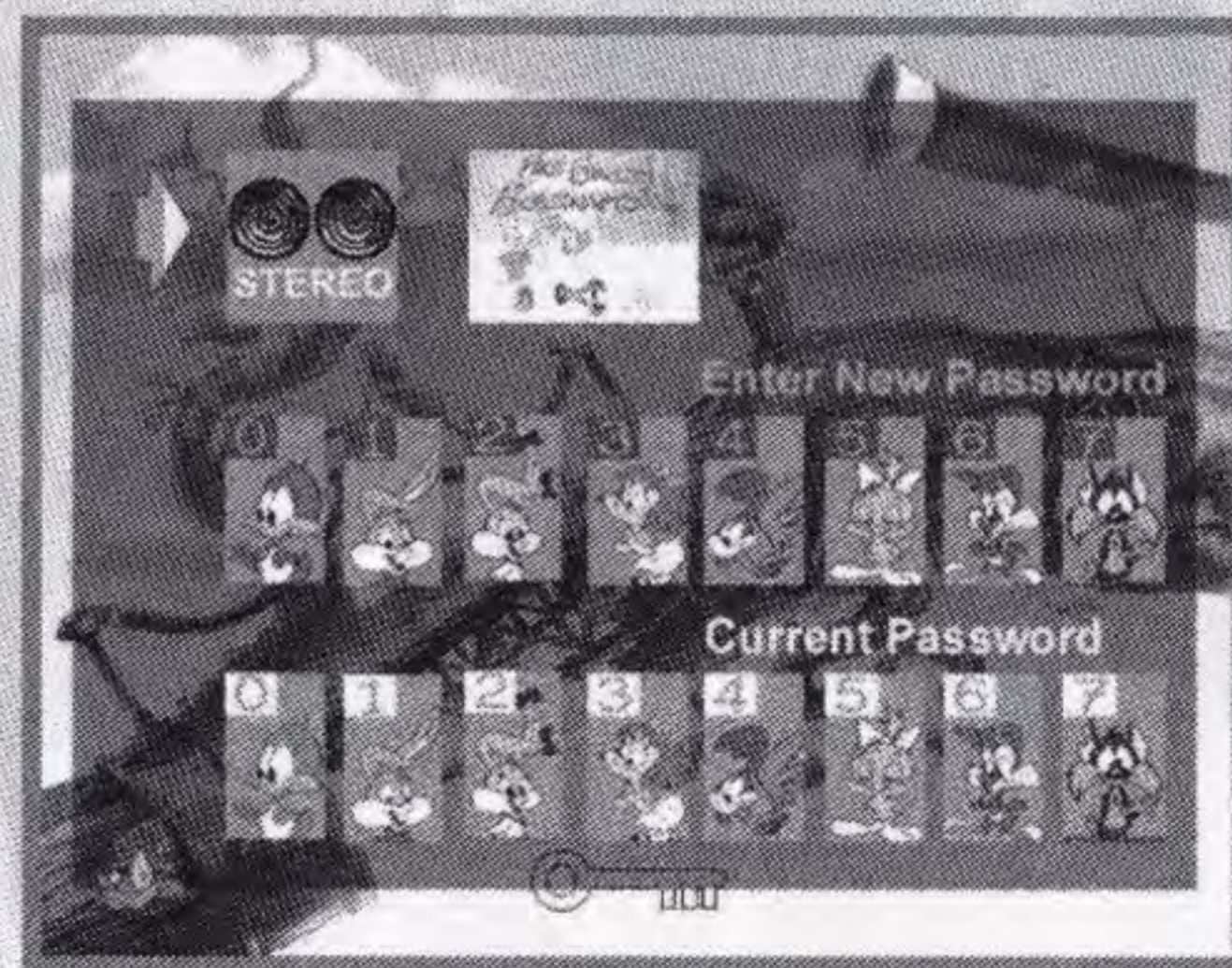
You are about to get whisked away on the wackiest adventure that ever tickled your funny bone! This totally out-of-control fairy tale plops you smack in the middle of fast-paced action. You and your pals BUSTER BUNNY and PLUCKY DUCK, face non-stop fun as you seek out treasures that have been snatched by the Giant. BABS BUNNY's kooky clues help you navigate the zany twists and turns.

This irreverent, interactive odyssey will have the whole family in stitches with the original character voices from the "Steven Spielberg presents TINY TOON ADVENTURES" hit television series. If you think you could stalk a more entertaining game, you don't know beans!



## SETTING UP

The Great Beanstalk™ installs like most PlayStation® games. For detailed directions, set up your PlayStaion® game console according to the instructions in the PlayStation game console's instruction manual. Make sure the power is **OFF** before inserting or removing the game disc. Press the OPEN button and the disc cover will open. Insert The Great Beanstalk disc and close the disc cover gently with your hand. Insert game controllers and turn on the PlayStation game console by pressing the POWER button. Once powered on, the game automatically begins. The game starts with the PlayStation logo, Warner Bros. Interactive Entertainment logo and legal, the NewKidCo logo, TerraGlyph Interactive LP logo, and the title of game. After these logos, you will begin your adventure up The Great Beanstalk. You can join PLUCKY DUCK and begin the game by selecting from one of 2 levels on the title screen- Easy or Hard. If you want to reload a previous game, select the wrench icon which will bring you to the options screen. Waiting 30 seconds at the title screen without touching the controller will begin a demonstration of the game.

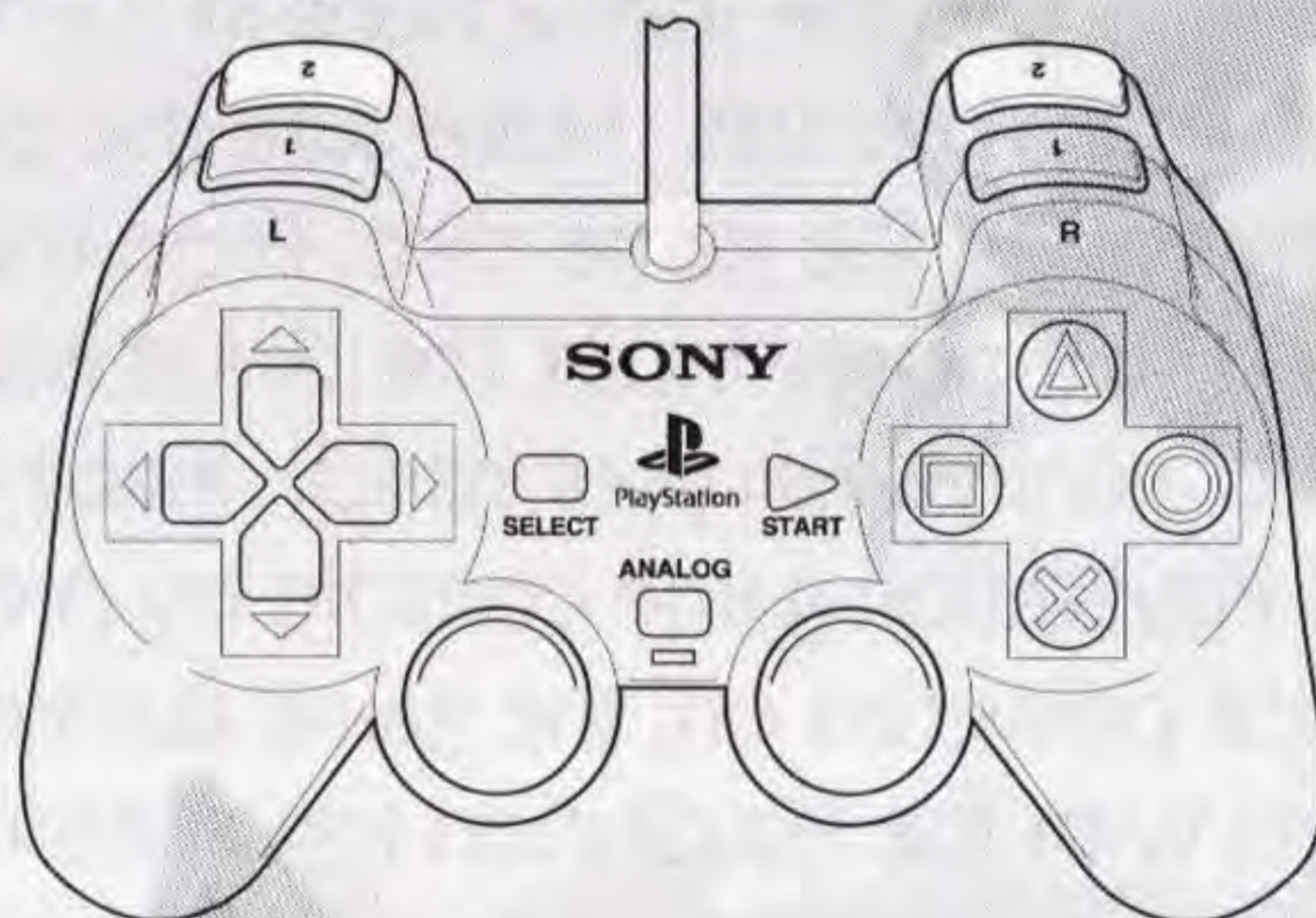




For detailed information on gameplay and special moves, please refer to page 8.

## When using the Dual Shock™ Analog Controller

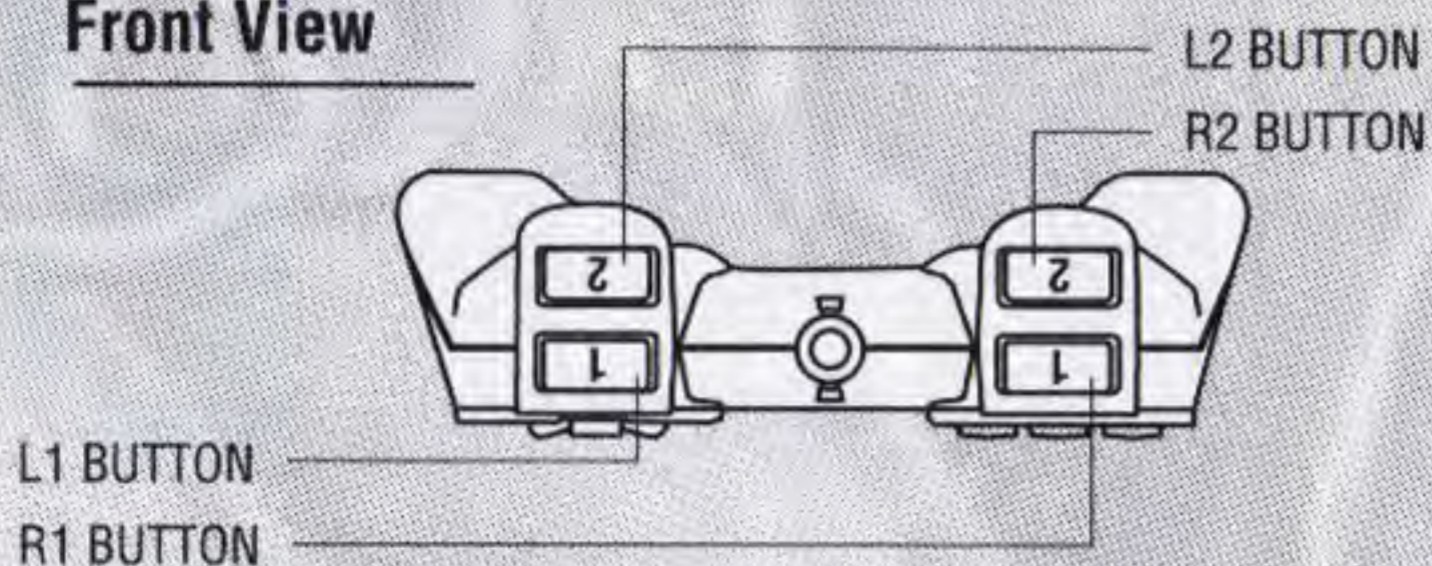
The analog stick controls PLUCKY walking and running as well as controls the viewer in the game worlds.



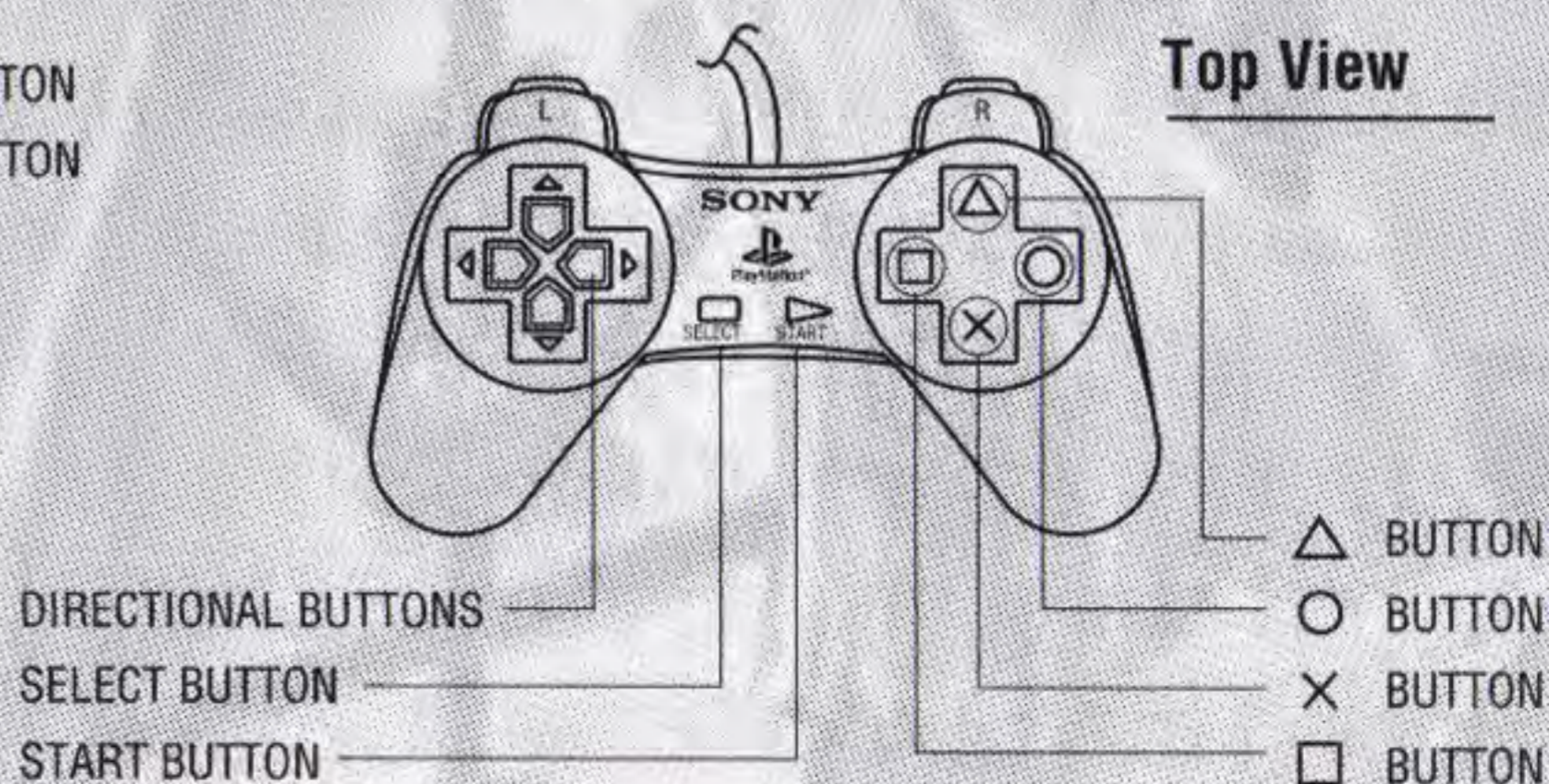
**Dual Shock™ Analog Controller**

## Controller

### Front View



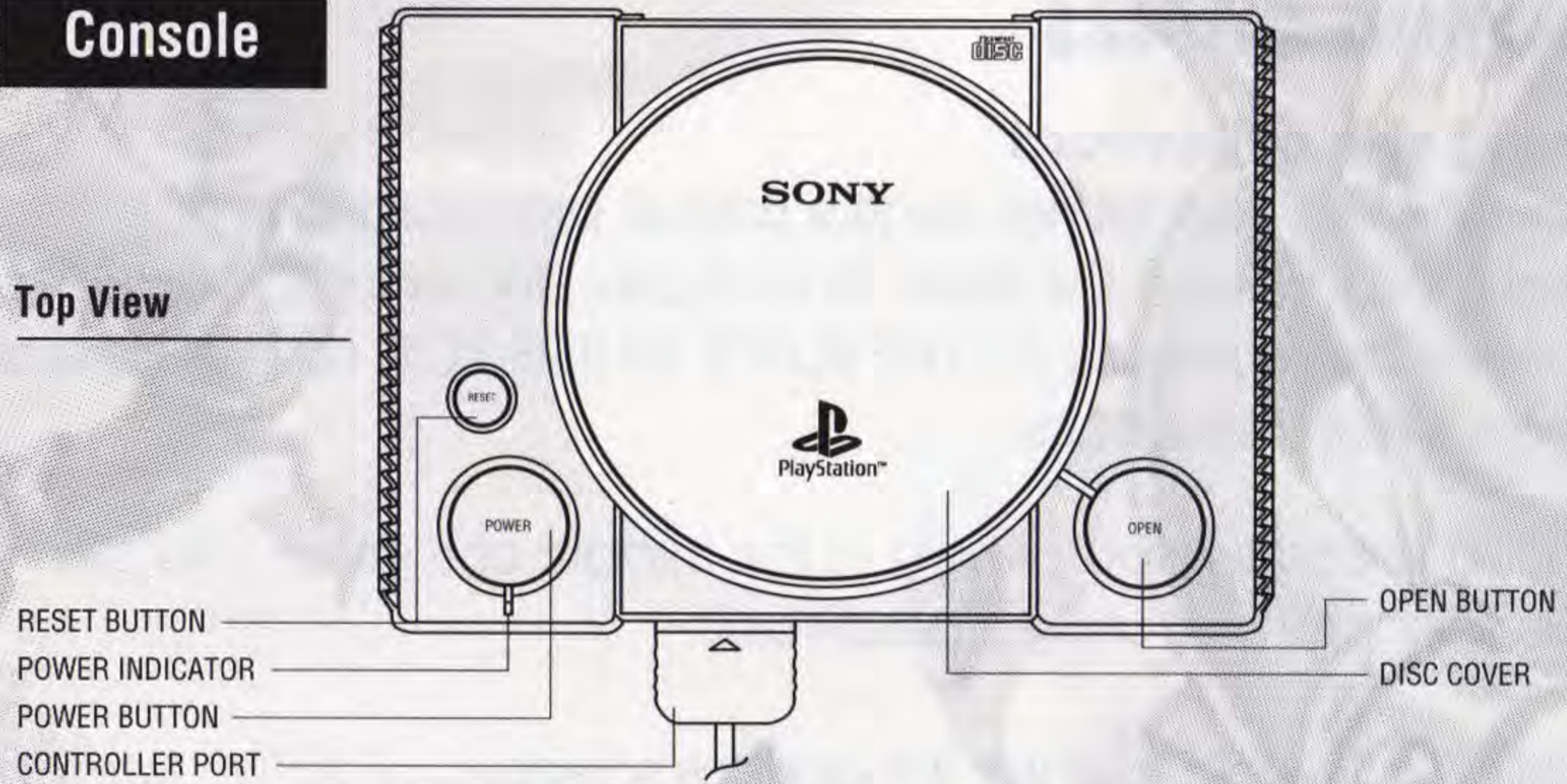
### Top View



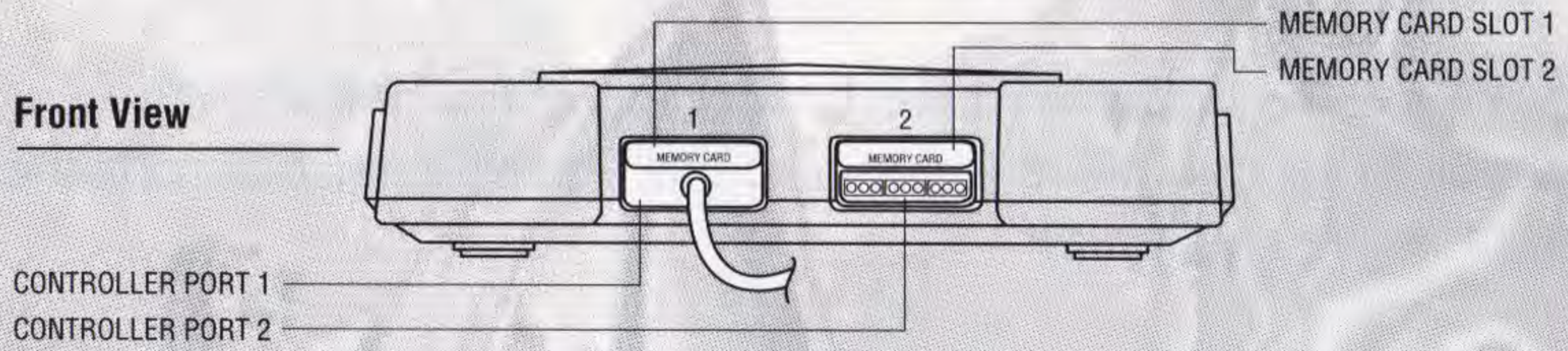


# Console

## Top View



## Front View





# SAVING GAMES

## Saving with a Password

You may save your games using a unique password system.

If you need to leave the game in mid-play, and want to come back to it and begin playing **AT THE PLACE WHERE YOU LEFT OFF**, please follow these instructions:

**1.** If you need to stop playing in the middle of a game, you can save your progress using a password.

**6** **2.** Hit Start/Select to enter the options screen.

**3.** Your current password will be located at the bottom of the screen in yellow. Write it down so that you can see it to continue from where you left off.

**4.** When you want to continue a game from the last time you played, press Start/Select to go to the options screen.

**5.** Just above your current password is the Enter New Password menu. It is shaded green. Select Enter New Password by pushing "right" on the control.



**6.** Press RIGHT or LEFT arrows to scroll through the characters and then press the UP or DOWN arrows to change characters to match your password.

**7.** Press X or O to confirm the password you have entered. You will now be taken back to the game where you left off.

NOTE: Each time you play and make progress you must follow the steps above to save your game and get a NEW password.



# BASIC CONTROLS

## Beanstalk Directional Buttons:

X	Makes PLUCKY jump.
Right	Moves PLUCKY Right.
Left	Moves PLUCKY Left.
Down	Makes PLUCKY squat down.
Down Left	Makes PLUCKY roll Left.
Down Right	Makes PLUCKY roll Right.
R1 or L1+Left	Makes PLUCKY run Left
R1 or L1+Right	Makes PLUCKY run Right
Select or Start	Toggles you to the Option Screen or returns you to The Great Beanstalk.



## OBJECT OF THE GAME

You will navigate BUSTER BUNNY and PLUCKY DUCK through nine wacky fairy tale adventures to earn the **3 KEYS** for the Giant's Castle to retrieve the chicken that lays the golden eggs, a bag full of gold, and the magical flying golden harp. Within each fairy tale land, BABS BUNNY gives you hints on how to find **3 PIECES** that will make up 1 complete key. If you forget her hints, simply



click on the magic speaker that appears on the screen in game worlds to repeat her hint. Use the Key Status Icon at the bottom of your screen to keep count of your pieces.

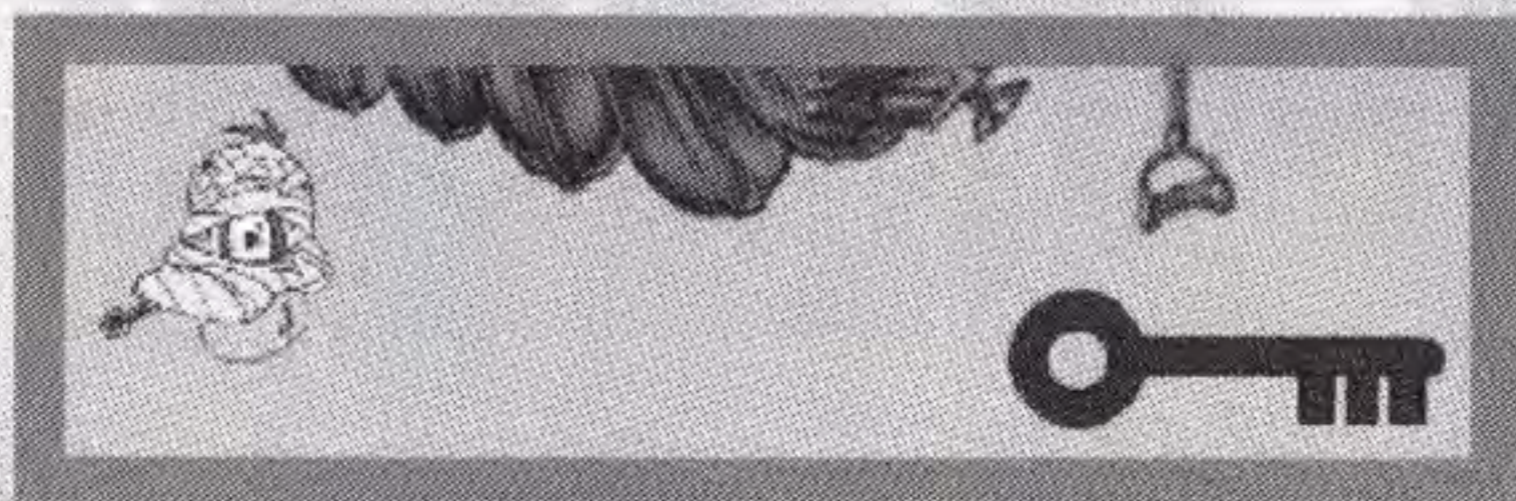
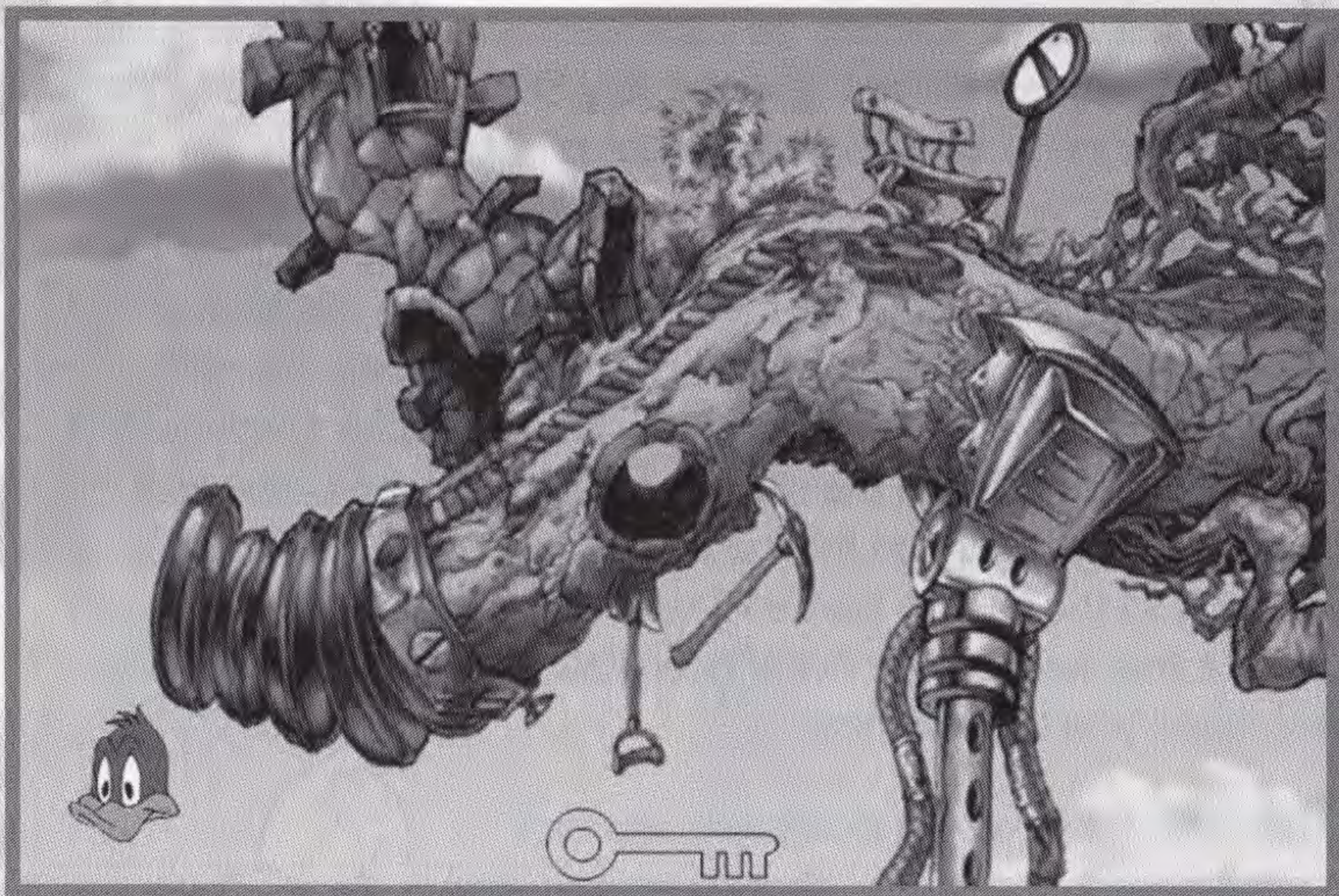
As you and your pals make your way through the lands of The Great Beanstalk™, watch for the dropping anvils, exploding bombs, and other exciting hazards that will knock you off The Great Beanstalk. To get up to higher beanstalk levels watch for buttons inserted in the stalk. A button is always next to a launching pad. Step on the button and as quickly as you can, jump on to the launch pad and wait to be launched. Whenever you are knocked off the Great Beanstalk, you will lose the last key piece you've obtained.

Only when you have a complete key can you approach the castle door to retrieve the ill-gotten goods. You need to have retrieved all 3 treasures to win the game. Do try playing again, since every time you play the clues and the key piece hiding places change, so it is never the same quest twice!





10





## **PLAYER STATUS**

The PLUCKY Health Meter, displayed at the bottom of the screen, monitors PLUCKY DUCK's condition throughout the game. Each time he is hit by a hazard his conditions worsens. He has 4 conditions: Perfect, Bad, Real Bad, and Call the Ambulance (see page 10). The Key Status Icon reports the number of pieces you have as you solve a key's puzzle.

## **DIFFICULTY LEVELS**

The game consists of two difficulty modes- Easy and Hard. In the Easy mode, BUSTER BUNNY guides you and PLUCKY DUCK up The Great Beanstalk™ between the fairy tale lands with the help of BABS BUNNY's mind-boggling clues. In the Hard mode, you and PLUCKY make your way up The Great Beanstalk with assistance from BUSTER BUNNY and with even more challenging clues from BABS BUNNY. This mode include hazards that are harder to avoid.

11

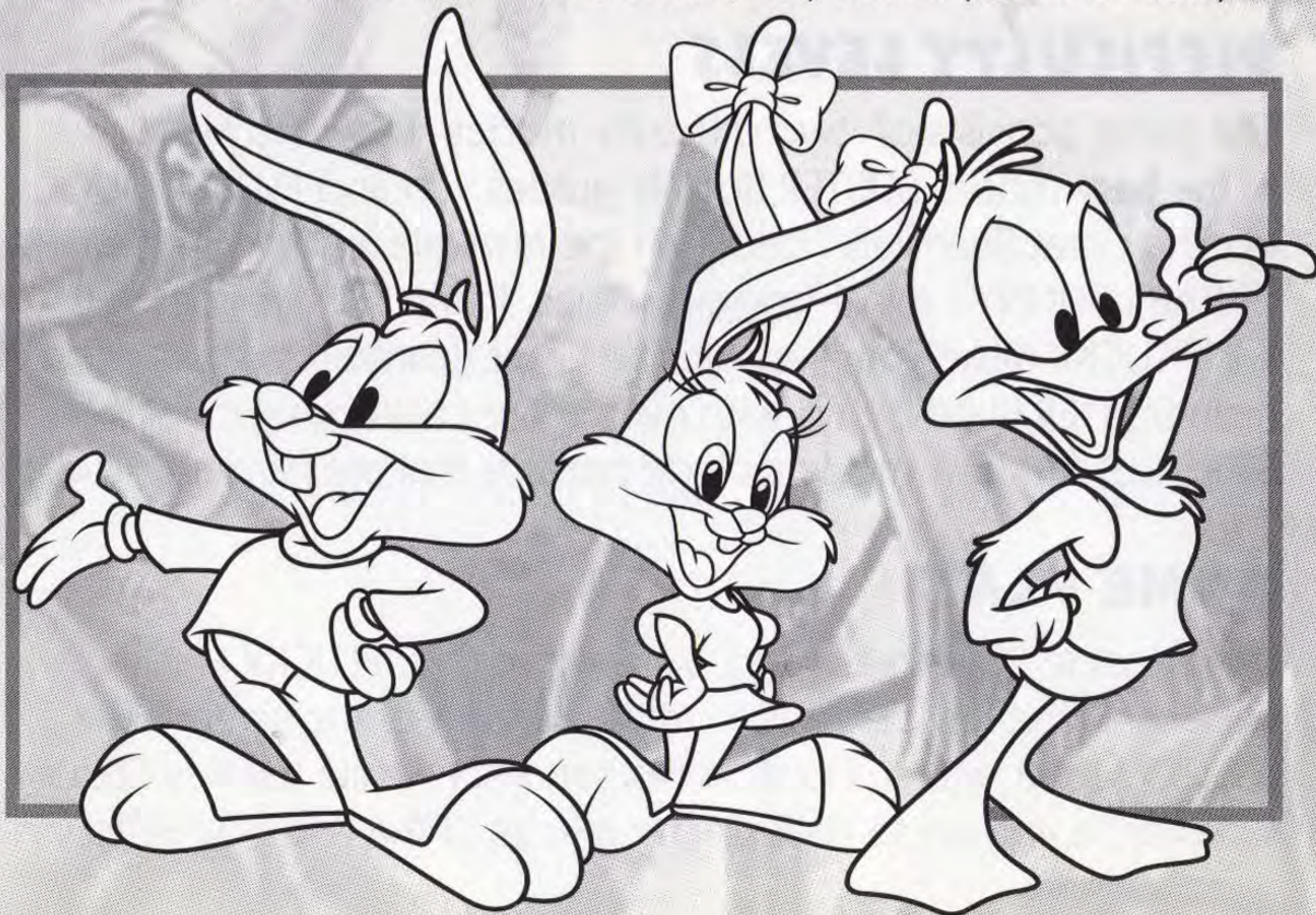
## **GAME PLAY**

Once inside the game world, you will see the PLUCKY Health Meter and the Key Status Icon at the bottom of the screen. The PLUCKY Health Meter monitors his condition while the Key Status Icon keeps you up to date on the pieces of the key you've found.



When playing, you need to find the 3 pieces to make up each key. You'll start with the BLUE KEY which, when assembled, allows you to enter the castle and rescue the chicken that lays the golden egg. You will then find the 3 pieces to make up the RED KEY, to retrieve the bag of gold; when you have found the final 3 pieces for the GREEN KEY, you can retrieve the magical flying harp to win the game. But be careful, if you get hit 4 times you will fall off the beanstalk and automatically lose a piece of a key.

12





## GAME WORLDS

In each game world, the host character sets the stage with a comic antic. Not every fairy tale land will contain a vital piece of the key, so you will need to explore all the fairy tale lands and then find the pieces using BABS BUNNY's crafty clues. Remember, BABS BUNNY's clues can be played back by clicking the speaker that appears within the screen.

### Host Character

Little Red Riding Hood  
The Game Show Mouth  
Goldilocks  
Cat and the Fiddle  
Humpty Dumpty  
Little Bo Peep and the Cop  
The Three Little Pigs  
The Cook

### Game World

Little Red Riding Hood Land  
Mother Hubbard's Kitchen  
The Three Bears Bedroom  
Beat-nick Lounge  
The Great Wall  
The Street Corner  
The Boat Dock  
In the Peas Porridge Diner



## PLUCKY DUCK'S PROFILE

PLUCKY DUCK is our lovable, excitable, miserable, ever failing duckling. Selfish and egotistical, he's a smorgasbord of emotions all of them beyond his control. An overwhelming (over-estimated) belief in himself and his talents are the root of his misfortune. He's so desperate to succeed, he's always undone by his own schemes. His blind ambition is the key to BUSTER BUNNY's success in conning PLUCKY into doing his bidding.

14 Thanks to his green plumage, PLUCKY DUCK can blend into any leafy background. That's only one of his trademarks. Whenever he's attacked, or the victim of an explosion, his beak gets rearranged on his head. Even a sneeze can trigger a similar migration. Feathers fly when he's furious. When frustrated, he pulls out handfuls of feathers from his head as if they were hair. When the dust settles, PLUCKY always seems to be the one who's flattened.





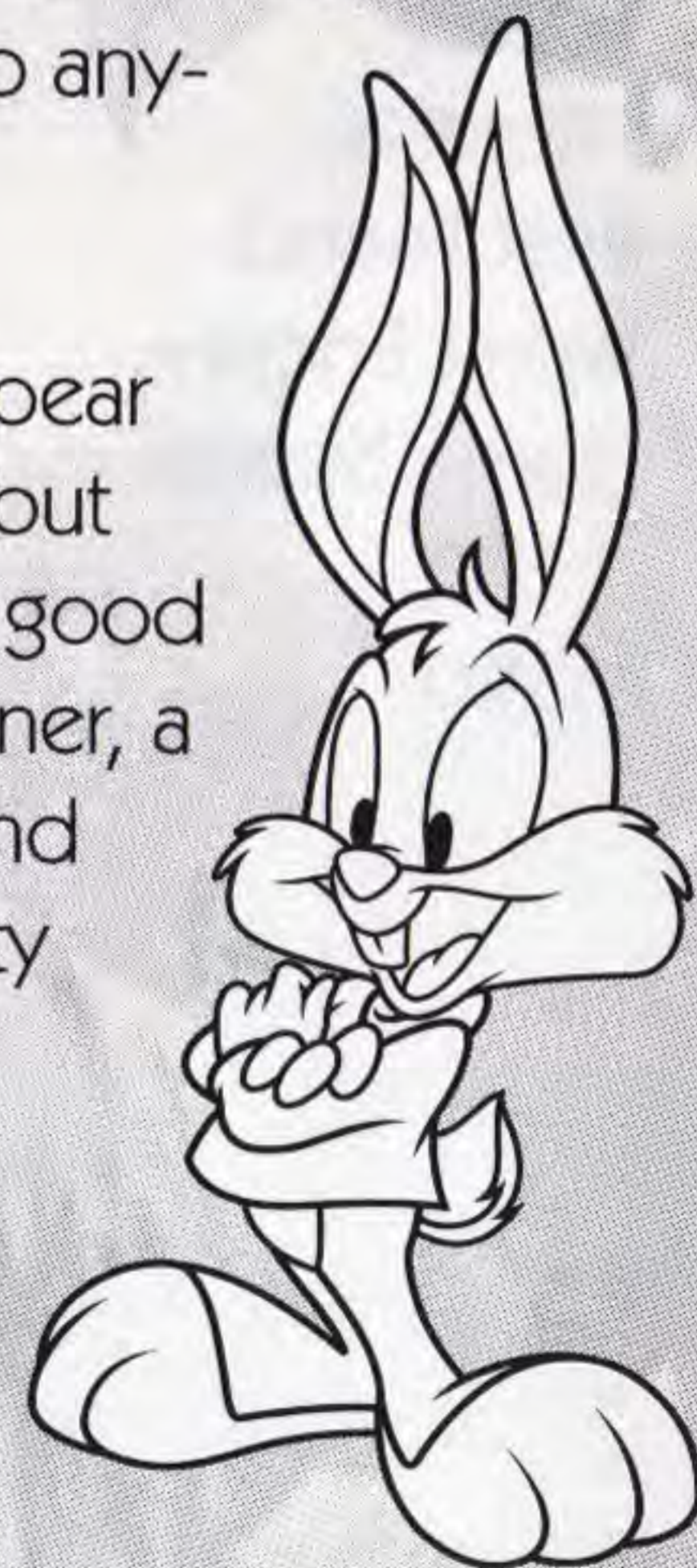
Quotable Quip: "Give me a break!"  
Age: 14  
Goal in Life: Wealth, fame, power and comfort.  
Strength: An overwhelming belief in himself and his talents.  
Weakness: He's a dreamer with a total inability to finish a job.  
Voted: Duck most likely to stress out.  
Interests: Anything that will promote his own success.  
Best Friend: Himself  
Worst Enemy: Himself  
Home Scene: A house of reeds on a tiny island in the middle of Acme Swamp.  
Motto: "If at first you don't succeed, give up."



## **BUSTER BUNNY'S PROFILE**

BUSTER BUNNY is the center of our solar system. Fun loving, fast moving, big footed, BUSTER is the unquestioned group leader and king of the hill. With a wink and a laugh he leads us in and out of trouble. Catalyst and glue, BUSTER's the all-American charmer whose energy and ideas propel us along and holds the troops together. He is, in short, what every kid wants to be: a fun-loving mischief maker who can rope us into anything, yet never take the fall.

**16** You'll find him smarter than his foes. He may appear as friendly and naive, occasionally even clumsy, but he's always a step ahead. He bubbles over with good values even when he's pulling stunts. He's a winner, a defender of the little guy, a nemesis to villains, and someone who's not afraid to poke fun at authority and stick up for his friends.





BUSTER BUNNY and BABS BUNNY are friends and kindred spirits. It's BUSTER's charms that tempt BABS into joining him on his adventures. He has her number, just as she has his. Together, they make life in Acme Acres anything but routine.

Quotable Quip: "Welcome to the nineties."  
Age: 14  
Goal in Life: To have more fun than humanly possible.  
Strength: Can talk anybody into anything.  
School Activities: Captain of any sports team he joins.  
Excels at anything requiring speed.  
President of most clubs.  
Best Friend: BABS BUNNY  
Worst Enemy: MONTANA MAX  
Interests: Ripe carrots, sports and goofing off with his friends.  
Pet Peeves: Homework, bullies and braggarts.  
Home Scene: The only child of working parents, he lives in a warren beneath a tree stump in Acme Forest.  
Motto: "Never underestimate the little guy."



# CREDITS

## EXECUTIVE DIRECTOR

Richard Thorn

## LEAD PROGRAMMER

Christian Gustafsson

## PROGRAMMING

Edward Gaul

Adam Yellen

## MUSIC/SOUND DESIGN

Eddie Heidenreich

Michael Connelly

## LEAD ANIMATOR

Stuart Holgate

## ANIMATION

Barry Crain

Bradley Gibbs

Stuart Holgate

Joseph Sz wajkowski

Richard Thorn

TerraGlyph Dublin/Madrid

## DIGITAL ANIMATION

Cara Bukovski

Ryan Gwynne

Jason Kribs

Nick Muntean

Richard Thorn

## BACKGROUNDS

Barry Crain

Bradley Gibbs

Richard Thorn

Joseph Sz wajkowski

## DEVELOPMENT TECHNICAL SERVICES

Mark Maxon

## DOCUMENTATION

PenTech Associates

## ADMINISTRATION

Cindy Siadek

## PRODUCT TESTING

Nick Muntean

Miguel Gutierrez

## EXECUTIVE PRODUCERS/NEWKIDCO

Jonathan D. Harber

Henry A. Kaplan

Glen Rockwood

## PRODUCER/NEWKIDCO

Dan Feinstein

## MARKETING

Jean H. Lizotte

## PACKAGING DESIGN

Calo Rios/Marching Ants



TERRAGLYPH INTERACTIVE ENTERTAINMENT

Joseph Gaucher, President and CEO, TGI Studios, a Division of Terraglyph Interactive L.P.

Richard Thorn, Vice President of Creative & Product Development, TGI Studios, a division of Terraglyph Interactive Studios, L.P.

Patrick Daleiden, President and CEO, Terraglyph Interactive Studios, L.P., Interactive Media, Network Services

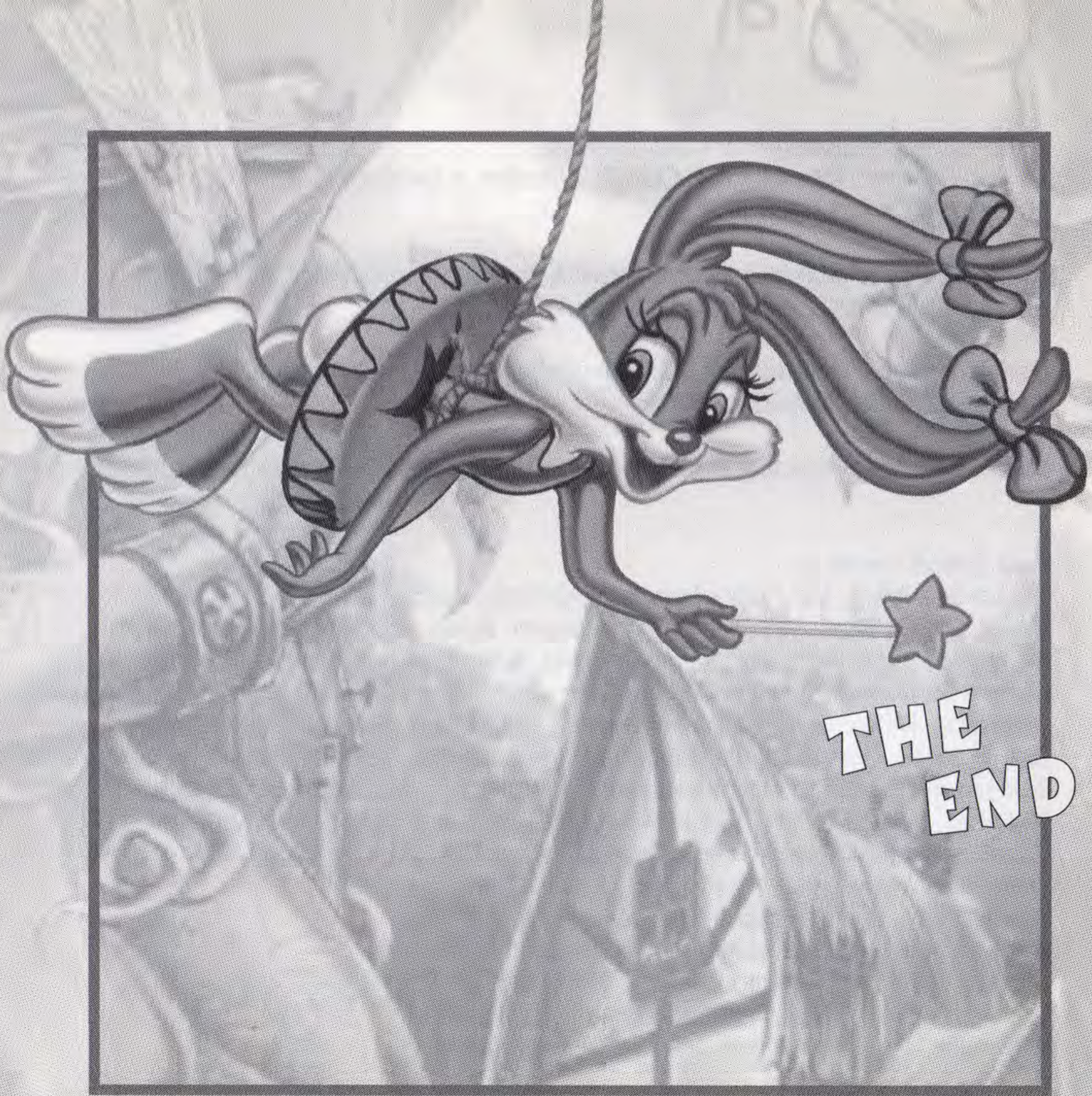
Bruce Reilly, Vice President Business Development, Terraglyph Interactive Studios L.P.

And special thanks to:

Steven Spielberg, Joe Alasky, Francisco Aliminos, Amblin Entertainment, Jake Bowls, Steven Blum, Monique Buchens, Steven Bulen, Robbie Burns, Mark Byrne, Brown Bag Films, Paul Clare, Cameron Clarke, Kevin Condrón, Mark Cumberton, Martine Cuninghame, Jennifer Darling, Steve Dean, Kieran Dowling, Christine Fluskey Des Forde, Hillary Gough, Silva Hoefnagles, Gillian Hunt, Gema Ingelmo, Barbara Goodson, Nick Jameson, Stella Kearns, Linda Kellegher, Steve Kramer, Pearse Love, Kerrigan Mahan, David Mallow, Mona Marshal, Michael McConnohie, Margaret McKenna, Eddie Mirman, Bernie Moley, Borja Montora, Trevor Murphy, Gavin Murphy, Janette Owens, George O'Shea, Peadar O'Reilly, Brian Peck, John Phelan, Thomas Pinto, Jr., Tony Pope, Premier Films, Simon Prescott, Jan Rabson, Andrea Romano, Julie Ryan, Lia Sargent, Susan Silo, SteveSmith, Douglas Stone, Kirk Thornton, Pauline Walsh, Jeff Winkless, Ray Woods, John Kassir, Tress MacNeille, Cree Summer, Intersound, Inc., Warner Bros. Interactive Entertainment







**THE  
END**



## **LICENSE AGREEMENT**

THIS END-USER LICENSE AGREEMENT ("AGREEMENT") IS A LEGAL AGREEMENT BETWEEN YOU AND NEWKIDCO LLC ("NEWKIDCO"). OPENING THE PACKAGE OF THE SOFTWARE, USER MANUAL AND/ OR USING THE SOFTWARE MEANS YOU ACCEPT THESE TERMS AND CONDITIONS. IF YOU DO NOT AGREE WITH THEM, OR DO NOT WANT THEM BINDING ON YOU, YOU MAY NOT USE OR COPY THE SOFTWARE, AND YOU MUST PROMPTLY RETURN THE SOFTWARE FOR A FULL REFUND.

### **OWNERSHIP**

The software and user manual are protected by copyright laws and international copyright treaties, as well as other intellectual property laws and treaties. The Software is licensed, not sold.

### **LICENSE**

This game is for use on the PlayStation® Game Console. Granting of this license does not transfer any right, title or interest in the software, or user manual to the Customer except as expressly set forth in this license agreement. The software and user manuals may not be copied for any reason. The Customer may not transfer or resell the software or user manual.

### **90 DAY WARRANTY**

NewKidCo LLC warrants for a period of 90 days from the date of purchase by the original purchaser of this software that the medium on which it is recorded will be free from defect in materials and workmanship. Defective media which has not been subjected to misuse, excessive wear or damage due to carelessness may be returned during the 90-day period without charge. Please return your defective compact disc TO THE RETAIL STORE FROM WHICH YOU PURCHASED IT.

### **REMEDIES**

NEWKIDCO's entire liability and the Customers exclusive remedy is (1) the replacement of any compact disk not meeting NEWKIDCO's "90 DAY WARRANTY" above, or (2) a full refund of the purchase price if NEWKIDCO or the retailer is unable to deliver a replacement copy free from defects in materials or workmanship and the customer returns the software and user manual within 90 days of purchase as evidenced by the sales receipt. The remedies provided above are customer's sole and exclusive remedies.

### **NO OTHER WARRANTIES**

Other than the 90 Day Warranty above, the software and user manual are provided "As Is" without warranty of any kind, either express or implied. NEWKIDCO EXPRESSLY DISCLAIMS ALL OTHER WARRANTIES, EITHER EXPRESS OR IMPLIED, INCLUDING, BUT NOT LIMITED TO, THE IMPLIED WARRANTY OF MERCHANTABILITY AND THE WARRANTY OF FITNESS FOR A PARTICULAR PURPOSE, In no event shall NewKidCo LLC be liable for any direct, indirect, special, incidental or consequential damages with respect to the Software or the user manual. This Agreement and the 90 Day Warranty shall be governed by and all disputes shall be resolved in the Commonwealth of Massachusetts.



# NewKidCo

## NEXT GENERATION GAMES FOR NEXT GENERATION KIDS



Tgi Studios™

©1998 NewKidCo. All Rights Reserved. NewKidCo™ and The Great Beanstalk™ are trademarks of NewKidCo LLC. TINY TOON ADVENTURES, characters, names and all related indicia are trademarks of Warner Bros. ©1998. Licensed by Sony Computer Entertainment America for use with the PlayStation game console. Playstation and the PlayStation logos are registered trademarks of Sony Computer Entertainment Inc. Dual Shock is a trademark of Sony Computer Entertainment Inc. The ratings icon is a trademark of the Interactive Digital Software Association. Manufactured and printed in the U.S.A. THIS SOFTWARE IS COMPATIBLE WITH PLAYSTATION GAME CONSOLES WITH THE NTSC U/C DESIGNATION.

[www.newkidco.com](http://www.newkidco.com)

